



US00D476746S

(12) **United States Design Patent**
Harris et al.

(10) **Patent No.:** **US D476,746 S**

(45) **Date of Patent:** **** Jul. 1, 2003**

(54) **HAND-HELD MASSAGER**

(75) Inventors: **David Harris**, Nashua, NH (US); **Rudy Woodard**, Nashua, NH (US); **Steve Schwartz**, Nashua, NH (US); **Tim Trzepacz**, Nashua, NH (US)

(73) Assignee: **Brookstone Company, Inc.**, Nashua, NH (US)

(**) Term: **14 Years**

(21) Appl. No.: **29/166,896**

(22) Filed: **Sep. 5, 2002**

(51) **LOC (7) Cl.** **28-03**

(52) **U.S. Cl.** **D24/215; D24/214**

(58) **Field of Search** **D24/214, 215;**
601/67, 69, 70, 118, 119, 128, 129, 130,
131, 134, 136

(56) **References Cited**

U.S. PATENT DOCUMENTS

3,672,355 A * 6/1972 Ogawa et al. 601/73

D415,838 S * 10/1999 Noble D24/215
D435,913 S * 1/2001 Harris et al. D24/215
D450,853 S * 11/2001 Spalding et al. D24/215
D455,499 S * 4/2002 Kim D24/215

* cited by examiner

Primary Examiner—Stella Reid

(74) *Attorney, Agent, or Firm*—Hayes Soloway P.C.

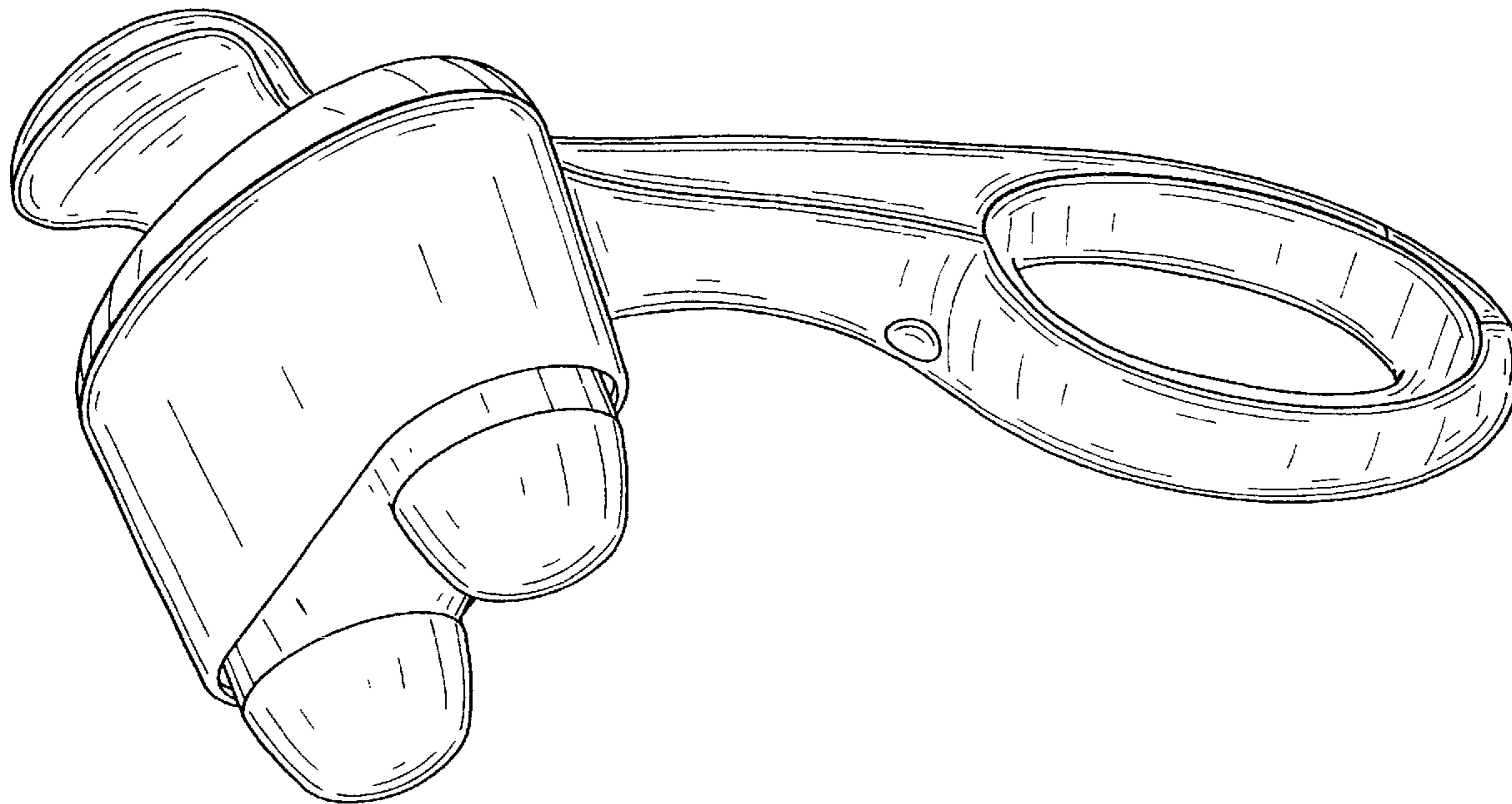
(57) **CLAIM**

The ornamental design for a hand-held massager, as shown and described.

DESCRIPTION

FIG. 1 is a top plan view of the hand-held massager in accordance with the present invention;
FIG. 2 is a bottom plan view thereof;
FIG. 3 is a left-side elevational view thereof; the right-side elevational view being a mirror image thereof;
FIG. 4 is a massage head-end view thereof;
FIG. 5 is a handle-end view thereof; and,
FIGS. 6 and 7 are respectively, top and bottom perspective views thereof.

1 Claim, 6 Drawing Sheets



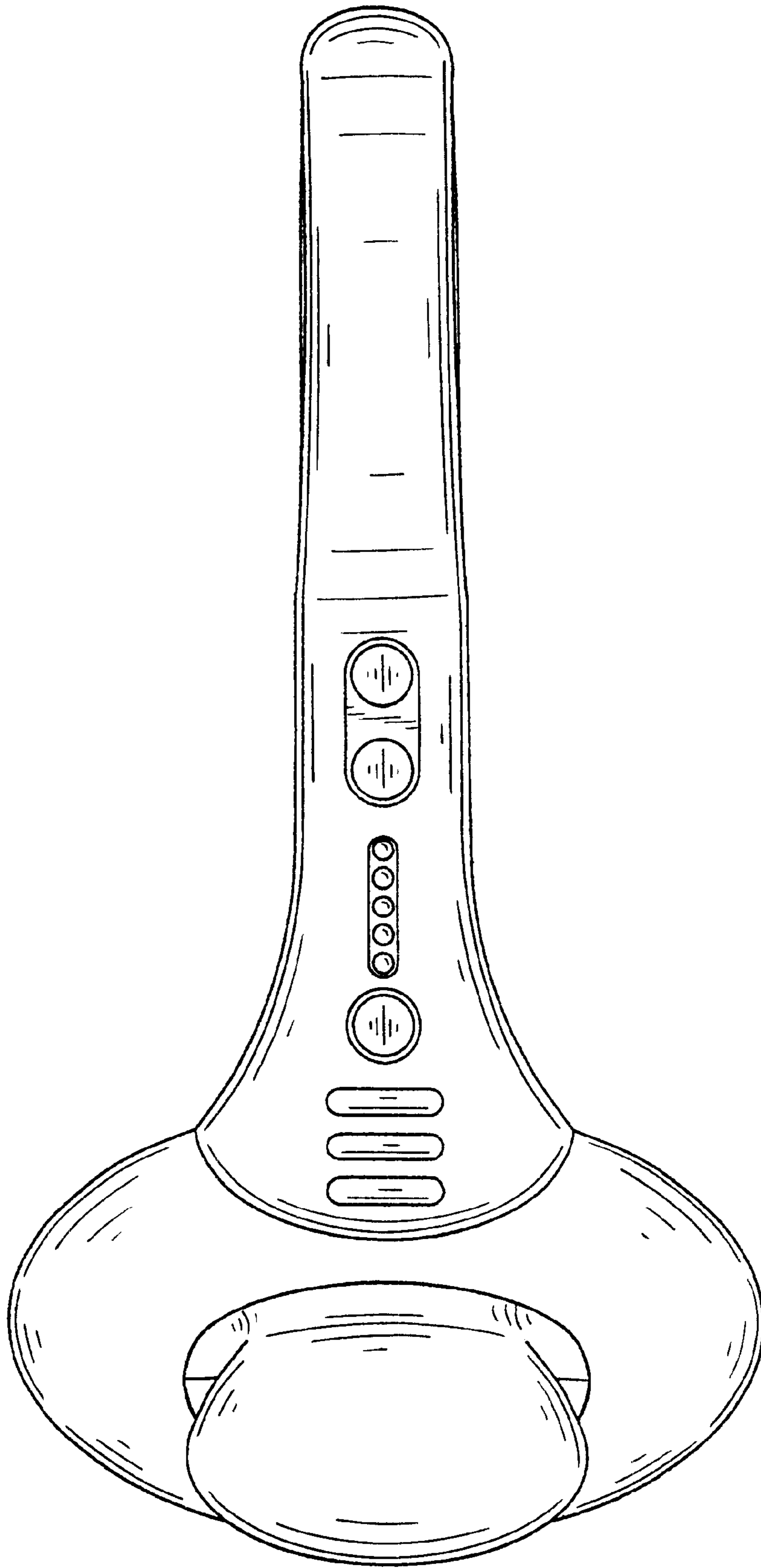


FIG. 1

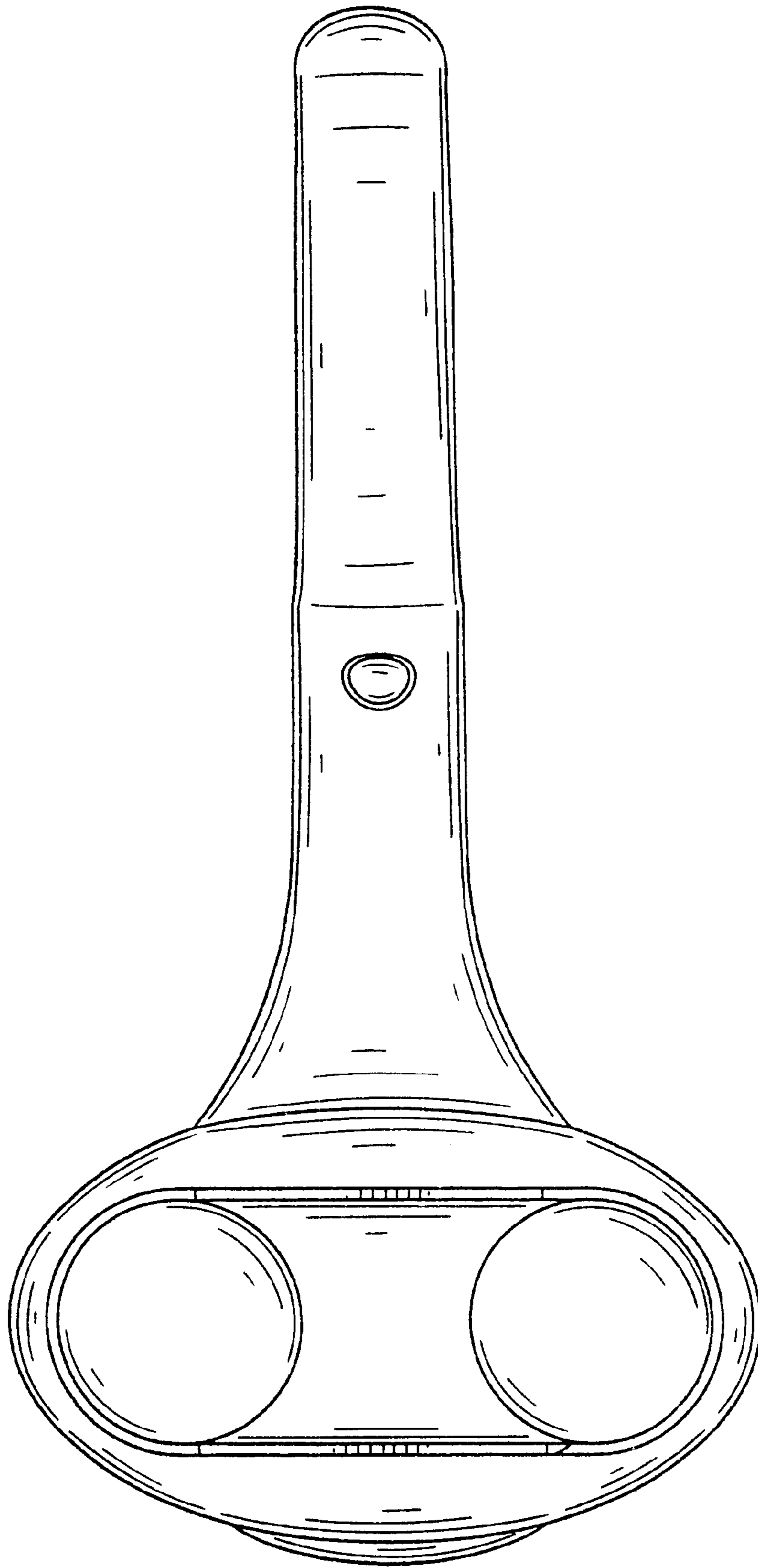


FIG. 2

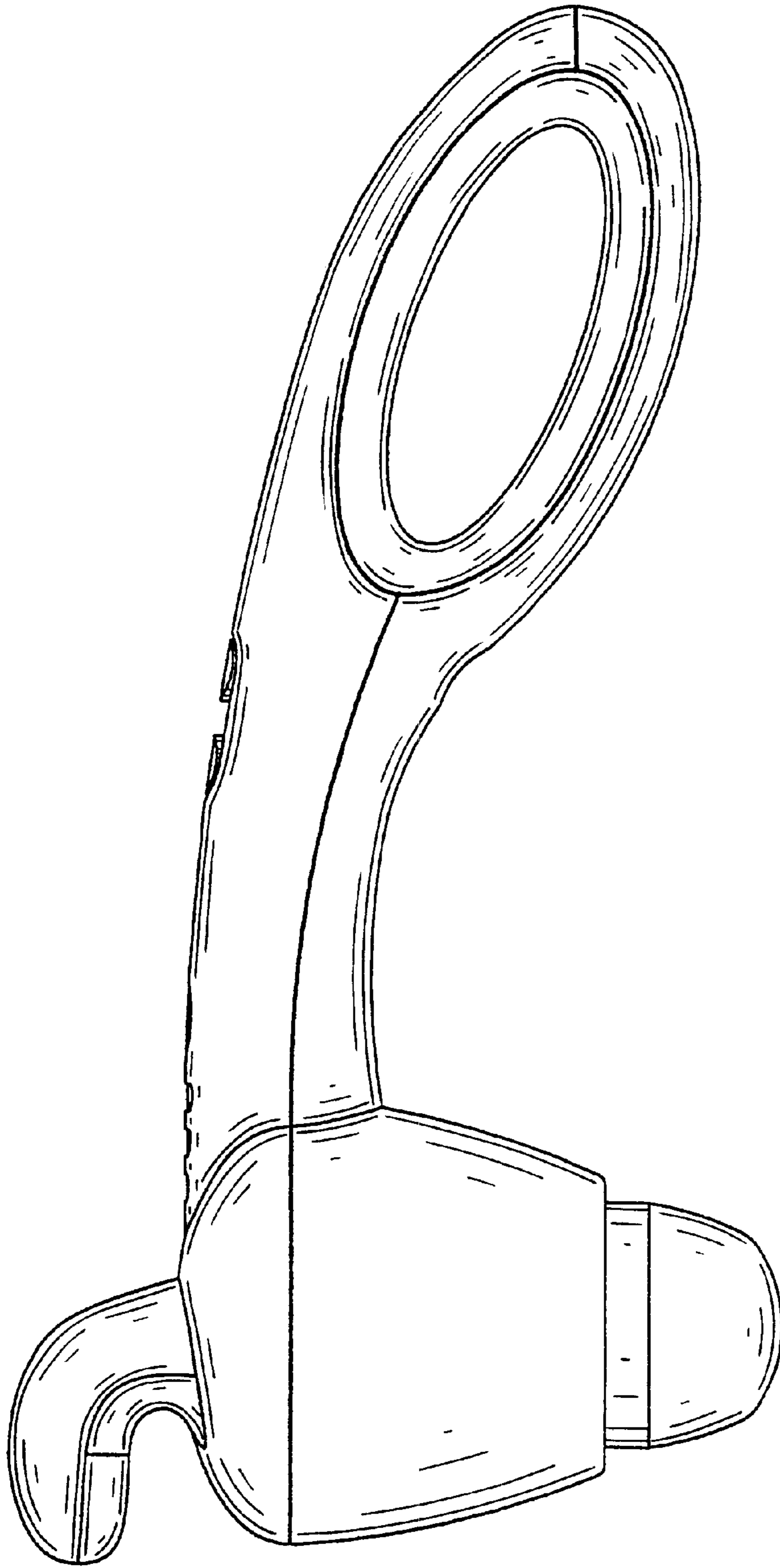


FIG. 3

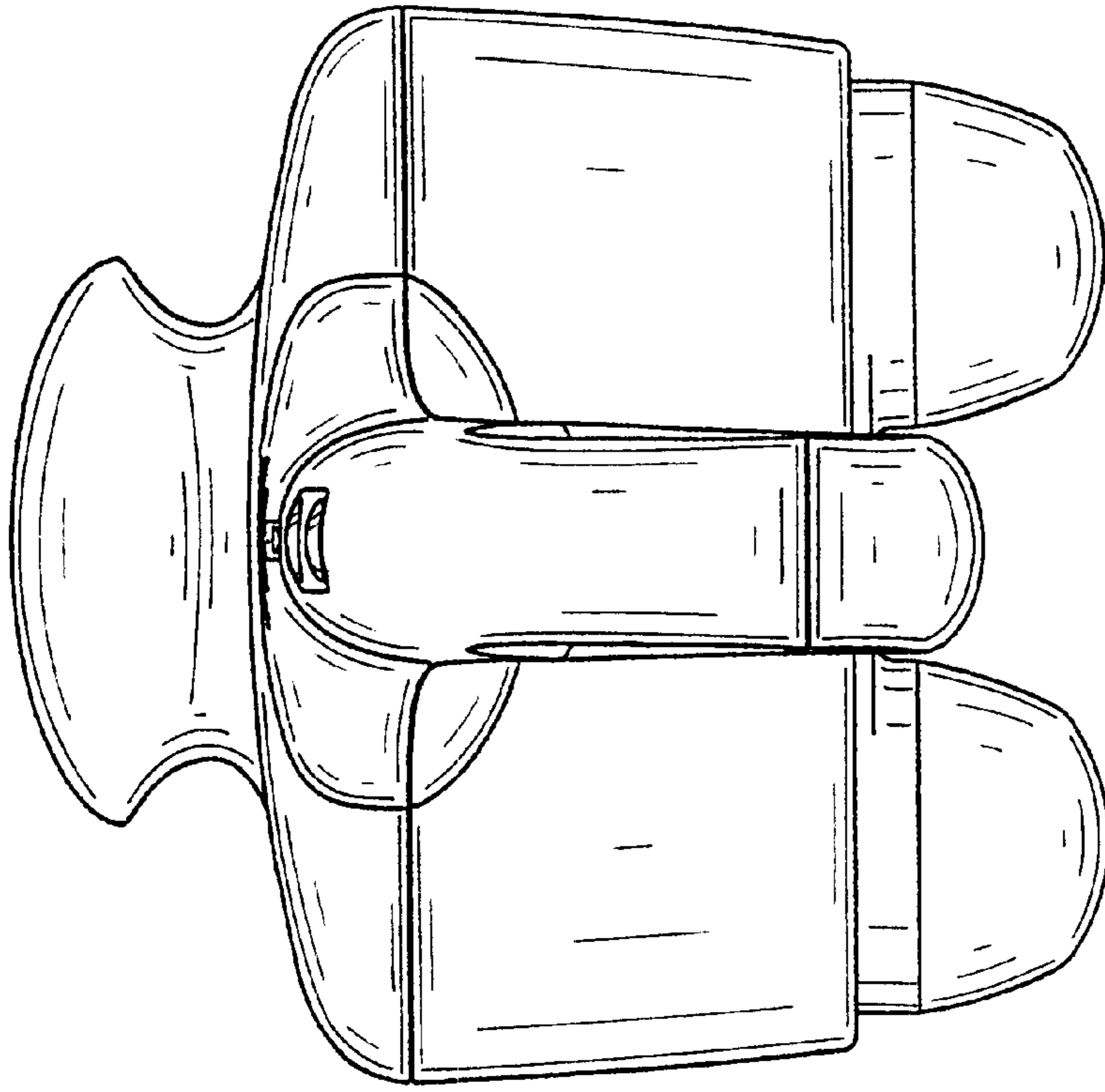


FIG. 5

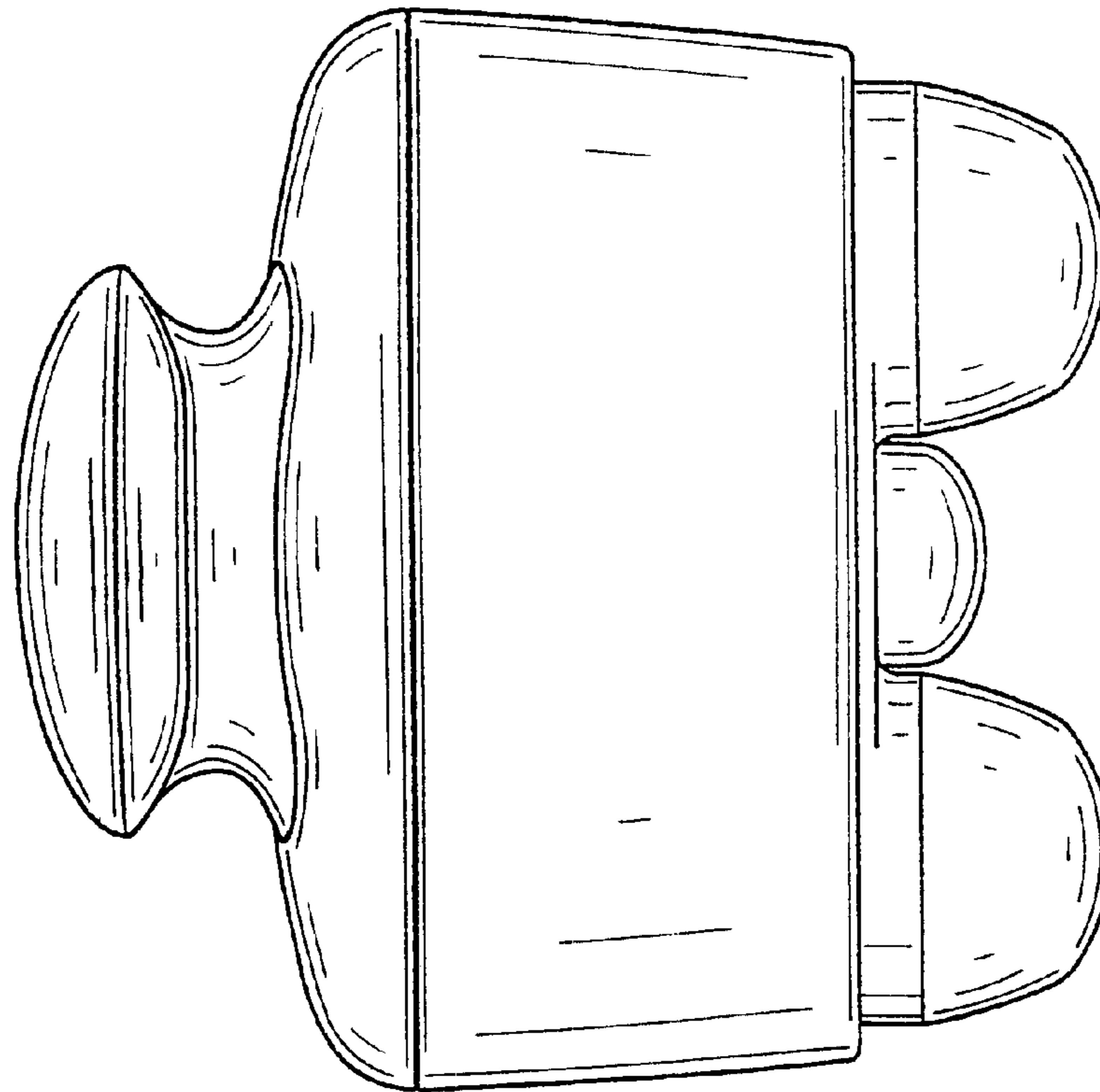


FIG. 4

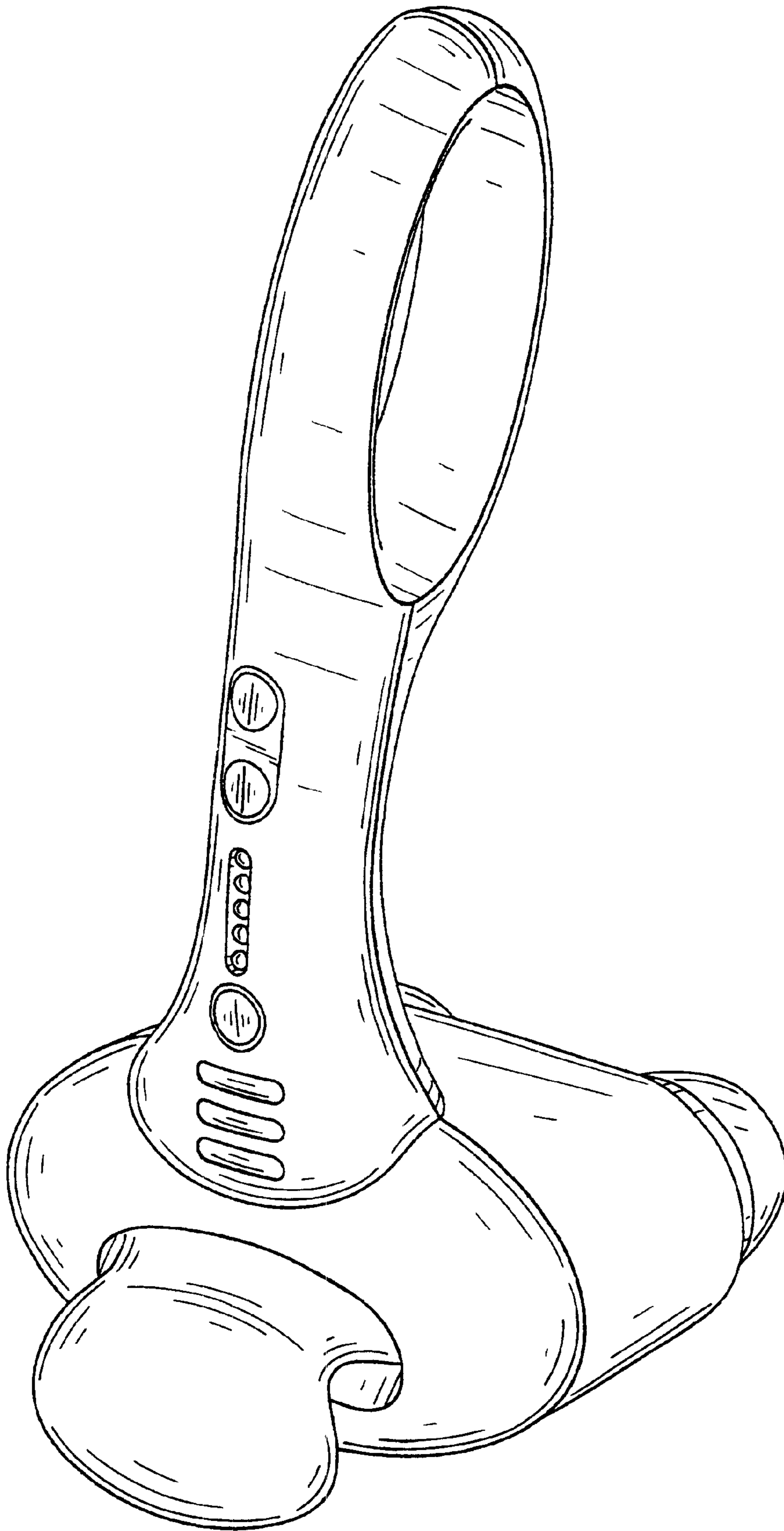


FIG. 6

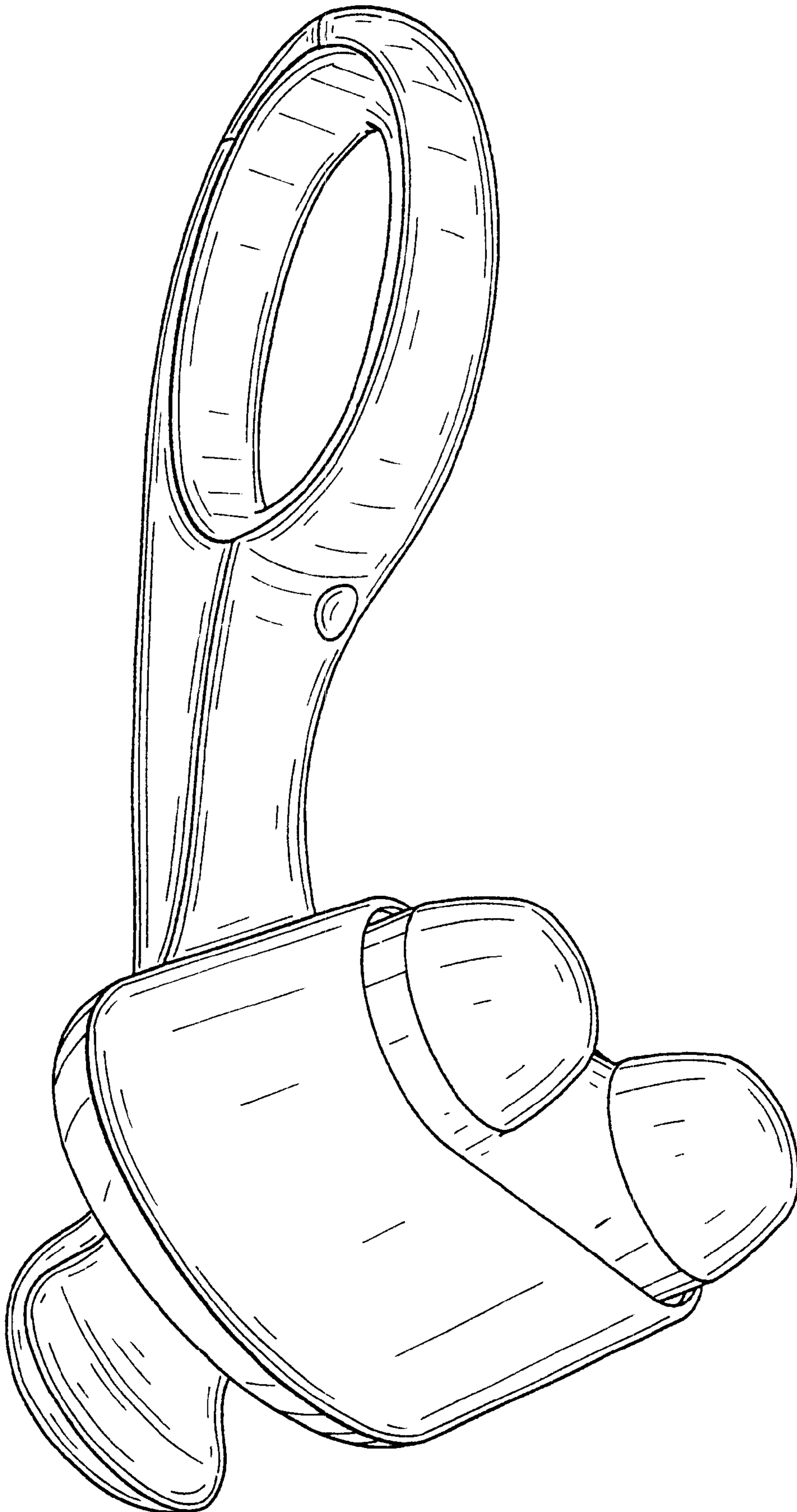


FIG. 7