



US00D476735S

(12) **United States Design Patent**
Zinnbauer

(10) **Patent No.:** **US D476,735 S**

(45) **Date of Patent:** **** Jul. 1, 2003**

(54) **UNIT DOSE CUP FOR A LIQUID
PHARMACEUTICAL FORMULATIONS**

(75) Inventor: **Gerald Zinnbauer**, Cornelius, NC (US)

(73) Assignee: **Alpharma USPD Inc.**, Owings Mills,
MD (US)

(**) Term: **14 Years**

(21) Appl. No.: **29/150,222**

(22) Filed: **Nov. 14, 2001**

(51) **LOC (7) Cl.** **24-04**

(52) **U.S. Cl.** **D24/121**

(58) **Field of Search** D24/121, 224,
D24/210; 220/359.2, 359.1, 359.4; 604/78;
206/217, 219, 19, 538

(56) **References Cited**

U.S. PATENT DOCUMENTS

1,641,317 A	9/1927	Canavello	
D287,404 S	* 12/1986	Johansson et al.	D24/121
4,951,839 A	8/1990	Kong	
4,959,051 A	9/1990	Glass et al.	
4,961,513 A	* 10/1990	Gossedge et al.	220/359.2
D328,492 S	* 8/1992	Mathis	D24/121
5,186,367 A	2/1993	Hickerson	
5,265,770 A	11/1993	Matkovich et al.	
5,553,793 A	9/1996	Klearman et al.	

5,618,004 A	4/1997	Klearman et al.	
5,695,093 A	12/1997	Lucius	
5,746,312 A	* 5/1998	Johnson	206/217
6,146,729 A	* 11/2000	Nihda	220/359.2

* cited by examiner

Primary Examiner—Ian Simmons

(74) *Attorney, Agent, or Firm*—Dickstein Shapiro Morin &
Oshinsky LLP

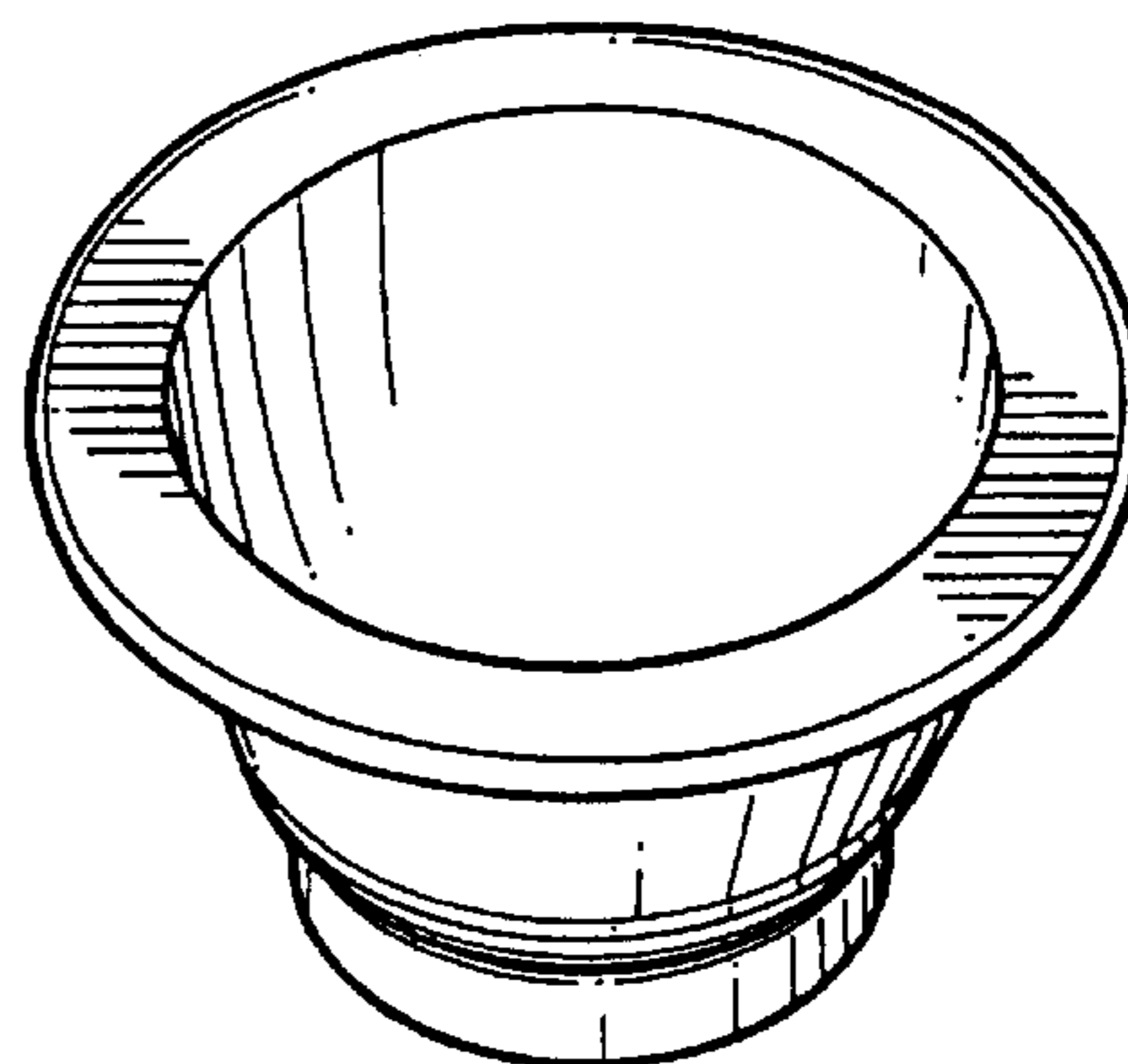
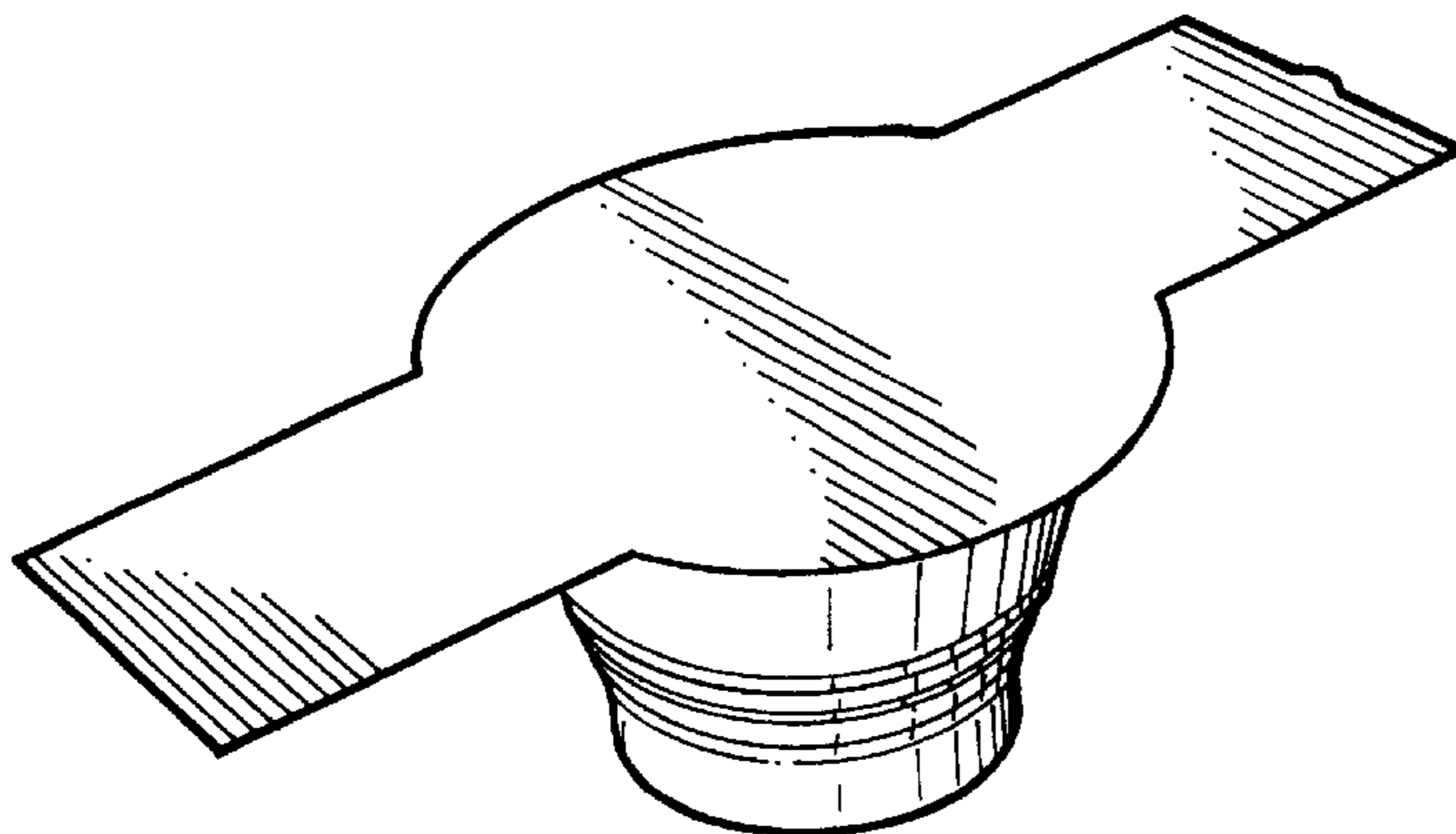
(57) **CLAIM**

The ornamental design for a unit dose cup for a liquid pharmaceutical formulations, substantially as shown and described.

DESCRIPTION

FIG. 1 is a perspective view of a unit dose cup for a liquid pharmaceutical formulations showing my new design; FIG. 2 is a side elevational view thereof, the opposite side elevational view being identical thereto; FIG. 3 is front elevational view thereof, with the lid removed, the rear elevational view being identical thereto; FIG. 4 is a bottom plan view thereof, as seen in FIG. 2; FIG. 5 is a top perspective view thereof, with the lid removed; FIG. 6 is a top plan view thereof; and, FIG. 7 is a cross-sectional view thereof, taken along the line 7—7 of FIG. 6.

1 Claim, 4 Drawing Sheets



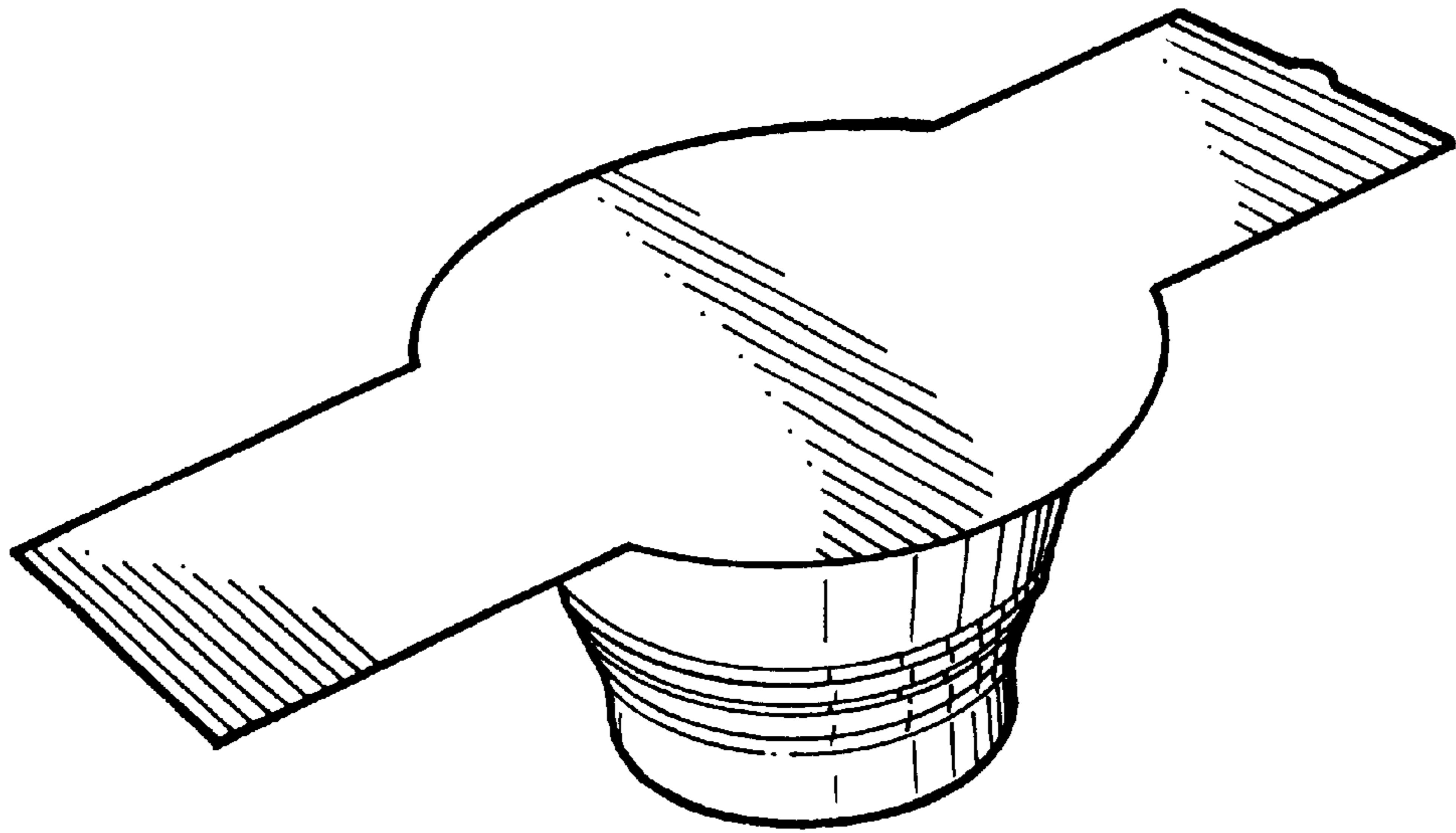


FIG. 1

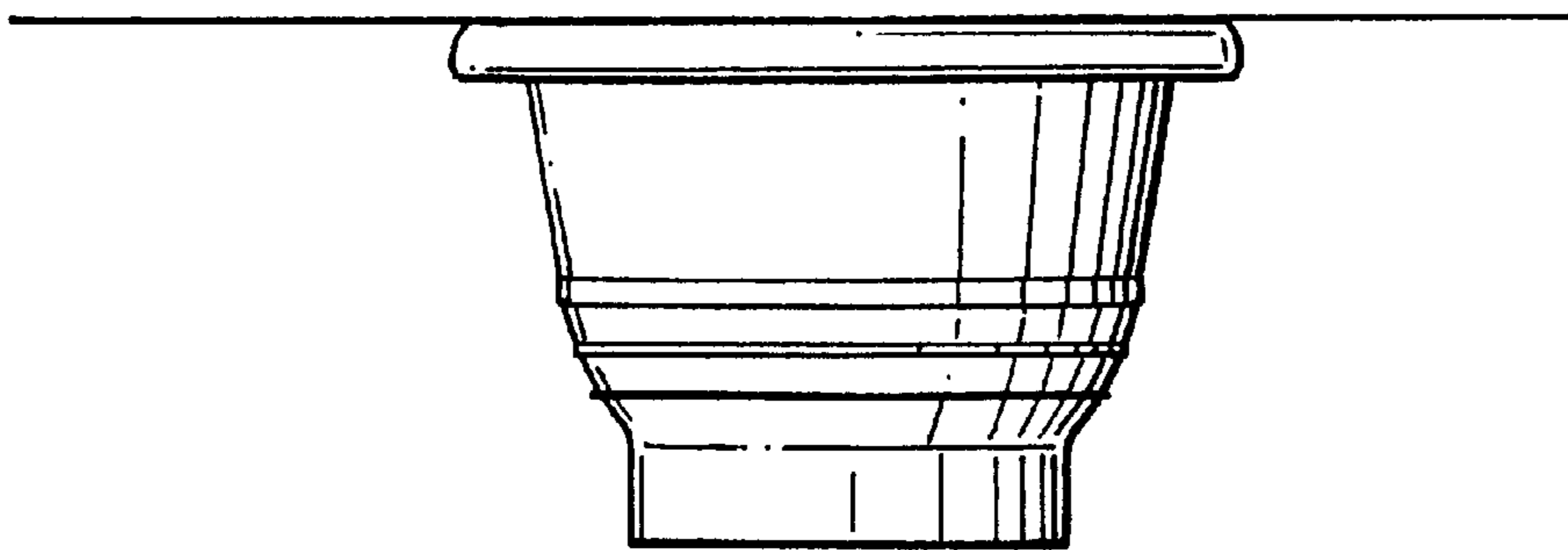


FIG. 2

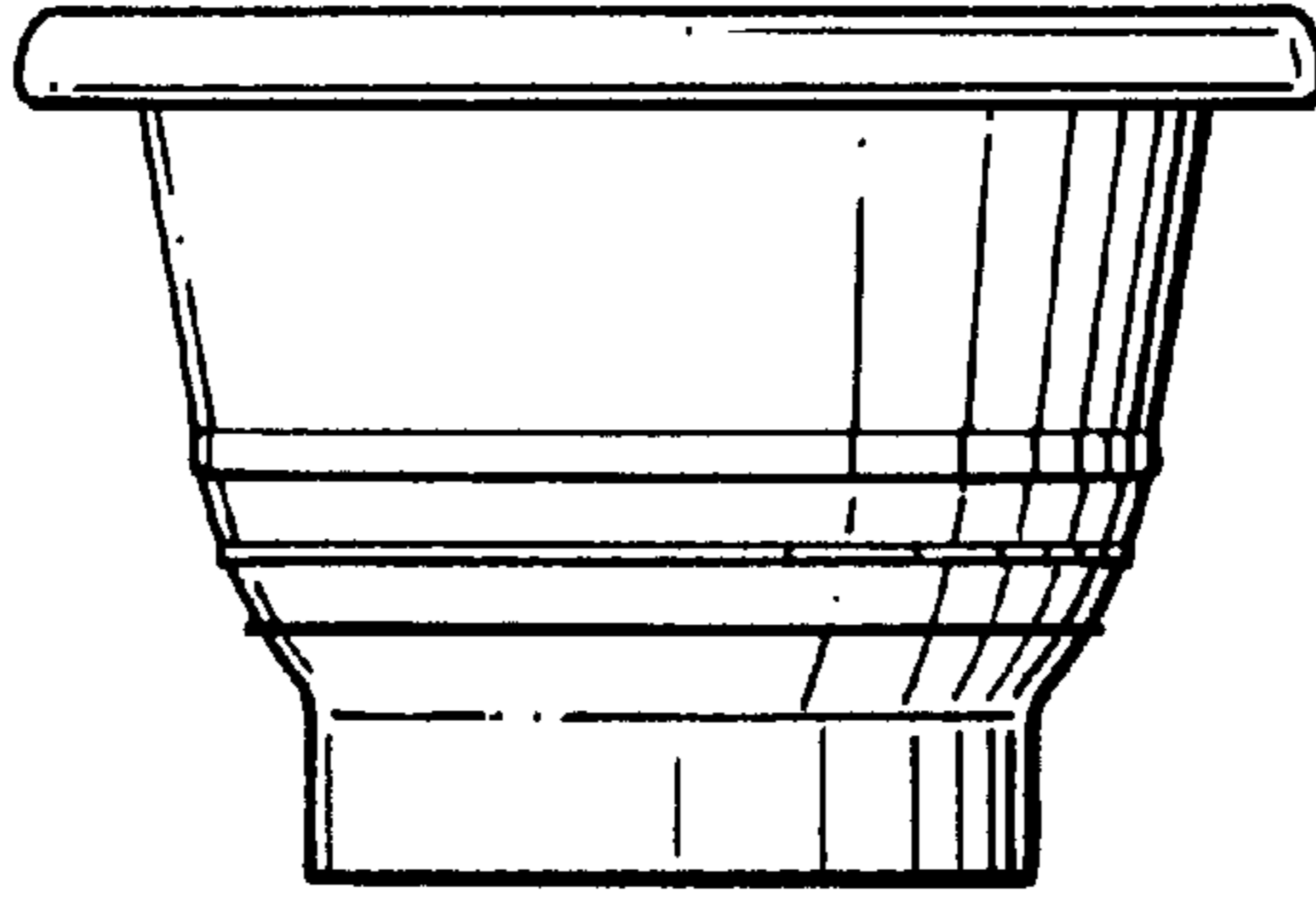


FIG. 3

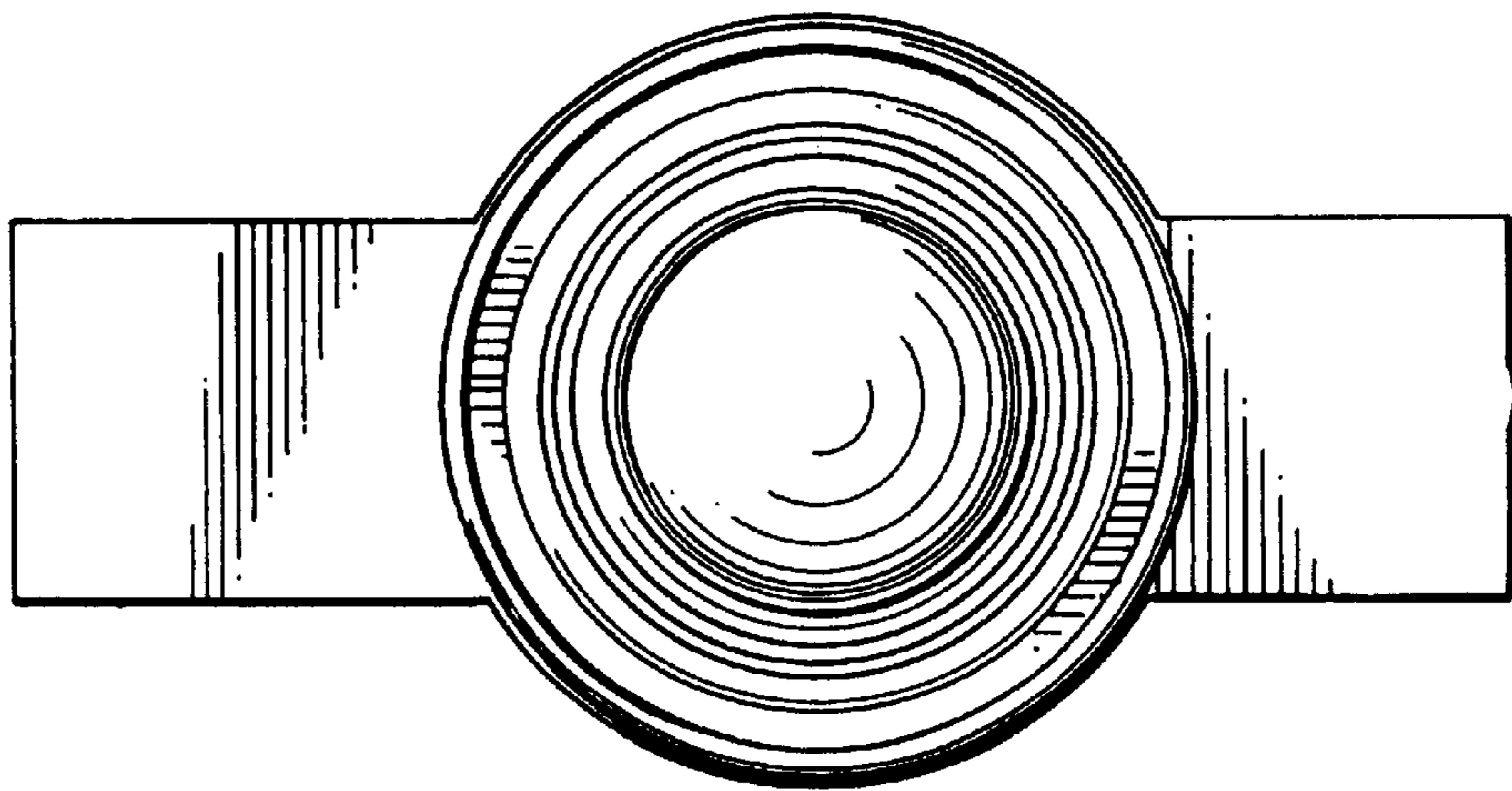


FIG. 4

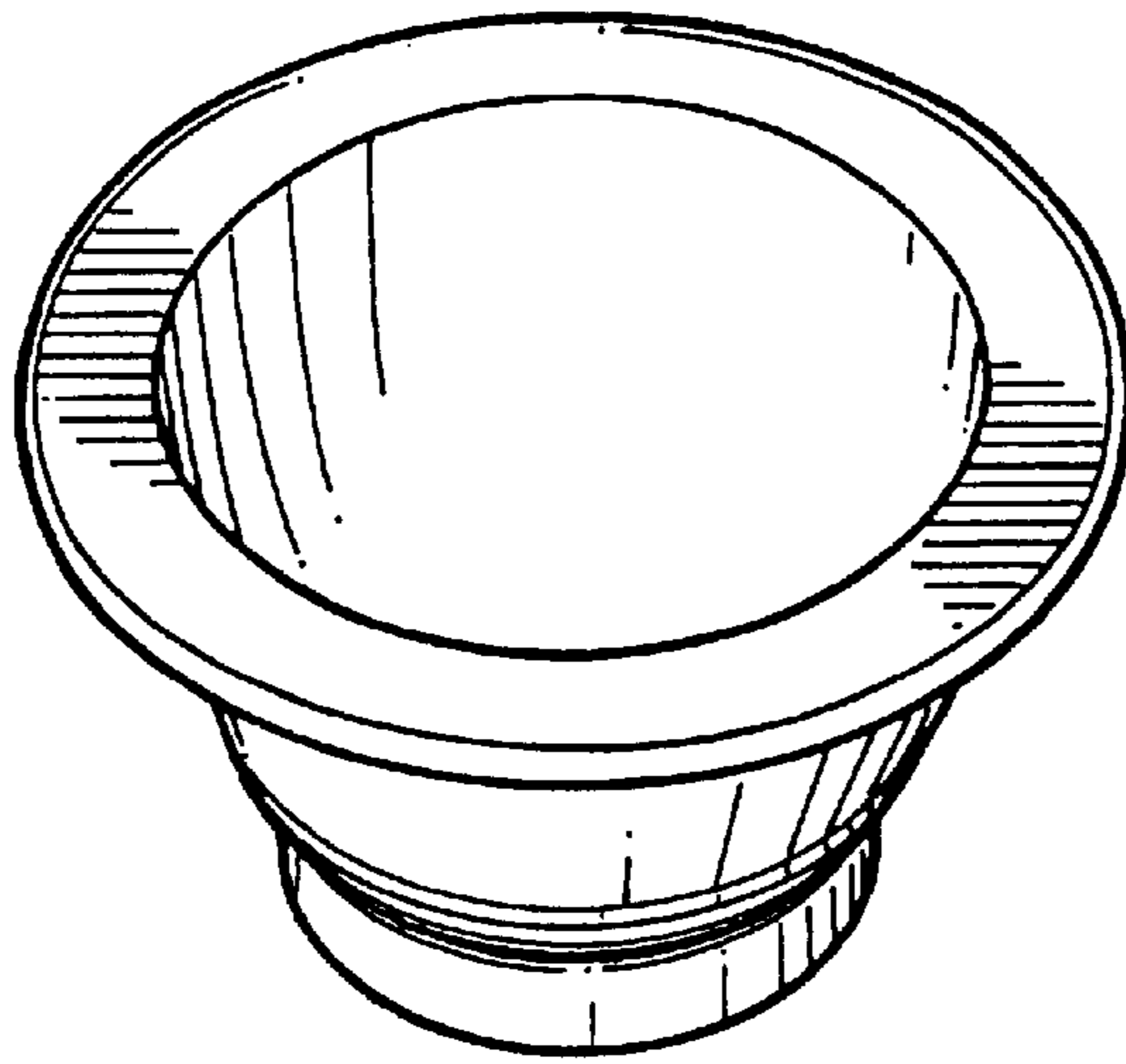


FIG. 5

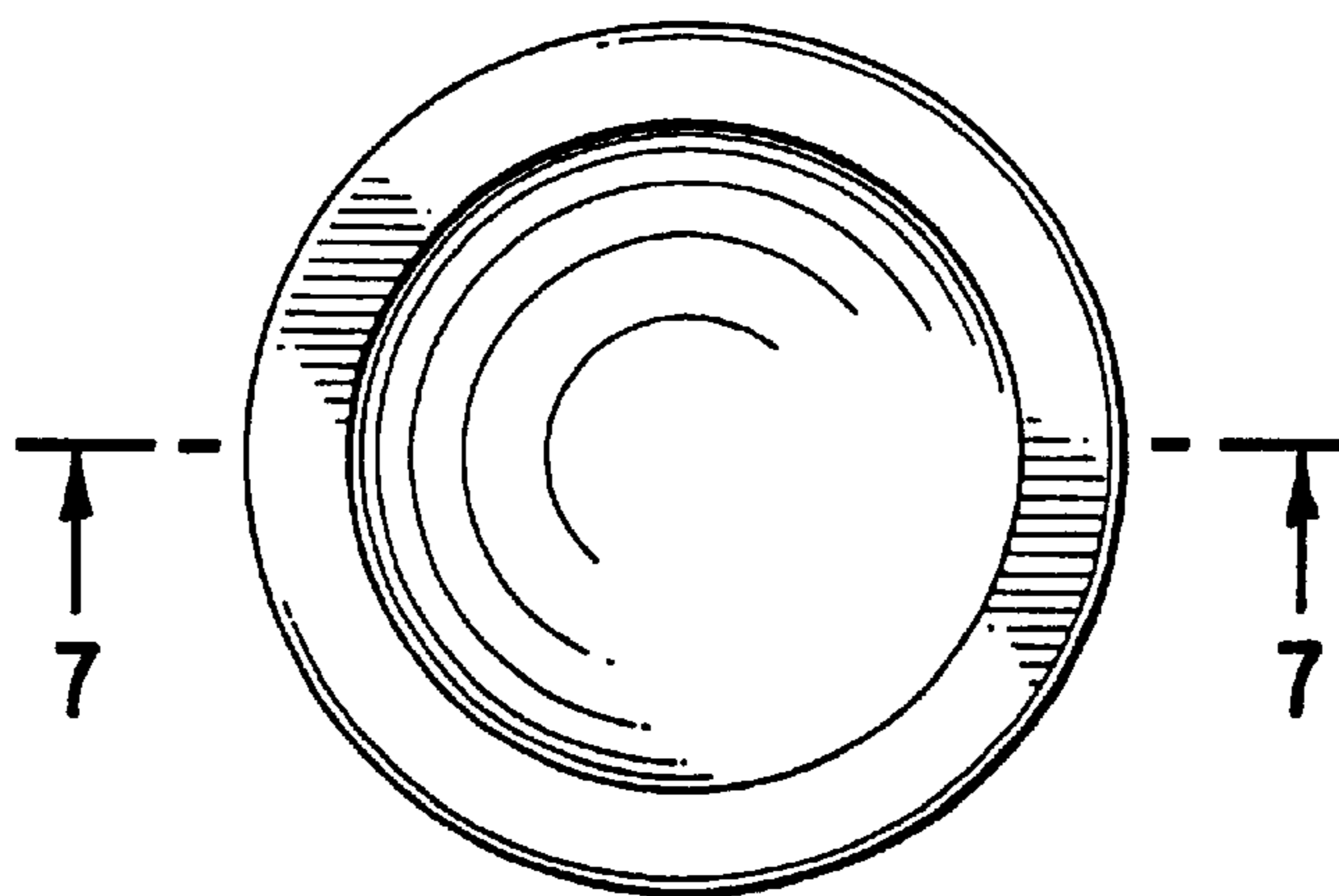


FIG. 6

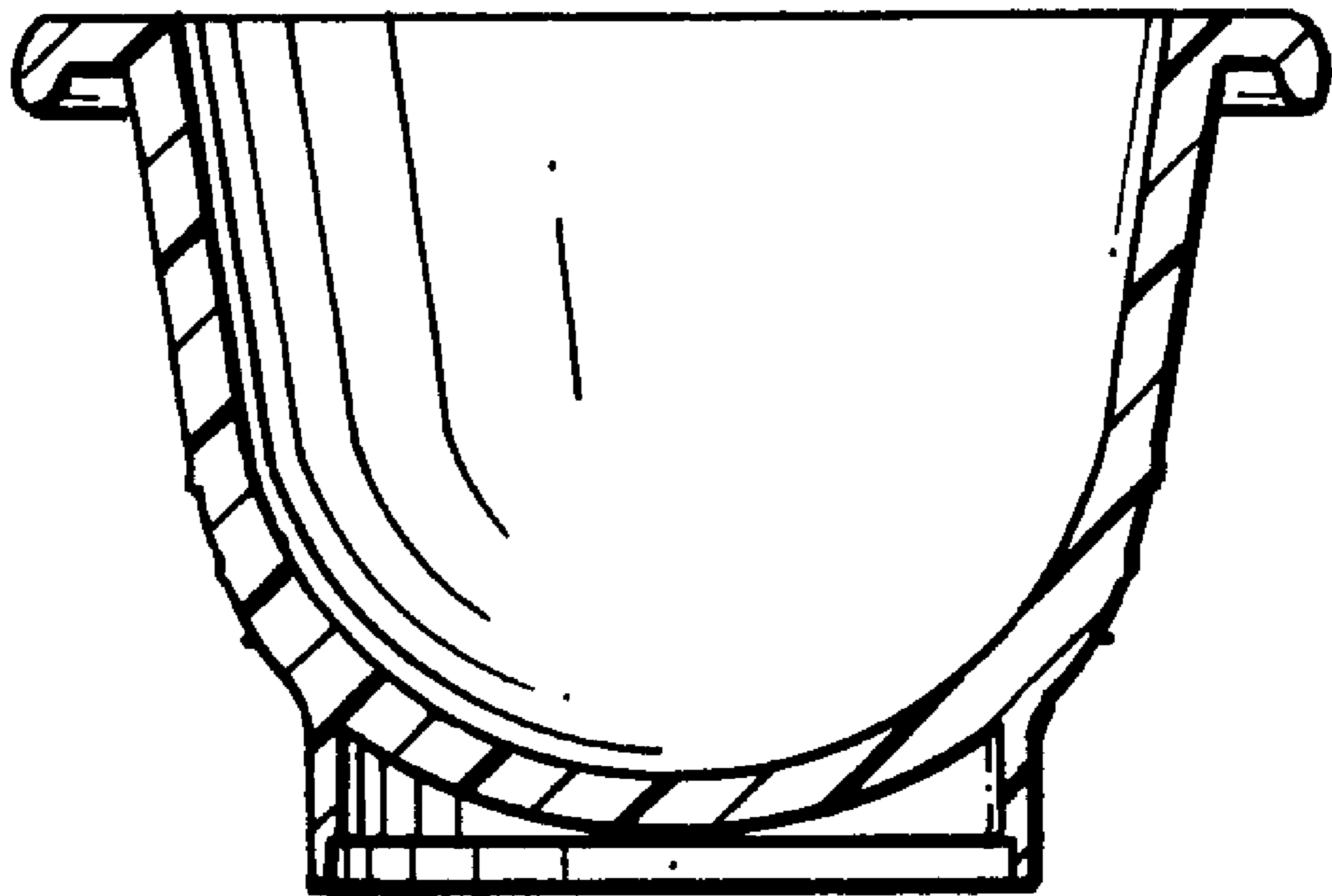


FIG. 7