



US00D476732S

(12) **United States Design Patent**  
**Smart**

(10) **Patent No.:** **US D476,732 S**

(45) **Date of Patent:** **\*\* Jul. 1, 2003**

- (54) **NASAL MASK**
- (75) **Inventor:** **Gregory S. Smart, Randwick (AU)**
- (73) **Assignee:** **ResMed Limited, North Ryde (AU)**
- (\*\*) **Term:** **14 Years**
- (21) **Appl. No.:** **29/168,750**
- (22) **Filed:** **Oct. 9, 2002**

- D439,326 S 3/2001 Hecker et al.
- D441,860 S 5/2001 Kopacko et al.
- D443,355 S 6/2001 Gunaratnam et al.
- D447,557 S 9/2001 Wilkie et al.
- 6,374,826 B1 4/2002 Gunaratnam et al.
- D458,365 S \* 6/2002 Kopacko et al. .... D24/110.1
- D458,993 S \* 6/2002 Kopacko et al. .... D24/110.1
- D459,800 S 7/2002 Smart
- D468,421 S \* 1/2003 Smart ..... D24/110.1

\* cited by examiner

**Related U.S. Application Data**

- (62) Division of application No. 29/148,596, filed on Sep. 25, 2001, now Pat. No. Des. 468,823.
- (51) **LOC (7) Cl.** ..... **29-02**
- (52) **U.S. Cl.** ..... **D24/110.4; D24/110.1**
- (58) **Field of Search** ..... D24/110.1, 110.4; 128/207.17, 207.11, 206.26, 205.25, 207.18, 204.18

*Primary Examiner*—Ian Simmons

(74) *Attorney, Agent, or Firm*—Pillsbury Winthrop LLP

(57) **CLAIM**

The ornamental design of a nasal mask, as shown and described.

**DESCRIPTION**

FIG. 1 is a front top and left perspective view of a nasal mask showing my new design;  
 FIG. 2 is a left side view thereof, with the right side view being a mirror image thereof;  
 FIG. 3 is a front view thereof;  
 FIG. 4 is a rear view thereof;  
 FIG. 5 is a bottom view thereof;  
 FIG. 6 is a top view thereof; and,  
 FIG. 7 is an exploded view thereof.

(56) **References Cited**

**U.S. PATENT DOCUMENTS**

- D322,318 S 12/1991 Sullivan
- 5,542,128 A 8/1996 Lomas
- 5,662,101 A 9/1997 Ogden et al.
- D430,663 S 9/2000 Smart
- 6,112,746 A 9/2000 Kwok et al.
- 6,119,693 A 9/2000 Kwok et al.

**1 Claim, 6 Drawing Sheets**

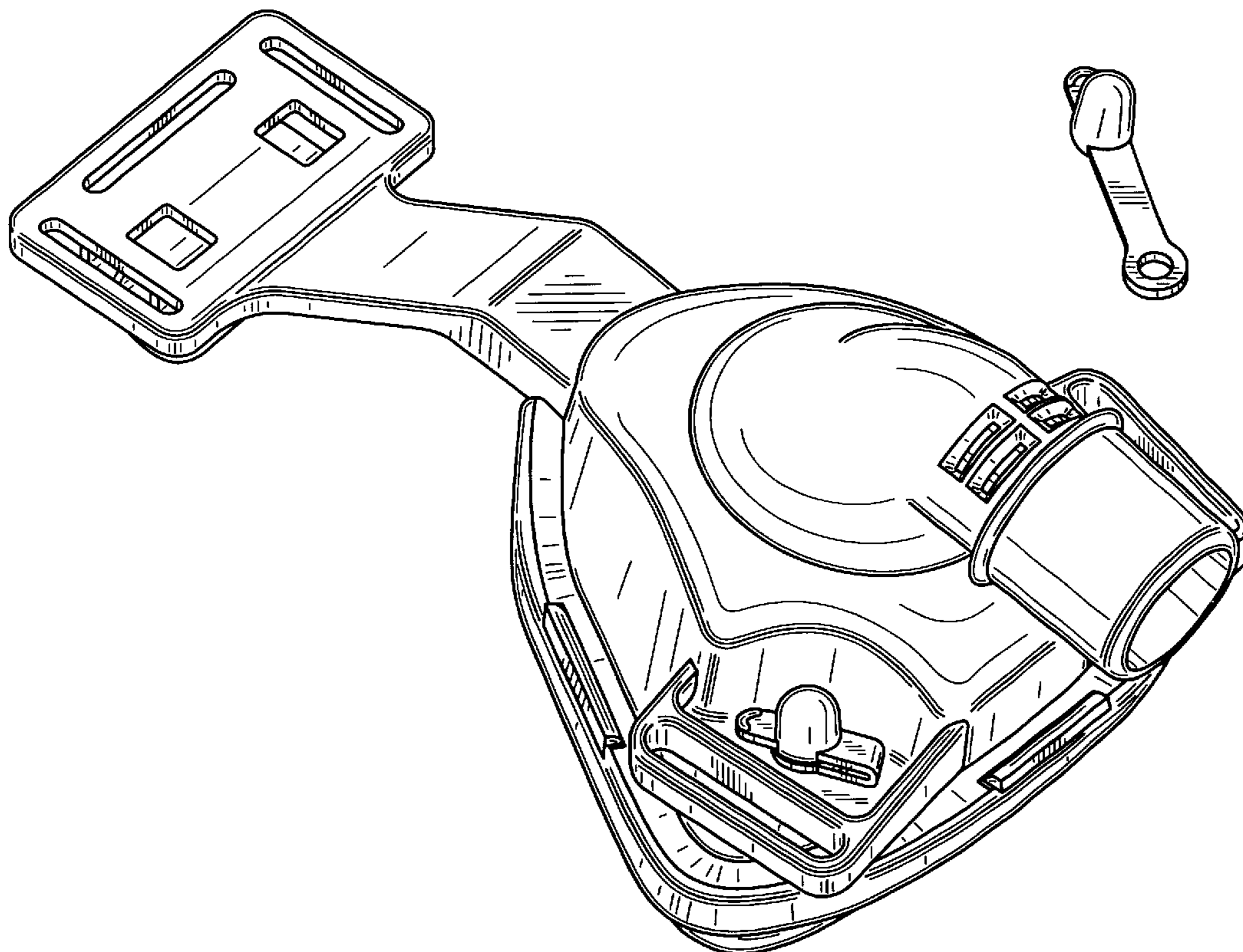
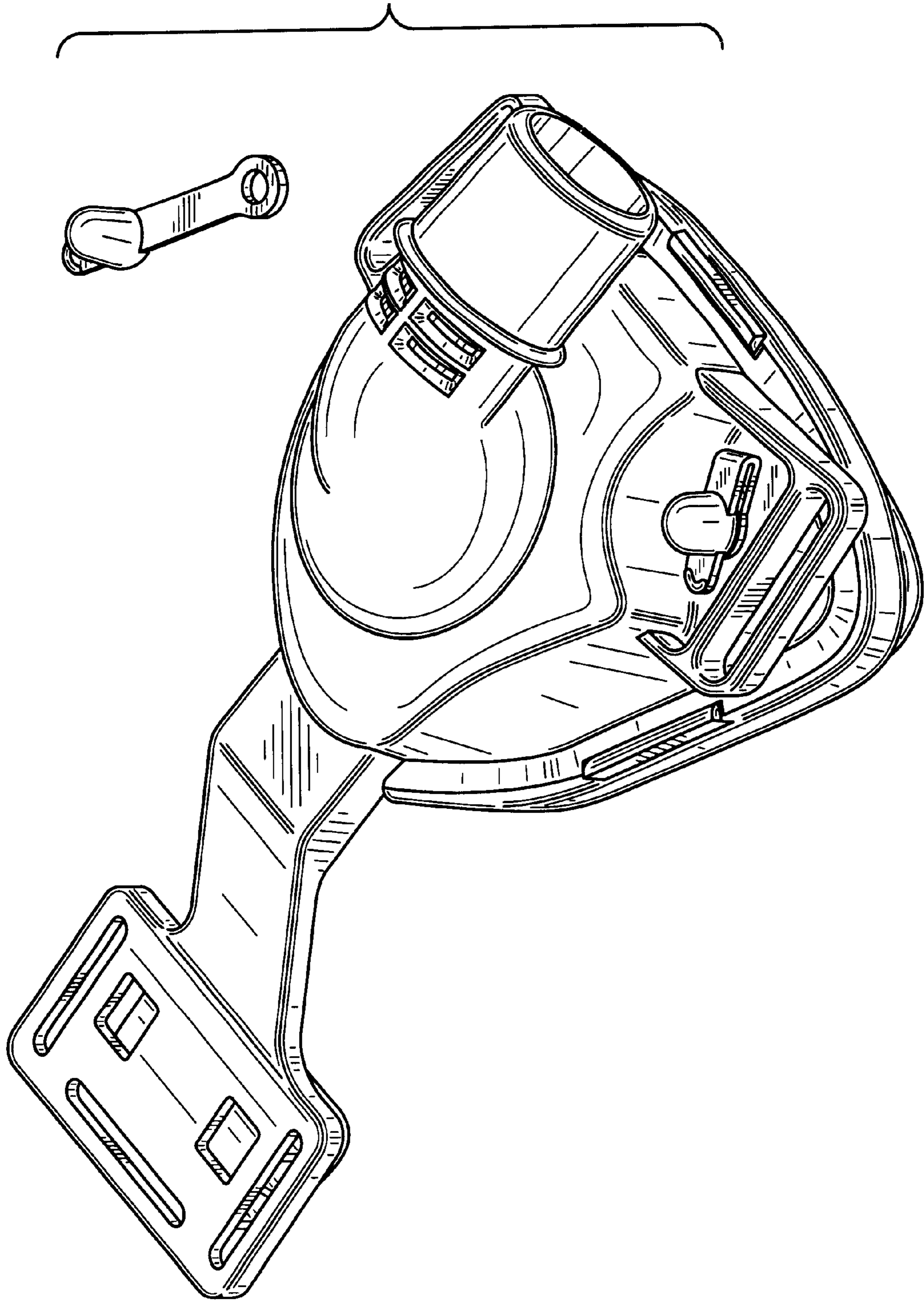


FIG. 1



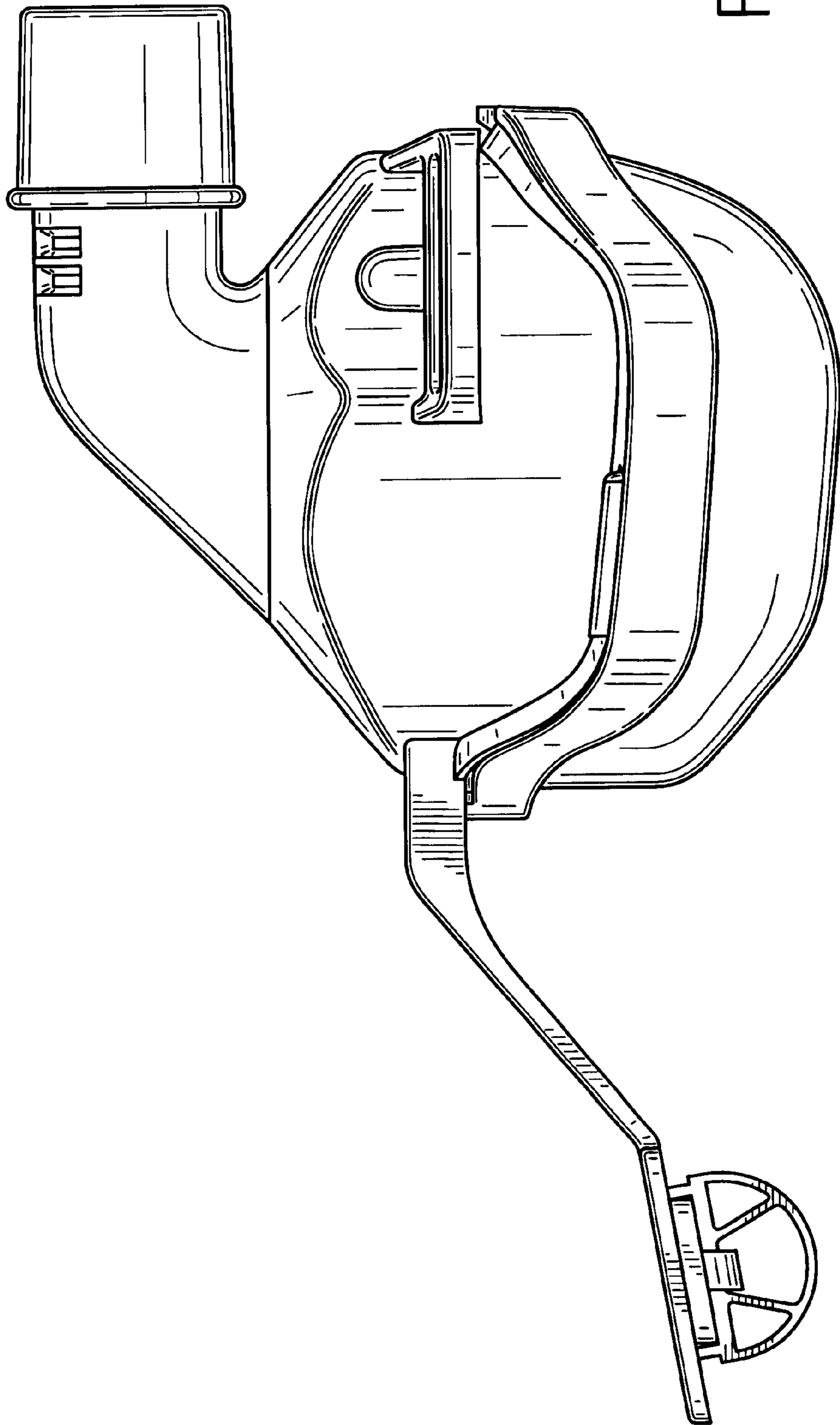


FIG. 2

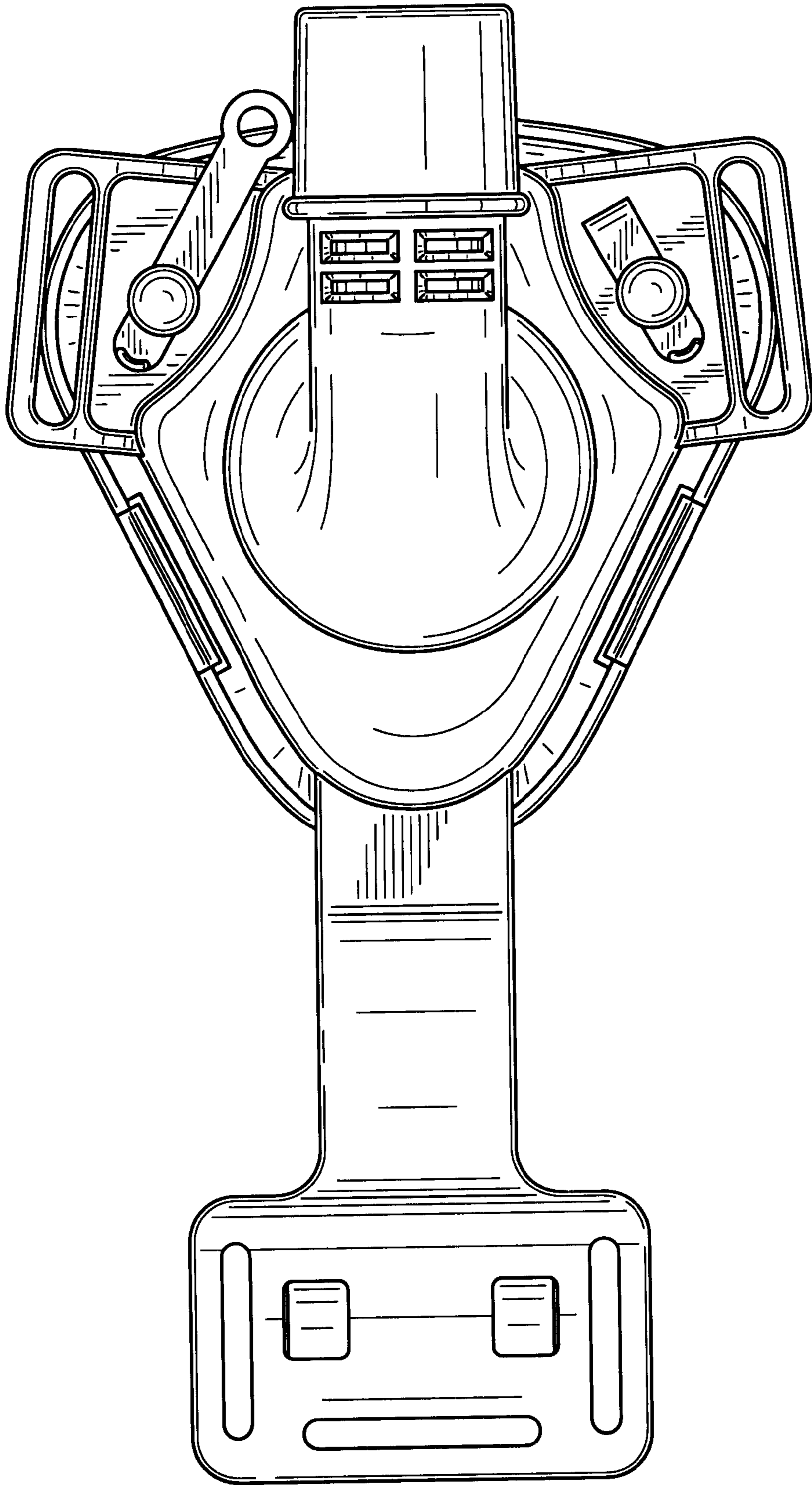


FIG. 3

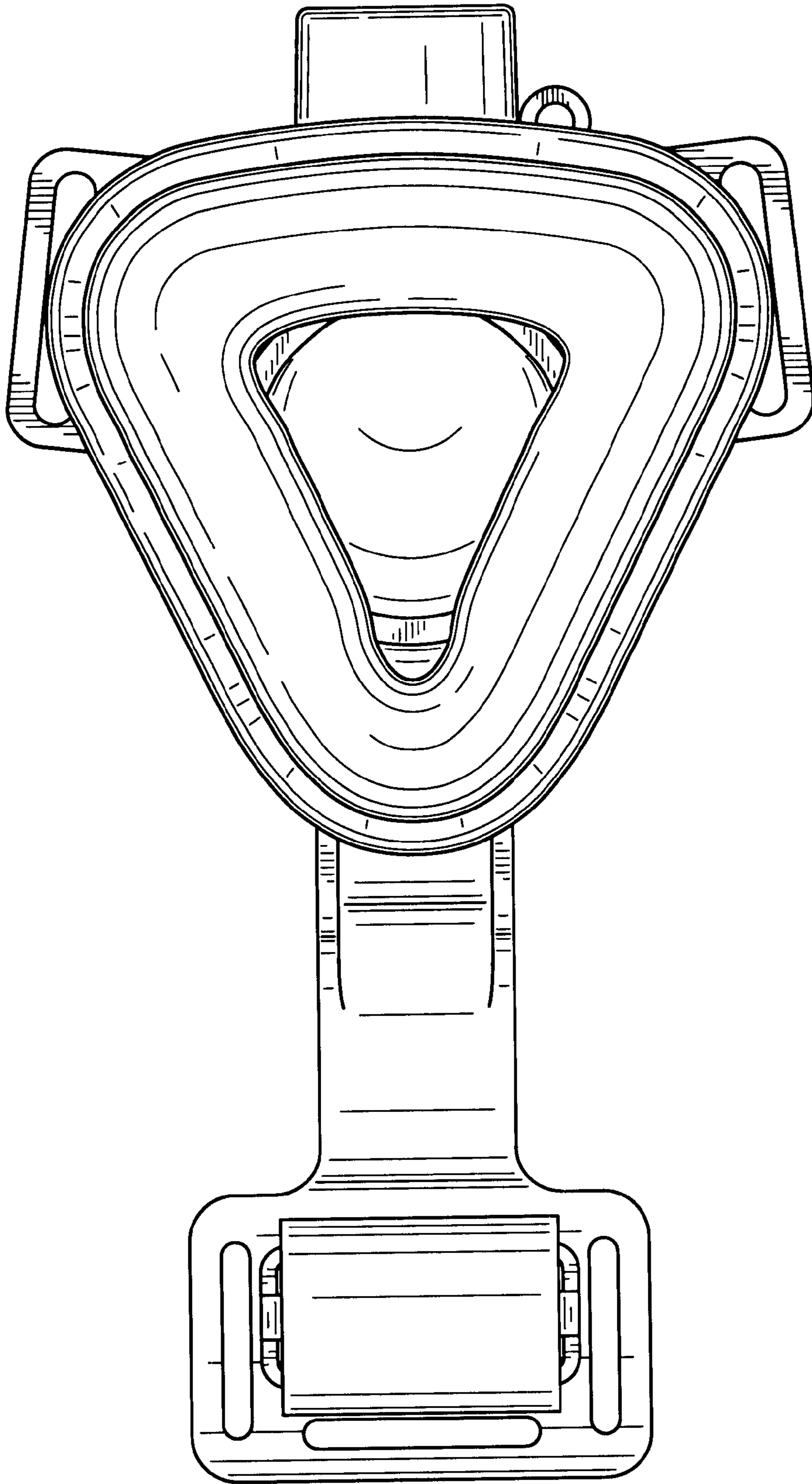


FIG. 4

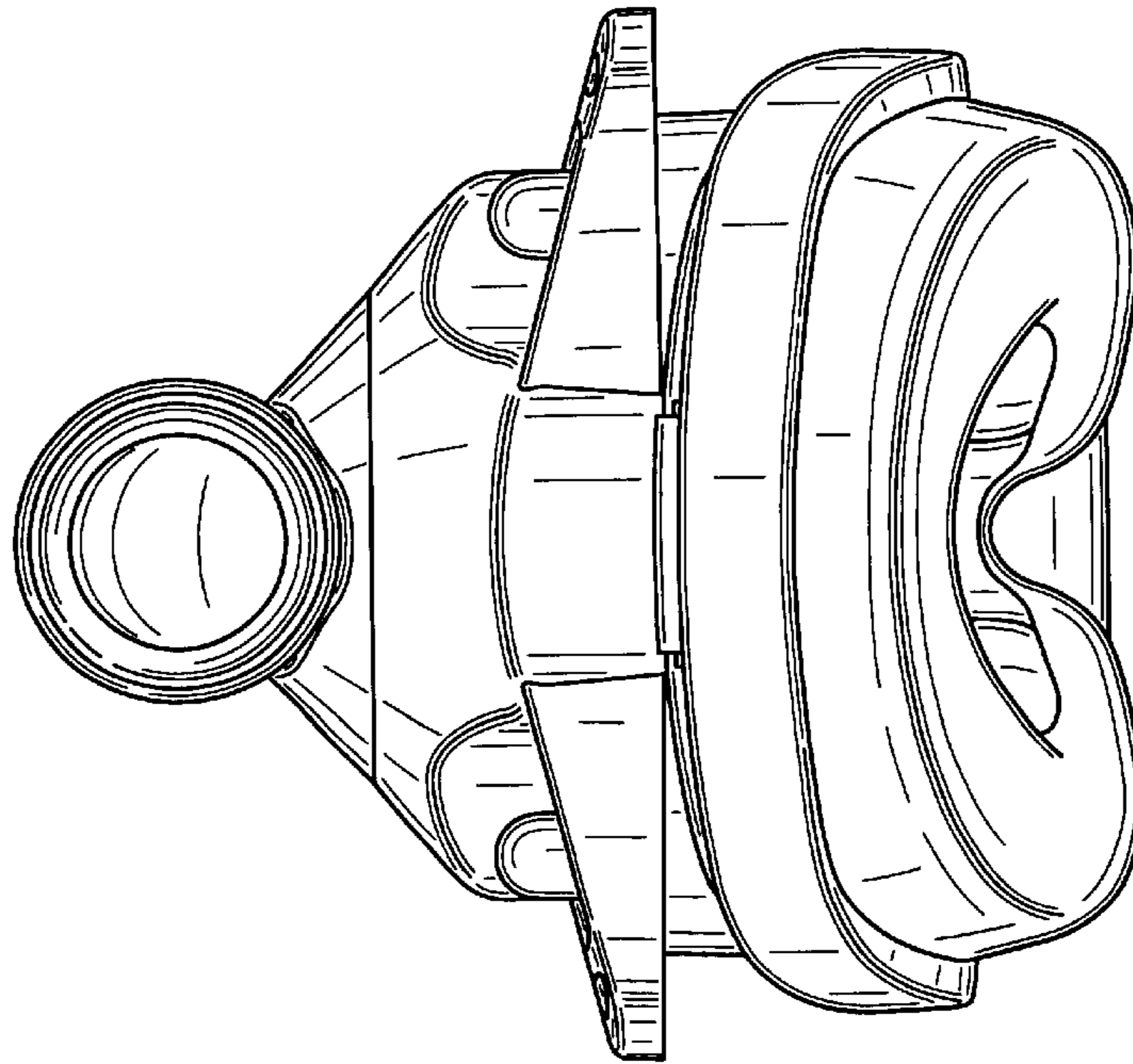


FIG. 5

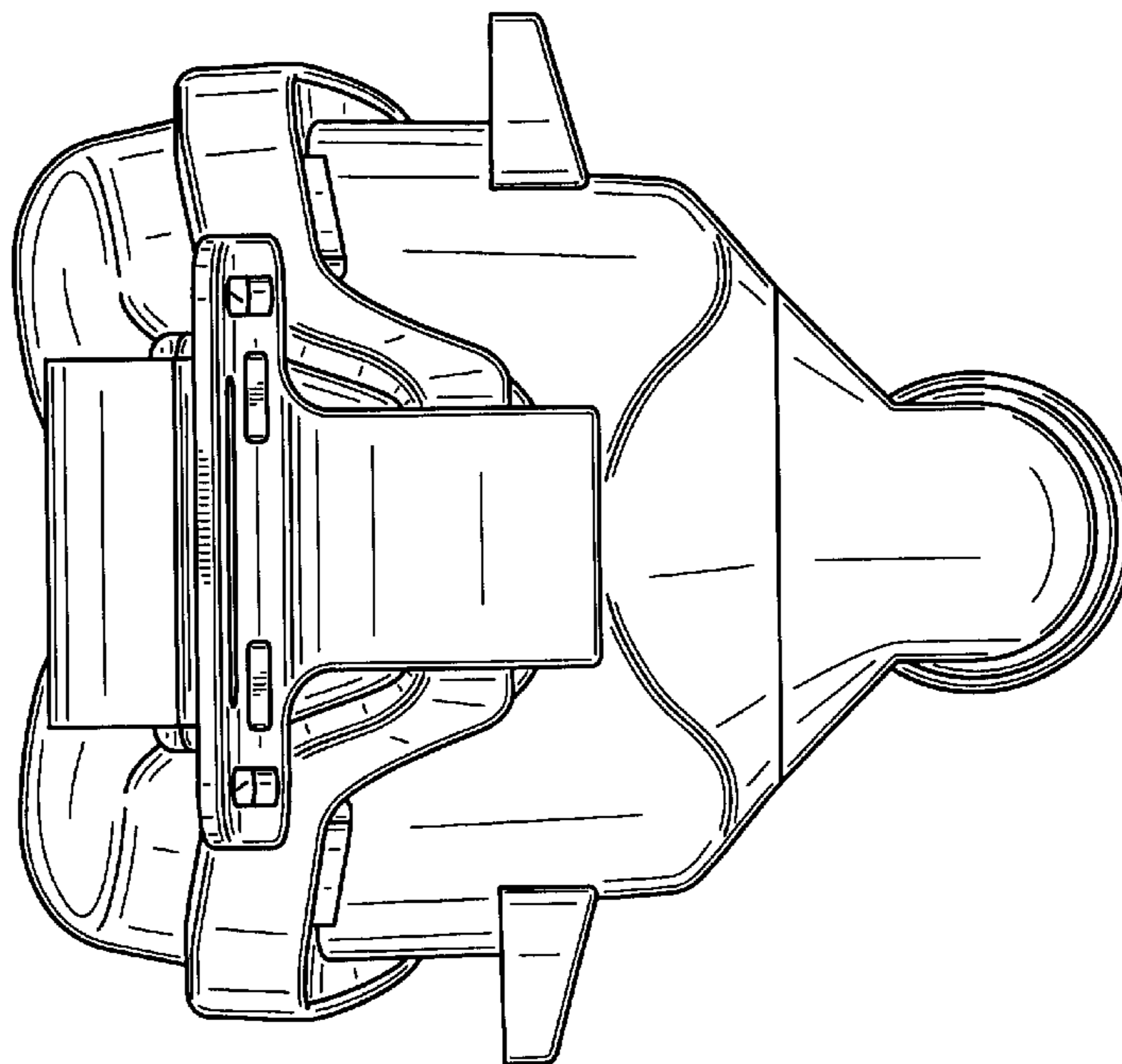


FIG. 6

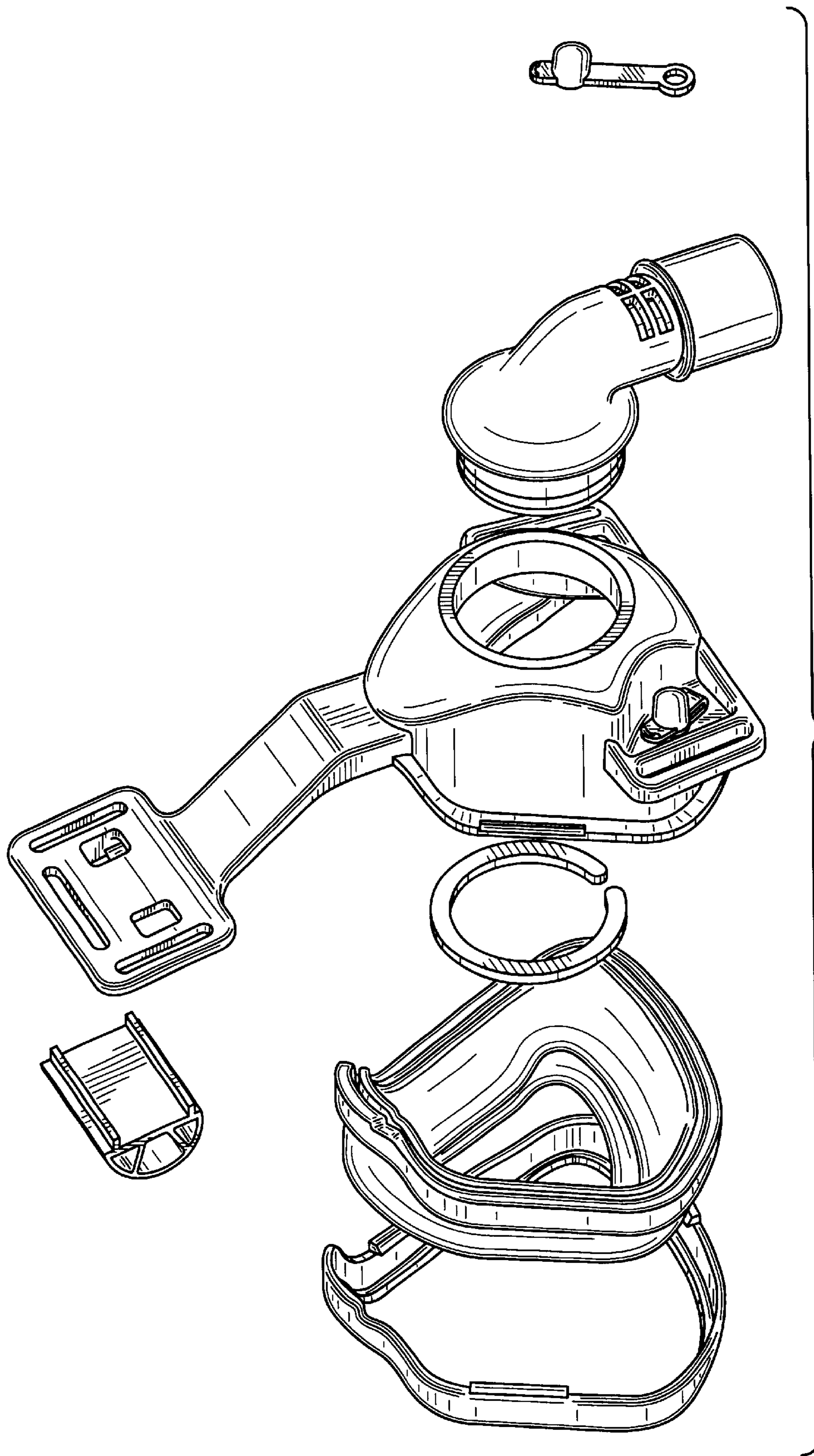


FIG. 7