



US00D476730S

(12) **United States Design Patent**
O'Mahony et al.

(10) **Patent No.:** **US D476,730 S**

(45) **Date of Patent:** **** Jul. 1, 2003**

(54) **CONTROLLER HOUSING FOR EXTRACORPOREAL TREATMENT**

Primary Examiner—Ian Simmons
(74) *Attorney, Agent, or Firm*—Nixon & Vanderhye P.C.

(75) Inventors: **John J. O'Mahony**, Hackensack, NJ (US); **Steven Bernard**, Yonkers, NY (US); **Douglas Francis Walker**, Los Angeles, CA (US)

(57) **CLAIM**

The ornamental design for a controller housing for extracorporeal treatment, as shown and described.

(73) Assignee: **CHF Solutions, Inc.**, New York, NY (US)

DESCRIPTION

(**) Term: **14 Years**

(21) Appl. No.: **29/158,275**

FIG. 1 is a front, top, left side perspective view of the controller housing for extracorporeal treatment;

(22) Filed: **Apr. 3, 2002**

FIG. 2 is a front elevational view of the controller shown in FIG. 1;

(51) **LOC (7) Cl.** **24-01**

(52) **U.S. Cl.** **D24/108; D24/111**

FIG. 3 is a rear elevational view of the controller shown in FIG. 1;

(58) **Field of Search** D24/111, 162, D24/108, 169; 604/29, 609, 6.1, 6.11, 30; 210/646, 645, 650, 651

FIG. 4 is a left elevational view of the controller shown in FIG. 1;

(56) **References Cited**

U.S. PATENT DOCUMENTS

4,585,436	A	*	4/1986	Davis et al.	604/29
6,200,287	B1	*	3/2001	Keller et al.	604/6.01
D446,860	S	*	8/2001	Meziere et al.	D24/169
6,468,241	B1	*	10/2002	Gelfand et al.	604/6.09

FIG. 5 is a right elevational view of the controller shown in FIG. 1;

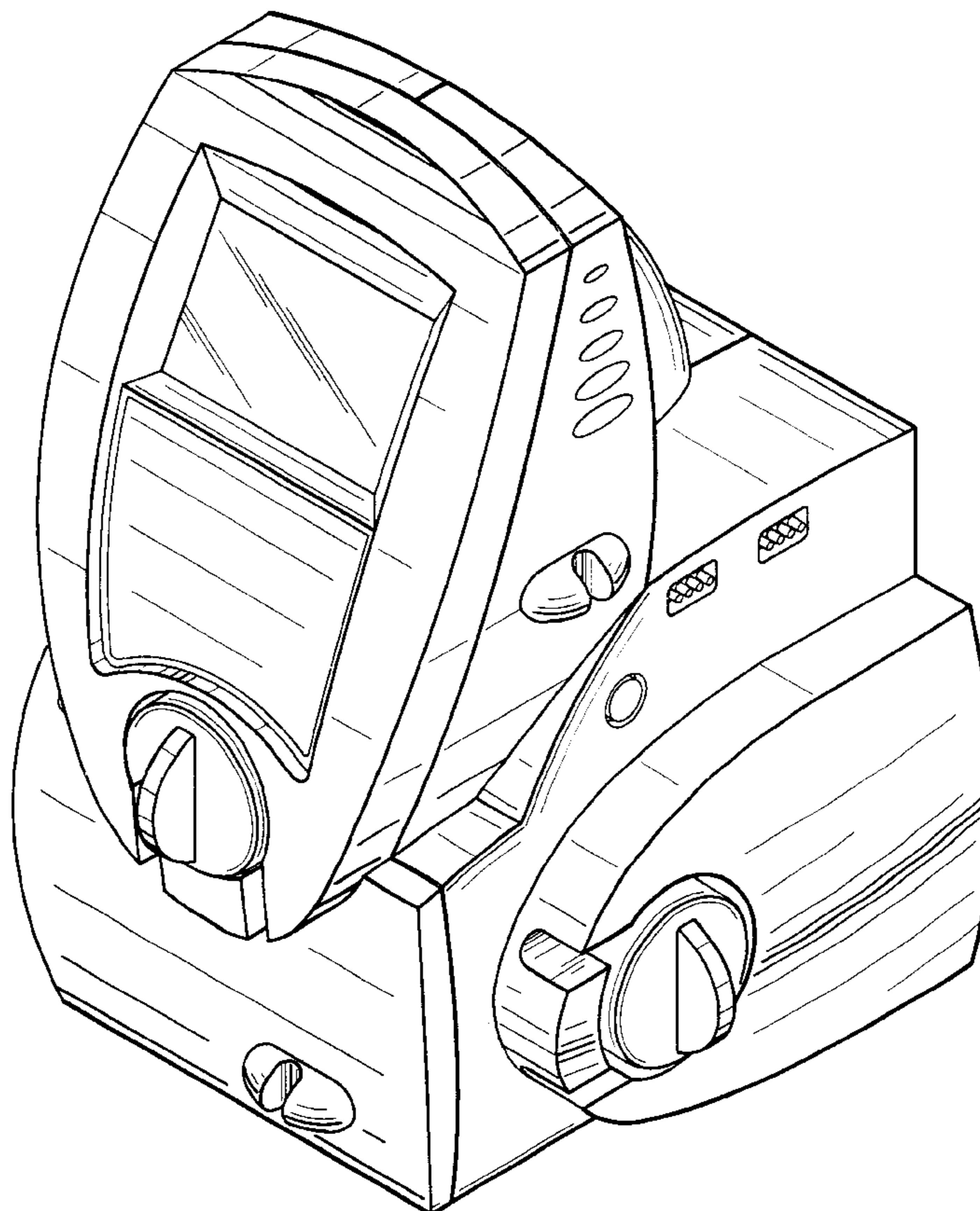
FIG. 6 is a top plan view of the controller shown in FIG. 1; and,

FIG. 7 is a bottom plan view of the controller shown in FIG. 1.

The broken line showing in FIG. 3 is for illustrative purposes only and forms no part of the claimed design.

* cited by examiner

1 Claim, 7 Drawing Sheets



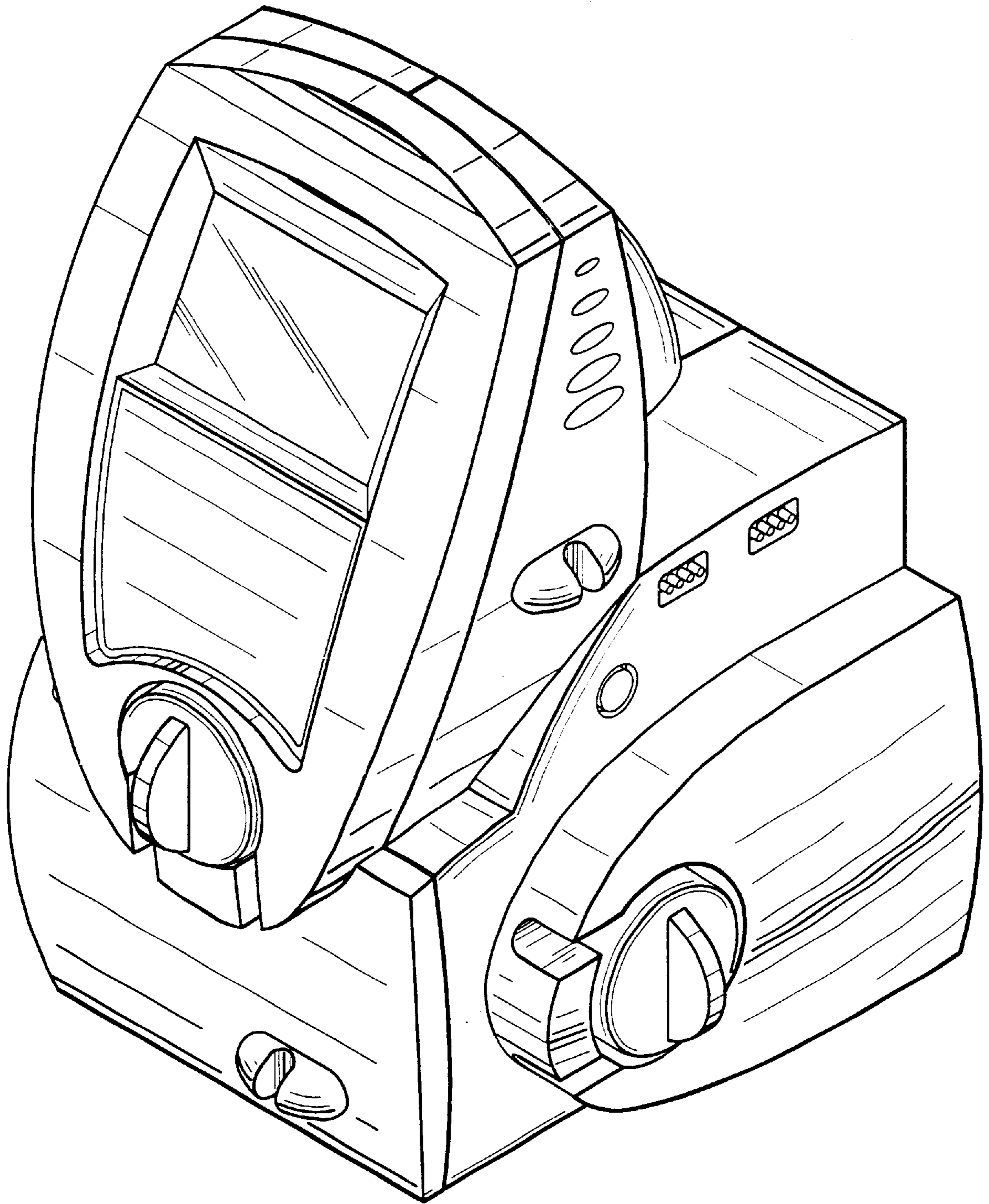


Fig.1

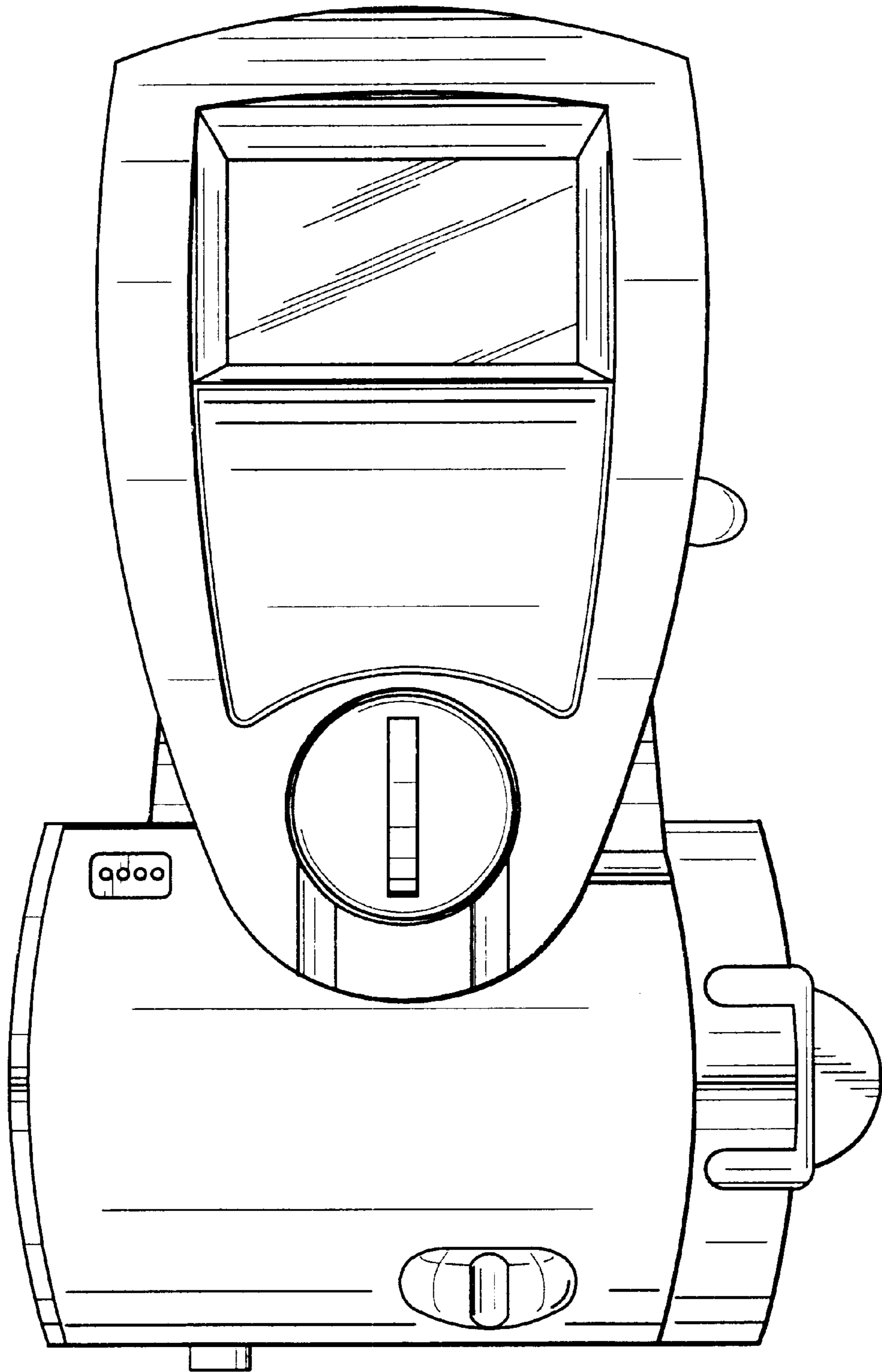


Fig.2

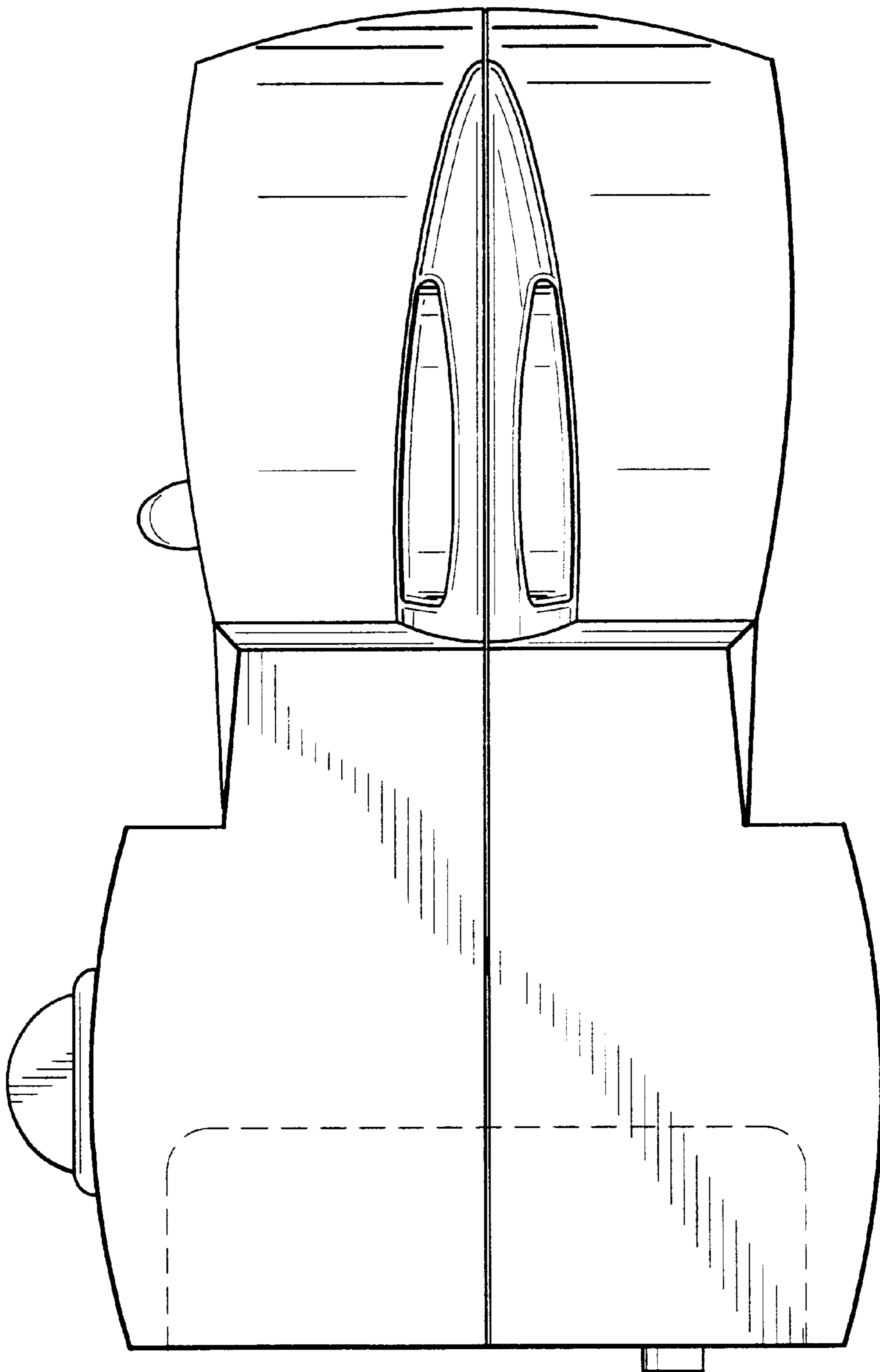


Fig.3

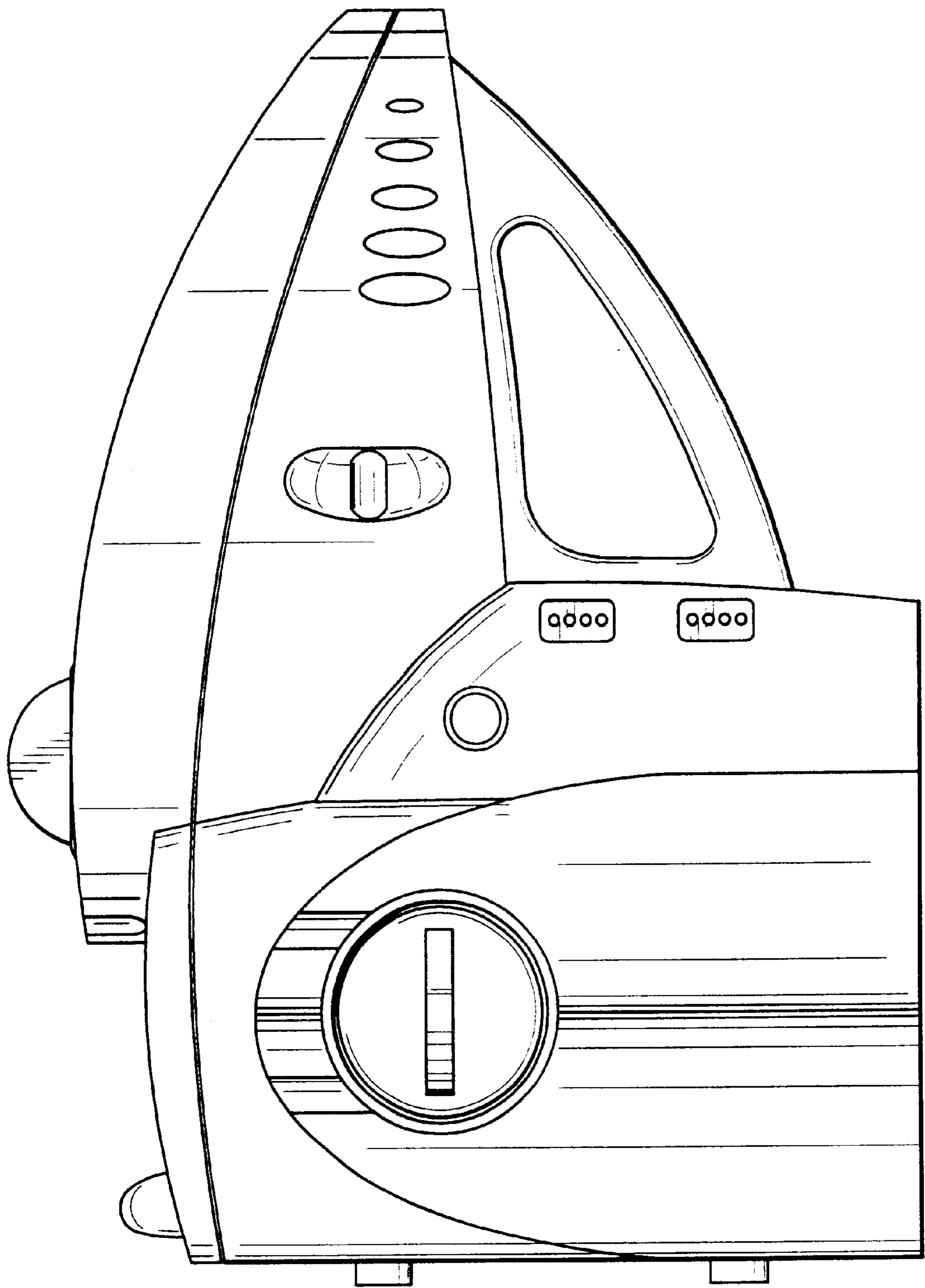


Fig.4

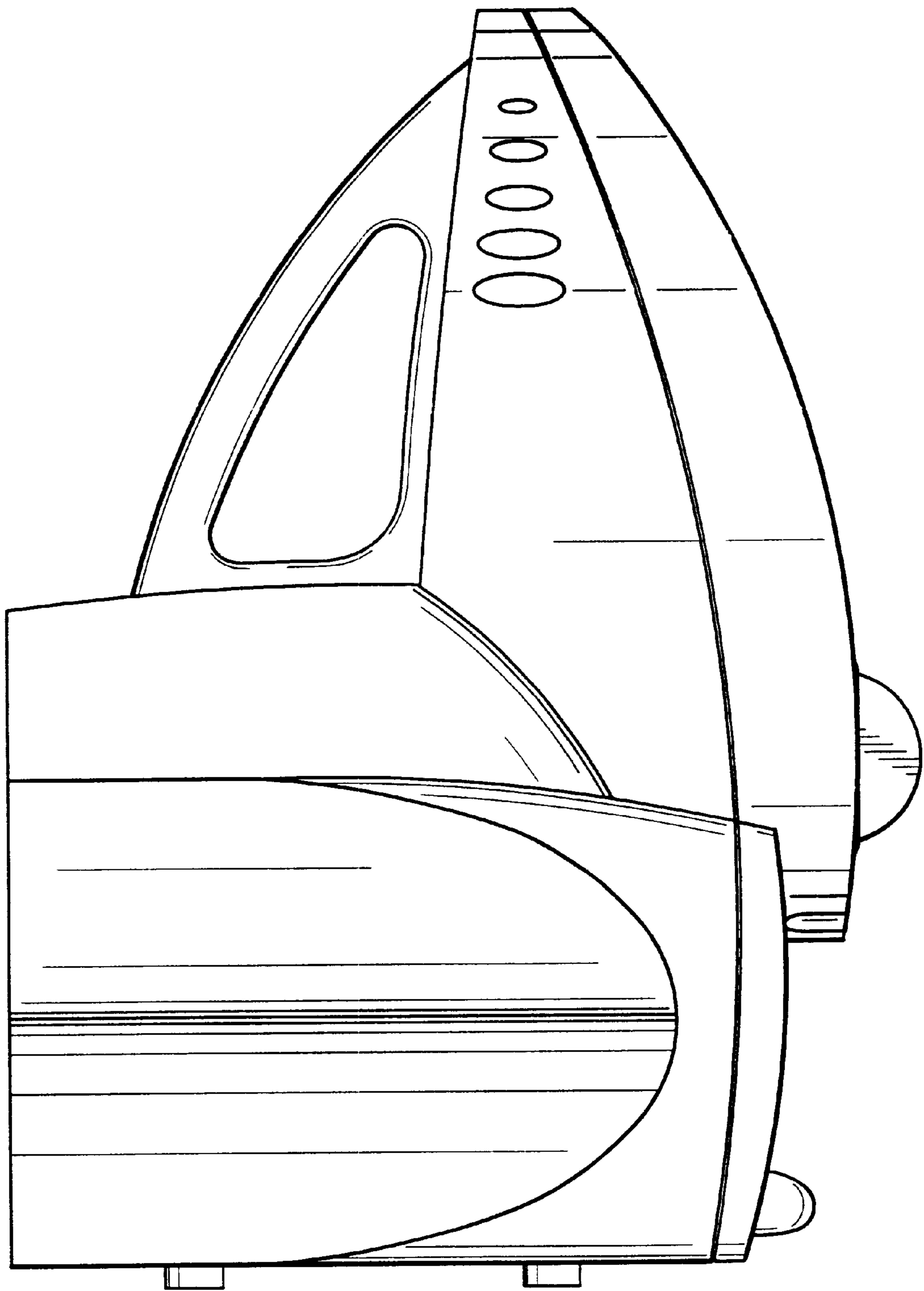


Fig.5

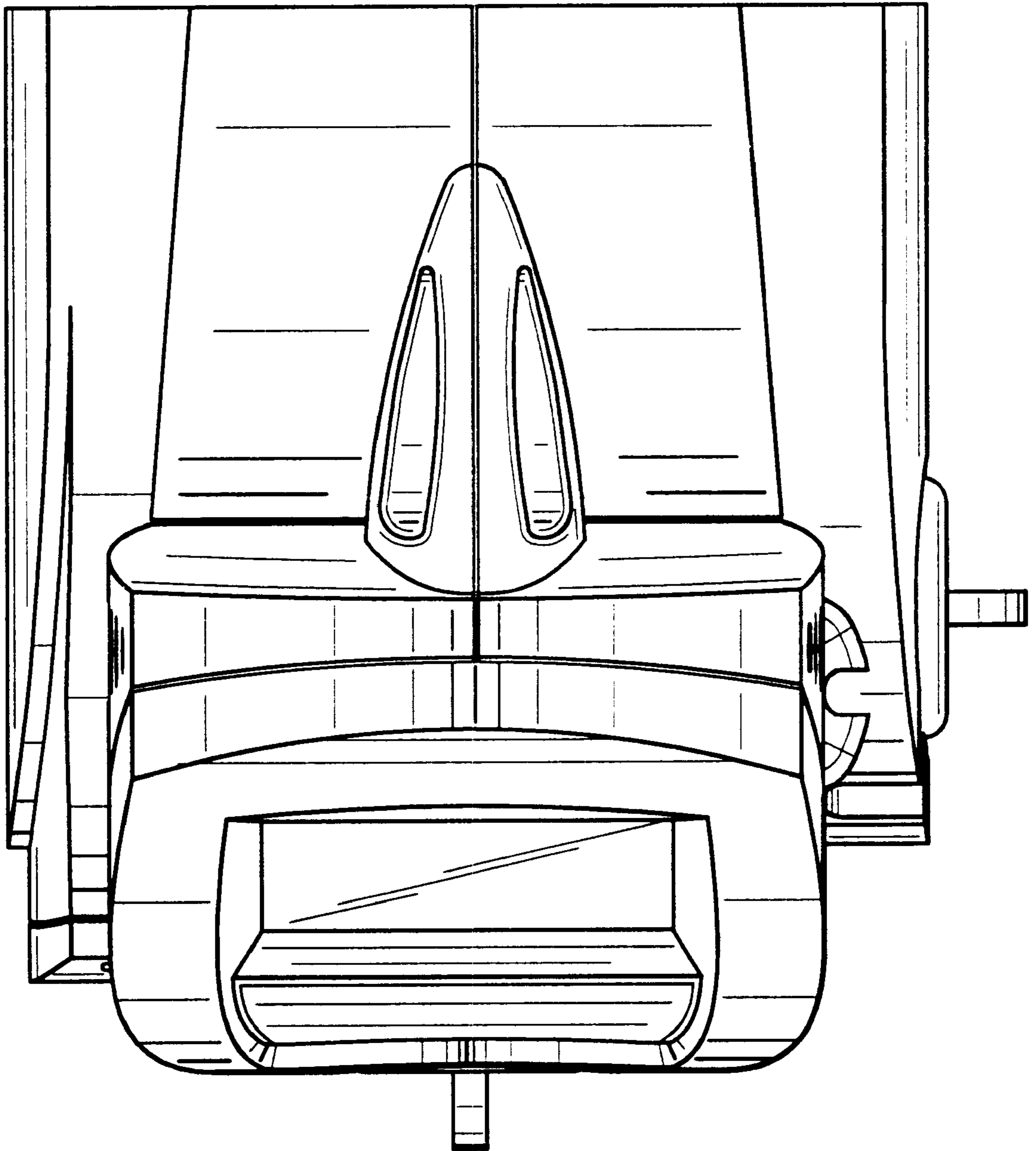


Fig.6

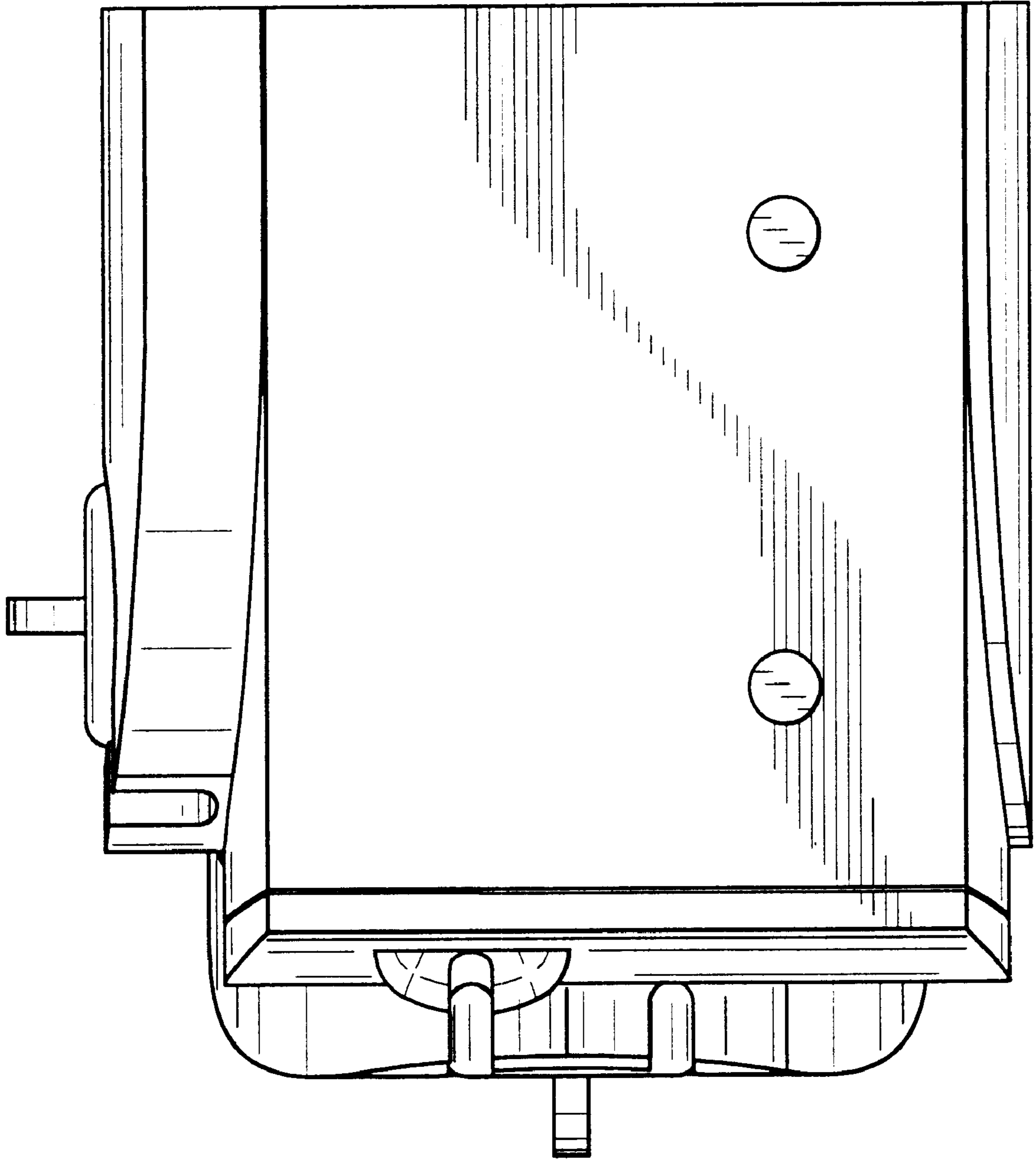


Fig.7