



US00D476728S

(12) **United States Design Patent**  
**Gajewski**

(10) **Patent No.:** **US D476,728 S**

(45) **Date of Patent:** **\*\* Jul. 1, 2003**

(54) **COMBINATION CEILING FAN AND LIGHT FIXTURE**

*Primary Examiner*—Lisa Lichtenstein  
(74) *Attorney, Agent, or Firm*—Jenkins & Gilchrist, P.C.

(75) **Inventor:** **Mark Gajewski**, Avila Beach, CA (US)

(57) **CLAIM**

(73) **Assignee:** **Minka Lighting, Inc.**, Corona, CA (US)

The ornamental design for the combination ceiling fan and light fixture, as shown and described.

(\*\*) **Term:** **14 Years**

**DESCRIPTION**

(21) **Appl. No.:** **29/167,931**

(22) **Filed:** **Sep. 23, 2002**

(51) **LOC (7) Cl.** ..... **23-04**

(52) **U.S. Cl.** ..... **D23/377; D23/379; D23/385; D26/59**

(58) **Field of Search** ..... **D23/377, 379, D23/385, 411, 413; 416/5; 392/364; 362/96; D26/59, 81-86, 72, 51**

FIG. 1 is a perspective view from below of the combination ceiling fan and light fixture in accordance with my design;

FIG. 2 is a bottom plan view of the combination ceiling fan and light fixture in accordance with my design;

FIG. 3 is a front elevation view of the combination ceiling fan and light fixture in accordance with my design;

FIG. 4 is a top plan view of the combination ceiling fan and light fixture in accordance with my design; and,

FIG. 5 is a side elevation view of the combination ceiling fan and light fixture in accordance with my design.

(56) **References Cited**

**U.S. PATENT DOCUMENTS**

D355,027 S	*	1/1995	Young	.....	D23/377
D396,530 S	*	7/1998	Tai	.....	D23/377
D397,416 S	*	8/1998	Lee	.....	D23/377
D408,518 S	*	4/1999	Liu	.....	D23/377
D448,840 S		10/2001	Gajewski	.....	D23/377

**OTHER PUBLICATIONS**

Minka Lighting, Inc.; MinkaAire Two Thousand Two; Apr. 22, 2002; pp. 12, 13; Minka Lighting, Inc.; U.S.A.

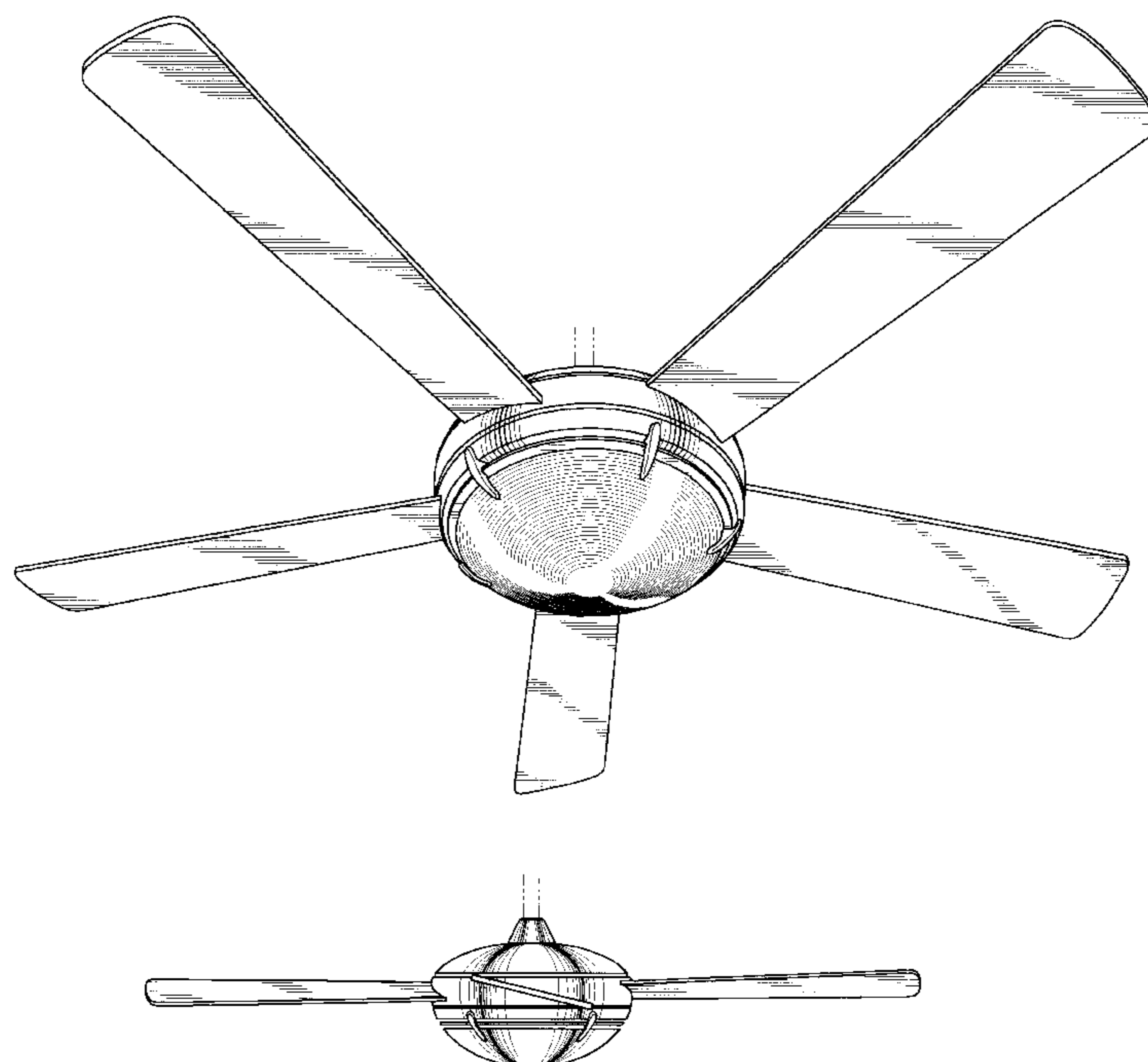
\* cited by examiner

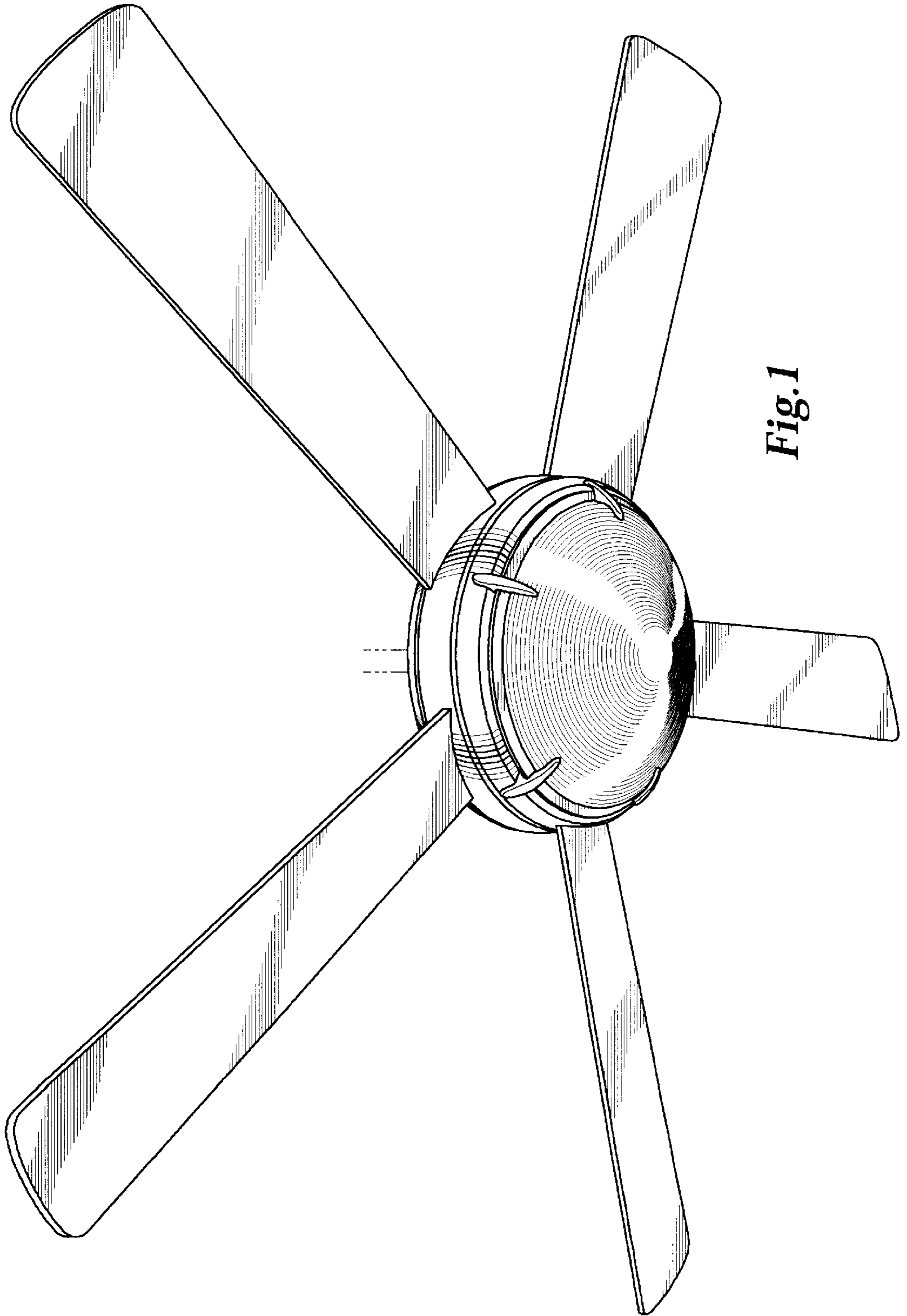
The right and left side elevational views are identical except for the position of the blades.

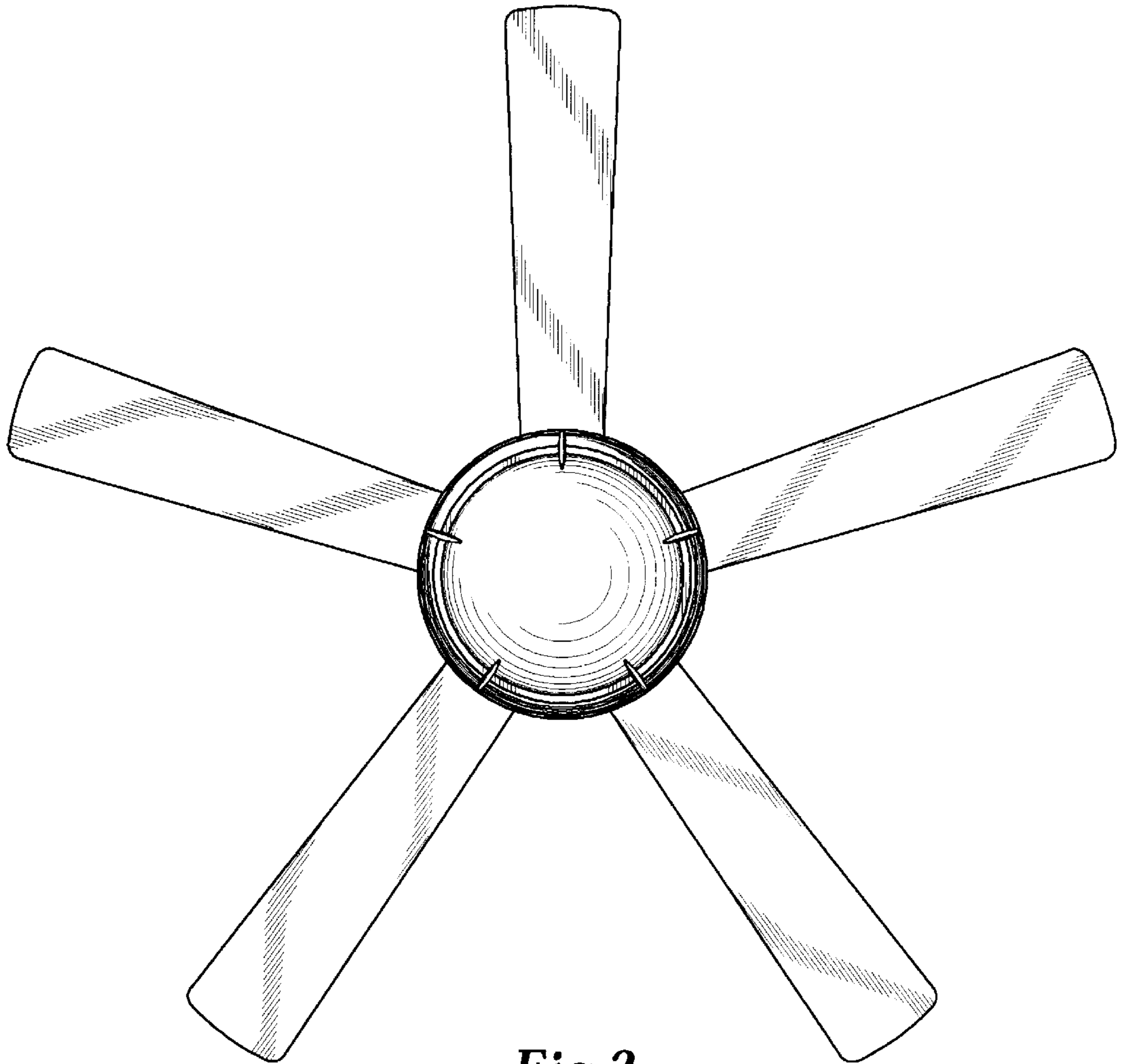
The front and rear elevation views are identical except for the position of the blades.

The broken line showing of environmental structure in FIGS. 1 and 3-5 is for illustrative purposes only and forms no part of the claimed design.

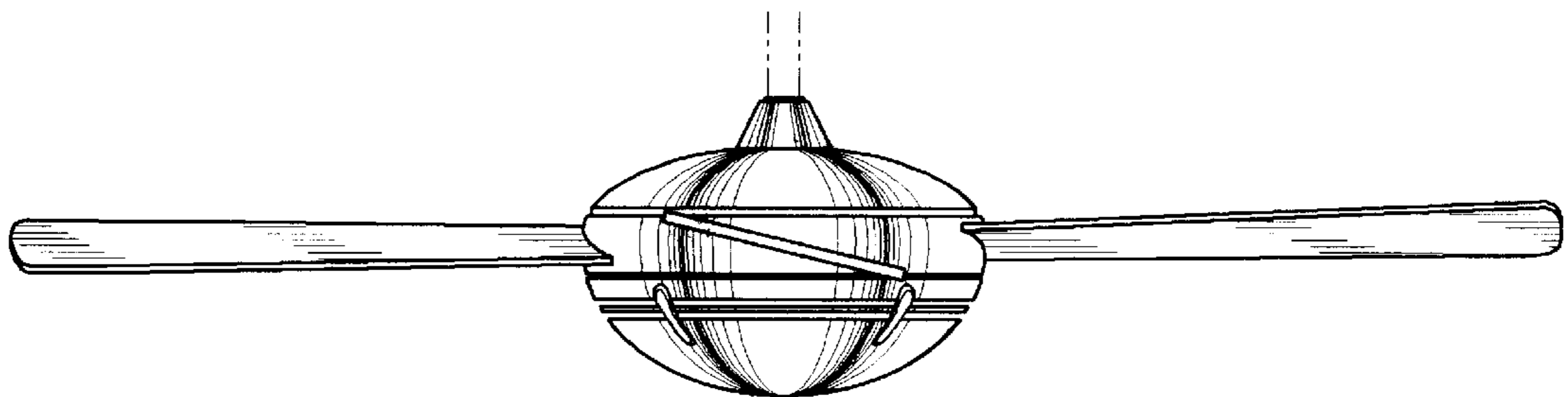
**1 Claim, 3 Drawing Sheets**



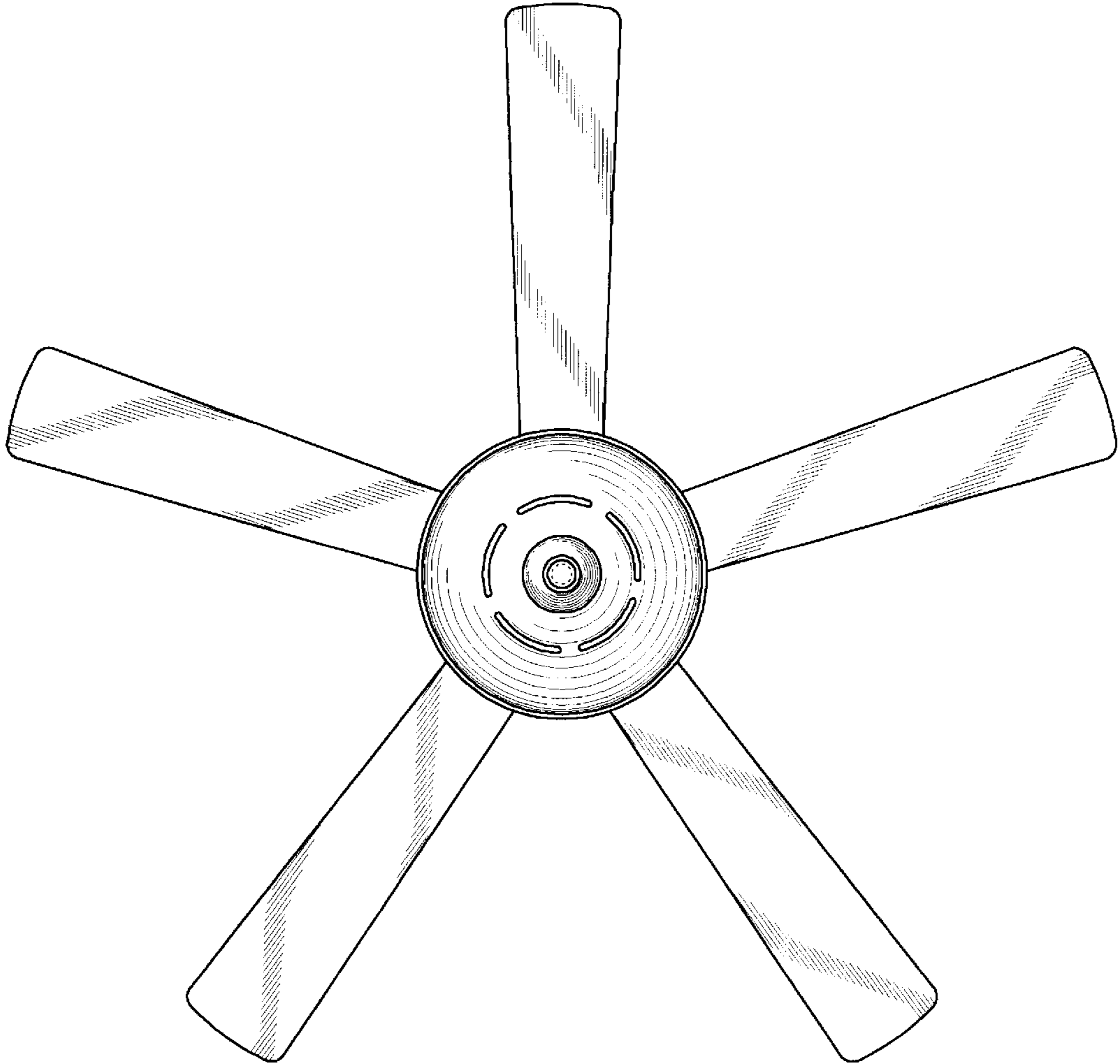




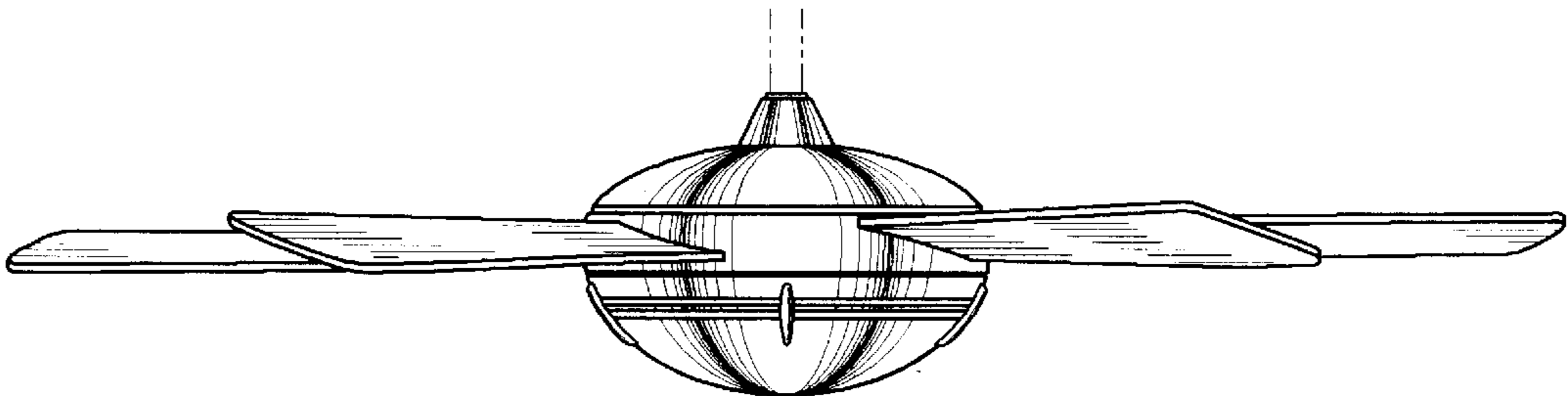
*Fig.2*



*Fig.3*



*Fig.4*



*Fig.5*