



US00D476725S

(12) **United States Design Patent**
Dushek et al.

(10) **Patent No.:** **US D476,725 S**

(45) **Date of Patent:** **** Jul. 1, 2003**

(54) **COALESCER FILTER HAVING BAFFLE PLATE**

(75) **Inventors:** **Robert Allen Dushek**, Richfield, MN (US); **Jan Leo Maria Cappuyns**, Nossegem (BE); **Carolyn J. Finnerty**, Bloomington, MN (US)

(73) **Assignee:** **Donaldson Company, Inc.**, Minneapolis, MN (US)

(**) **Term:** **14 Years**

(21) **Appl. No.:** **29/158,607**

(22) **Filed:** **Apr. 5, 2002**

(51) **LOC (7) Cl.** **23-04**

(52) **U.S. Cl.** **D23/365**

(58) **Field of Search** D23/355, 364, D23/365; 55/521; 415/213.1

(56) **References Cited**

U.S. PATENT DOCUMENTS

D148,396 S	1/1948	Stevens et al.
D298,051 S	10/1988	Matheson et al.
D368,269 S	3/1996	Chapman
RE35,433 E	1/1997	Alexander, III
D408,513 S	4/1999	Reede

D410,010 S	5/1999	Gieseke et al.	
D420,117 S	2/2000	Gieseke et al.	
D439,962 S	* 4/2001	Gieseke et al. D23/365
D440,293 S	4/2001	Gieseke et al.	
D447,549 S	* 9/2001	Gieseke et al. D23/365
D461,884 S	* 8/2002	Gieseke et al. D23/365

FOREIGN PATENT DOCUMENTS

WO WO 00/32295 6/2000

* cited by examiner

Primary Examiner—Robin V. Taylor

(74) *Attorney, Agent, or Firm*—Merchant & Gould, P.C.

(57) **CLAIM**

The ornamental design for coalescer filter having baffle plate, as shown and described.

DESCRIPTION

FIG. 1 is a perspective view of a coalescer filter having baffle plate embodying our new design; FIG. 2 is a front side elevational view thereof, the rear side elevational view being a mirror image; FIG. 3 is a right side elevational view thereof, the left side elevational view being a mirror image; FIG. 4 is a top plan view thereof; and, FIG. 5 is a bottom plan view thereof.

1 Claim, 2 Drawing Sheets

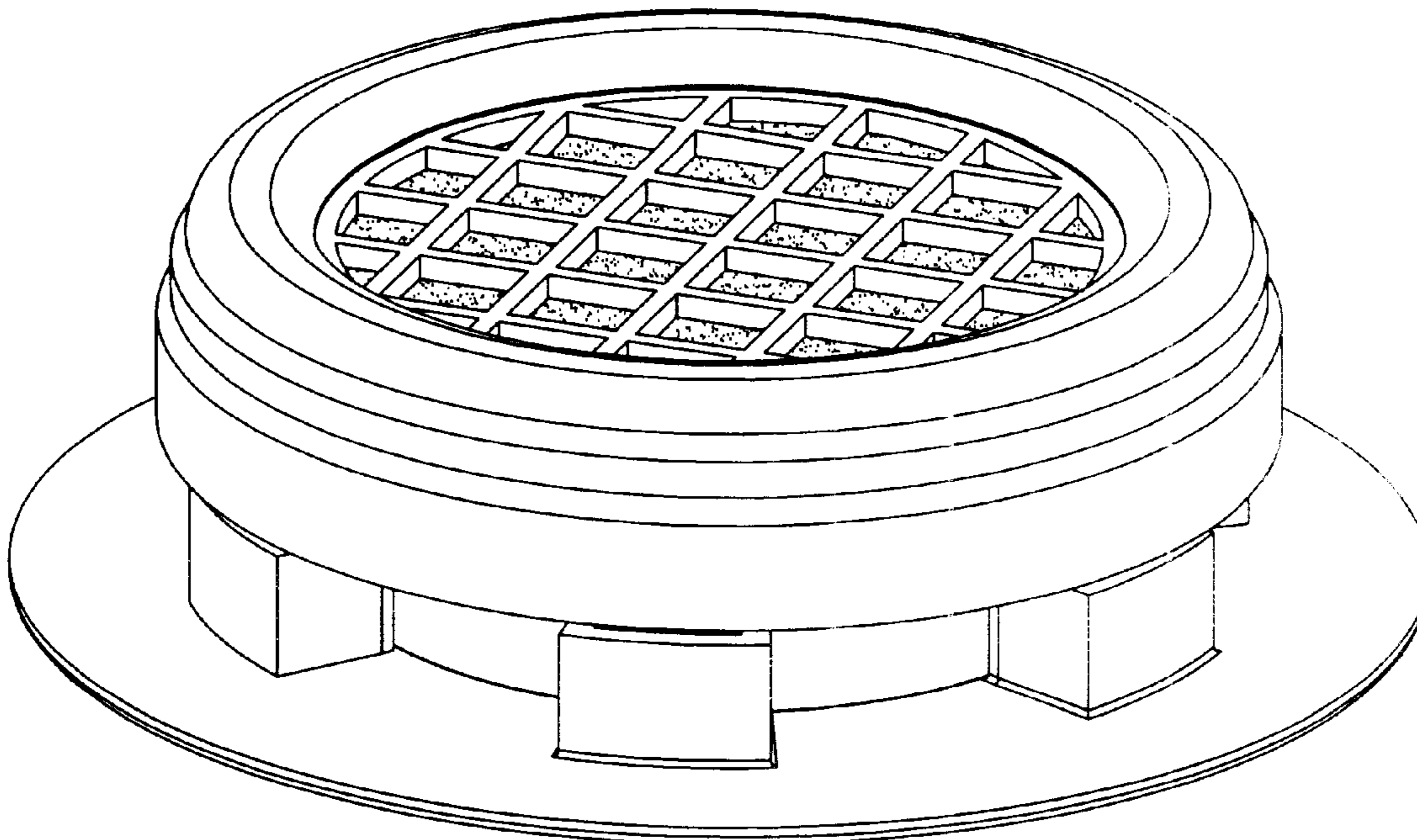


FIG. 1

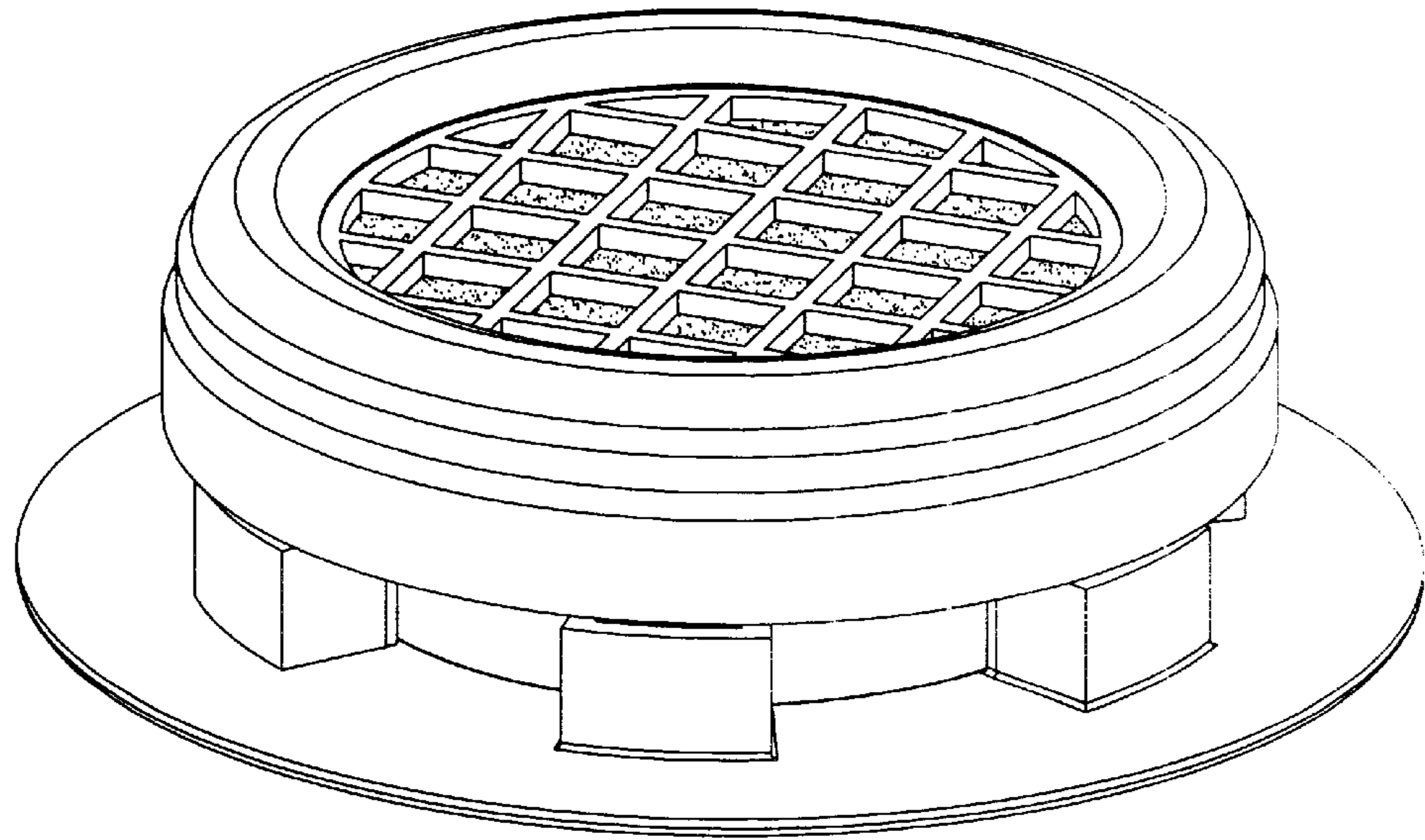


FIG. 2

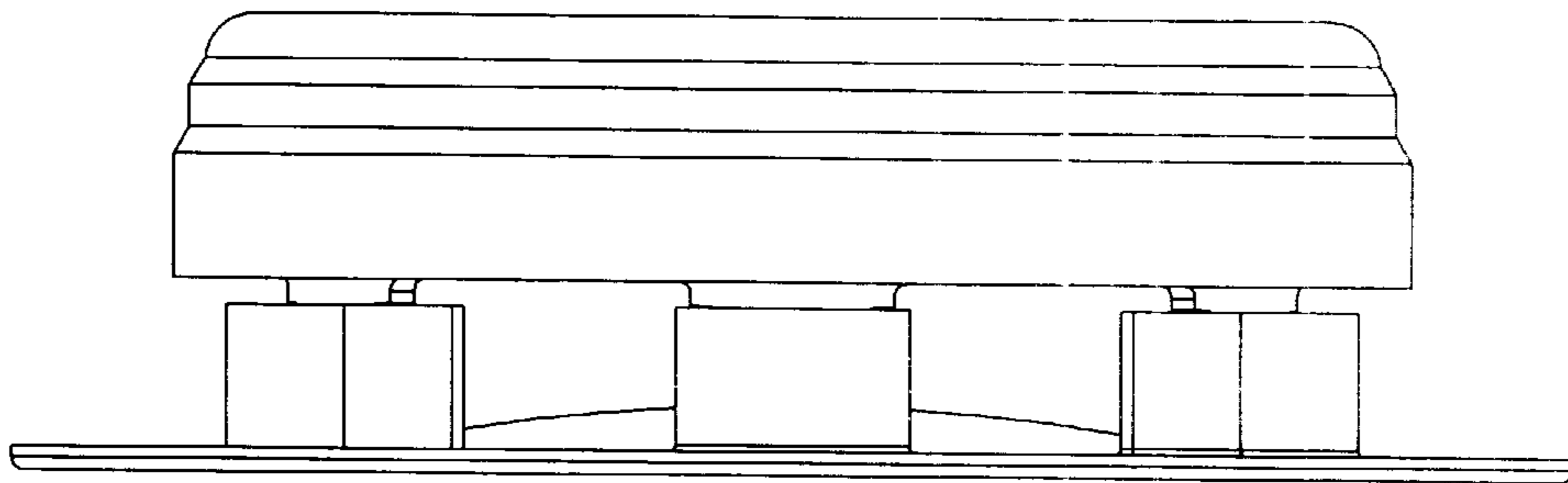


FIG. 3

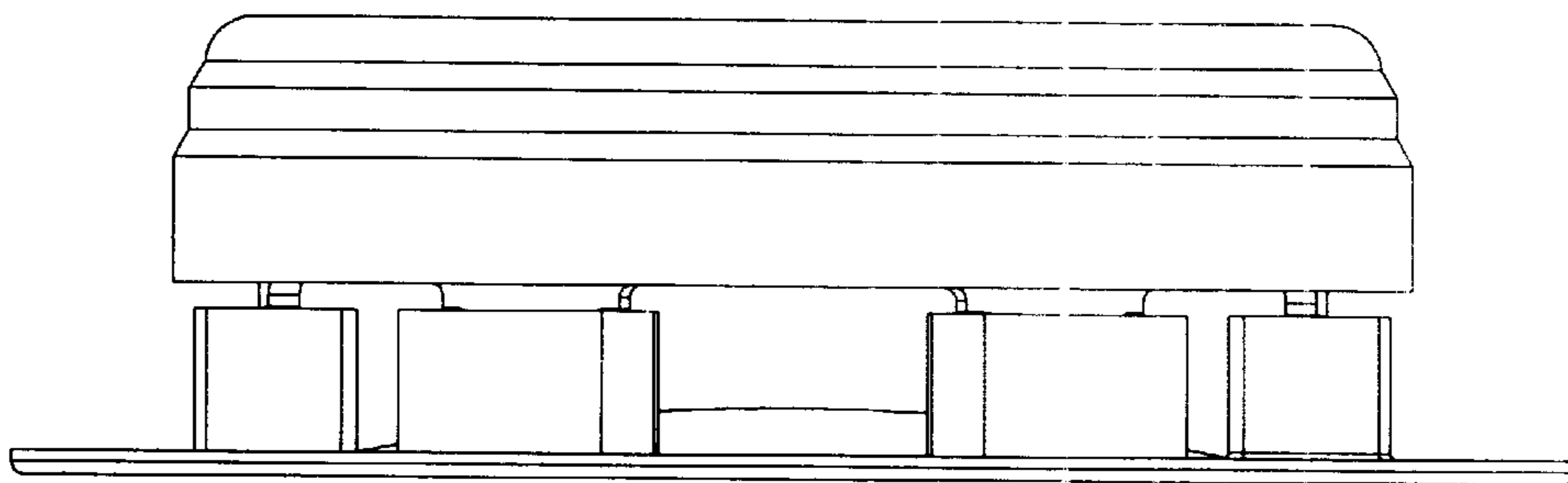


FIG. 4

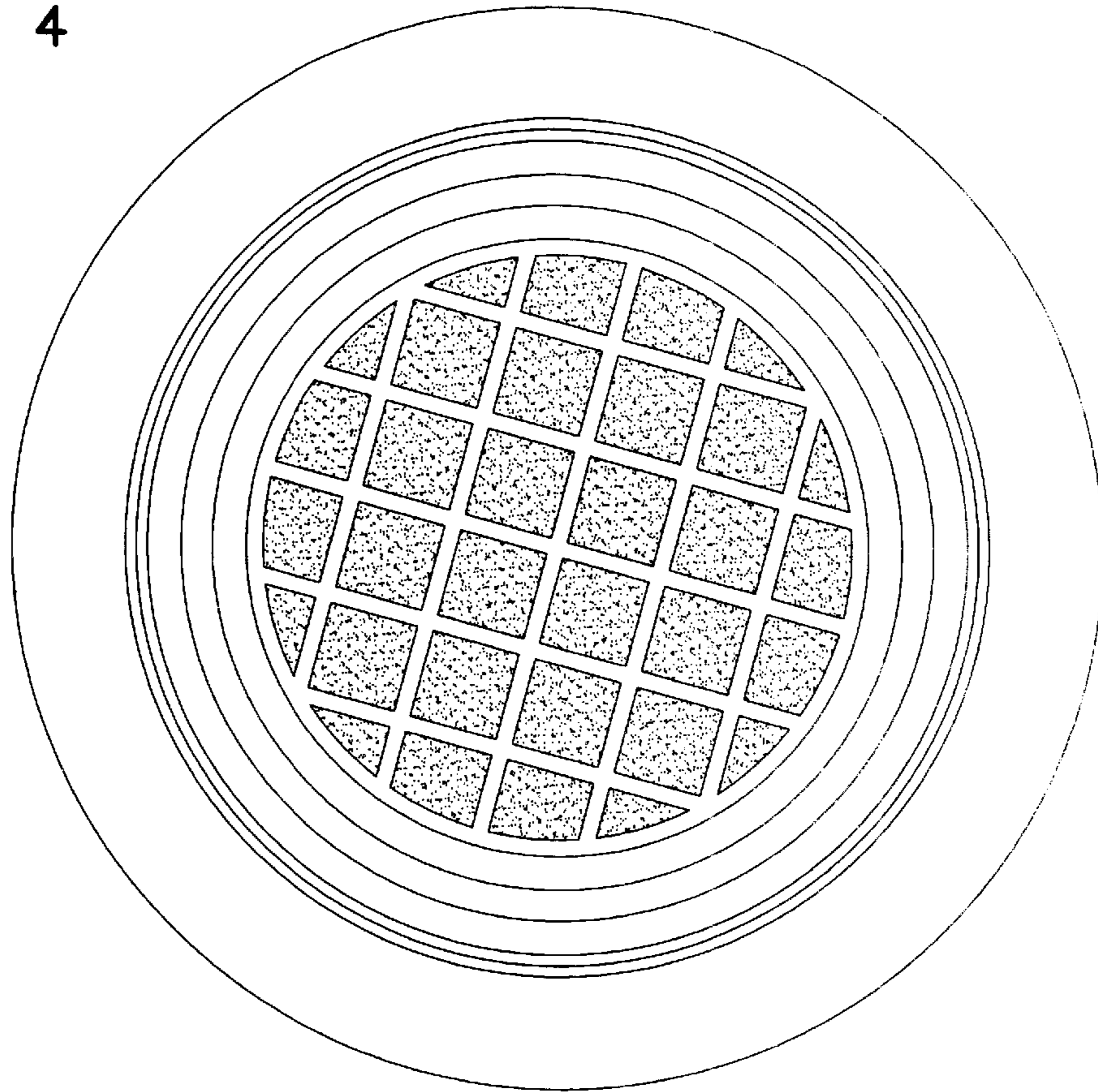


FIG. 5

