



US00D476720S

(12) **United States Design Patent**
Hanna

(10) **Patent No.:** **US D476,720 S**

(45) **Date of Patent:** **** Jul. 1, 2003**

(54) **FAUCET**

(75) **Inventor:** **Aaron E. Hanna**, Redlands, CA (US)

(73) **Assignee:** **Newfrey LLC**, Newark, DE (US)

(**) **Term:** **14 Years**

(21) **Appl. No.:** **29/171,770**

(22) **Filed:** **Nov. 27, 2002**

(51) **LOC (7) Cl.** **23-01**

(52) **U.S. Cl.** **D23/238**

(58) **Field of Search** D23/238-243,
D23/250-257; 4/675-678; 137/801

(56) **References Cited**

U.S. PATENT DOCUMENTS

D373,177 S	*	8/1996	Jans	D23/238
D380,809 S		7/1997	Warshawsky		
D384,133 S		9/1997	Doughty et al.		
D384,729 S		10/1997	Fabian		
D387,130 S		12/1997	Warshawsky		
D389,898 S		1/1998	Delker et al.		
D394,698 S	*	5/1998	Krause	D23/238
D397,423 S	*	8/1998	Short et al.	D23/238
D414,546 S		9/1999	Cosolito et al.		
D424,663 S		5/2000	Mark et al.		
D428,474 S	*	7/2000	Milrud et al.	D23/252
D432,635 S	*	10/2000	Spangler	D23/255

D439,635 S	3/2001	Robbins
D444,856 S	7/2001	Green et al.
D458,666 S	6/2002	Mark et al.

* cited by examiner

Primary Examiner—Louis S. Zarfaz

Assistant Examiner—Gregory Andoll

(74) *Attorney, Agent, or Firm*—Richard J. Veltman; John J. Del Ponti

(57) **CLAIM**

The ornamental design for a faucet, as shown and described.

DESCRIPTION

FIG. 1 is a perspective view of the new design for a faucet; FIG. 2 is a front elevational view of the new design for a faucet;

FIG. 3 is a rear elevational view of the new design for a faucet.

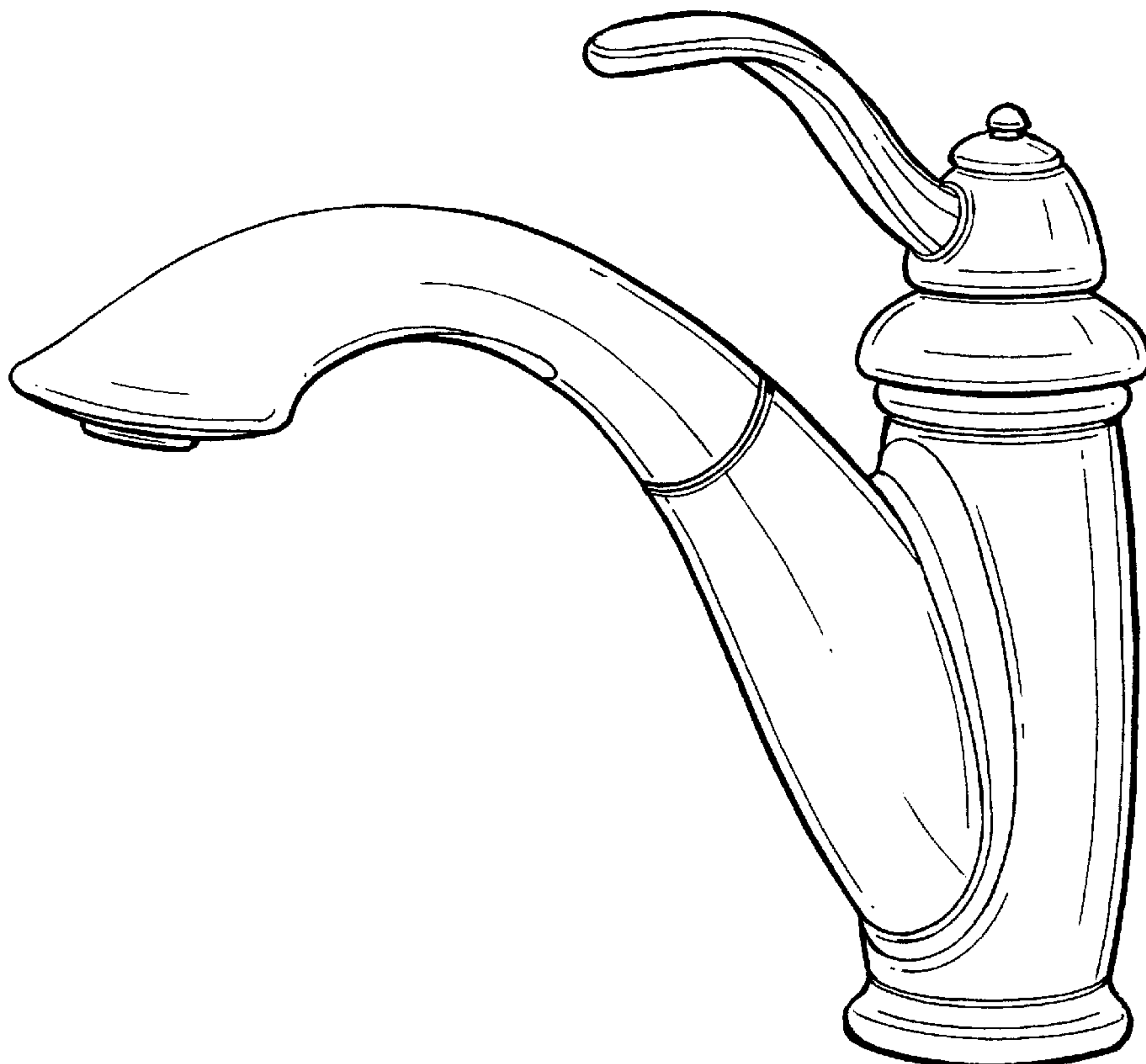
FIG. 4 is a right side elevational view of the new design for a faucet;

FIG. 5 is a left side elevational view of the new design for a faucet;

FIG. 6 is a top plan view of the new design for a faucet; and, FIG. 7 is a bottom plan view of the new design for a faucet.

The broken lines in the Figures are for illustrative purposes only and form no part of the claimed design.

1 Claim, 3 Drawing Sheets



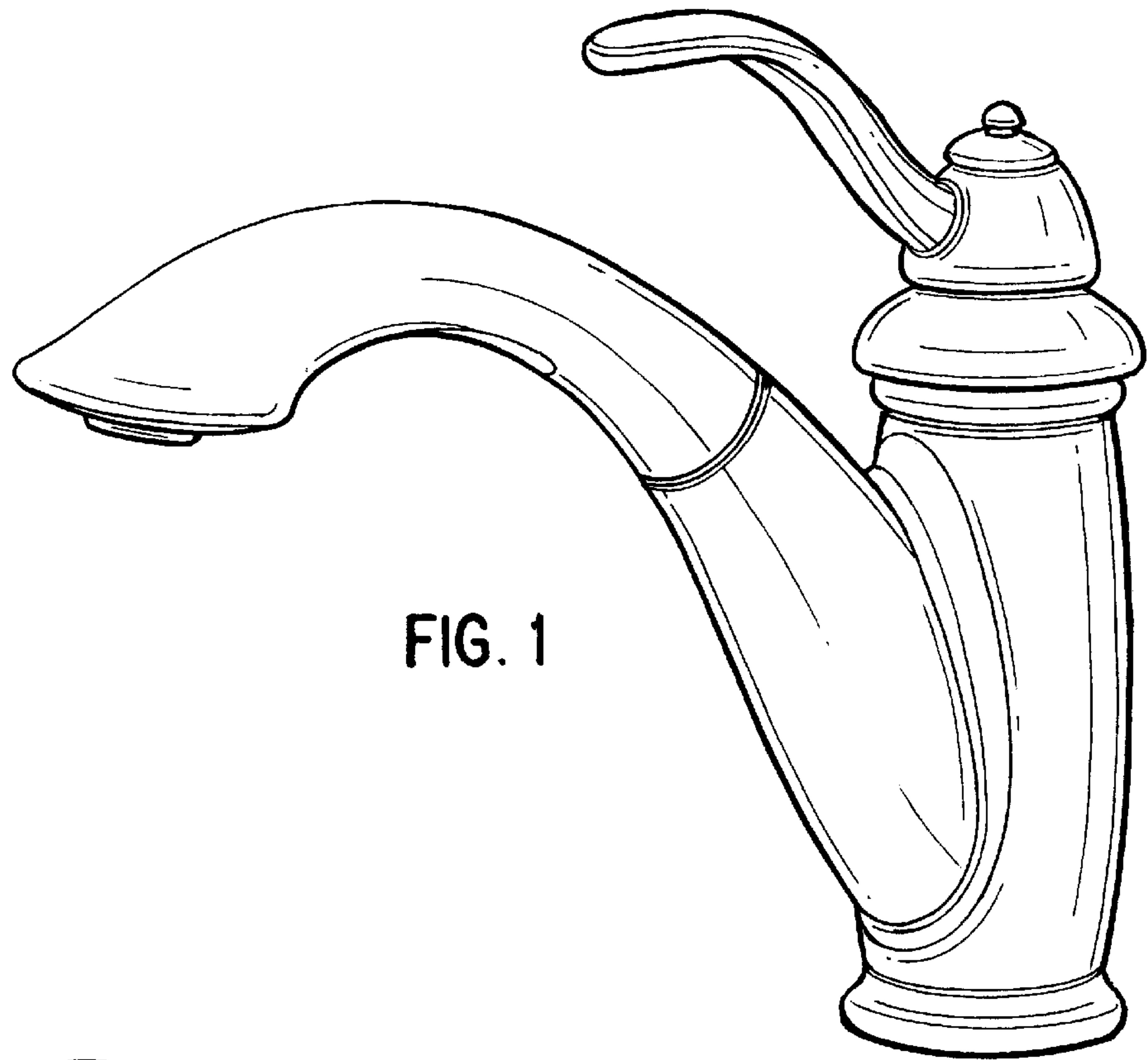


FIG. 1

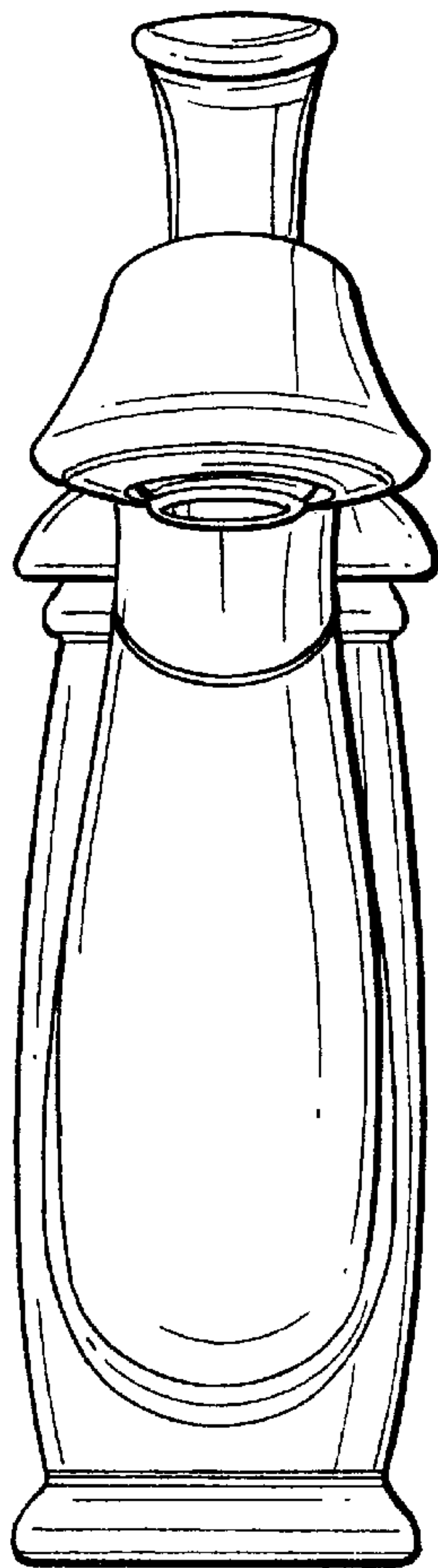


FIG. 2

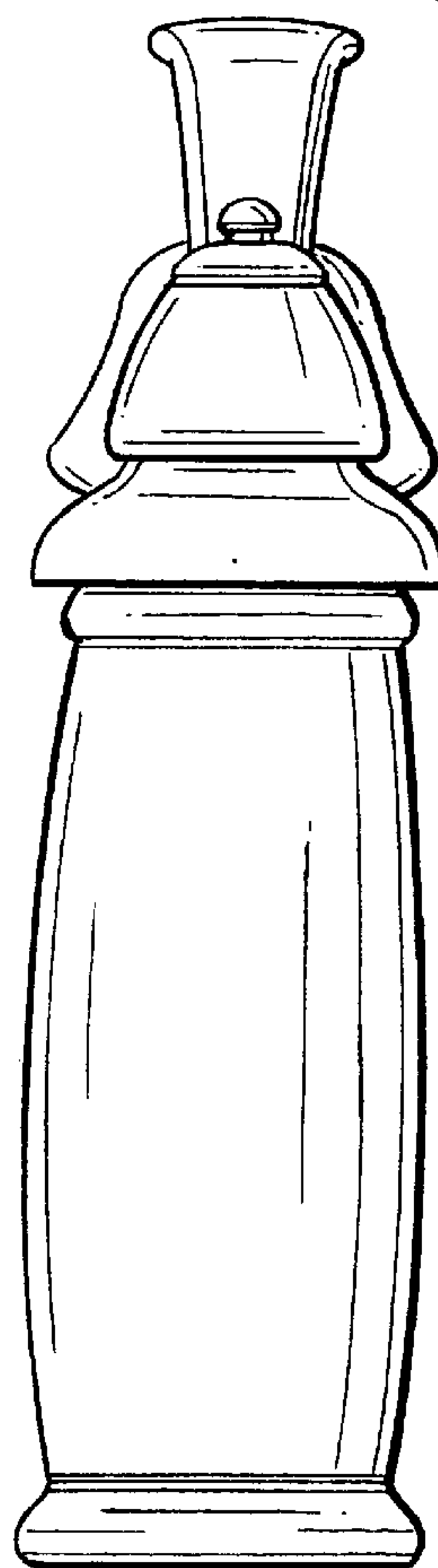


FIG. 3

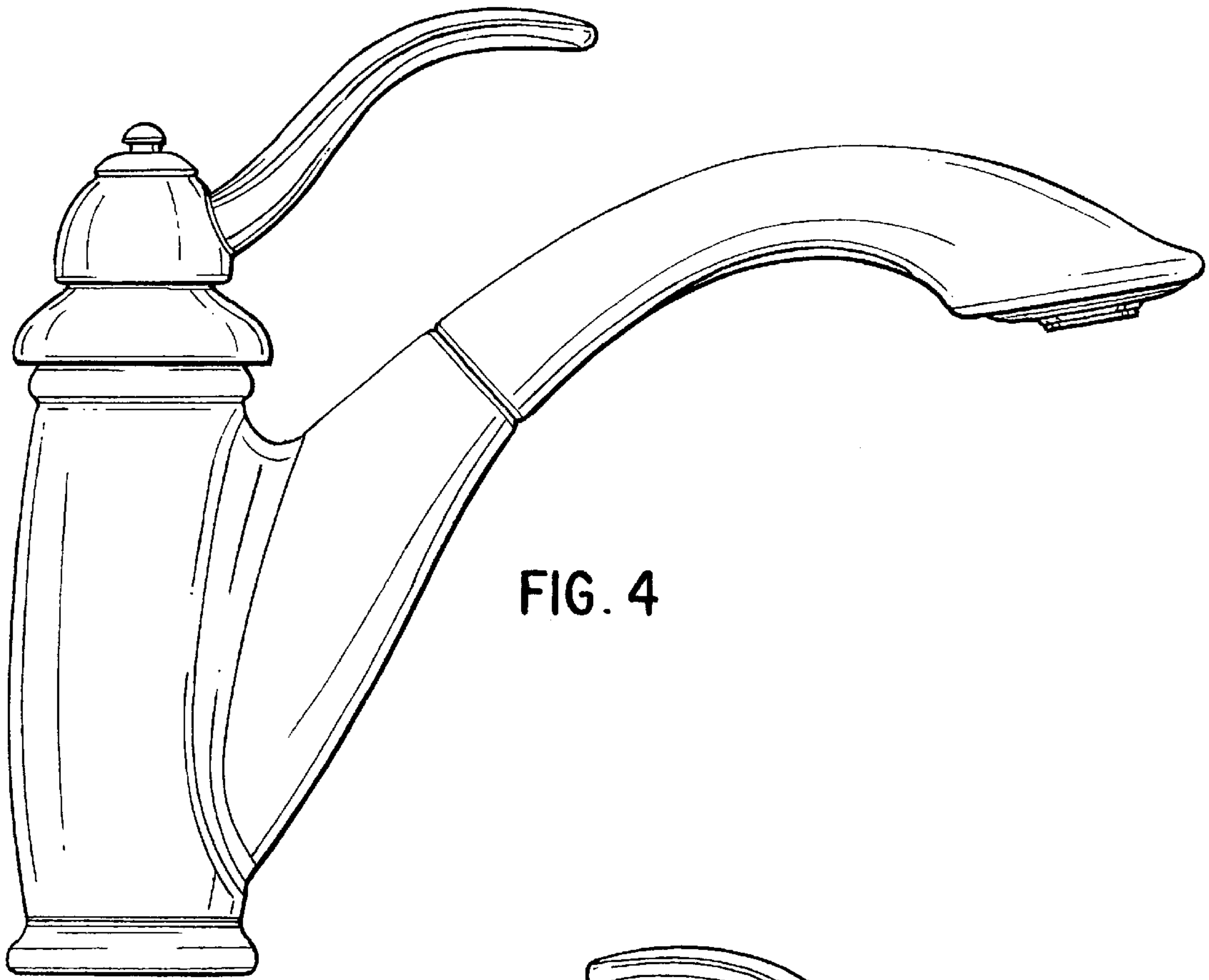


FIG. 4

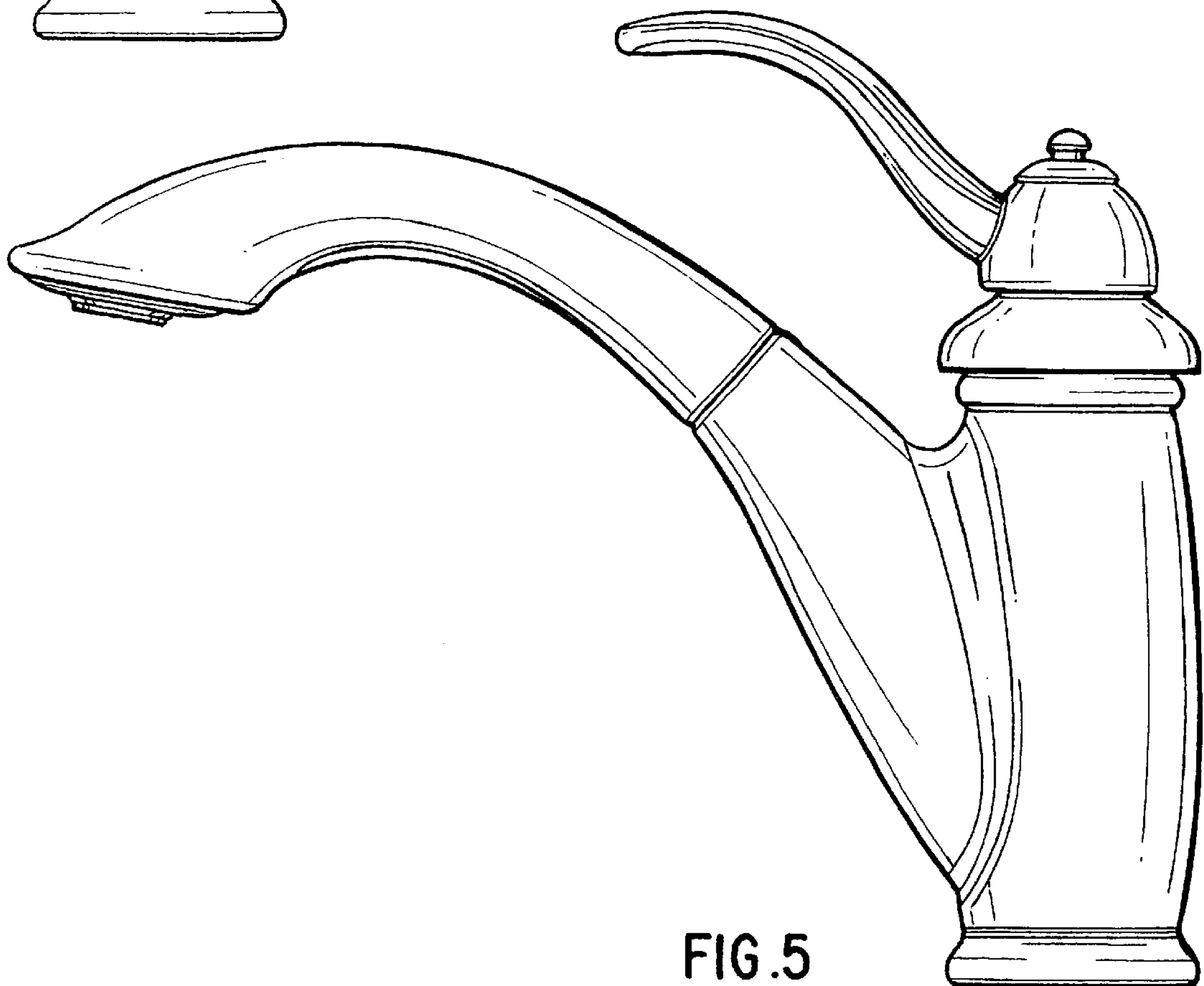


FIG. 5

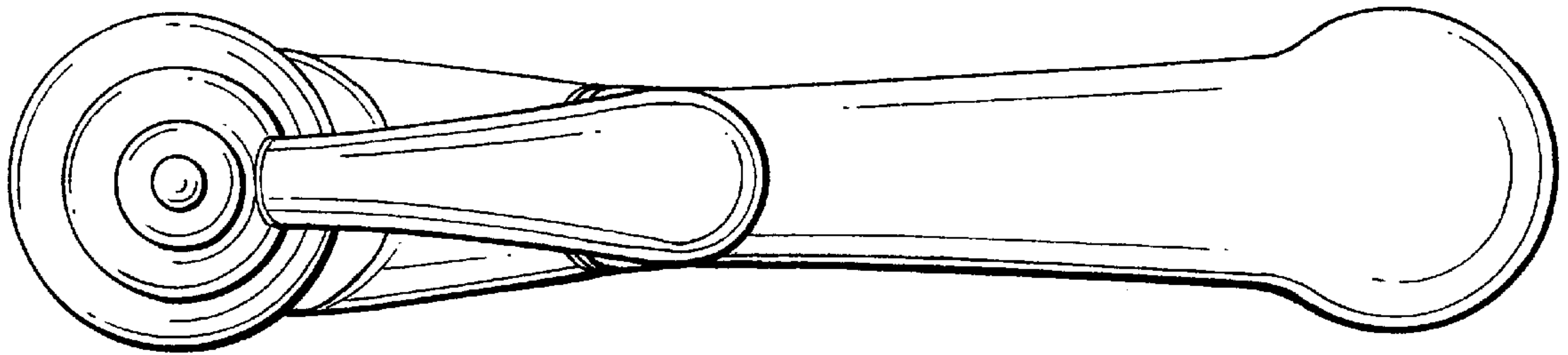


FIG. 6

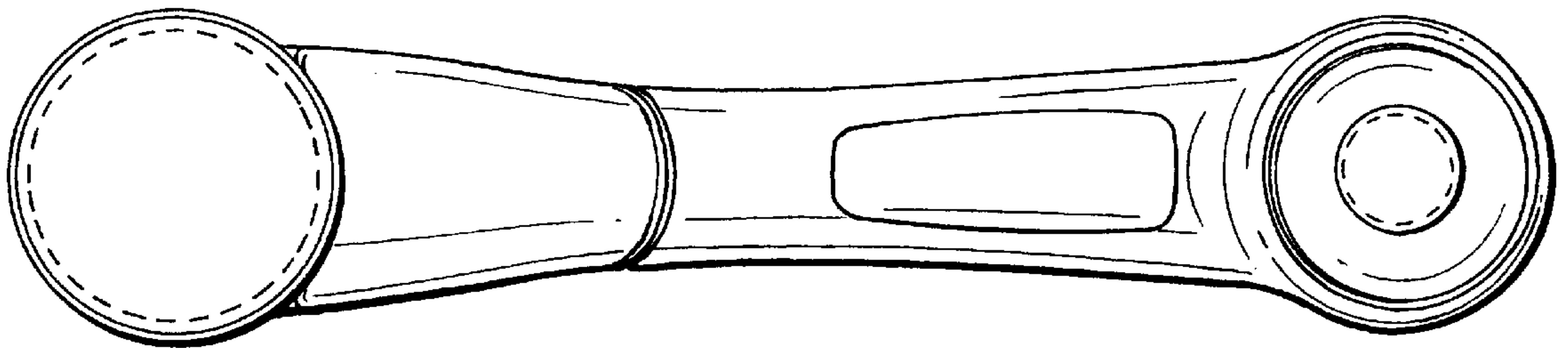


FIG. 7