



US00D476718S

(12) **United States Design Patent**
Ferrer Beltran

(10) **Patent No.:** **US D476,718 S**

(45) **Date of Patent:** **** Jul. 1, 2003**

(54) **ADAPTOR WITH A FILTER THAT CAN BE COUPLED TO VALVES FOR FLUIDS**

6,460,894 B1 * 10/2002 Weh et al. 210/447
6,494,325 B1 * 12/2002 Mizrahi 210/447

(75) Inventor: **Jose M. Ferrer Beltran, Foyos (ES)**

* cited by examiner

(73) Assignee: **Valvulas Arco, S.A. (ES)**

Primary Examiner—Robin V. Taylor

(**) Term: **14 Years**

(74) *Attorney, Agent, or Firm*—Lackenbach Siegel LLP

(21) Appl. No.: **29/169,598**

(57) **CLAIM**

(22) Filed: **Oct. 22, 2002**

The ornamental design of an adaptor with a filter that can be coupled to valves for fluids, as shown and described.

(51) **LOC (7) Cl.** **23-01**

DESCRIPTION

(52) **U.S. Cl.** **D23/209; D23/233**

FIG. 1 is a perspective view of an adaptor with a filter that can be coupled to valves for fluids;

(58) **Field of Search** **D23/207, 209,**

D23/233; 55/501, 509; 210/447

FIG. 2 is a front elevational view of the adaptor of FIG. 1;

FIG. 3 is a top plan view of the adaptor of FIG. 1;

FIG. 4 is a left side elevational view of the adaptor of FIG. 1;

(56) **References Cited**

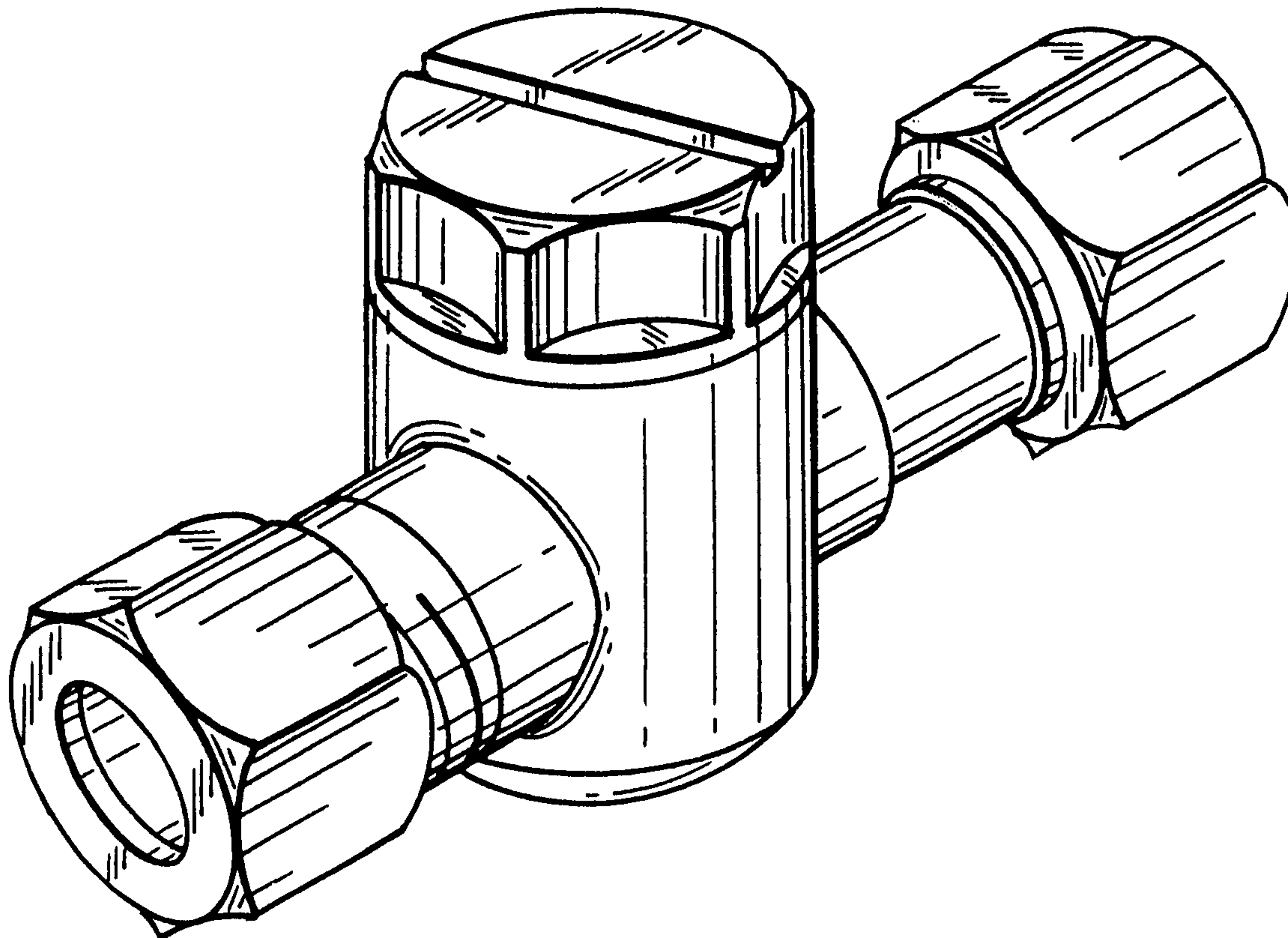
U.S. PATENT DOCUMENTS

- 4,886,533 A * 12/1989 Sakashita et al. 55/509
- D318,713 S * 7/1991 Miyake et al. D23/209
- 6,162,354 A * 12/2000 Yang et al. 210/447
- D440,295 S * 4/2001 Honma D23/365

FIG. 5 is a right side elevational view of the adaptor of FIG. 1; and,

FIG. 6 is a bottom view of the adaptor of FIG. 1.

1 Claim, 3 Drawing Sheets



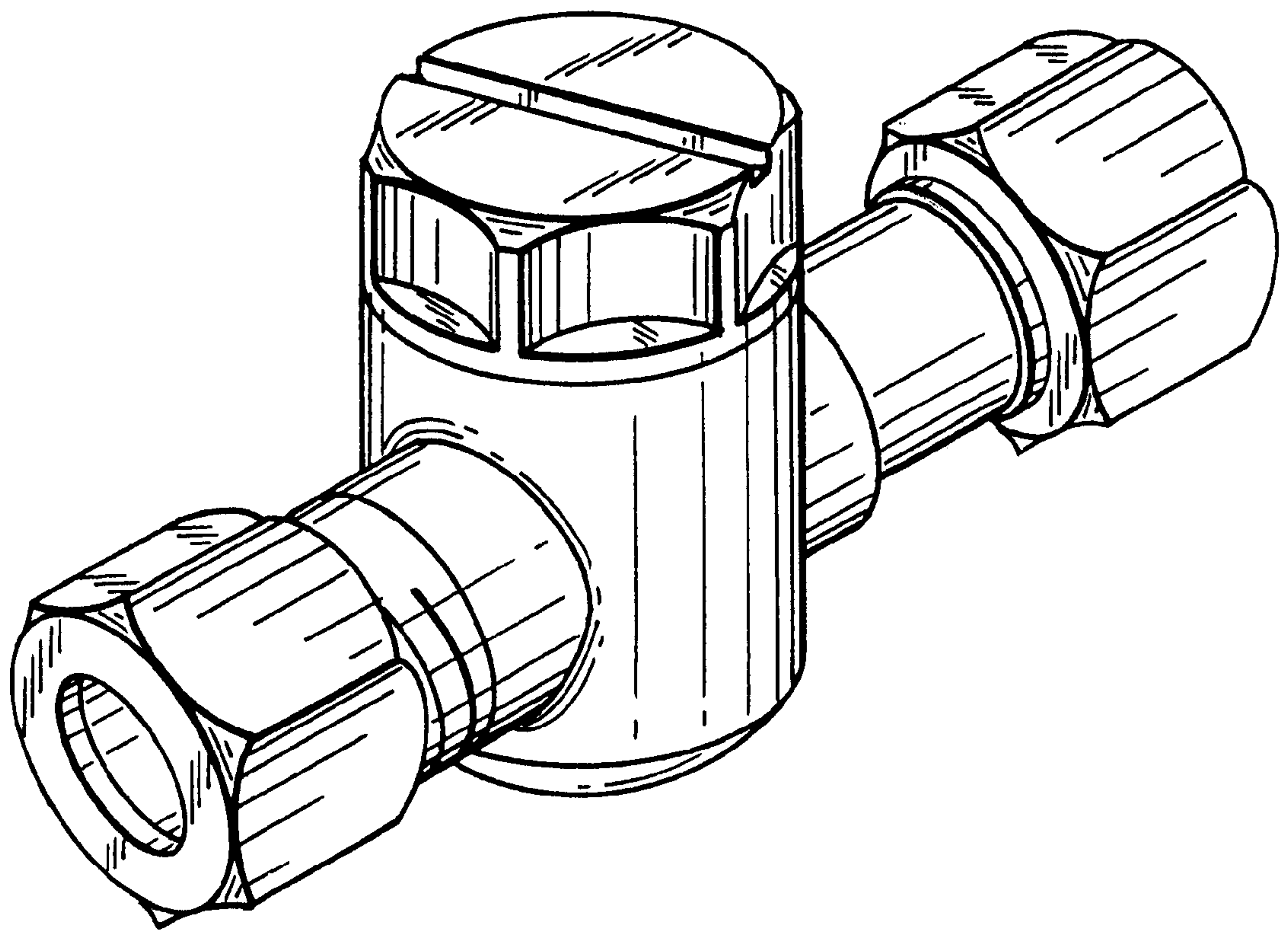


FIG. 1

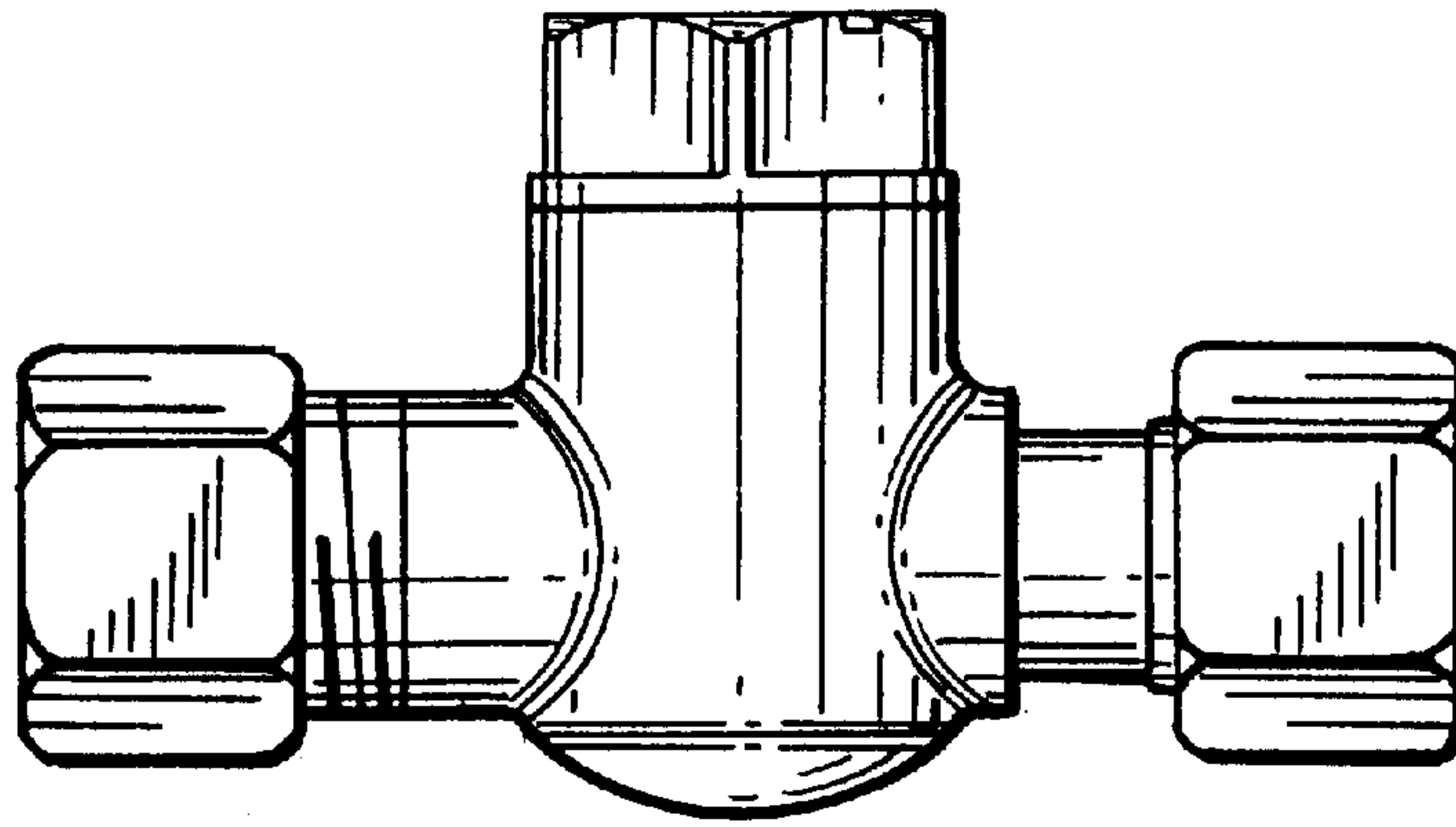


FIG. 2

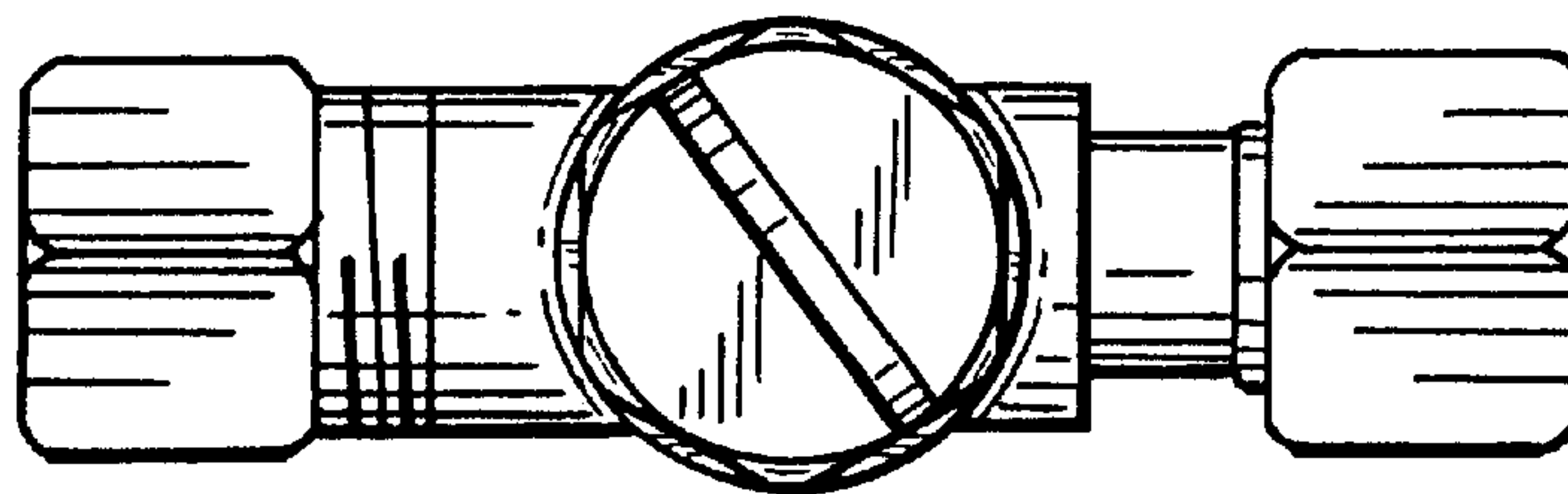


FIG. 3

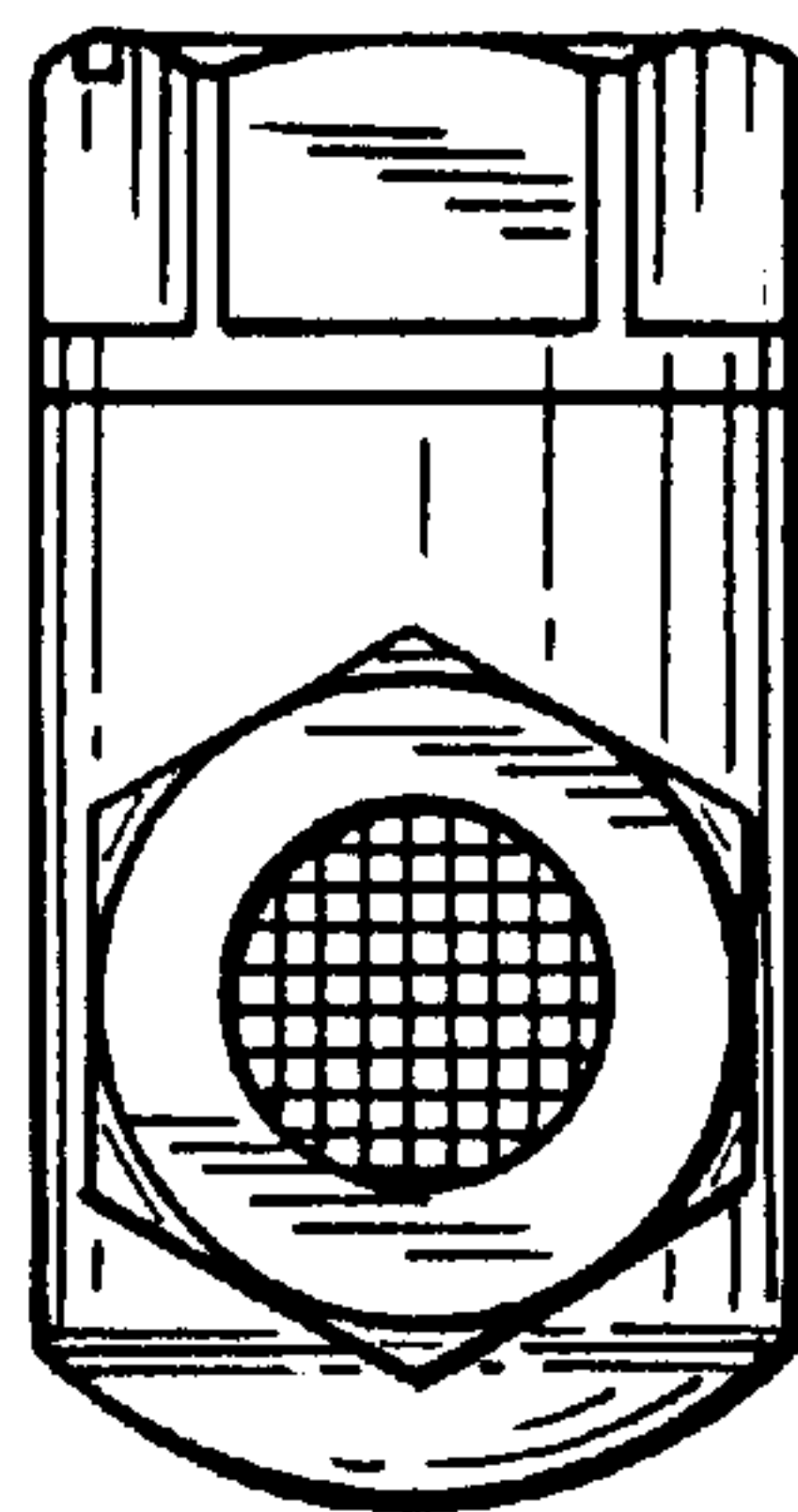


FIG. 4

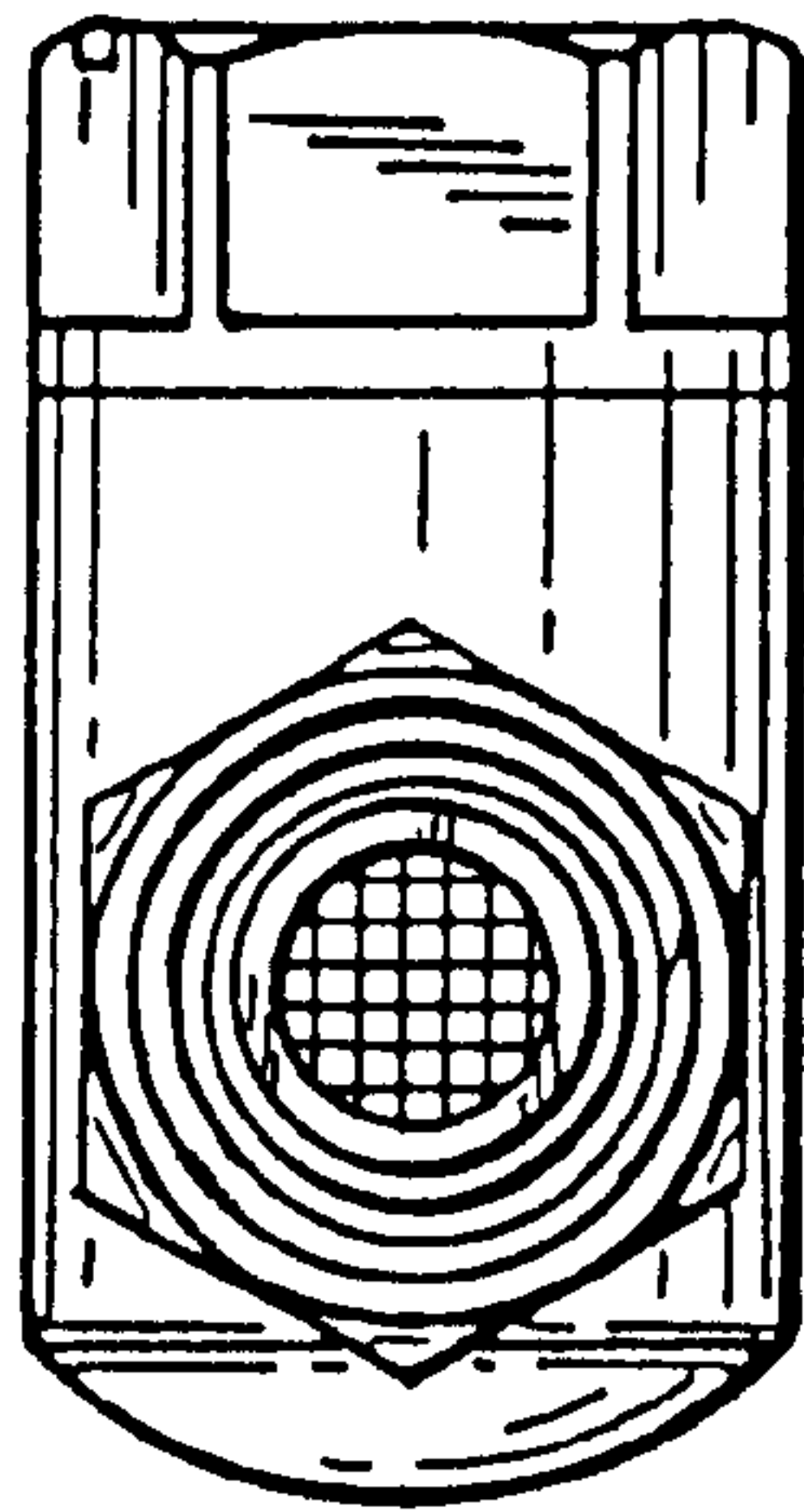


FIG. 5

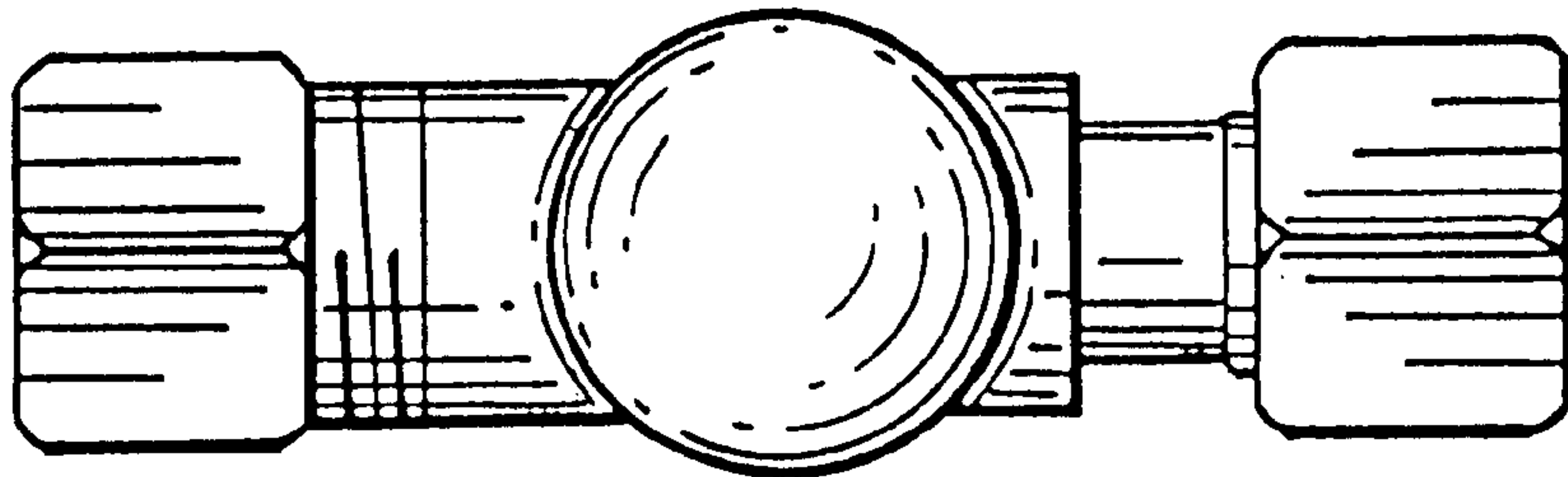


FIG. 6