



US00D476716S

(12) **United States Design Patent**
Wegman

(10) **Patent No.:** **US D476,716 S**

(45) **Date of Patent:** **** Jul. 1, 2003**

(54) **SWEPT-BACK ROD HOLDER**

(75) Inventor: **Charles Wegman**, Greensboro, NC
(US)

(73) Assignee: **C.E. Smith Co., Inc.**, Greensboro, NC
(US)

(**) Term: **14 Years**

(21) Appl. No.: **29/159,480**

(22) Filed: **Apr. 22, 2002**

(51) **LOC (7) Cl.** **22-05**

(52) **U.S. Cl.** **D22/147**

(58) **Field of Search** D22/147, 148;
43/212, 15; 248/514, 515, 512, 538, 520,
156

(56) **References Cited**

U.S. PATENT DOCUMENTS

1,793,910	A	*	2/1931	Cuthbert et al.	248/514
D202,353	S	*	9/1965	Wester	D22/147
3,783,547	A	*	1/1974	Bystrom et al.	43/21.2
4,827,654	A	*	5/1989	Roberts	43/21.2
D337,807	S	*	7/1993	Hoover	D22/147
D377,387	S	*	1/1997	Mathewson	D22/147
D393,690	S	*	4/1998	Lovelady et al.	D22/147
D414,239	S	*	9/1999	Lovelady et al.	D22/147

OTHER PUBLICATIONS

Photocopy of p. 94 from Melton International Tackle catalog showing rod holders; 2000.

Photocopy of p. 144 from Overton's catalog showing rod holders; 2001.

Photocopy of pp. 277 and 278 from Boater's world catalog showing rod holders; 2001.

* cited by examiner

Primary Examiner—Catherine R. Oliver

(74) *Attorney, Agent, or Firm*—MacCord Mason PLLC

(57) **CLAIM**

The ornamental design for a swept-back rod holder, as shown and described.

DESCRIPTION

FIG. 1 is a side view of a swept-back rod holder showing my new design;

FIG. 2 is a front view thereof;

FIG. 3 is a rear view thereof;

FIG. 4 is a top view thereof;

FIG. 5 is a bottom view thereof;

FIG. 6 is a side view of an alternate embodiment of a swept-back rod holder;

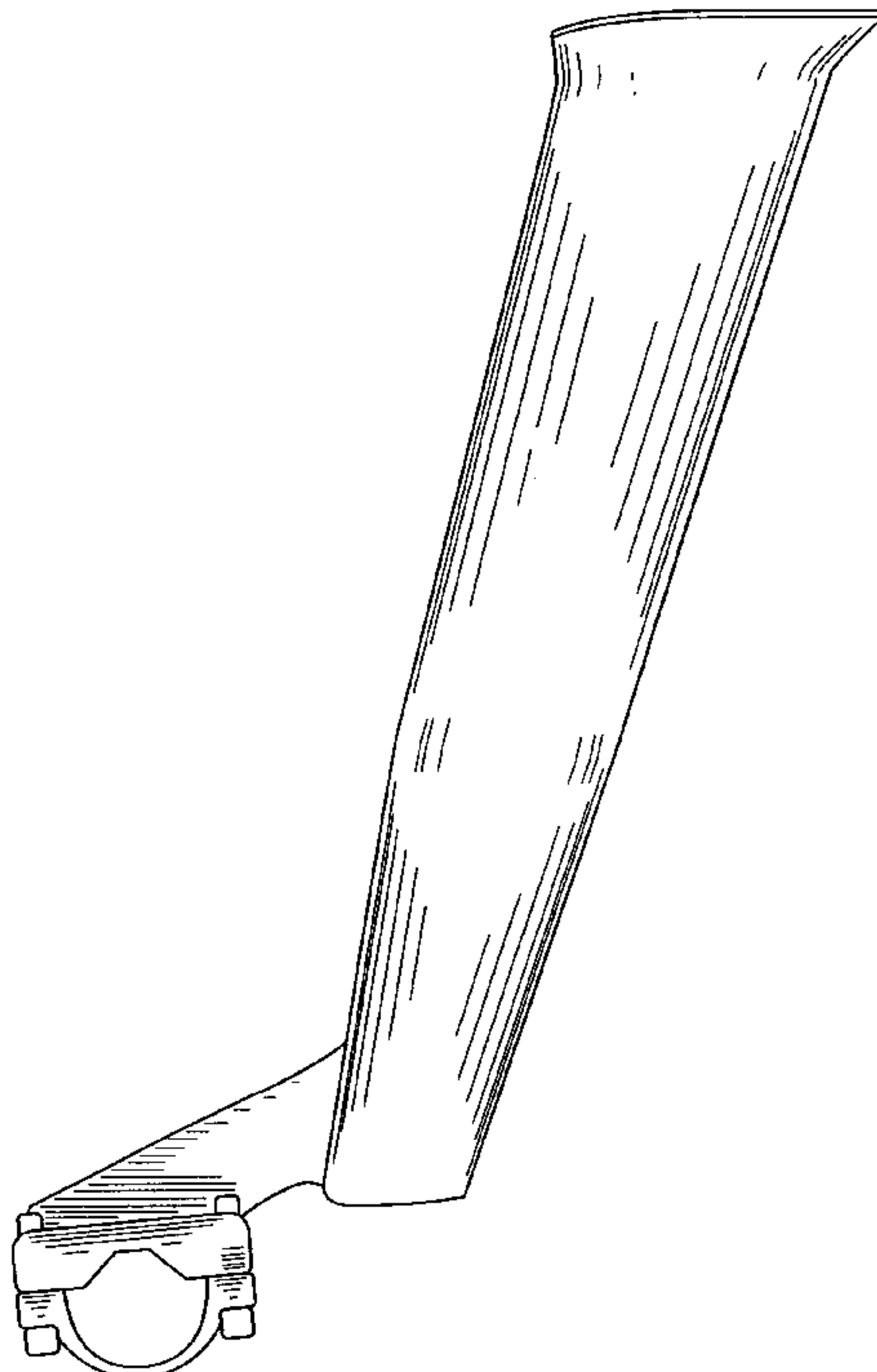
FIG. 7 is a front view of the second embodiment;

FIG. 8 is a rear view of the second embodiment;

FIG. 9 top view of the second embodiment; and,

FIG. 10 is a bottom view of the second embodiment.

1 Claim, 10 Drawing Sheets



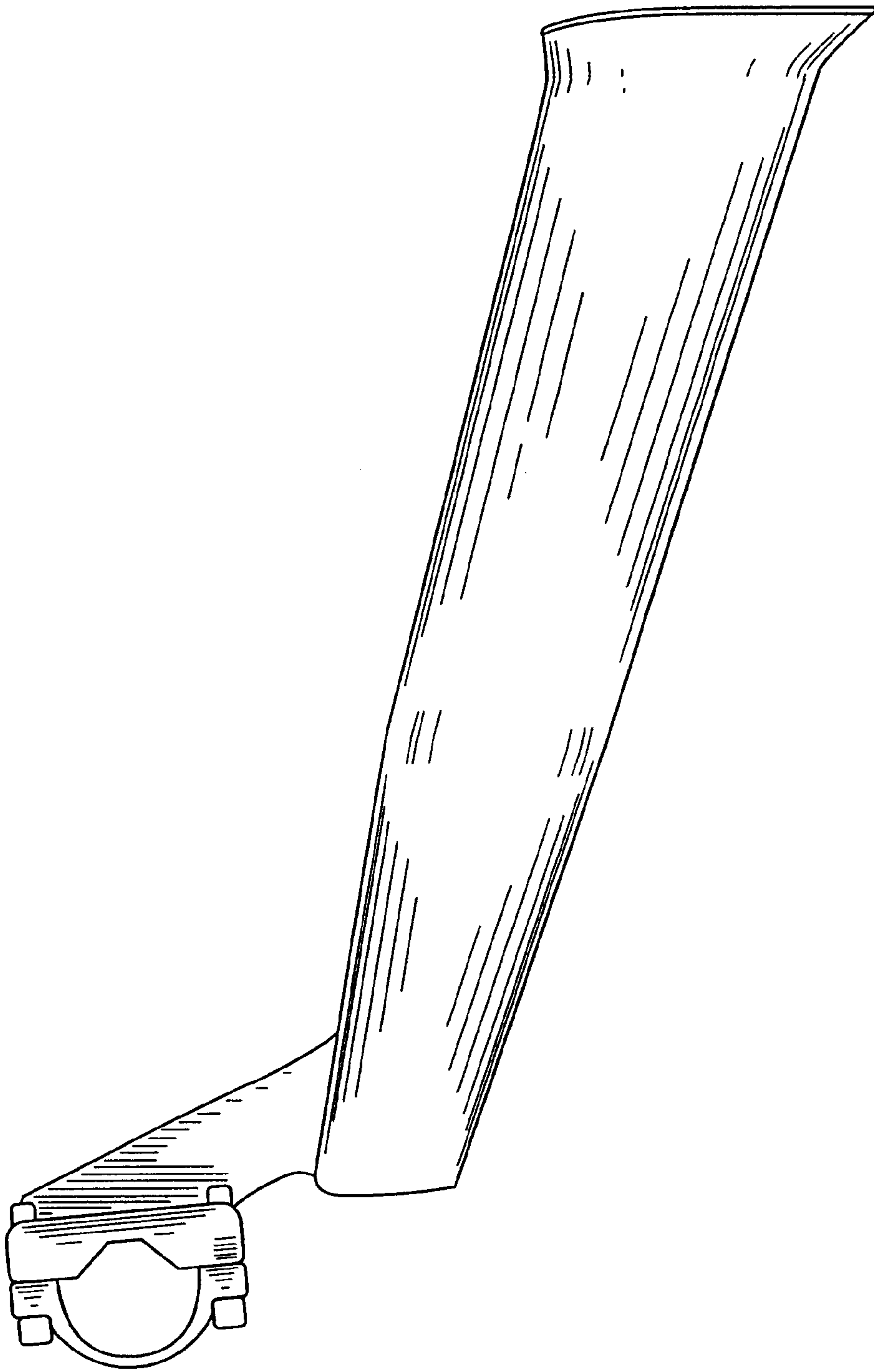


FIG. 1

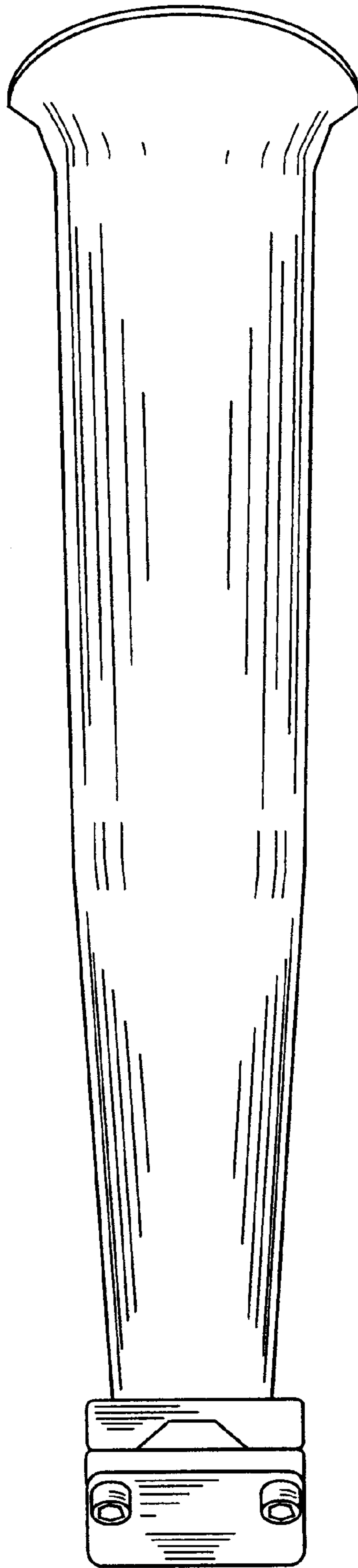


FIG. 2

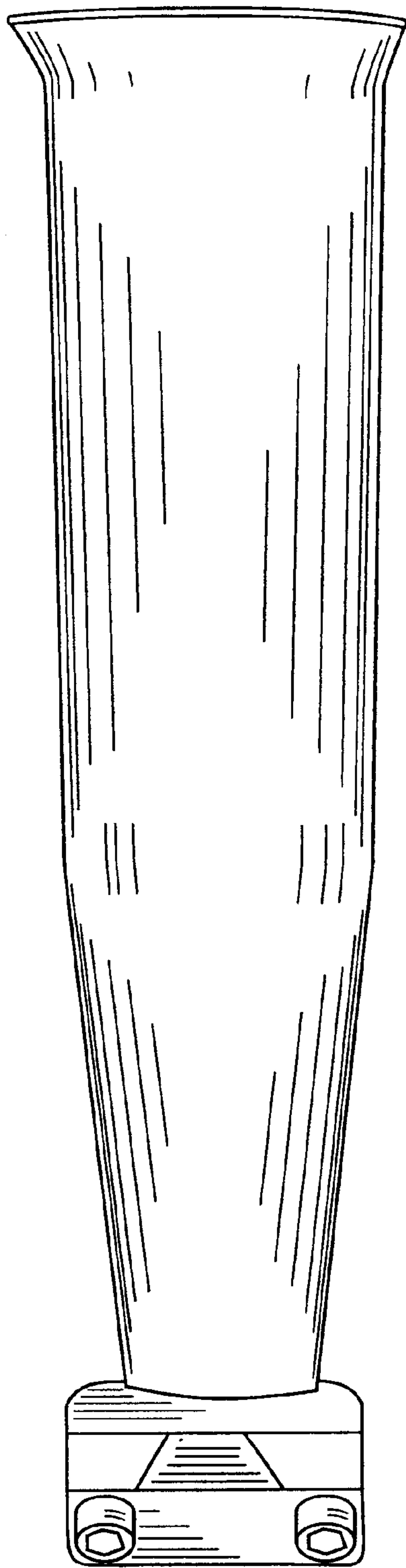


Fig 3

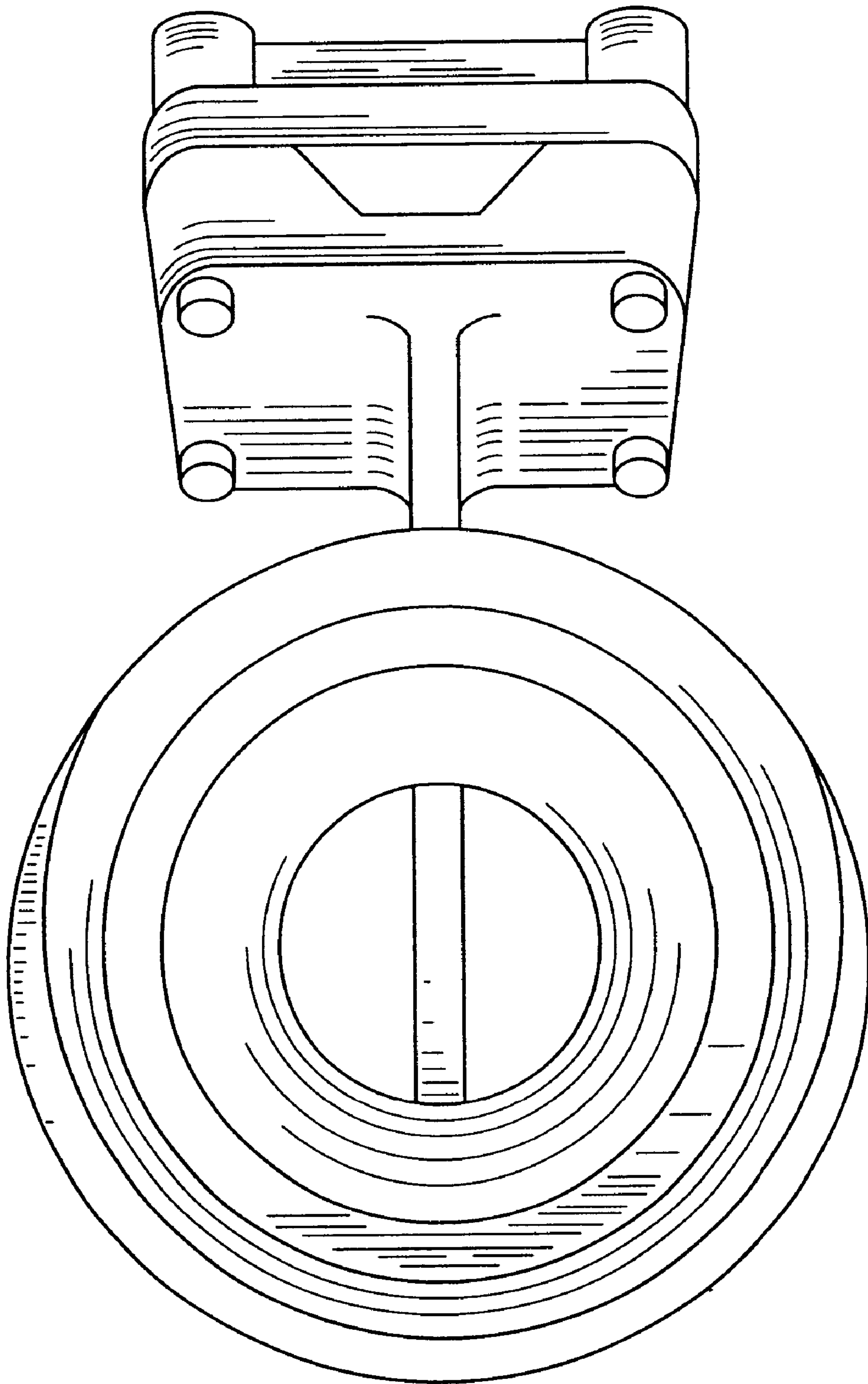


FIG. 4

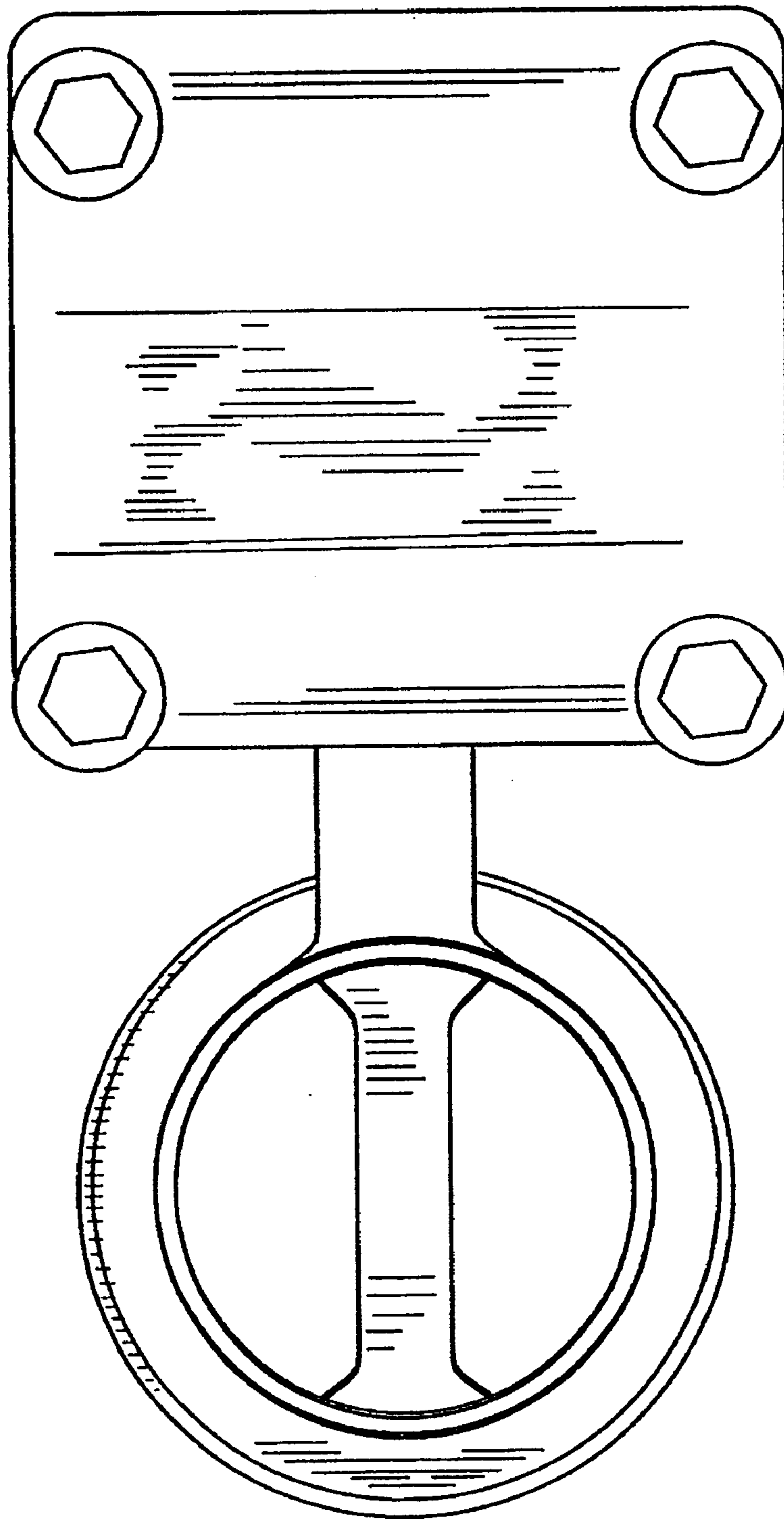


FIG. 5

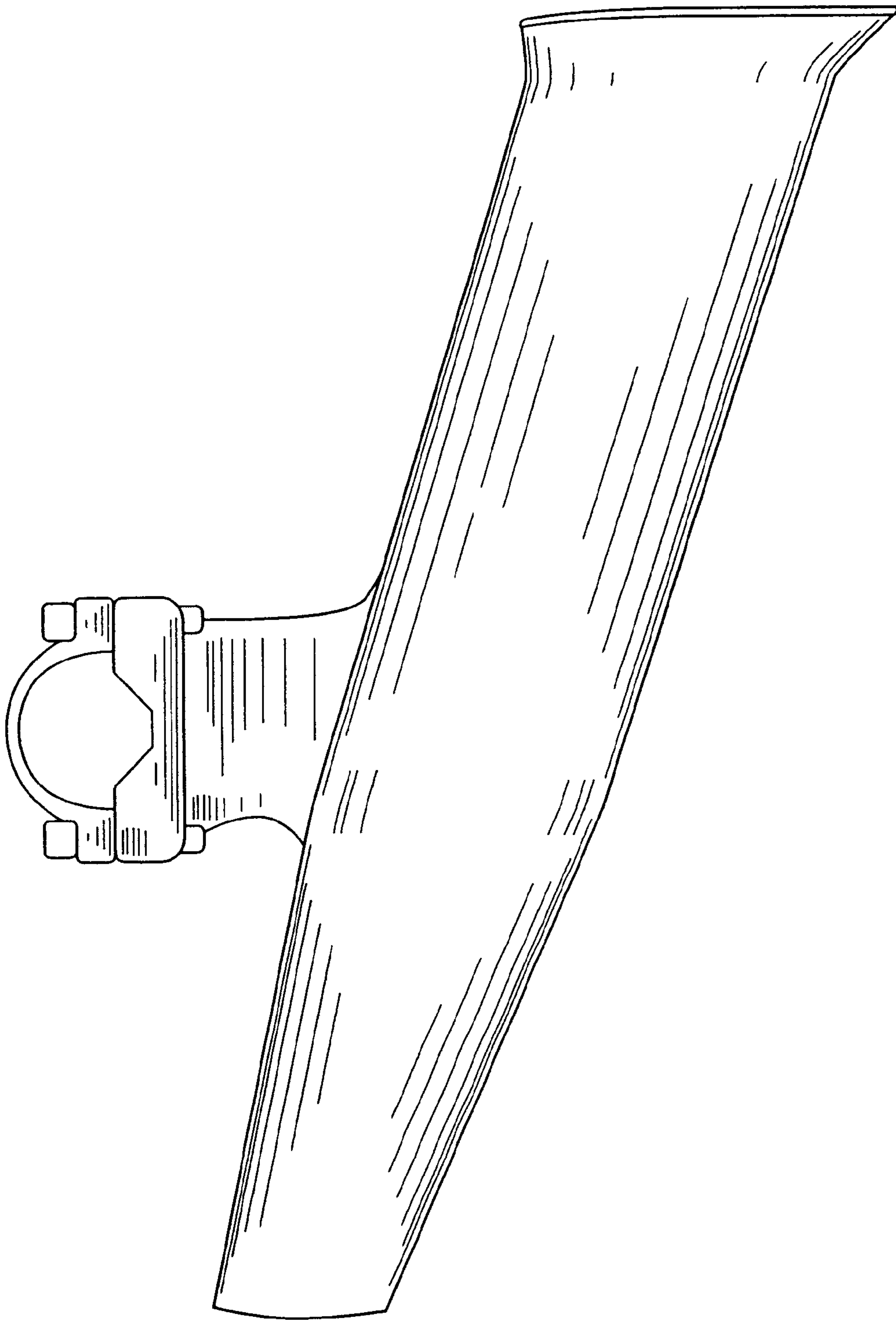


FIG. 6

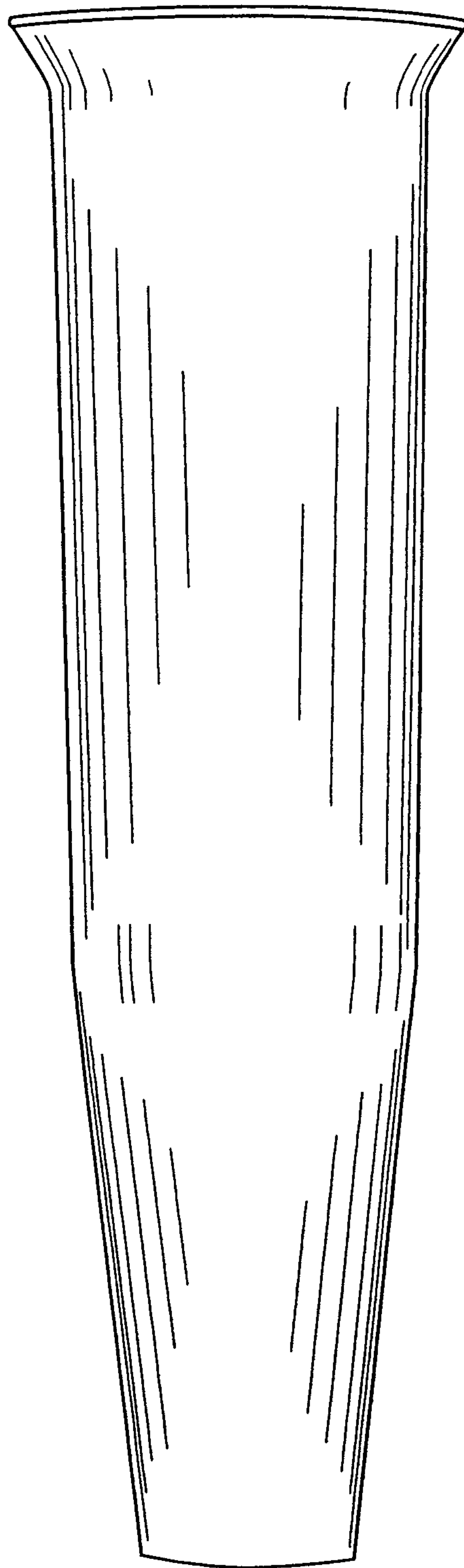


FIG. 7

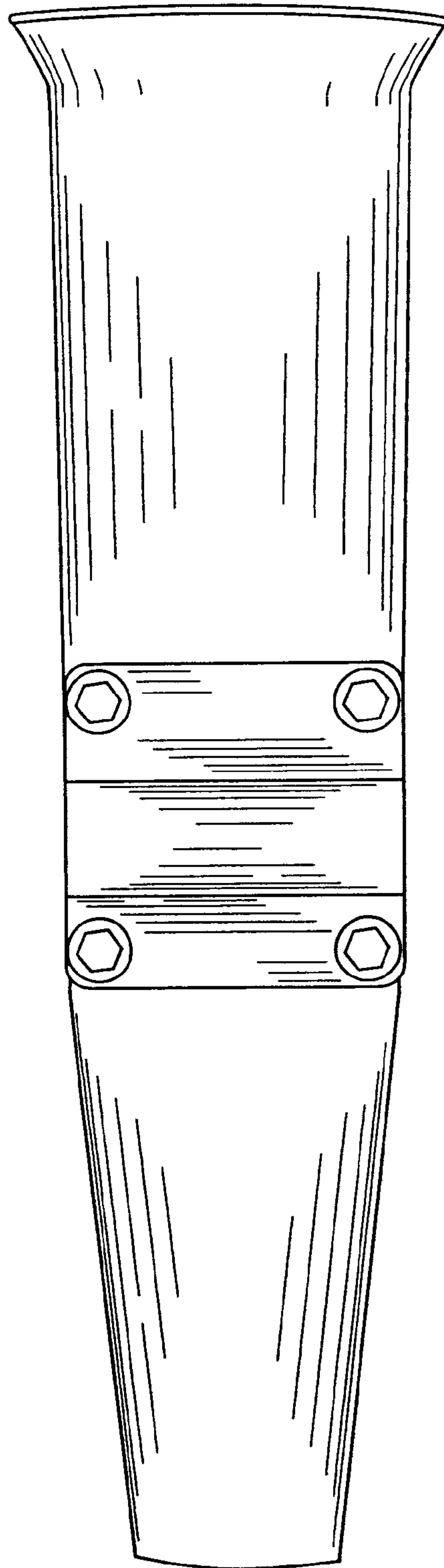


FIG. 8

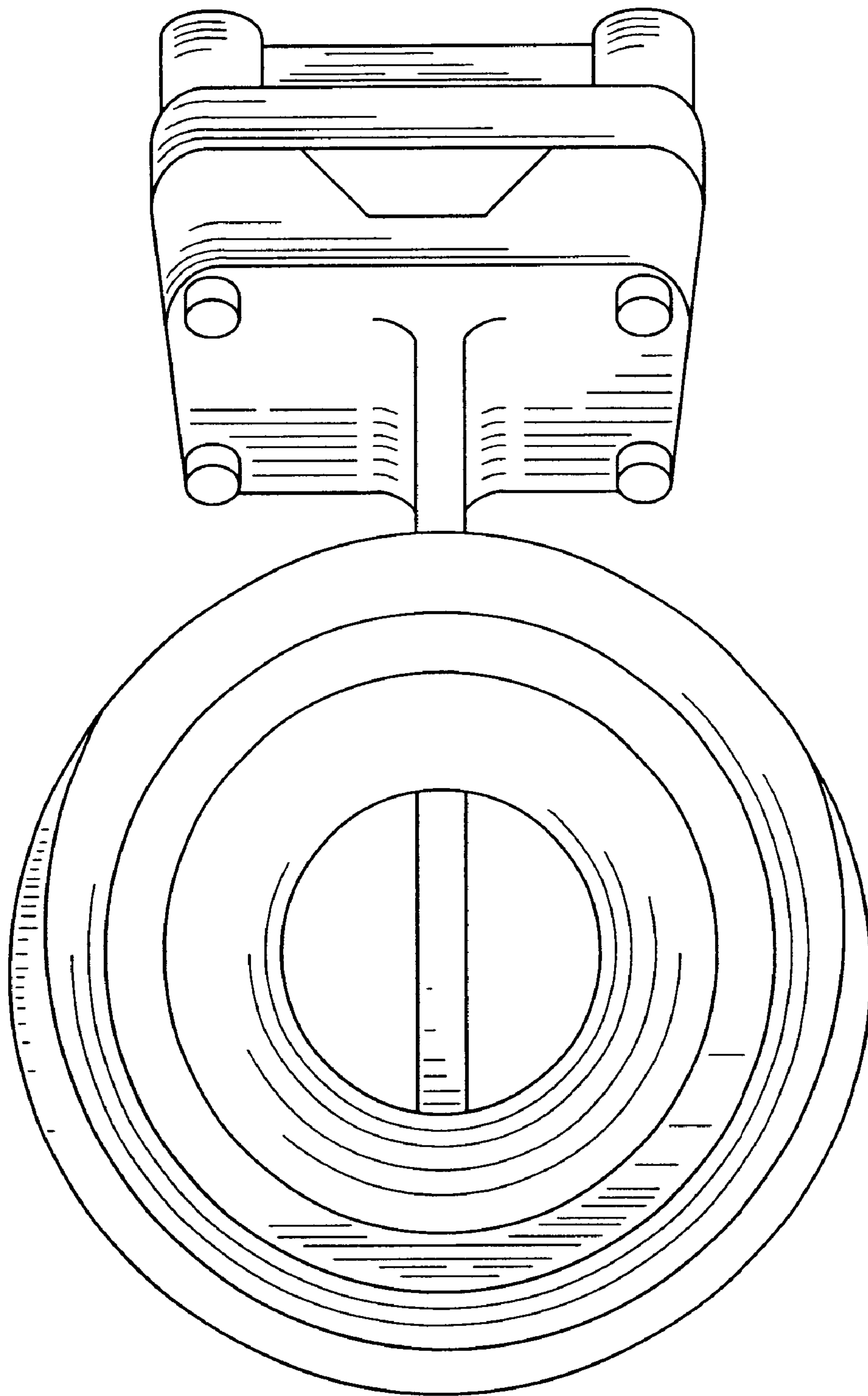


FIG. 9

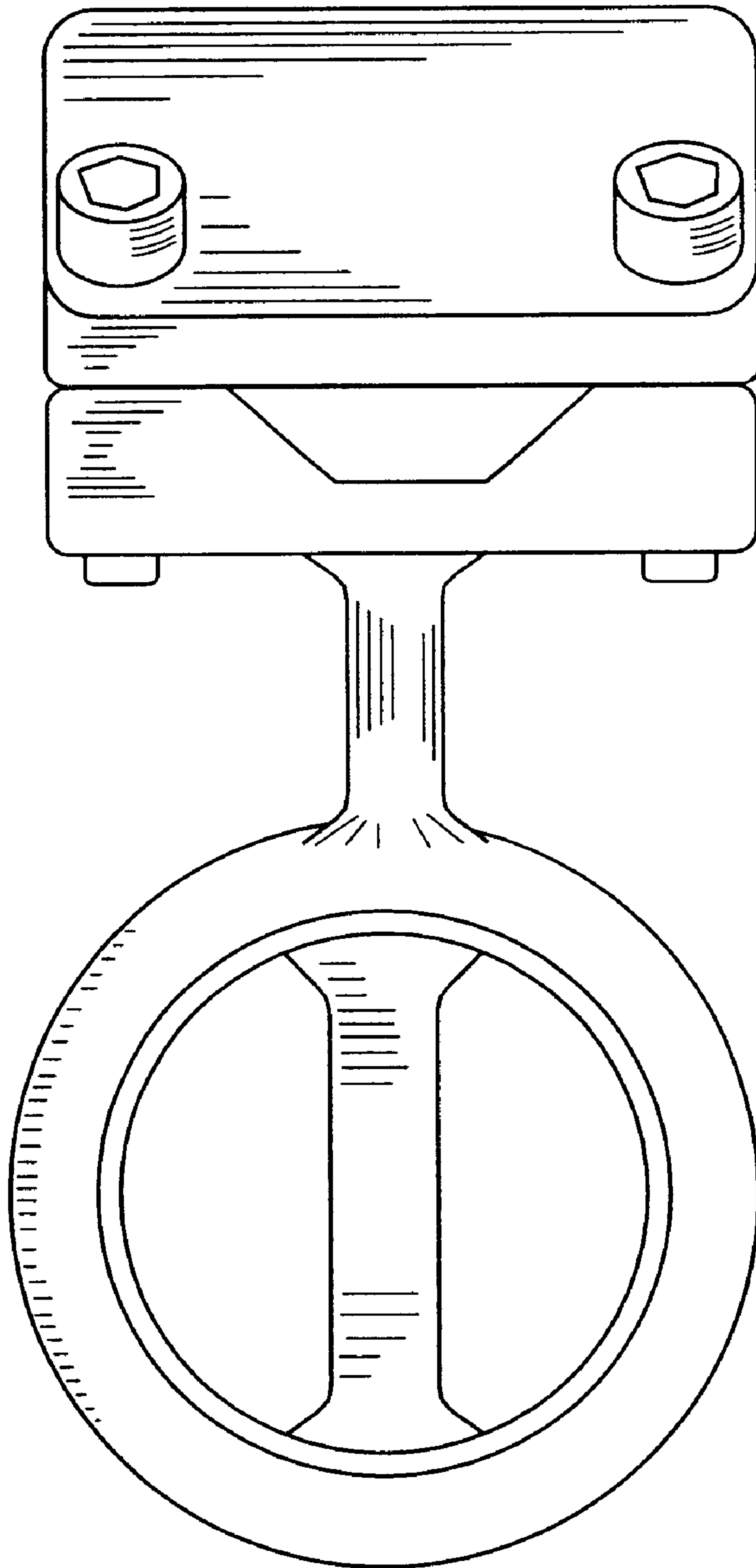


FIG. 10