



US00D476715S

(12) **United States Design Patent**  
**Robbins et al.**

(10) **Patent No.:** **US D476,715 S**  
(45) **Date of Patent:** **\*\* Jul. 1, 2003**

(54) **BAIT CASTING FISHING REEL**

(75) Inventors: **Richard J. Robbins**, Derby, KS (US);  
**Hyunkyu Kim**, Broken Arrow, OK (US)

(73) Assignee: **Brunswick Corporation**, Tulsa, OK (US)

(\*\*) Term: **14 Years**

(21) Appl. No.: **29/095,976**

(22) Filed: **Nov. 2, 1998**

**Related U.S. Application Data**

(62) Division of application No. 08/679,506, filed on Jul. 12, 1996, now Pat. No. 5,839,682.

(51) **LOC (7) Cl.** ..... **22-05**

(52) **U.S. Cl.** ..... **D22/140**

(58) **Field of Search** ..... D22/137, 140;  
242/223, 314, 370; 43/20, 19, 21

(56) **References Cited**

**U.S. PATENT DOCUMENTS**

D255,702 S \* 7/1980 Inuma ..... D22/140

D353,647 S \* 12/1994 Sakurai ..... D22/140  
D380,521 S \* 7/1997 Robbins ..... D22/141  
5,839,682 A \* 11/1998 Kim ..... 242/314

\* cited by examiner

*Primary Examiner*—Louis S. Zarfes

*Assistant Examiner*—I Hyttinen

(74) *Attorney, Agent, or Firm*—Wood, Phillips, VanSanten, Clark & Mortimer

(57) **CLAIM**

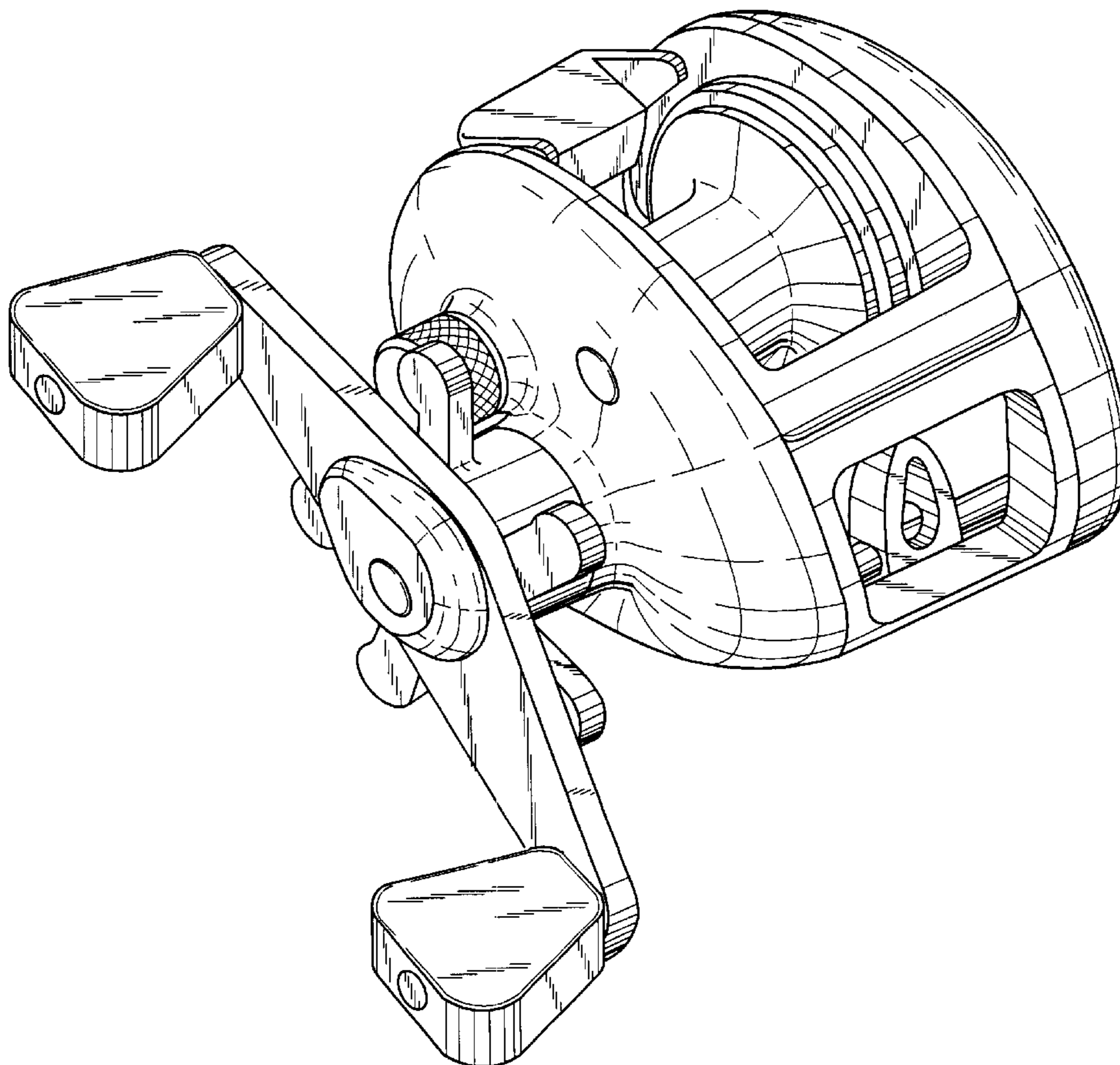
The ornamental design for a bait casting fishing reel, shown and described.

**DESCRIPTION**

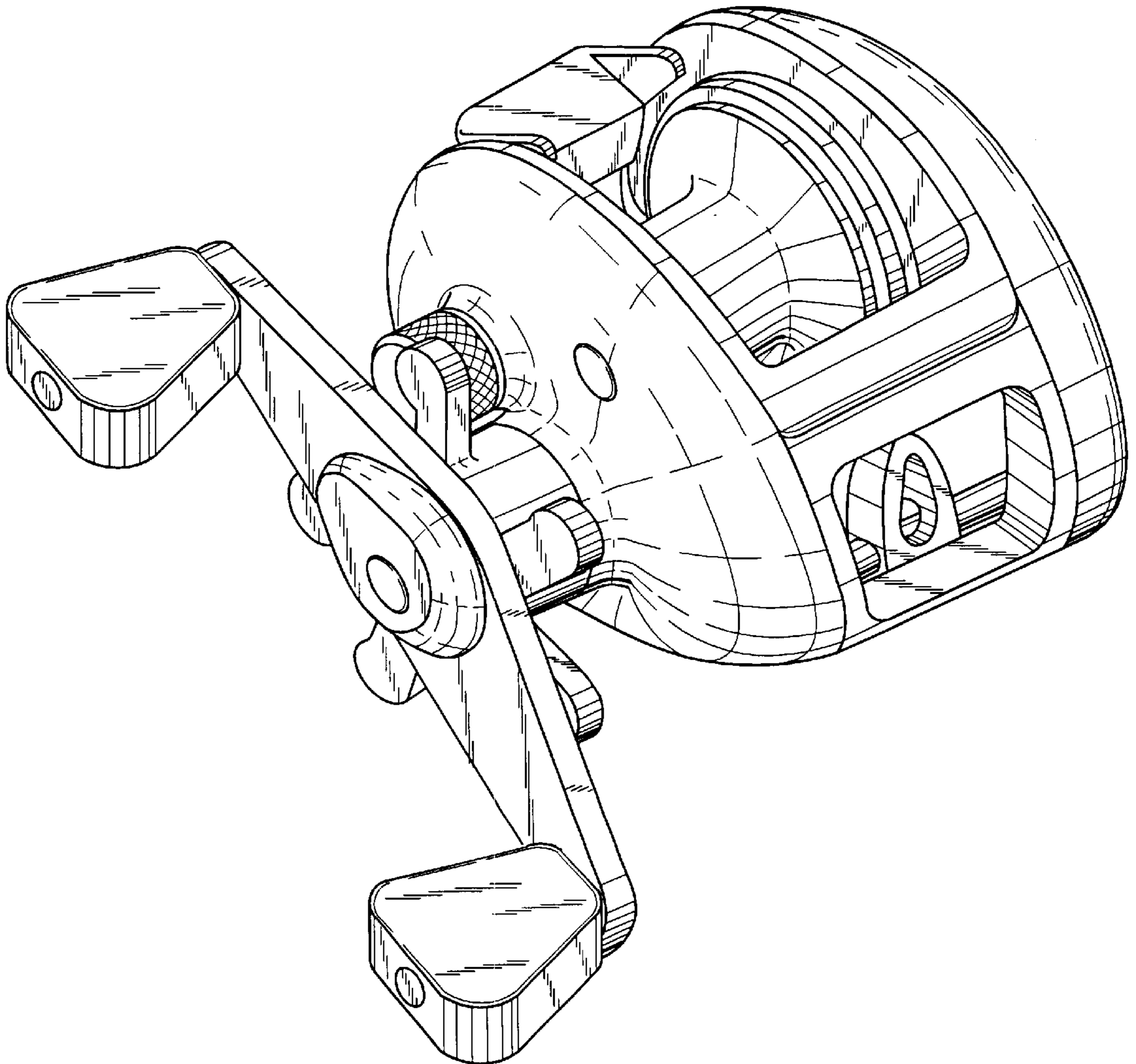
FIG. 1 is a right, front, and top perspective view of a bait casting fishing reel showing my new design;  
FIG. 2 is a plan view thereof shown on a reduced scale;  
FIG. 3 is a bottom view of FIG. 2;  
FIG. 4 is right side elevation view of FIG. 2;  
FIG. 5 is a left side elevation view FIG. 2;  
FIG. 6 is a rear elevation view of FIG. 2; and,  
FIG. 7 is a front elevation view of FIG. 2.

The portions of the drawings shown in dotted lines do not form a part of the claimed design.

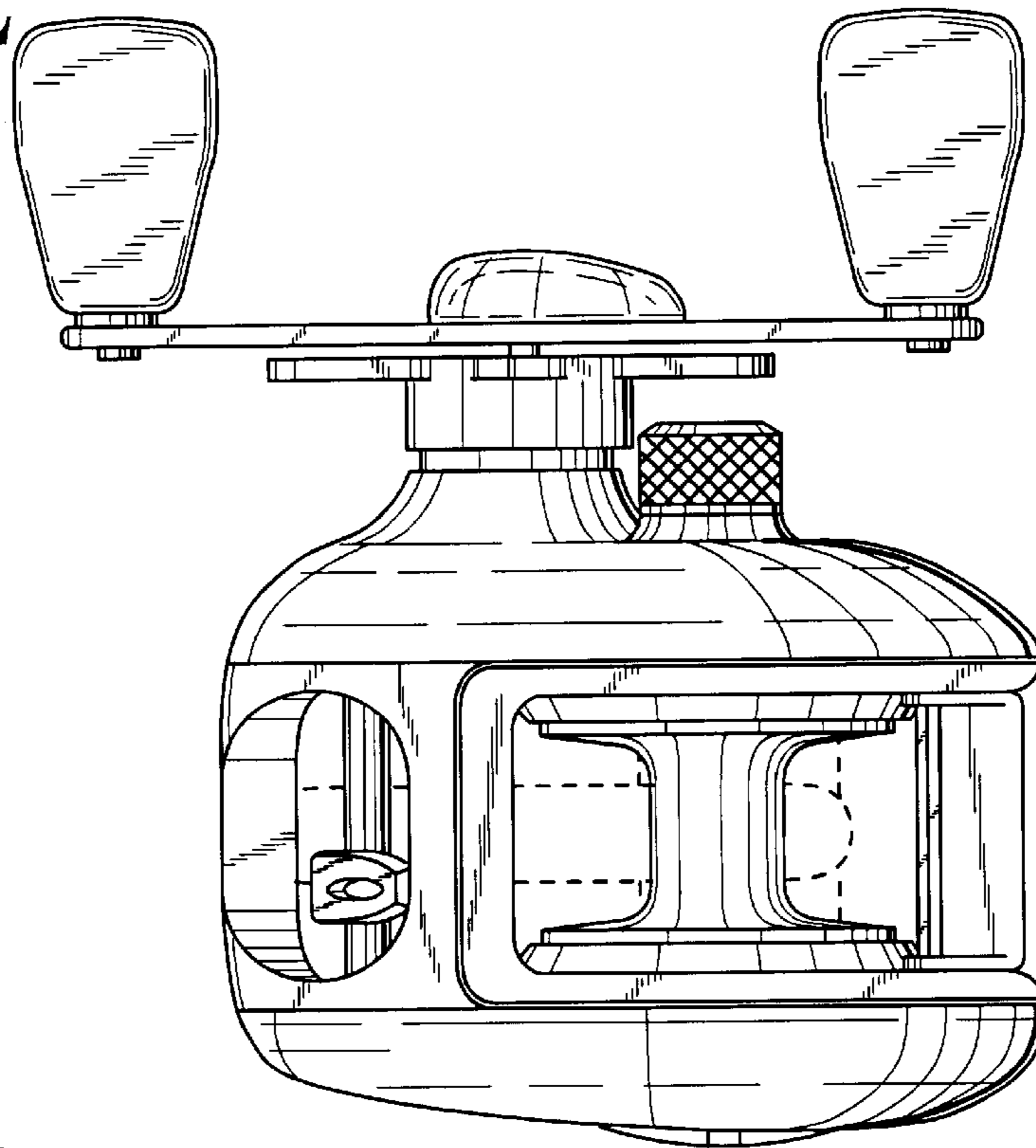
**1 Claim, 4 Drawing Sheets**



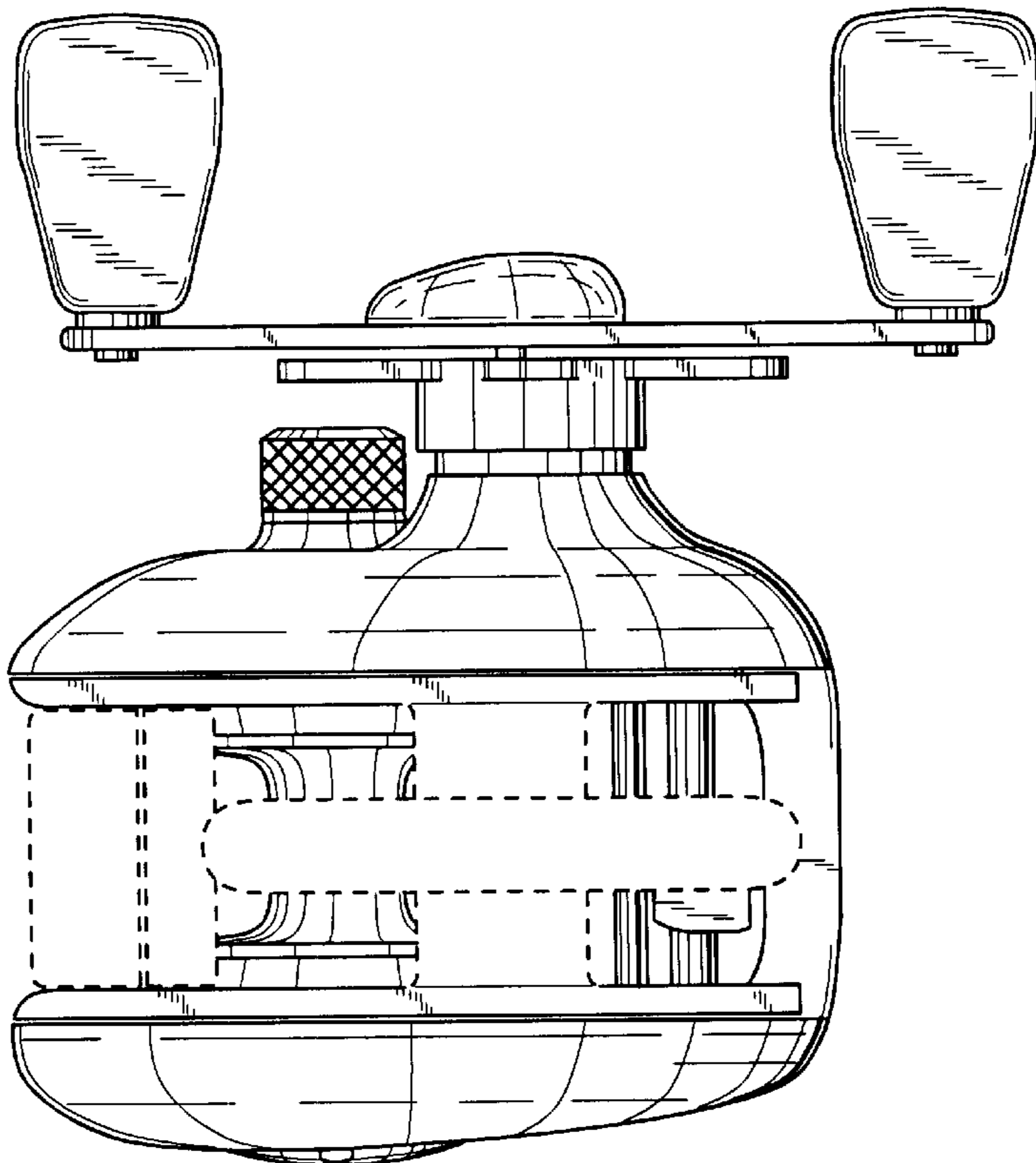
*Fig. 1*



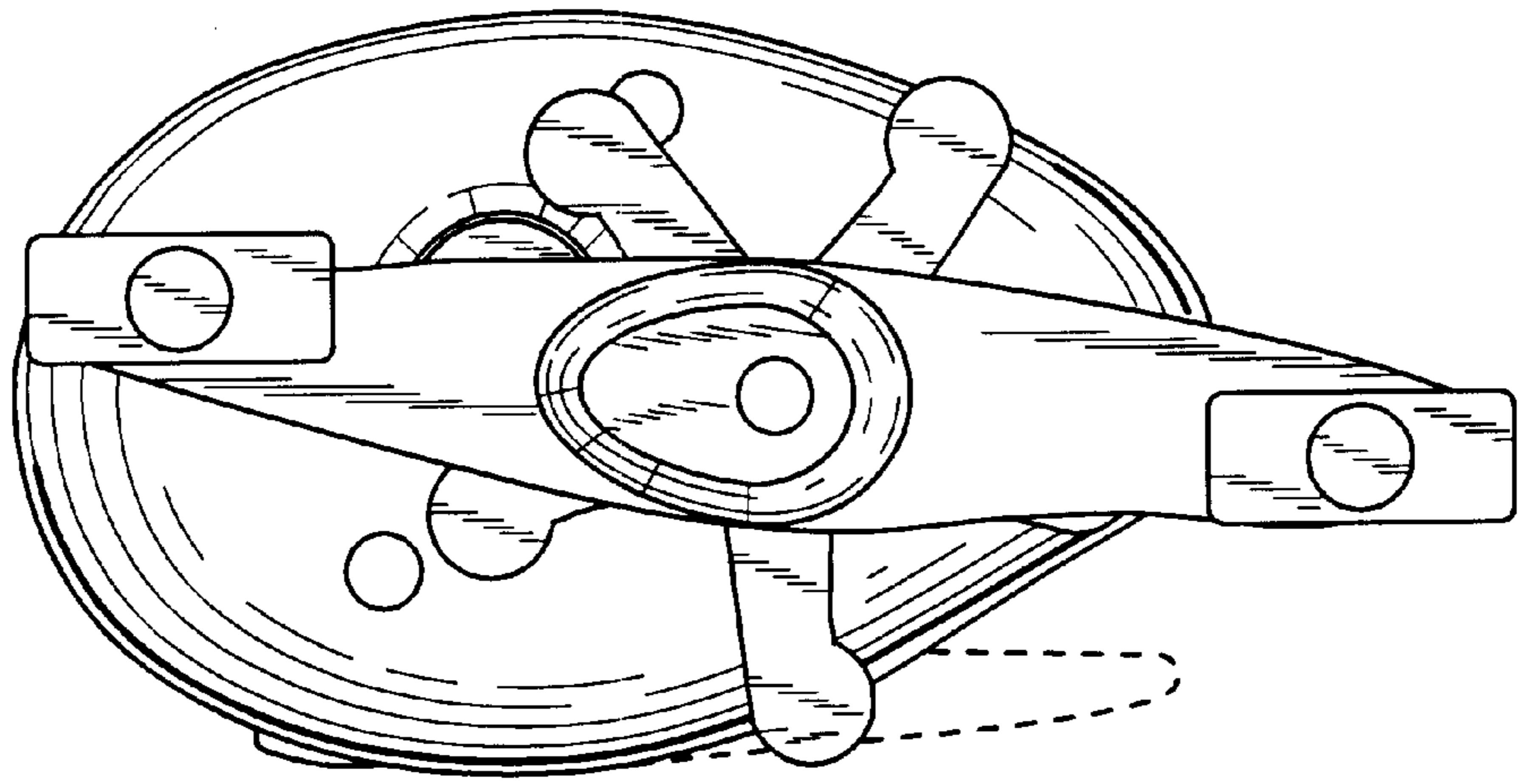
*Fig. 2*



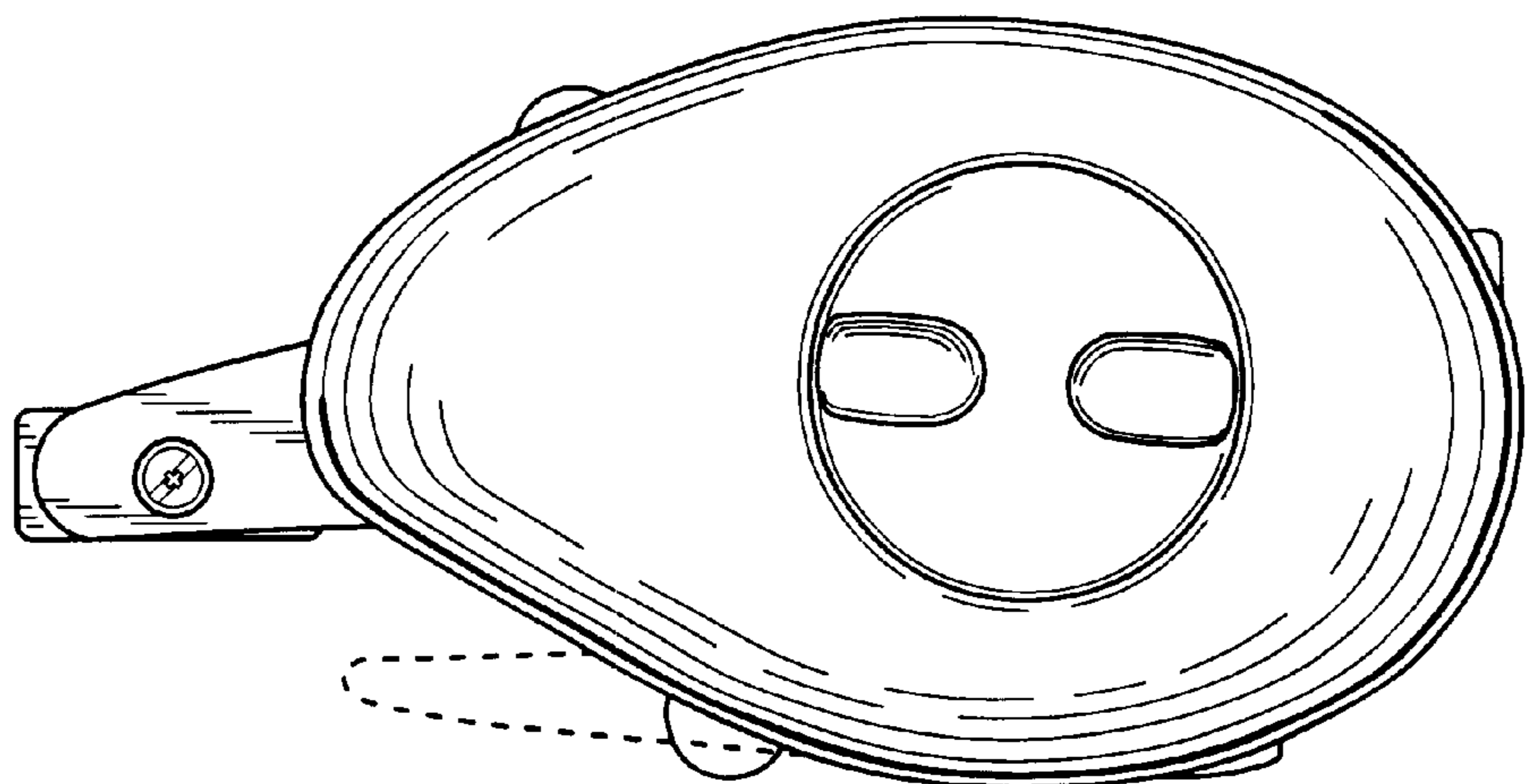
*Fig. 3*



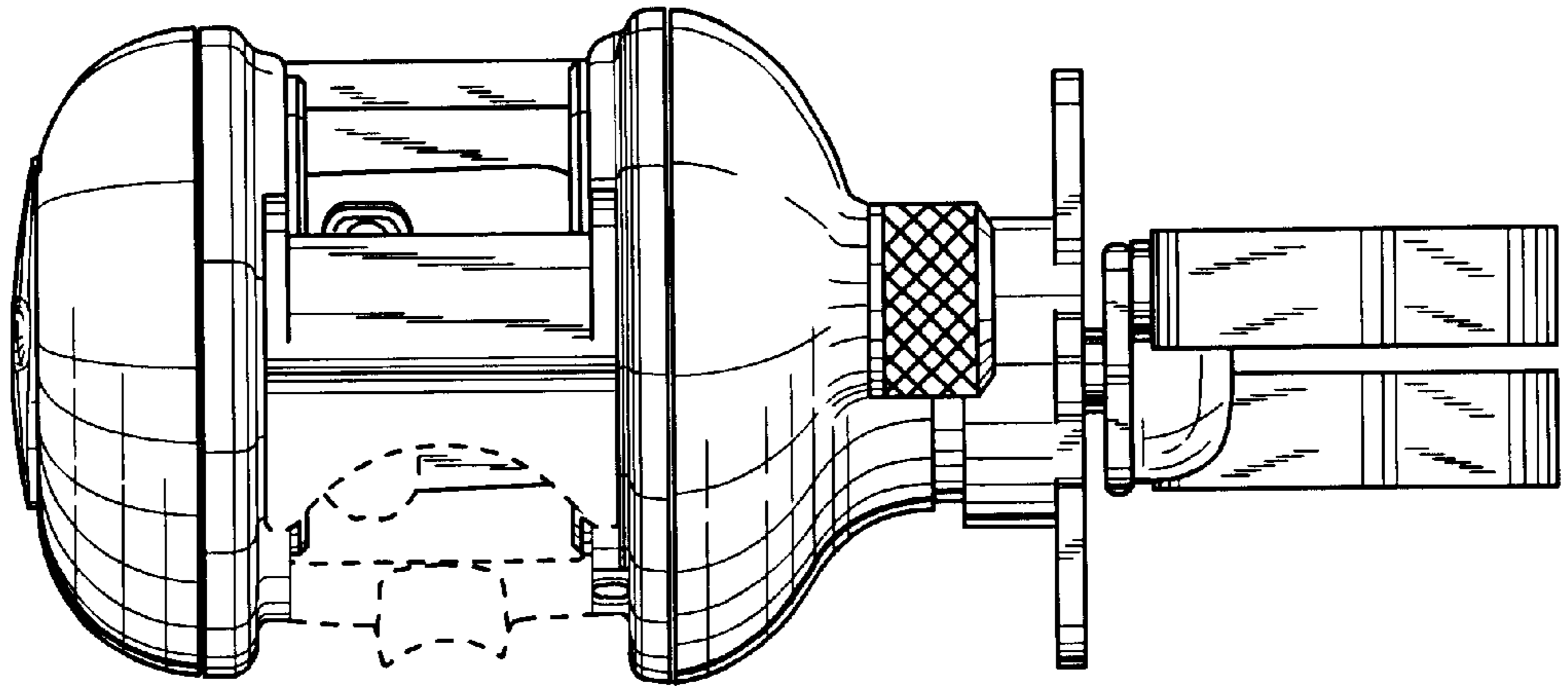
*Fig. 4*



*Fig. 5*



*Fig. 6*



*Fig. 7*

