



US00D476714S

(12) **United States Design Patent**  
**Meinzer**

(10) **Patent No.:** **US D476,714 S**

(45) **Date of Patent:** **\*\* Jul. 1, 2003**

(54) **TELESCOPIC SIGHT**

(75) **Inventor:** **Manfred Meinzer**, Hemer (DE)

(73) **Assignee:** **Schmidt & Bender GmbH & Co. KG**,  
Beibertal (DE)

(\*\*) **Term:** **14 Years**

(21) **Appl. No.:** **29/154,442**

(22) **Filed:** **Jan. 25, 2002**

(30) **Foreign Application Priority Data**

Jul. 31, 2001 (DE) ..... 4 01 07 067

(51) **LOC (7) Cl.** ..... **22-01**

(52) **U.S. Cl.** ..... **D22/109**

(58) **Field of Search** ..... D22/100, 108,  
D22/109, 199; D16/130, 132, 133; 42/119,  
122, 124, 125, 126, 128

(56) **References Cited**

**U.S. PATENT DOCUMENTS**

1,386,027 A \* 8/1921 Reynolds ..... 42/126  
1,474,209 A \* 11/1923 Reynolds ..... 42/126  
D96,664 S \* 8/1935 Hageman ..... D16/132

D417,679 S \* 12/1999 Cross et al. .... D22/109  
D421,286 S \* 2/2000 Tucker ..... D16/130 X  
D443,628 S \* 6/2001 Koshibe et al. .... D16/132

\* cited by examiner

*Primary Examiner*—Louis S. Zarfaz  
*Assistant Examiner*—Monica A. Weingart  
(74) *Attorney, Agent, or Firm*—Clark & Brody

(57) **CLAIM**

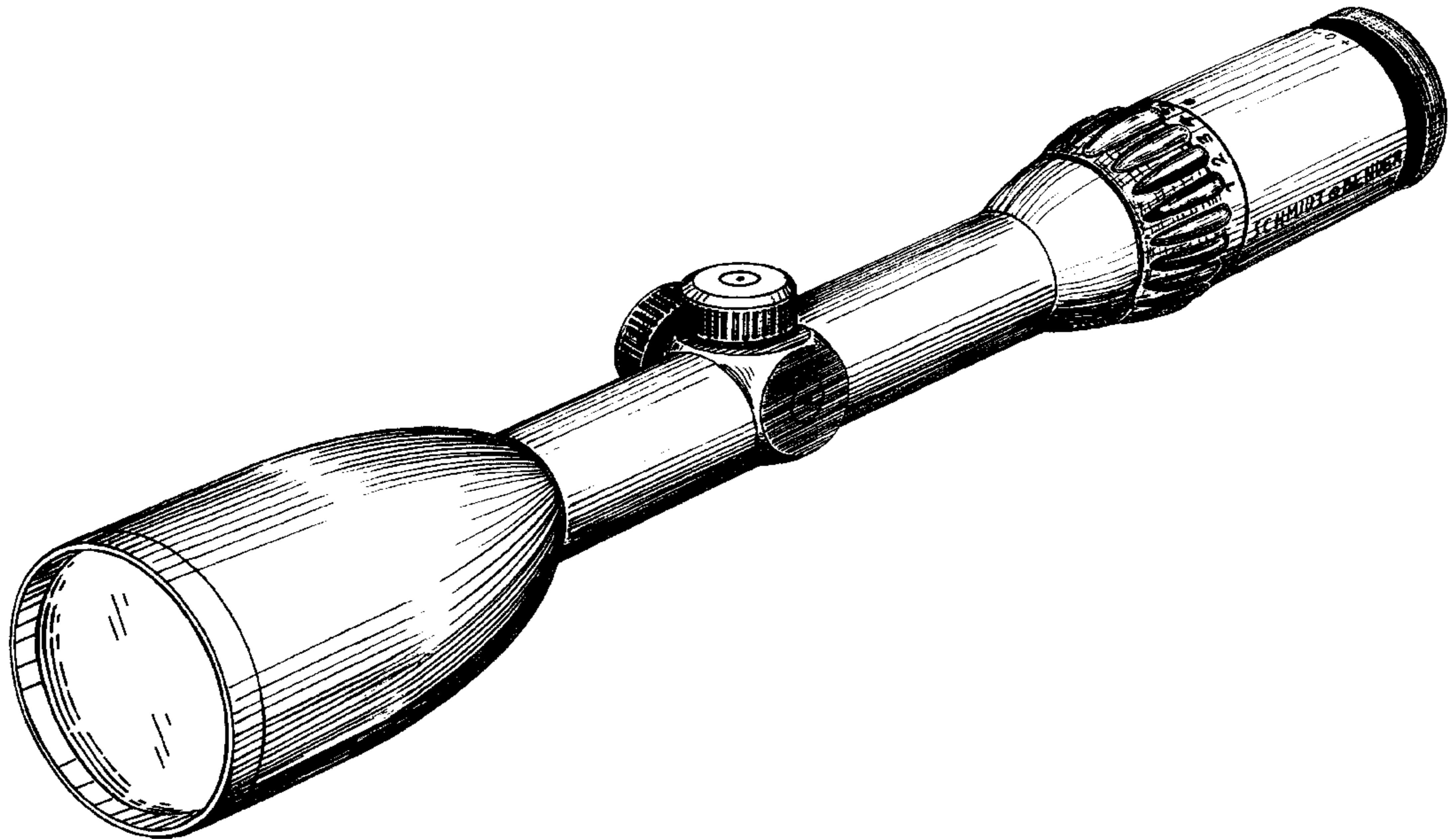
The ornamental design for a telescopic sight, as shown and described.

**DESCRIPTION**

FIG. 1 is a left side perspective view of a telescopic sight, showing my new design;  
FIG. 2 is a right side perspective view thereof;  
FIG. 3 is a right side view thereof;  
FIG. 4 is a left side view thereof;  
FIG. 5 is a top view thereof; and,  
FIG. 6 is a bottom view thereof.

The “Schmidt Bender” trademark, forming part of the claimed design, is a registered trademark of Schmidt and Bender GmbH and Co. KG, the assignee.

**1 Claim, 6 Drawing Sheets**



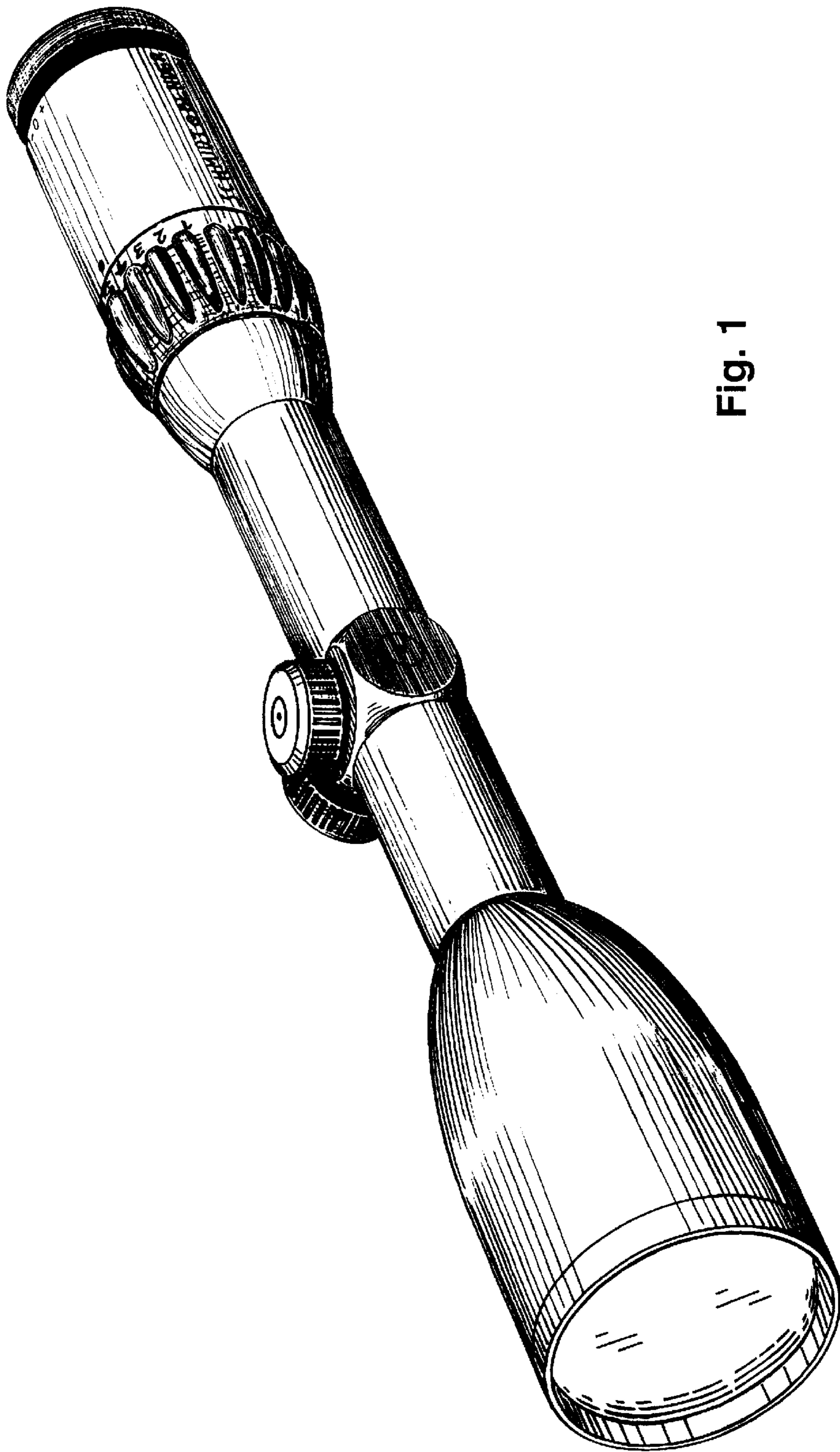


Fig. 1

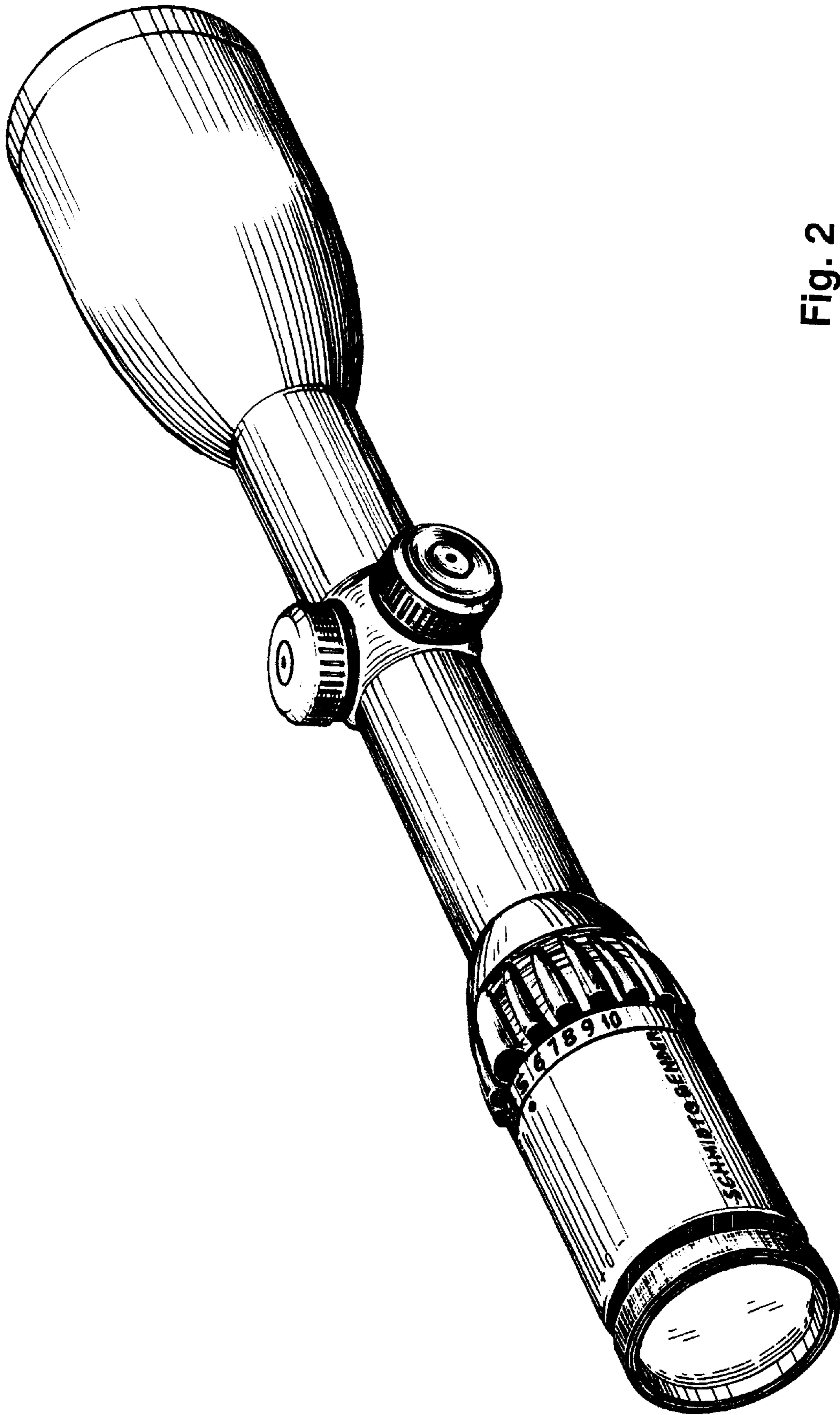


Fig. 2

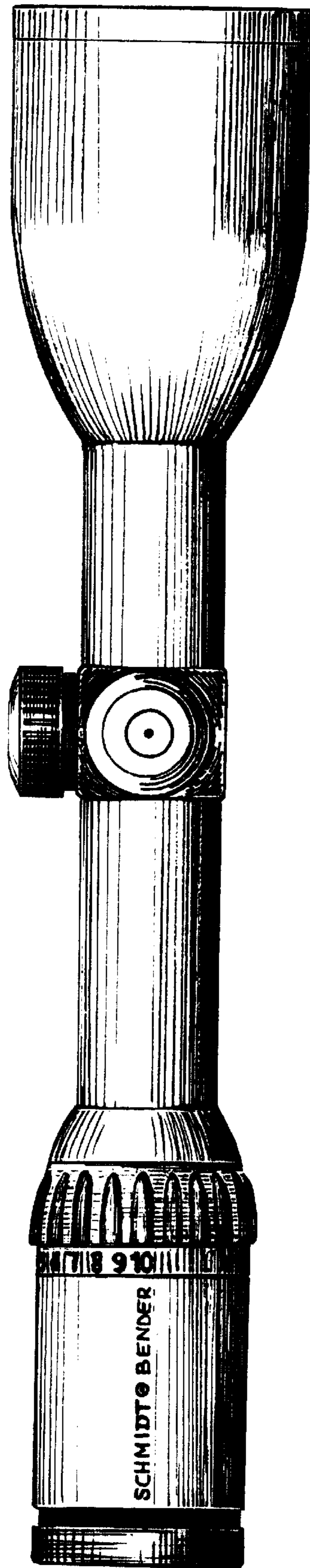


Fig. 3

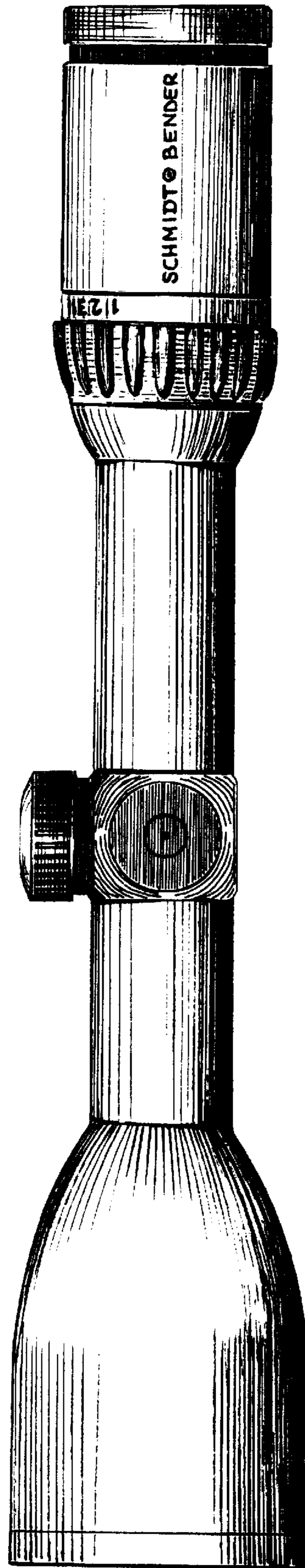


Fig. 4

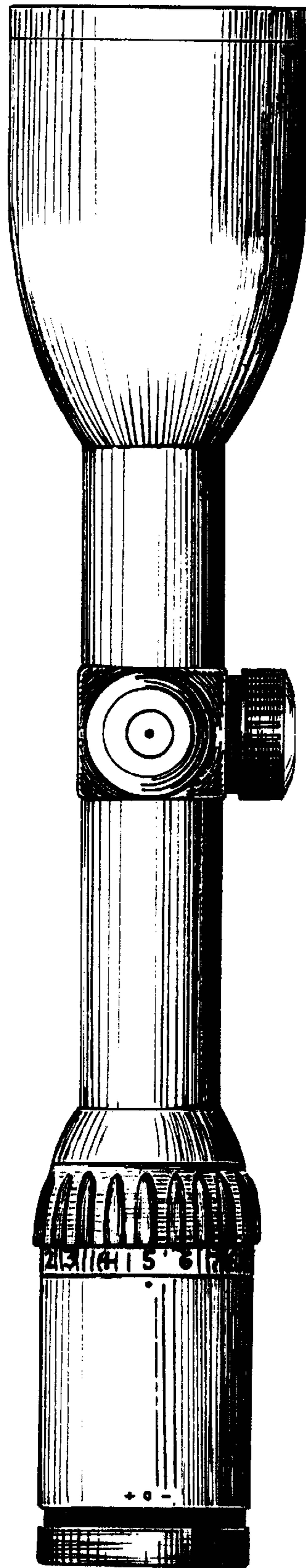


Fig. 5

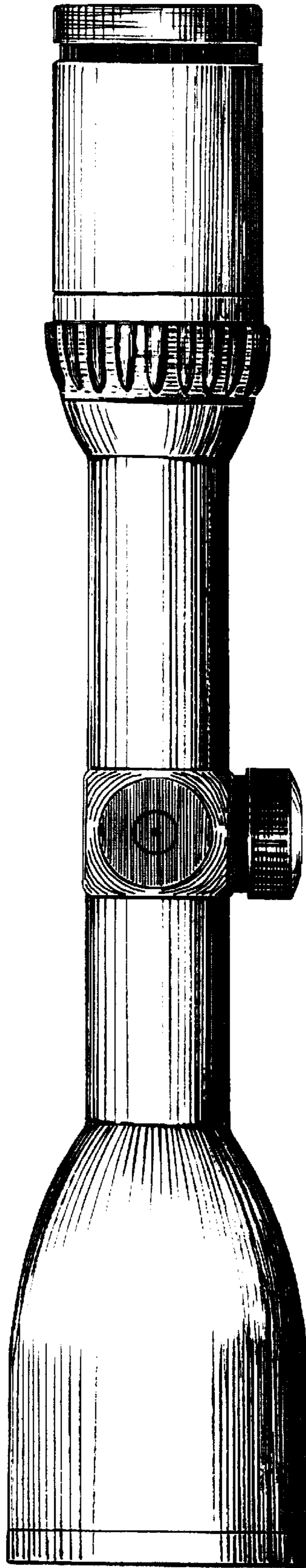


Fig. 6