



US00D476713S

(12) **United States Design Patent**  
**You**

(10) **Patent No.:** **US D476,713 S**

(45) **Date of Patent:** **\*\* Jul. 1, 2003**

(54) **OPEN-TYPE PIVOTAL CONNECTOR**

5,655,558 A \* 8/1997 Child ..... 135/97  
D454,609 S \* 3/2002 Meyerhoffer et al. .... D21/839  
6,470,515 B1 \* 10/2002 Hsia ..... 135/99.1

(76) Inventor: **Ching-Chuan You**, c/o Percy  
International Patent Corp., P.O. Box  
1-79, Taipei (TW)

\* cited by examiner

(\*\*) Term: **14 Years**

*Primary Examiner*—Raphael Barkai

(21) Appl. No.: **29/154,698**

(57) **CLAIM**

(22) Filed: **Jan. 30, 2002**

The ornamental design for an open-type pivotal connector,  
as shown.

(51) **LOC (7) Cl.** ..... **21-04**

**DESCRIPTION**

(52) **U.S. Cl.** ..... **D21/839**

(58) **Field of Search** ..... D21/834-840;  
135/98-121, 97, 124-136, 143-147, 155-159,  
120.1, 120.3, 33.5

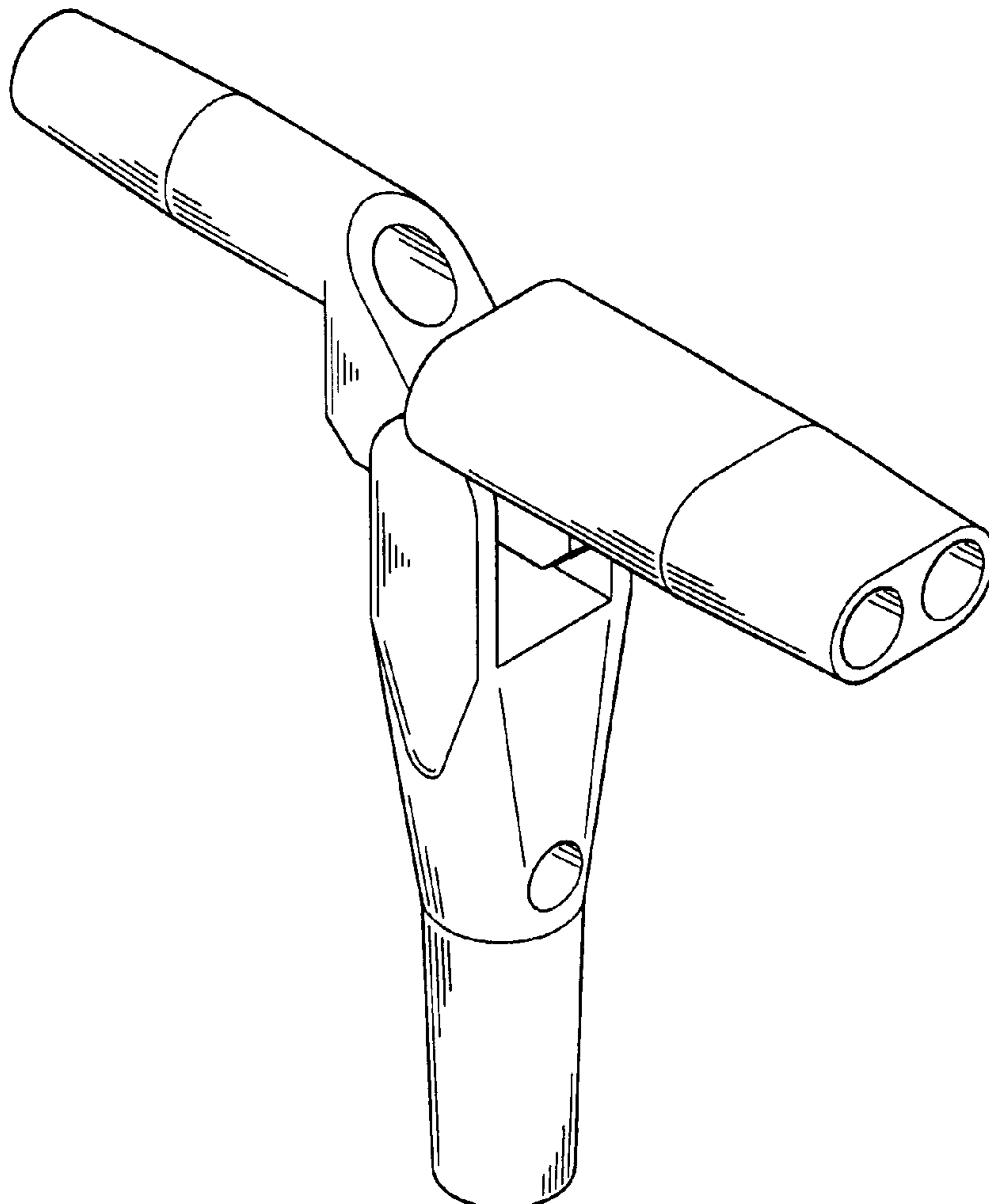
FIG. 1 is a perspective view of the open-type pivotal  
connector of this invention;  
FIG. 2 is a front view thereof;  
FIG. 3 is a rear view thereof;  
FIG. 4 is a left view thereof;  
FIG. 5 is a right view thereof;  
FIG. 6 is a top view thereof; and,  
FIG. 7 is a bottom view thereof.

(56) **References Cited**

**U.S. PATENT DOCUMENTS**

873,038 A \* 12/1907 Garret ..... 135/120.3  
3,168,101 A \* 2/1965 Porter  
D303,622 S \* 9/1989 Fulcher ..... D8/323

**1 Claim, 3 Drawing Sheets**



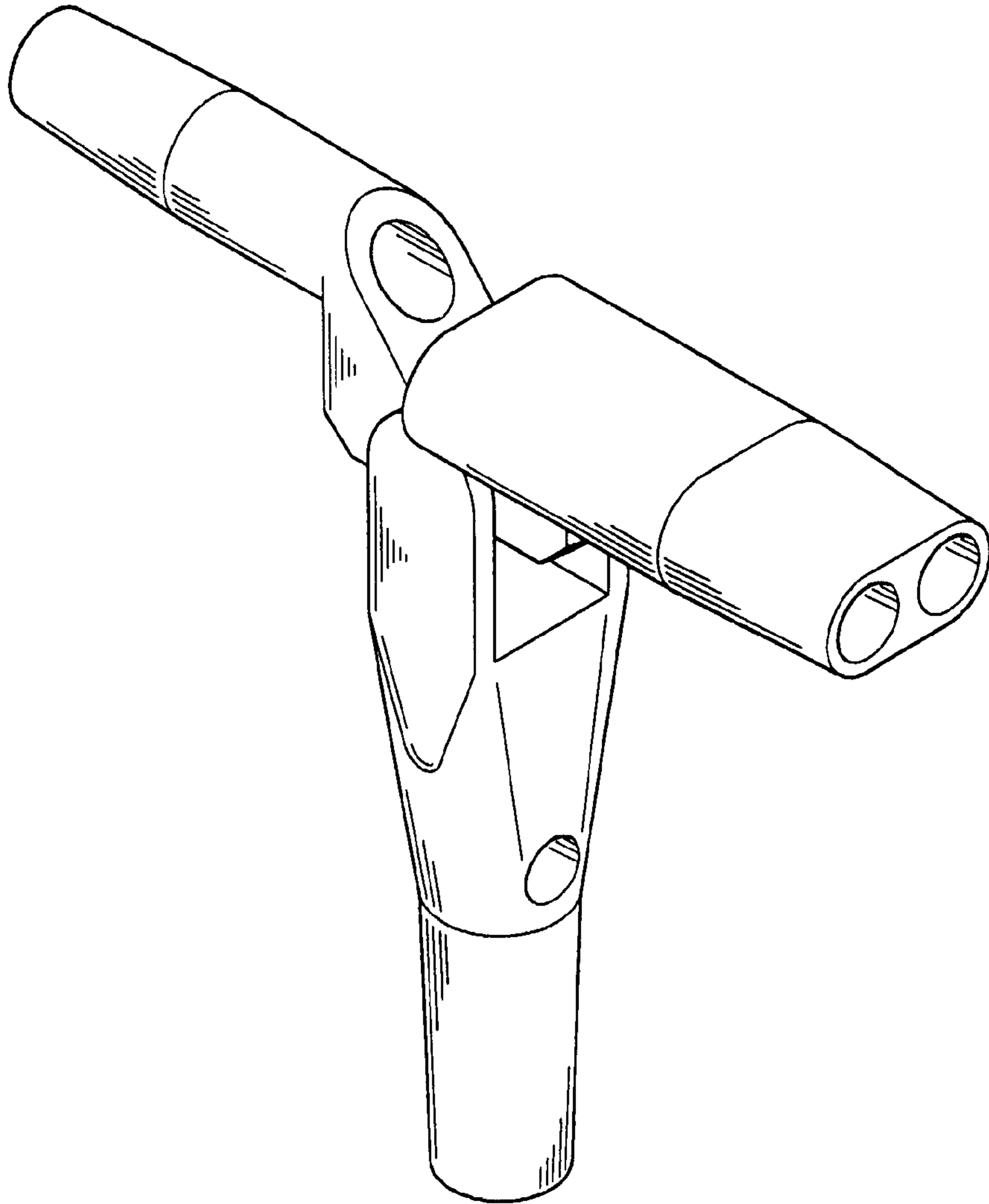


FIG. 1

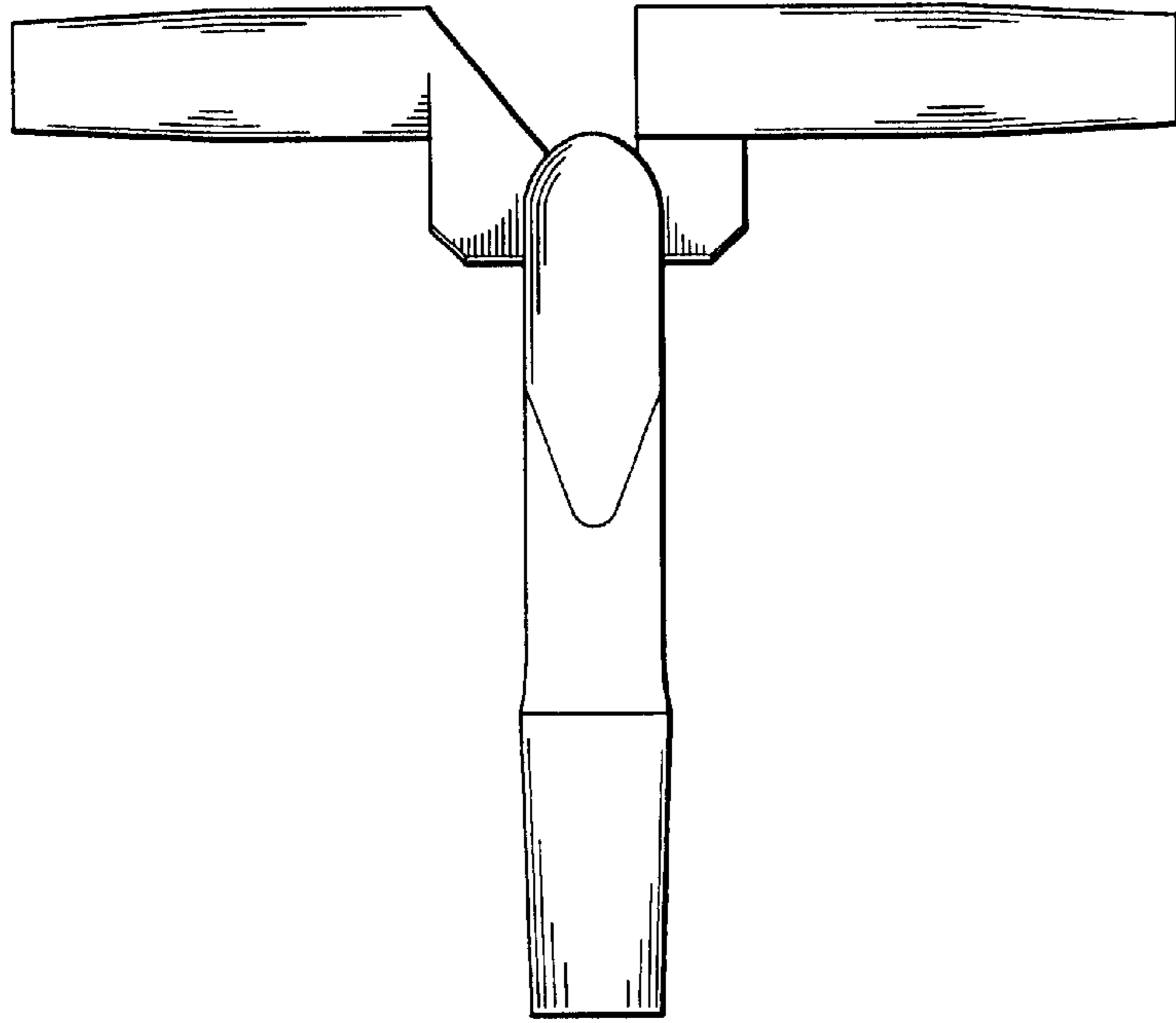


FIG. 2

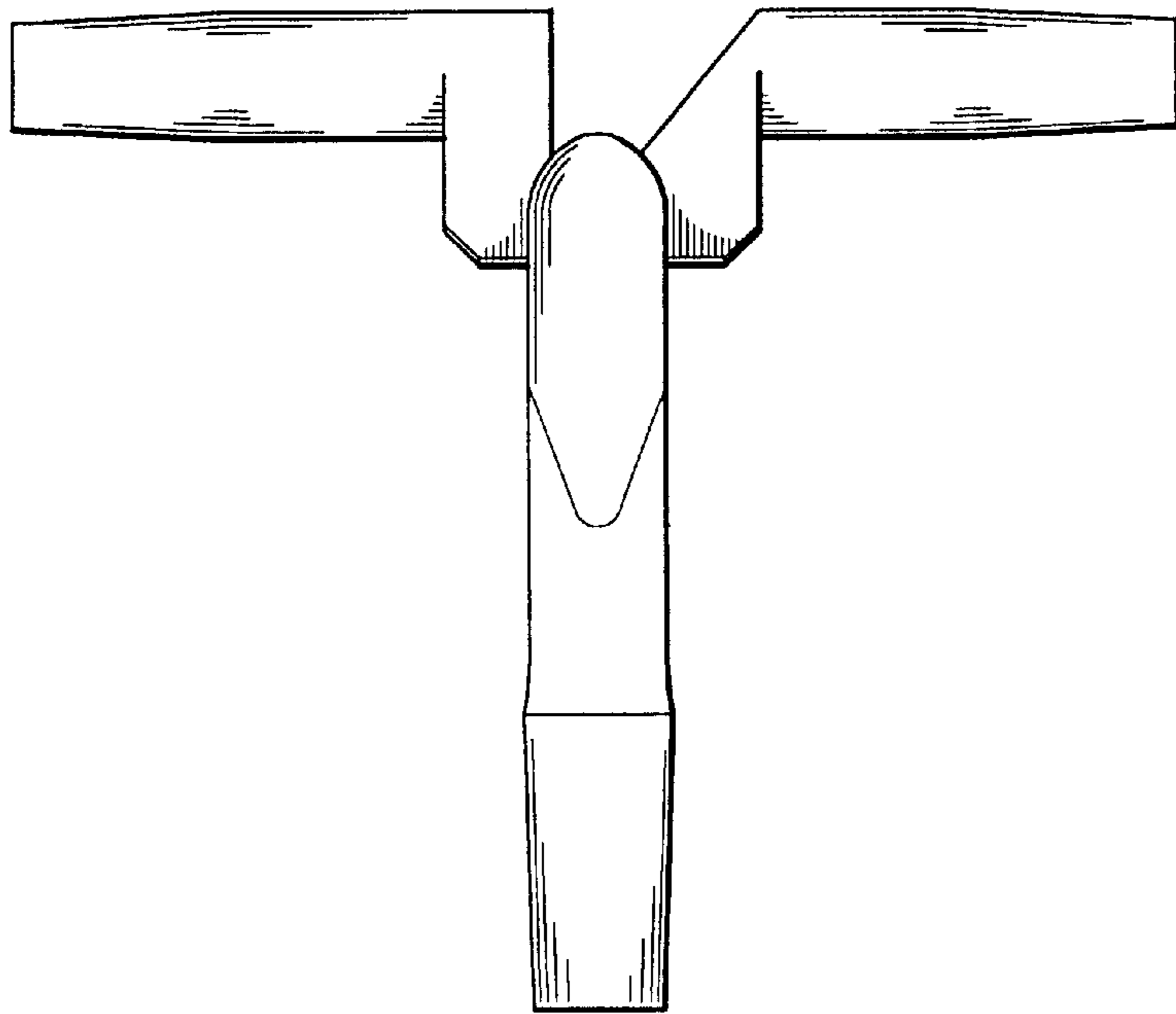


FIG. 3

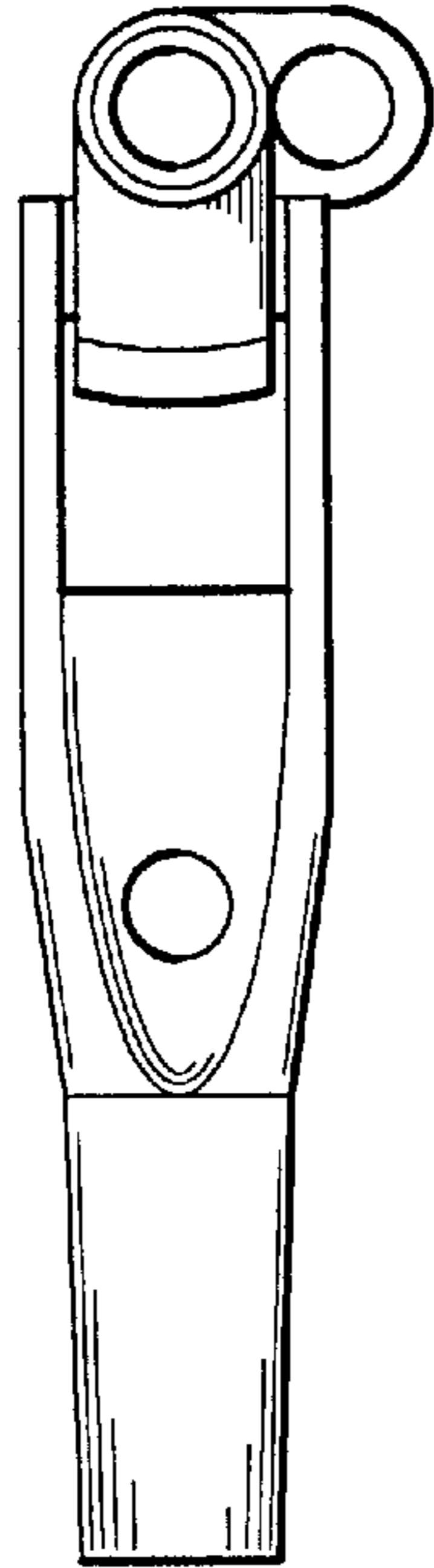


FIG. 4

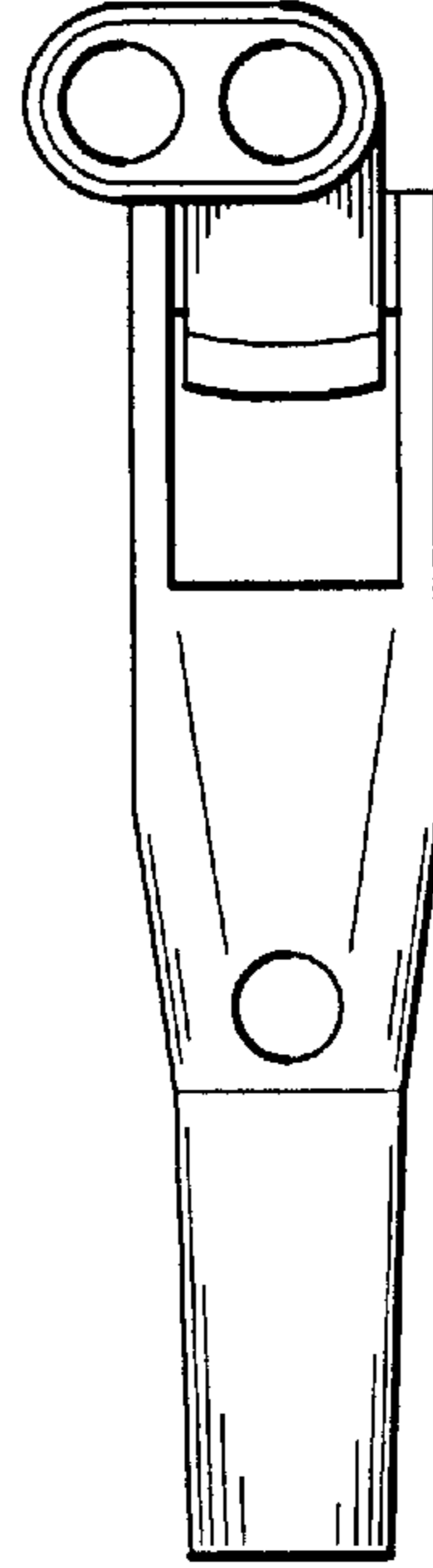


FIG. 5

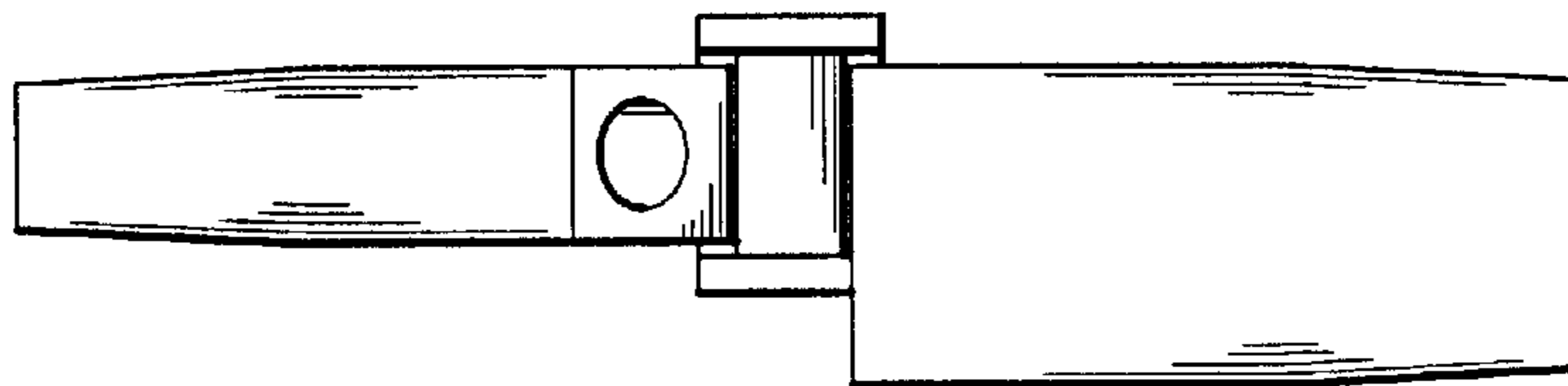


FIG. 6

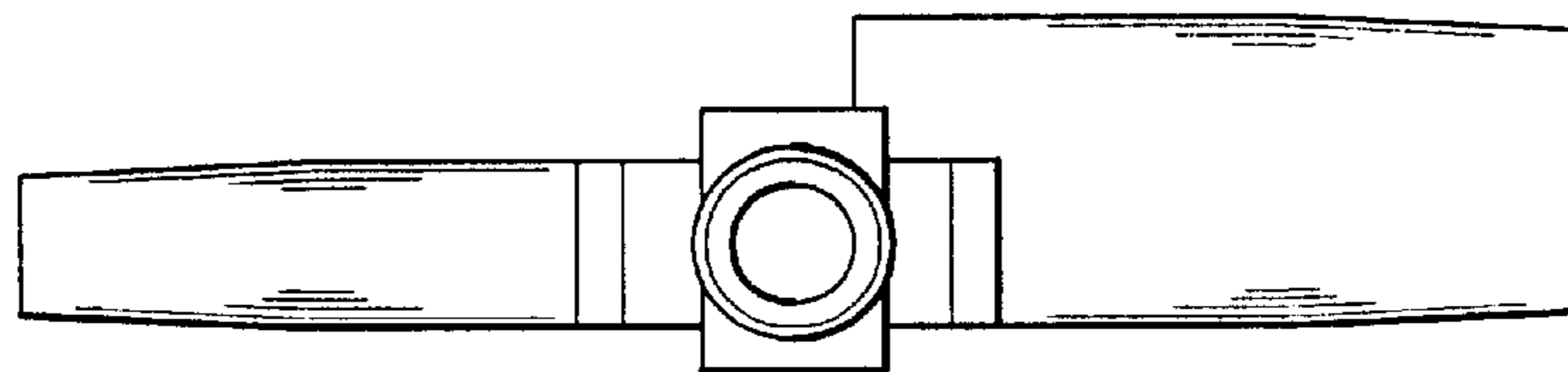


FIG. 7