



US00D476711S

(12) **United States Design Patent**
Church et al.

(10) **Patent No.: US D476,711 S**

(45) **Date of Patent: ** Jul. 1, 2003**

- (54) **PORTION OF BILLIARD TABLE**
- (75) Inventors: **Claude Church**, Unionville (CA);
David Cumber, Cambridge (CA); **Roy Selinger**, Caledon East (CA)
- (73) Assignee: **Dufferin Games, Ltd.** (CA)
- (**) Term: **14 Years**
- (21) Appl. No.: **29/154,150**
- (22) Filed: **Jan. 17, 2002**
- (51) **LOC (7) Cl. 06-03**
- (52) **U.S. Cl. D21/783**
- (58) **Field of Search D21/782-784;**
D6/480, 484, 422, 428, 491; 473/1, 4, 6,
18, 29, 33

(56) **References Cited**

U.S. PATENT DOCUMENTS

D161,408	S	*	1/1951	Anderson et al.	473/33	X
D214,674	S	*	7/1969	Schaefer	D21/784	
3,729,192	A	*	4/1973	Nielsen	473/33	
4,027,878	A	*	6/1977	Dadbeh	473/29	
5,830,072	A	*	11/1998	D'Aguiar	473/33	
D415,370	S	*	10/1999	Zarker, Jr.	D8/480	
D427,811	S	*	7/2000	Ismail	D6/480	
6,102,808	A	*	8/2000	Wong	473/4	
D430,759	S	*	9/2000	Zarker, Jr.	D6/480	

OTHER PUBLICATIONS

Dufferin Game Room Store, Sales Brochure, no date known.
Dufferin Game Room Store, Sales Brochure, no date known.
Olhausen Pool Tables, Sales Brochure, 1999.

Kasson, Sales Brochure, no date known.
Connelly Billards, Sales Brochure, no date known.
Canada Billard & Bowling Inc., Sales Brochure, no date known.

* cited by examiner

Primary Examiner—Prabhakar Deshmukh
(74) *Attorney, Agent, or Firm*—SAIDMAN DesignLaw Group

(57) **CLAIM**

The ornamental design for a portion of billiard table, as shown and described.

DESCRIPTION

FIG. 1 is a perspective view from above of a portion of billiard table showing our new design;

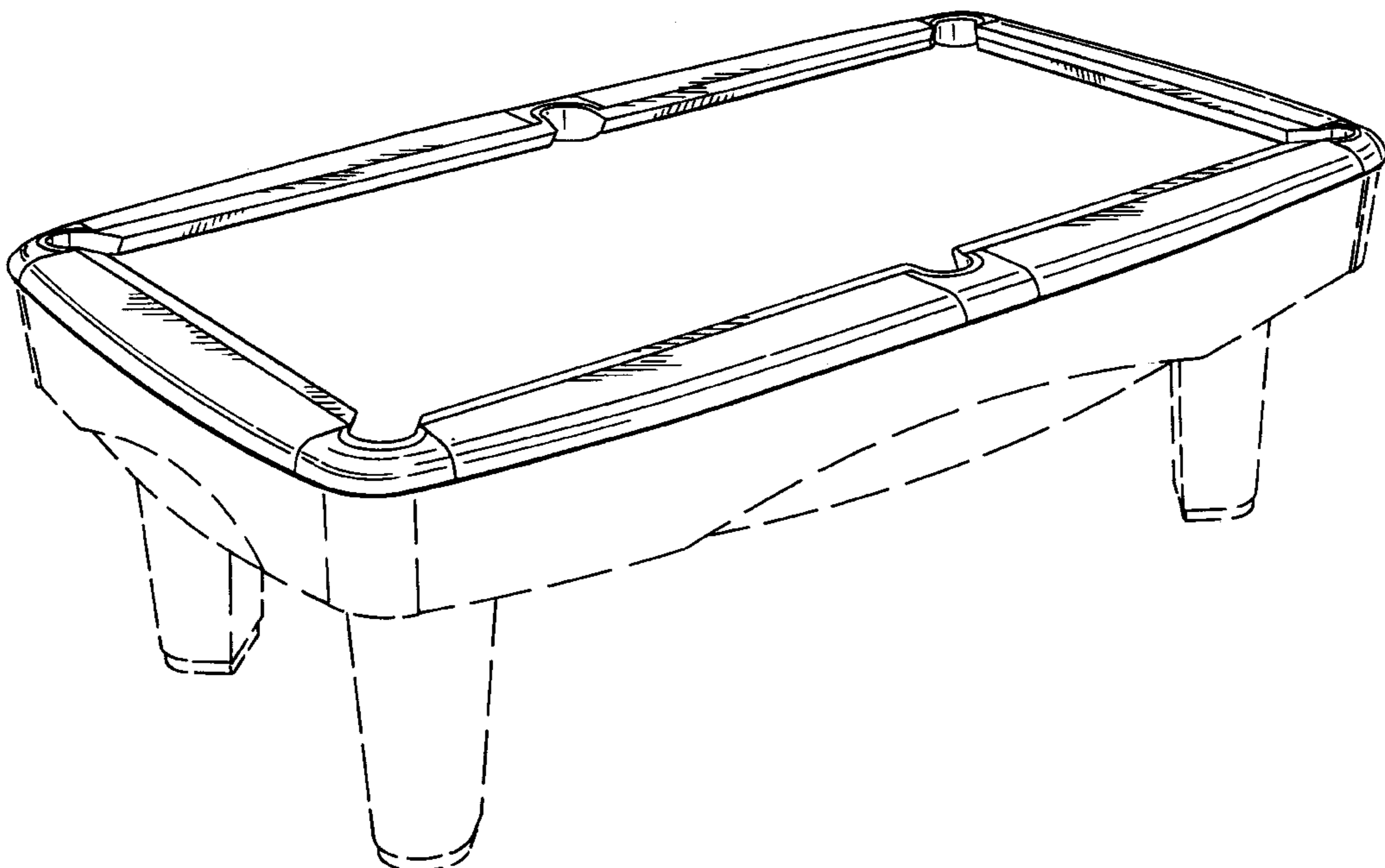
FIG. 2 is a top plan view thereof;

FIG. 3 is a side elevation view thereof, both sides being identical; and,

FIG. 4 is an end elevation view thereof, both ends being identical.

Portions of the billiard table other than the outer edges of the side rails and end rails are shown in broken lines for illustrative purposes and do not form part of the claimed design. The claimed design is for product configuration; lines shown on product surfaces are shade lines and not surface decoration.

1 Claim, 3 Drawing Sheets



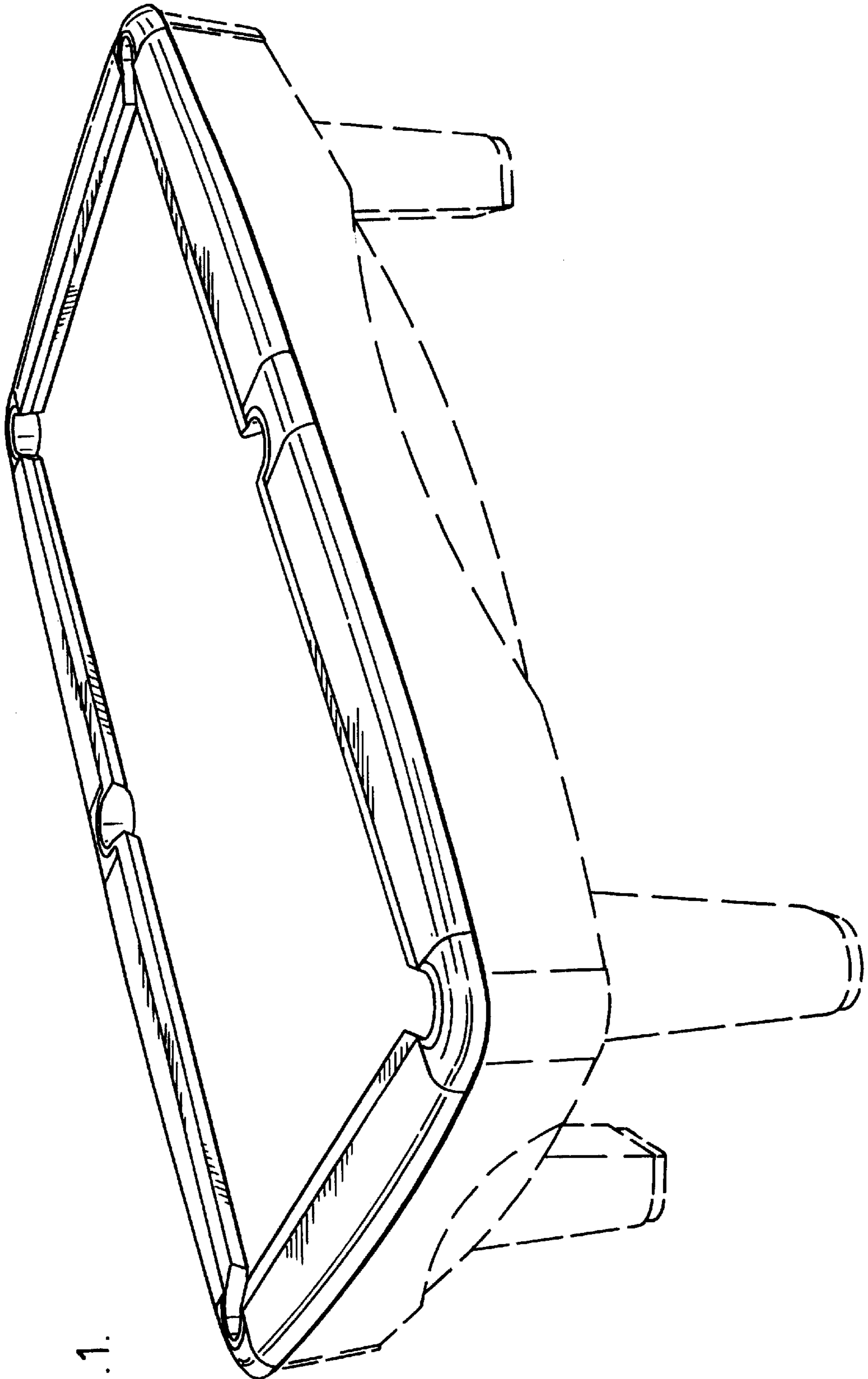
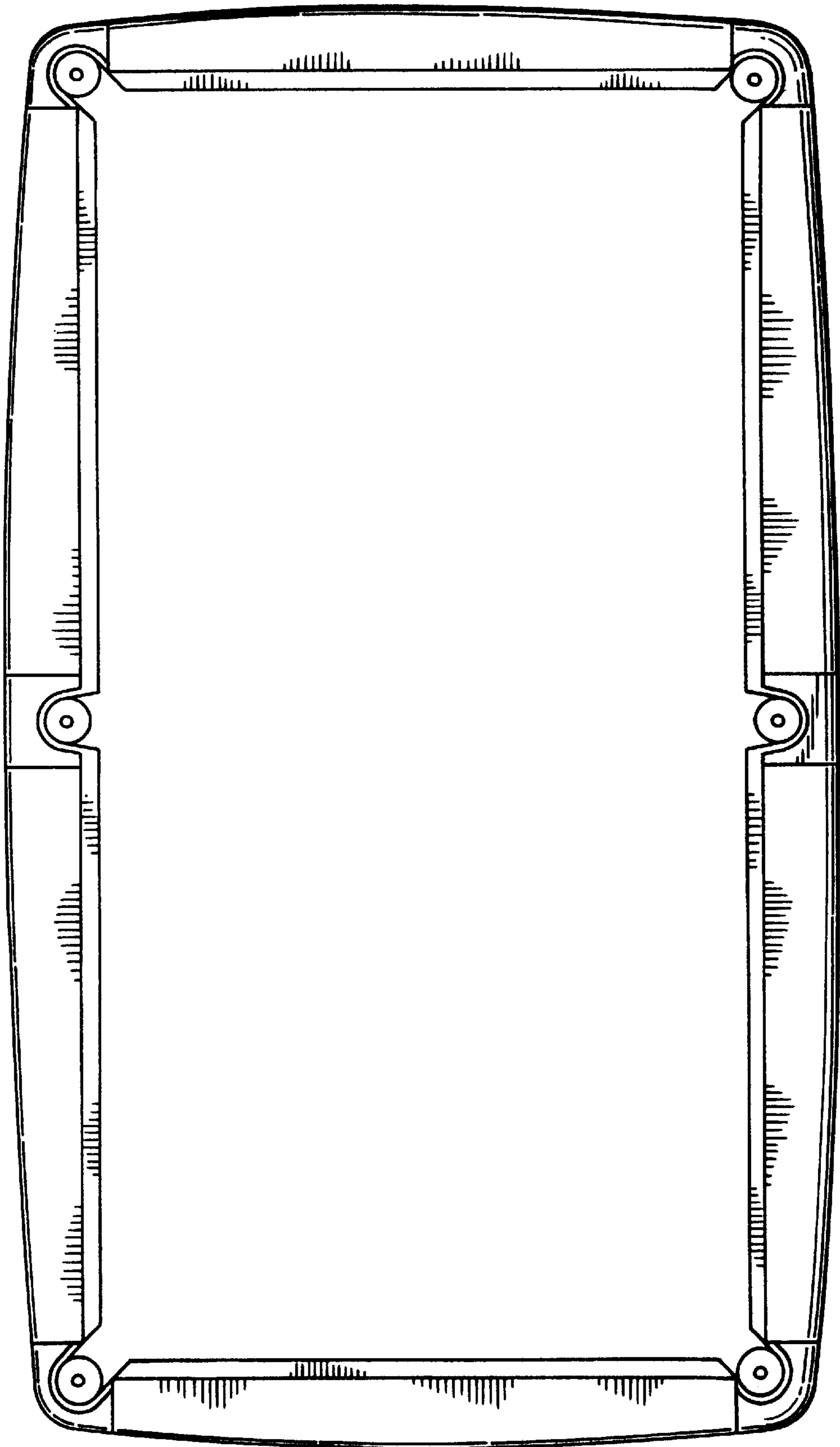


FIG. 1.

FIG. 2.



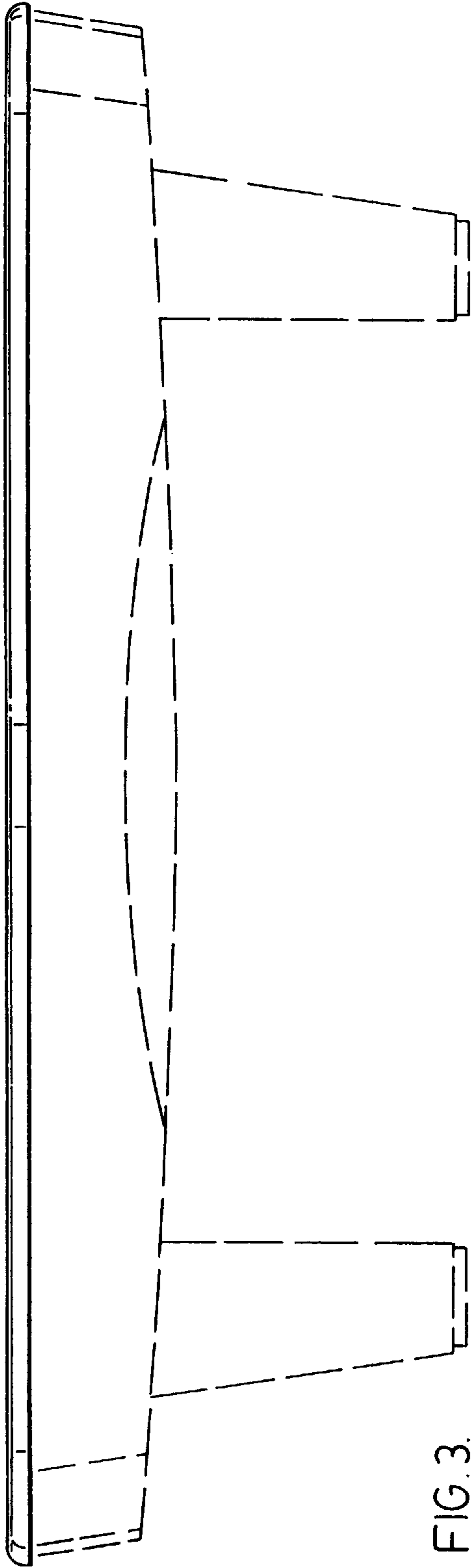


FIG. 3.

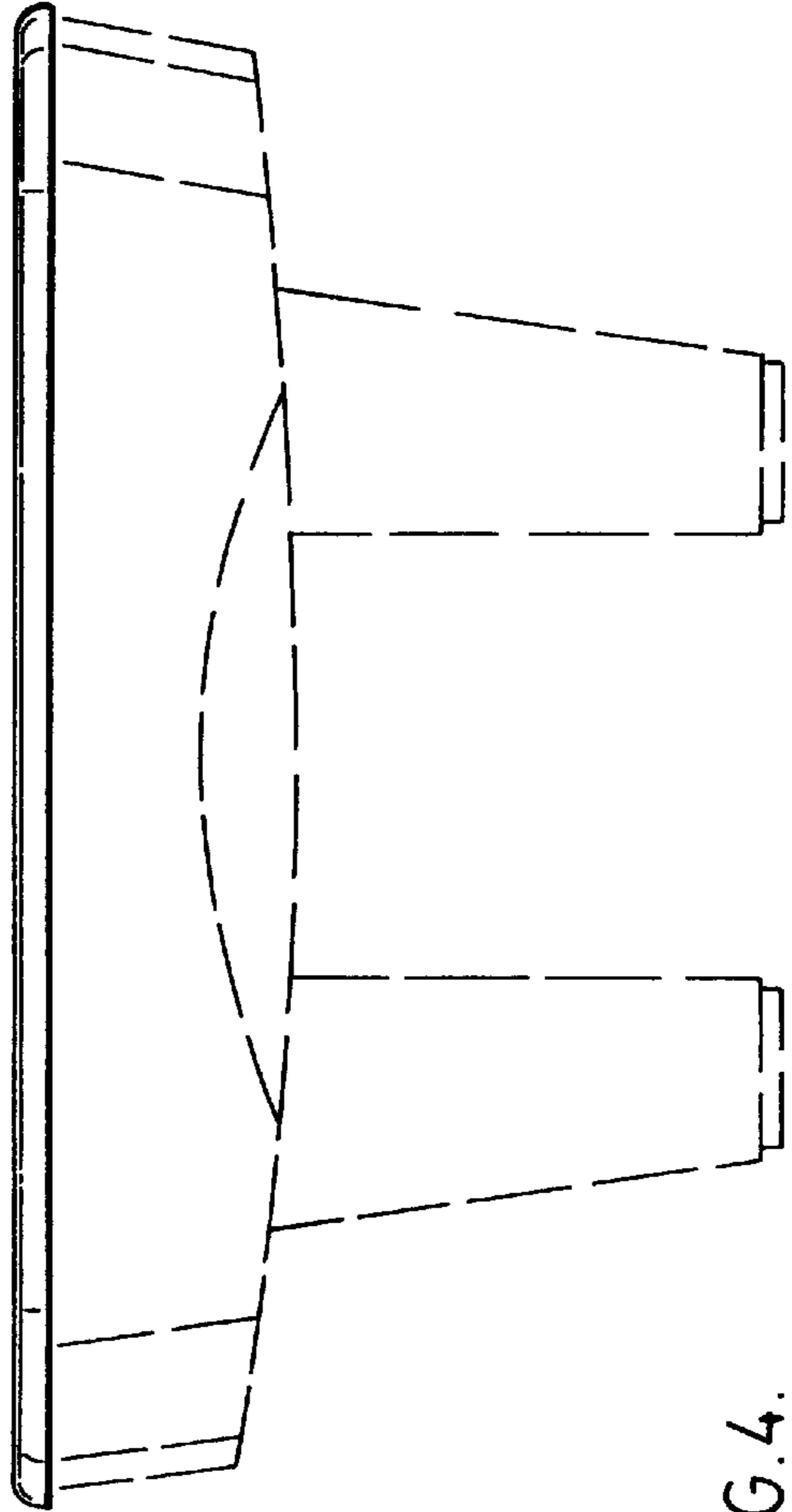


FIG. 4.