



US00D476705S

(12) **United States Design Patent**
Dillard

(10) **Patent No.:** **US D476,705 S**

(45) **Date of Patent:** **** Jul. 1, 2003**

(54) **FITNESS BALL SUPPORT**

(75) **Inventor:** **L. Michael Dillard**, Midwest City, OK (US)

(73) **Assignee:** **Century Incorporated**

(**) **Term:** **14 Years**

(21) **Appl. No.:** **29/159,954**

(22) **Filed:** **Apr. 30, 2002**

(51) **LOC (7) Cl.** **21-02**

(52) **U.S. Cl.** **D21/662; D21/691**

(58) **Field of Search** D21/662, 686,
D21/690, 691; 482/130, 142, 907, 140,
131, 132

(56) **References Cited**

U.S. PATENT DOCUMENTS

| | | | |
|--------------|----------|---------------|---------|
| 4,867,142 A | 9/1989 | Jones | |
| 4,927,139 A | 5/1990 | Taltre | |
| 5,735,776 A | 4/1998 | Swezey et al. | 482/91 |
| 5,833,587 A | 11/1998 | Strong et al. | 482/23 |
| D424,142 S | * 5/2000 | Mcbride et a. | D21/690 |
| 6,375,601 B1 | 4/2002 | Johnson | 482/142 |

OTHER PUBLICATIONS

Sissel Swiss Ball Stabilizer; bodytrends.com; http://bodytrends.com/sisstab.htm; 1 page.

Ball Base; bodytrends.com; http://bodytrends.com/bldbase-.htm; 1 page.

* cited by examiner

Primary Examiner—Philip S. Hyder

(74) *Attorney, Agent, or Firm*—Dunlap Coddling & Rogers

(57) **CLAIM**

The ornamental design for a fitness ball support, as shown and described.

DESCRIPTION

FIG. 1 is a perspective view of a fitness ball support showing my new design supporting a fitness ball and attached to a foot support member shown in phantom.

FIG. 2 is a side elevational view thereof, the opposite side being a mirror image thereof.

FIG. 3 is a side elevational view thereof opposite that shown in FIG. 2.

FIG. 4 is a front elevational view thereof.

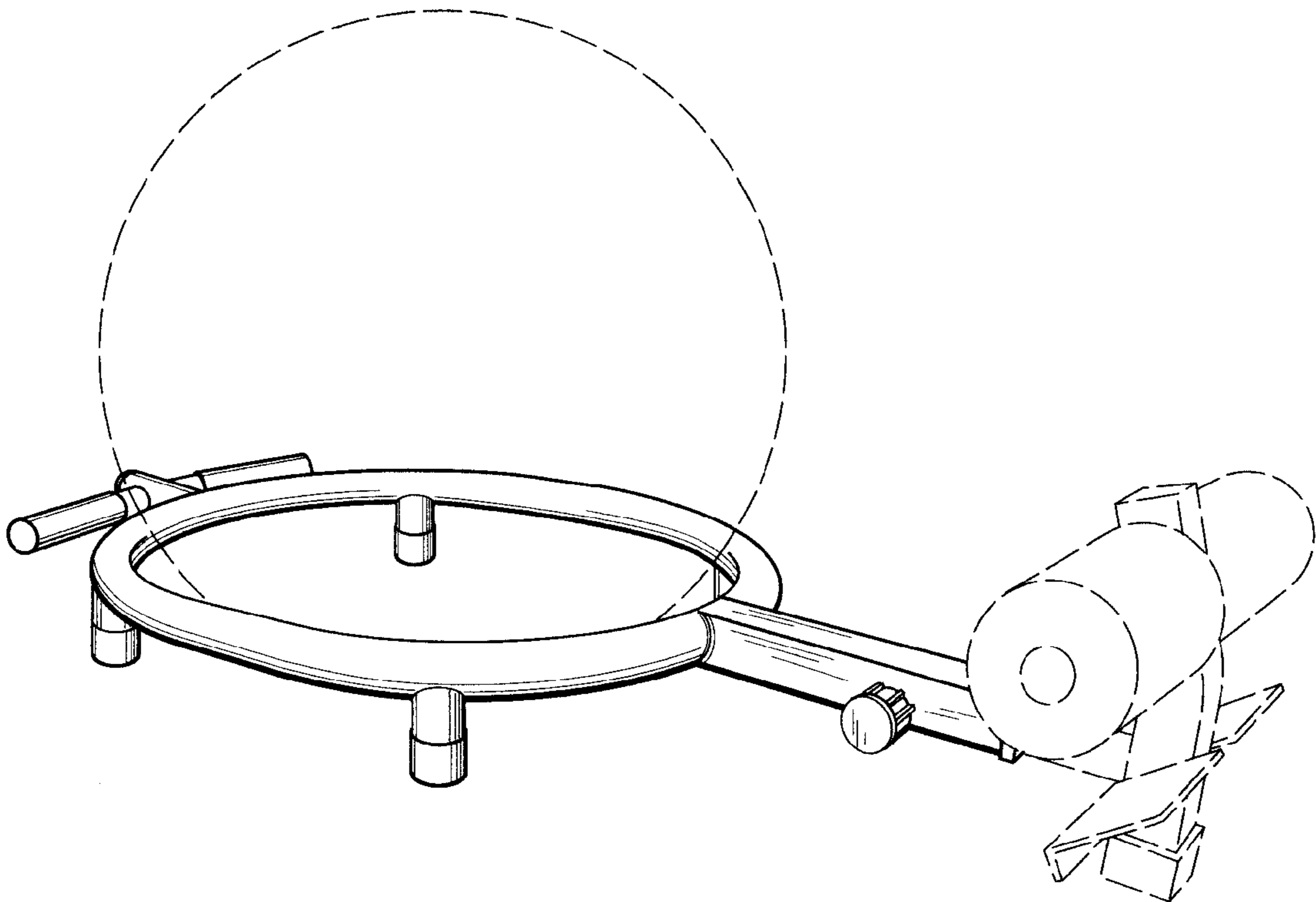
FIG. 5 is a rear elevational view thereof.

FIG. 6 is a top plan view thereof; and,

FIG. 7 is a bottom plan view thereof.

The broken lines showing in FIG. 1 are for purposes of illustrating environment only and form no part of the claimed design.

1 Claim, 2 Drawing Sheets



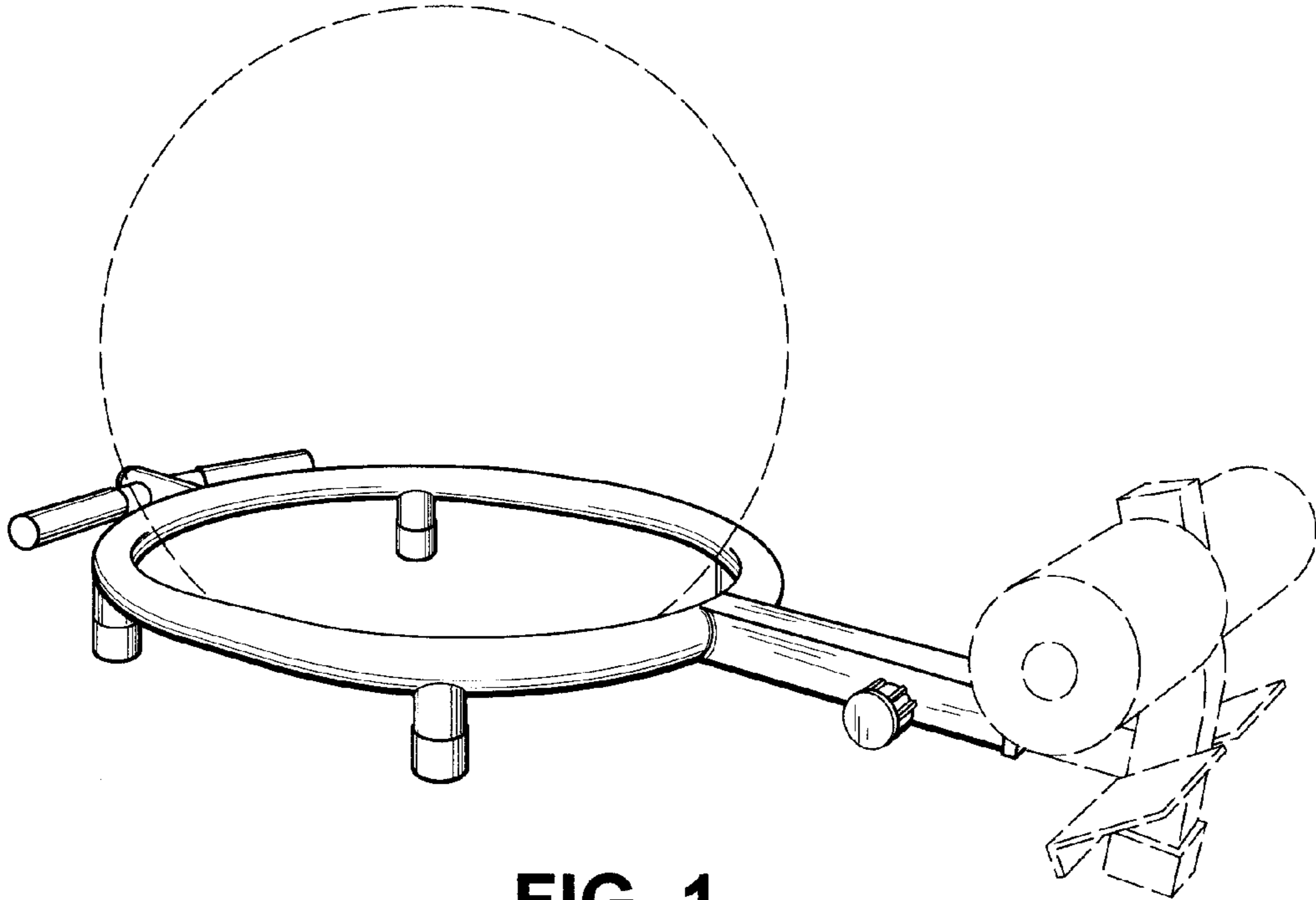


FIG. 1

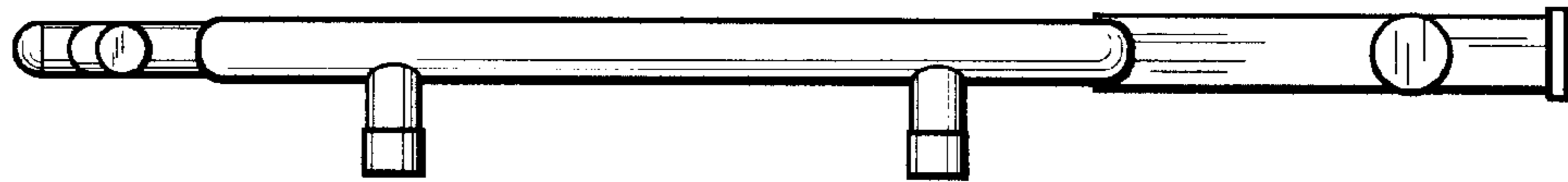


FIG. 2

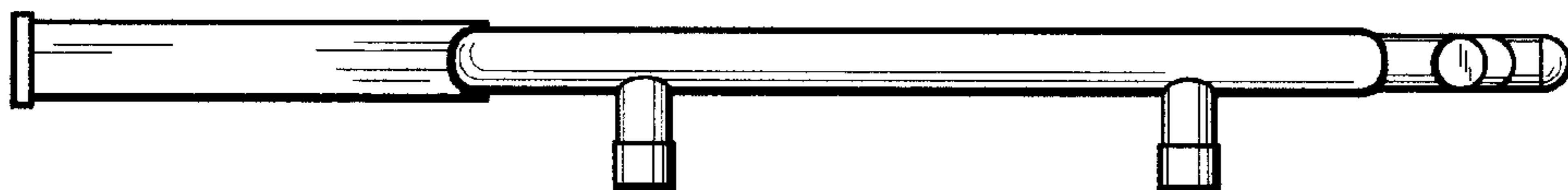


FIG. 3

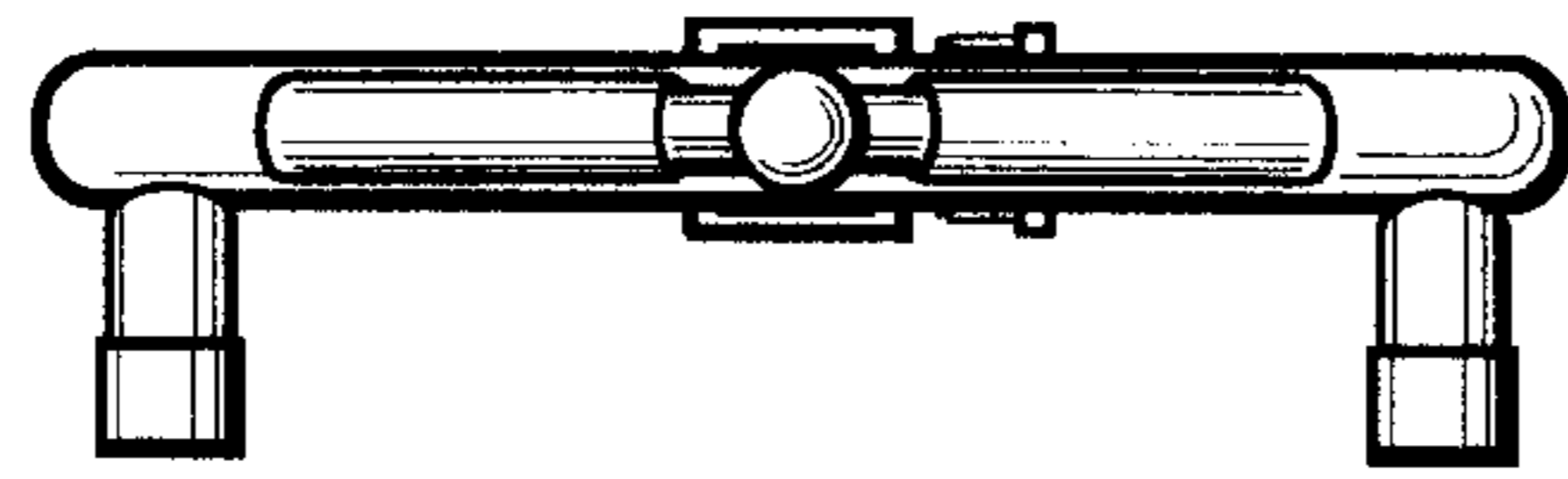


FIG. 4

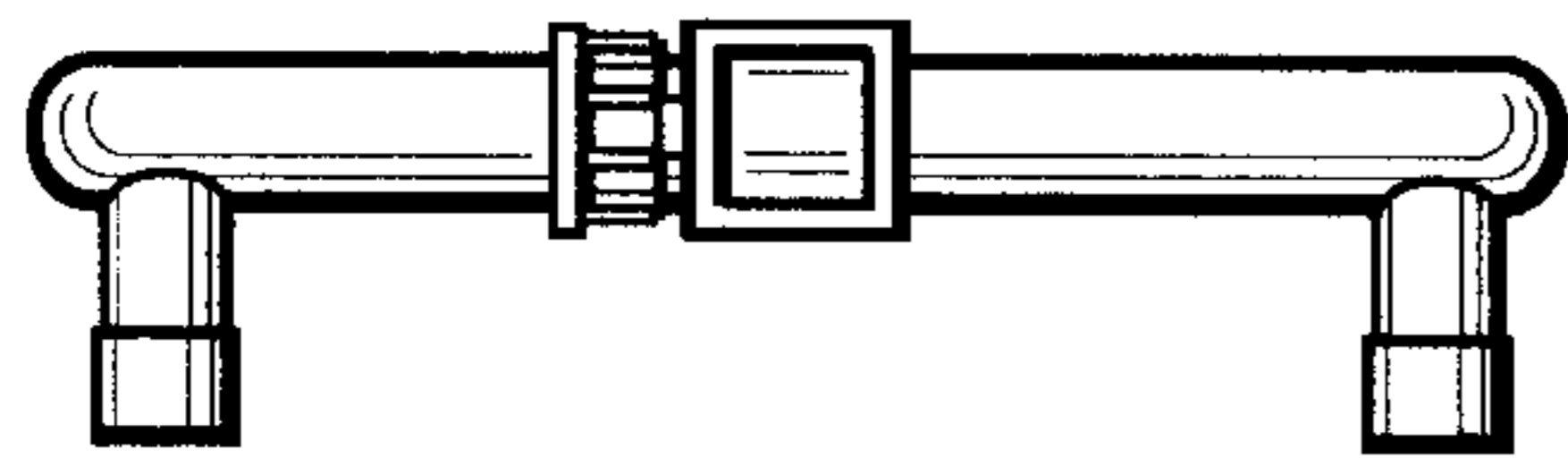


FIG. 5

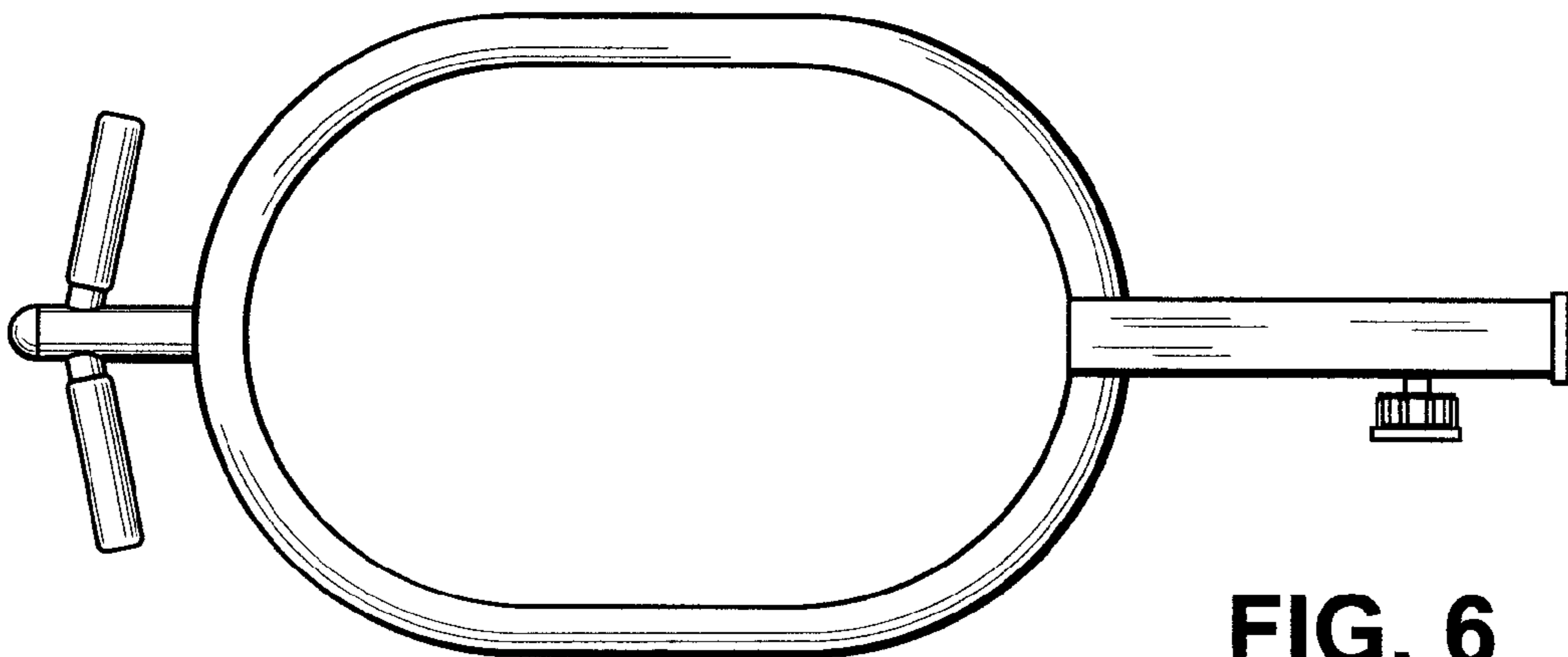


FIG. 6

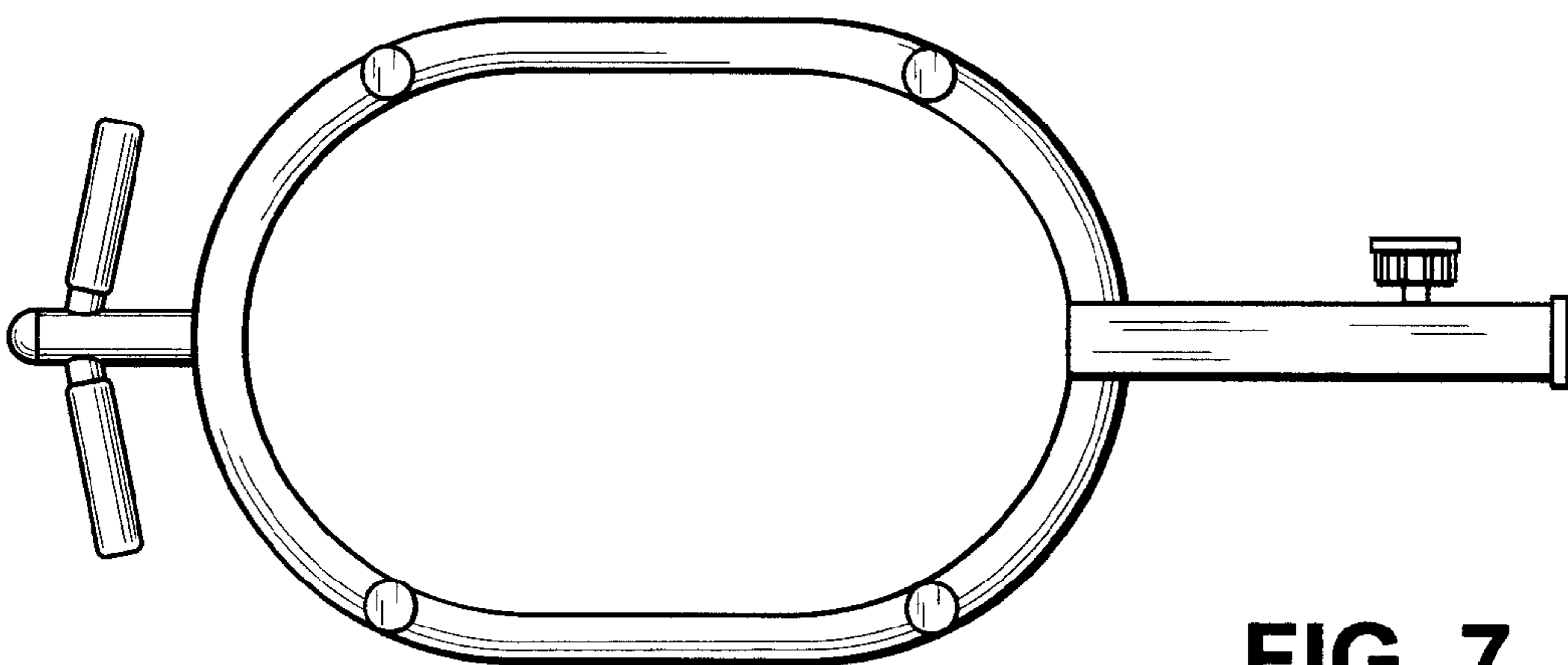


FIG. 7