



US00D476702S

(12) **United States Design Patent**
Daftari

(10) **Patent No.:** **US D476,702 S**

(45) **Date of Patent:** **** Jul. 1, 2003**

(54) **CAR FACTORY TOY**

6,099,380 A * 8/2000 Rasmussen 446/476
D451,524 S * 12/2001 Morris D15/135

(75) Inventor: **Parvis Daftari**, Quebec (CA)

* cited by examiner

(73) Assignee: **Rose Art Industries, Inc.**, Livingston, NJ (US)

Primary Examiner—Raphael Barkai
(74) *Attorney, Agent, or Firm*—McCarter & English, LLP; Allen N. Friedman; Cristine Johnson

(**) Term: **14 Years**

(57) **CLAIM**

(21) Appl. No.: **29/168,447**

I claim a car factory toy, as shown and described.

(22) Filed: **Oct. 2, 2002**

DESCRIPTION

(51) **LOC (7) Cl.** **21-01**

(52) **U.S. Cl.** **D21/528**

(58) **Field of Search** D21/528, 506,
D21/483, 398; D15/135, 136; 425/DIG. 57,
383, 388, 404, 406; 446/476-478, 491

FIG. 1 is a perspective view of a car factory toy, showing my new design, with sticks of source material shown in phantom;
FIG. 2 is a front elevational view of car factory toy;
FIG. 3 is a rear elevational view of a car factory toy machine;
FIG. 4 is a right side elevational view of a car factory toy;
FIG. 5 is a left side elevational view of a car factory toy;
FIG. 6 is a top plan view of a car factory toy; and,
FIG. 7 is a bottom view of a car factory toy.

(56) **References Cited**

U.S. PATENT DOCUMENTS

D268,043 S	*	2/1983	Orenstein	D21/528
D322,996 S	*	1/1992	Batchen	D21/528
D403,378 S	*	12/1998	Lebensfeld	D21/528
D412,948 S	*	8/1999	Rosen	D21/528

1 Claim, 7 Drawing Sheets

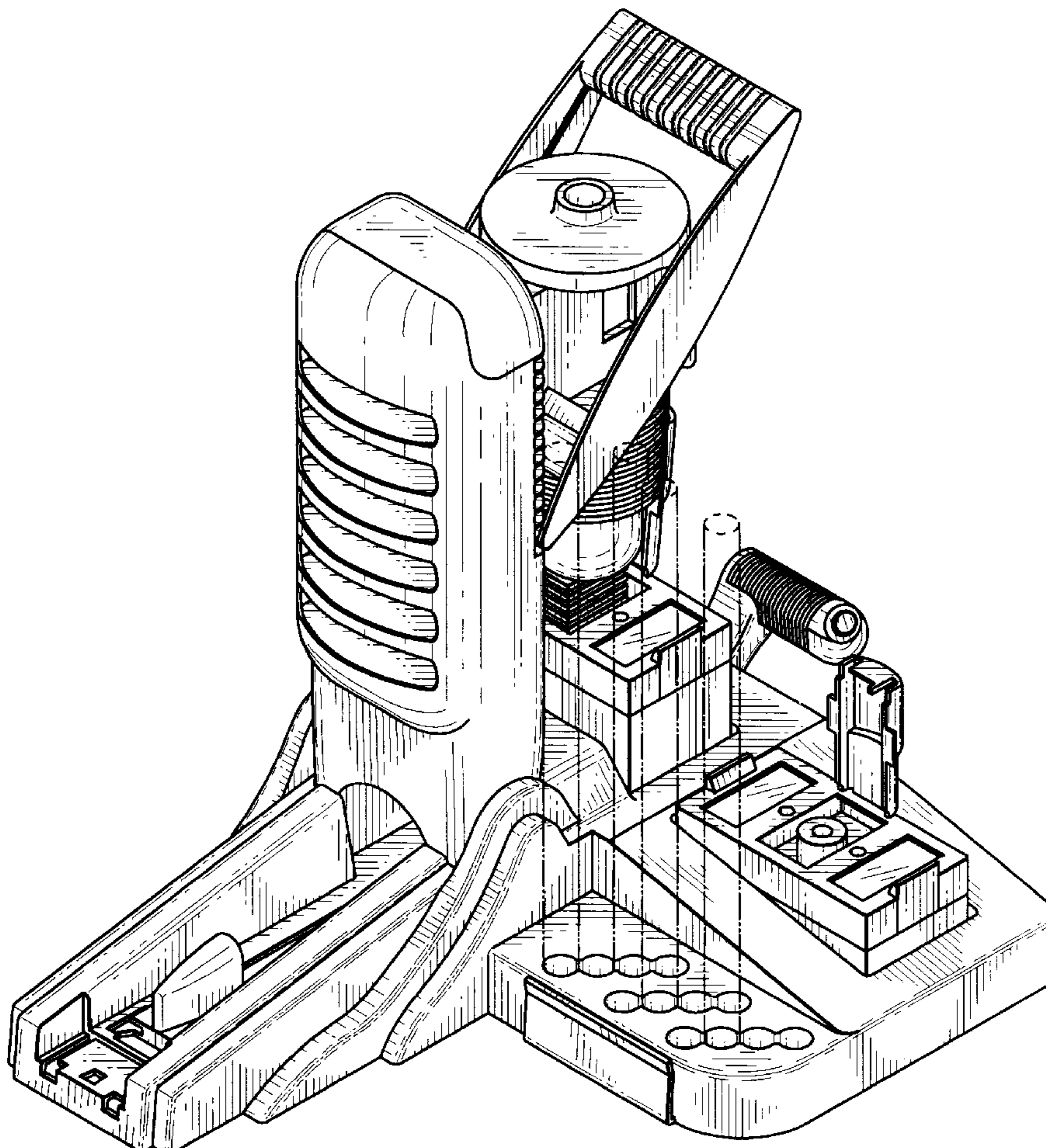


FIG. 1

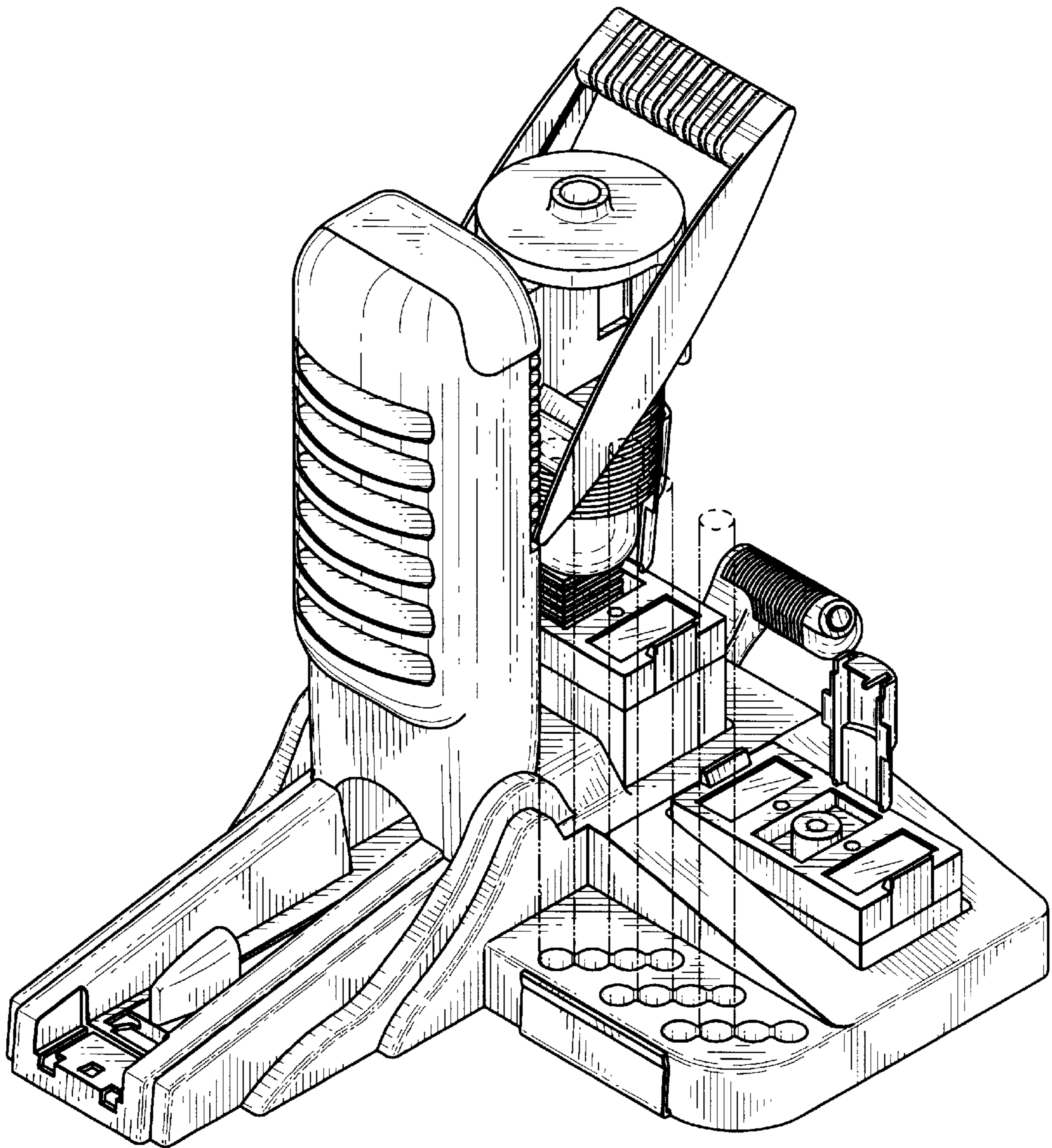


FIG. 2

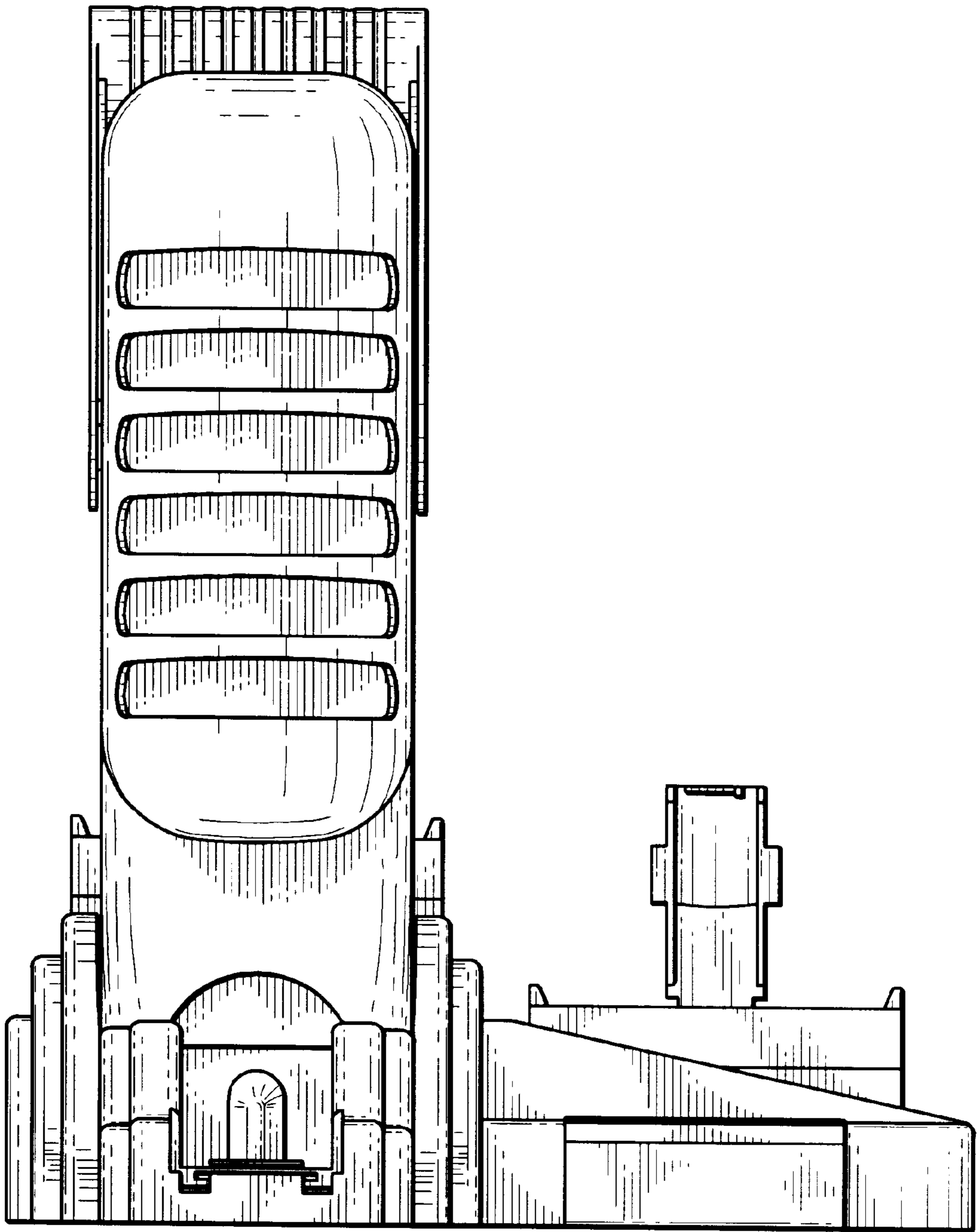
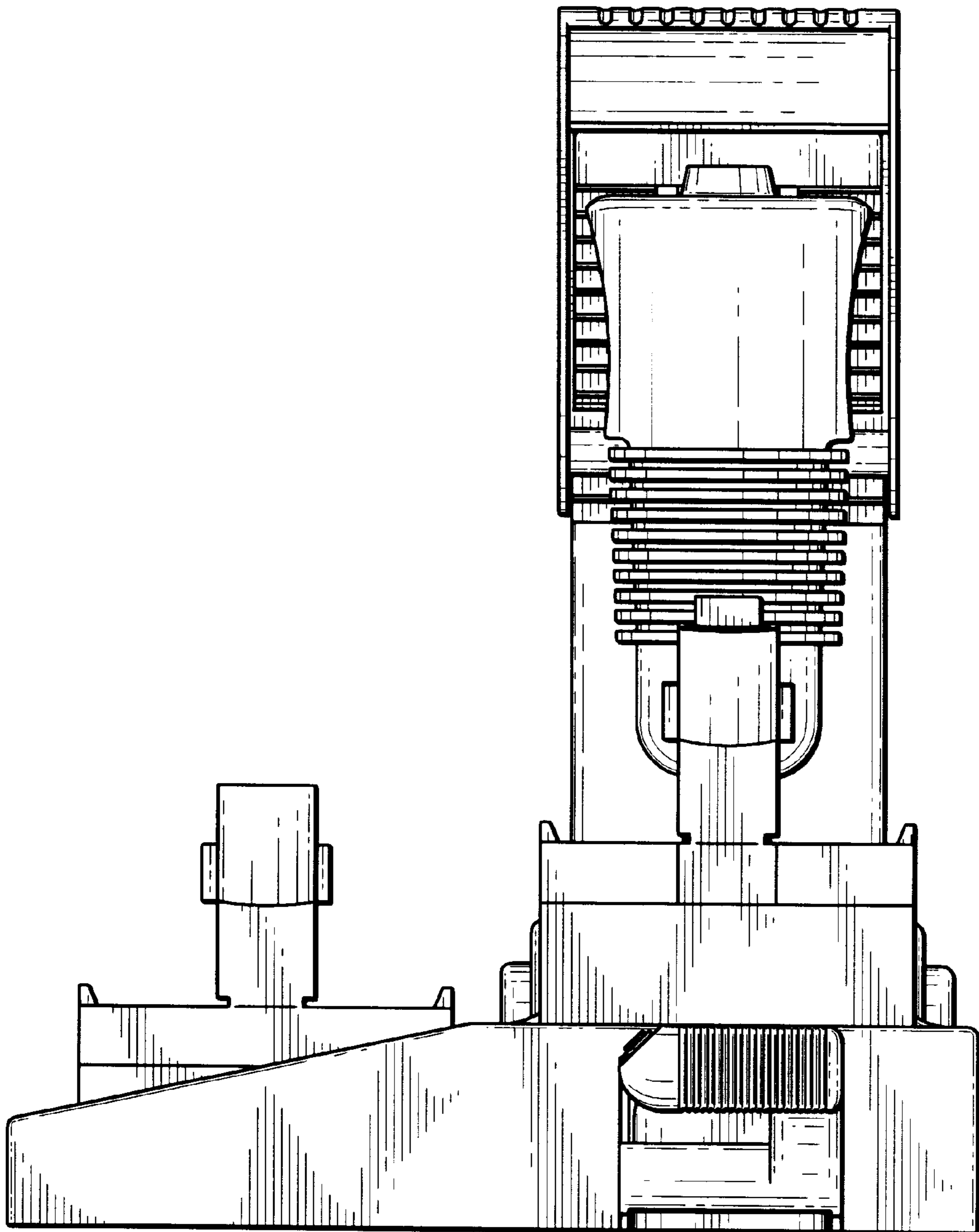


FIG. 3



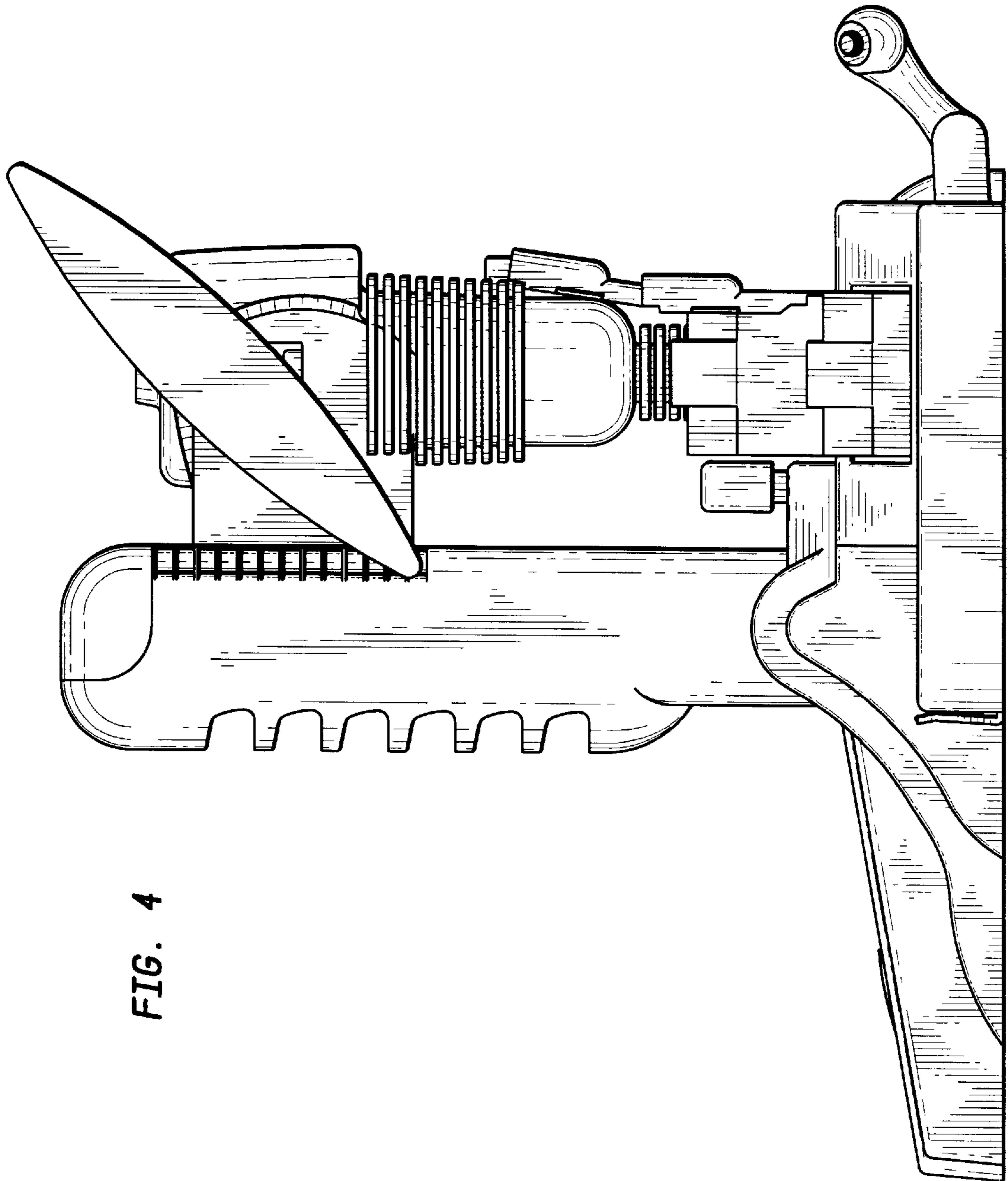


FIG. 4

FIG. 5

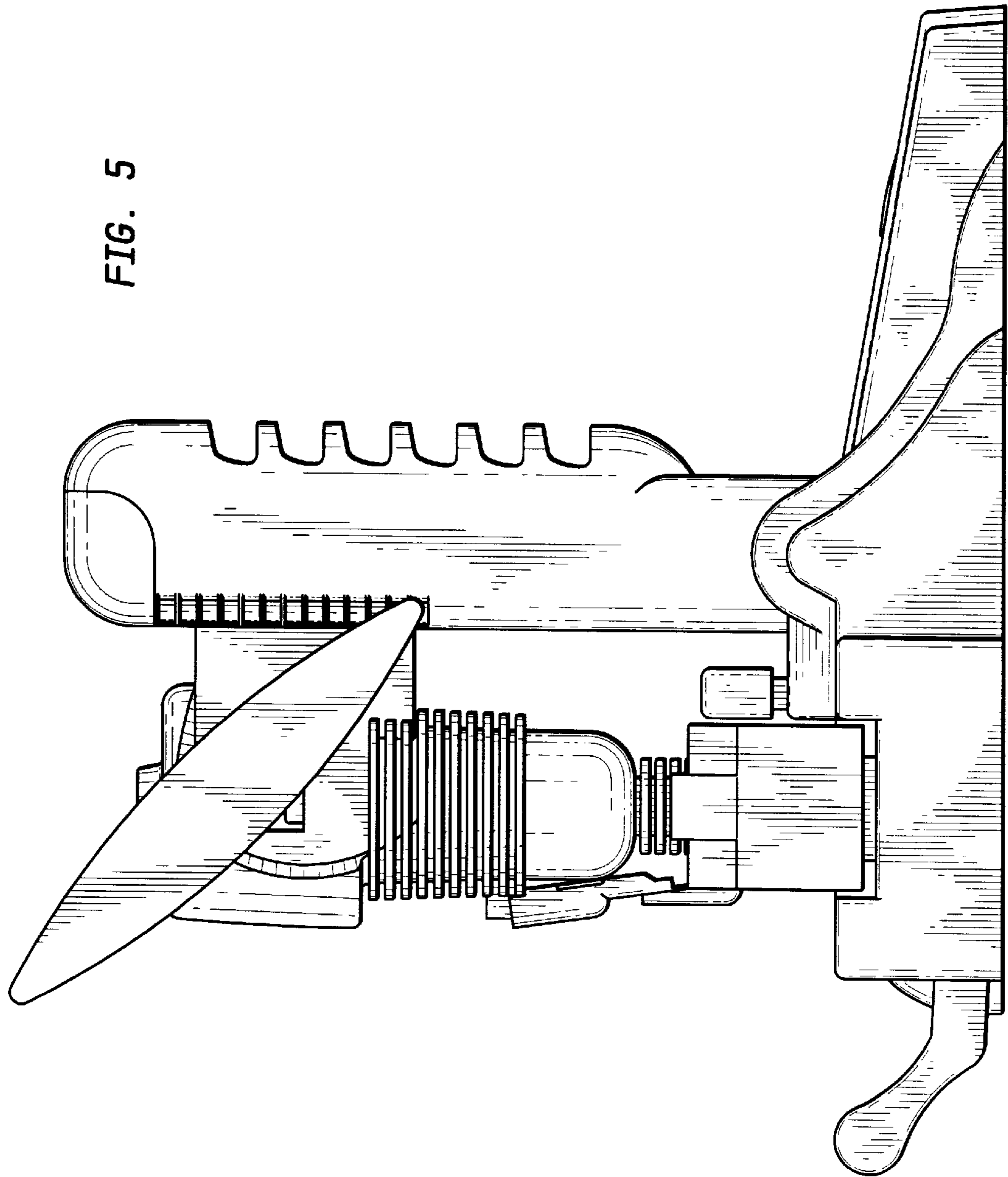


FIG. 6

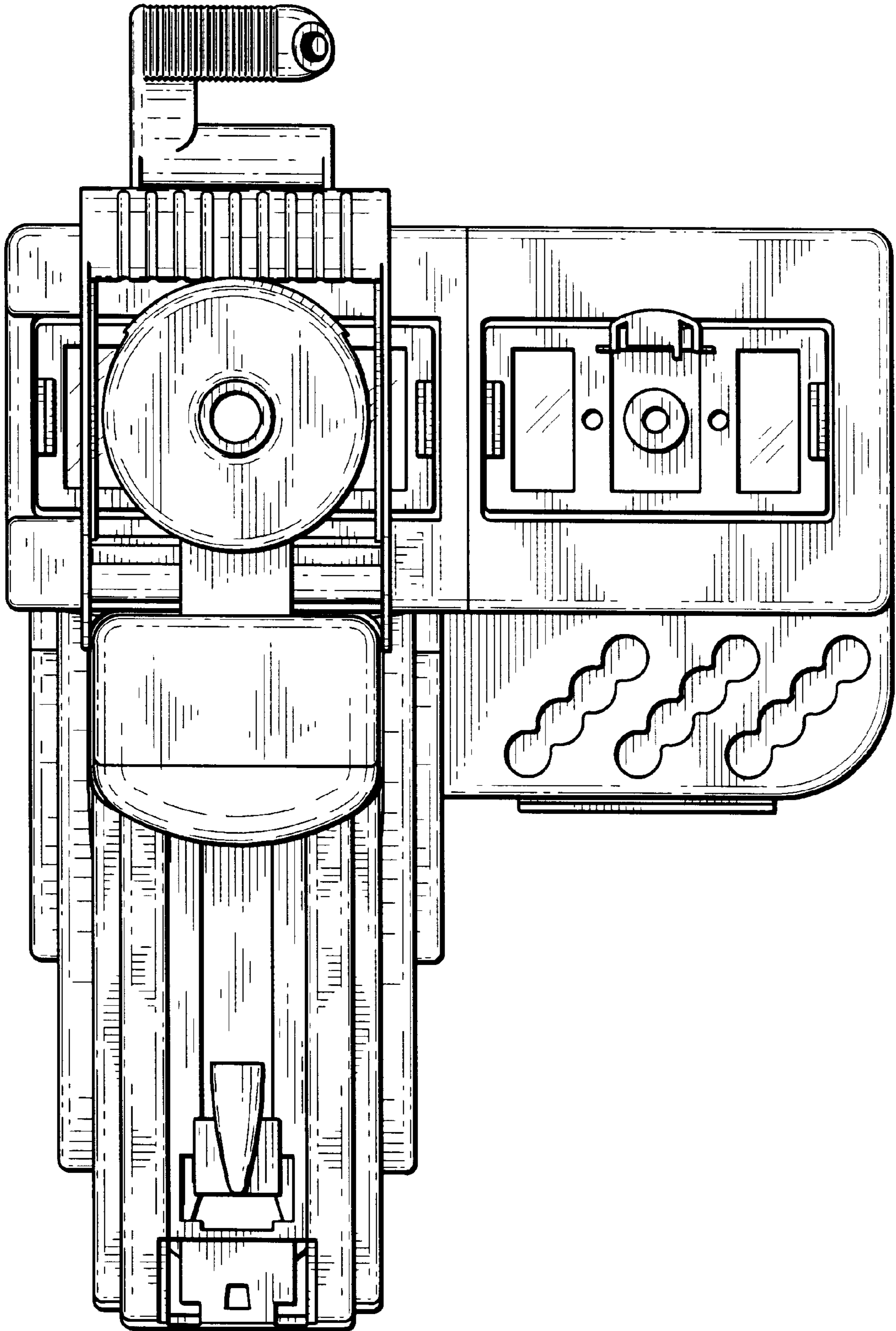


FIG. 7

