



US00D476698S

(12) **United States Design Patent**
Luciano, Jr. et al.

(10) **Patent No.: US D476,698 S**

(45) **Date of Patent: ** *Jul. 1, 2003**

(54) **GAMING DEVICE VAULT**

(75) Inventors: **Robert Anthony Luciano, Jr.**, Reno, NV (US); **Richard William Fiore**, Las Vegas, NV (US); **Michael Joseph Souza**, Reno, NV (US)

(73) Assignee: **Sierra Design Group**, Reno, NV (US)

(*) Notice: This patent is subject to a terminal disclaimer.

(**) Term: **14 Years**

(21) Appl. No.: **29/148,176**

(22) Filed: **Sep. 10, 2001**

(51) **LOC (7) Cl.** **21-01**

(52) **U.S. Cl.** **D21/385**; D21/369

(58) **Field of Search** D21/324, 325, D21/333, 369, 370, 374, 375; 463/17, 20, 25-28, 46, 47; D99/28, 35

(56) **References Cited**

U.S. PATENT DOCUMENTS

- D262,749 S * 1/1982 Taivalvuo D99/35
- D272,292 S 1/1984 Campbell
- D332,169 S 12/1992 Nottingham et al.
- 5,259,616 A * 11/1993 Bergmann 463/17
- 5,290,033 A 3/1994 Bittner et al.

- 5,344,199 A 9/1994 Carstens et al.
- 5,397,125 A 3/1995 Adams
- 5,775,537 A 7/1998 Doyle, Jr.
- D415,535 S * 10/1999 Heidel D21/369
- 6,299,170 B1 * 10/2001 Yoseloff 463/20
- 6,302,790 B1 * 10/2001 Brossard 463/20
- 6,318,537 B1 * 11/2001 Jones et al. 194/346
- 6,319,127 B1 * 11/2001 Walker et al. 463/25
- 6,386,974 B1 * 5/2002 Adams 463/25

* cited by examiner

Primary Examiner—Sandra L. Morris
(74) *Attorney, Agent, or Firm*—Jonathan T. Velasco; Russ F. Marsden

(57) **CLAIM**

The ornamental design for a gaming device vault, as shown and described.

DESCRIPTION

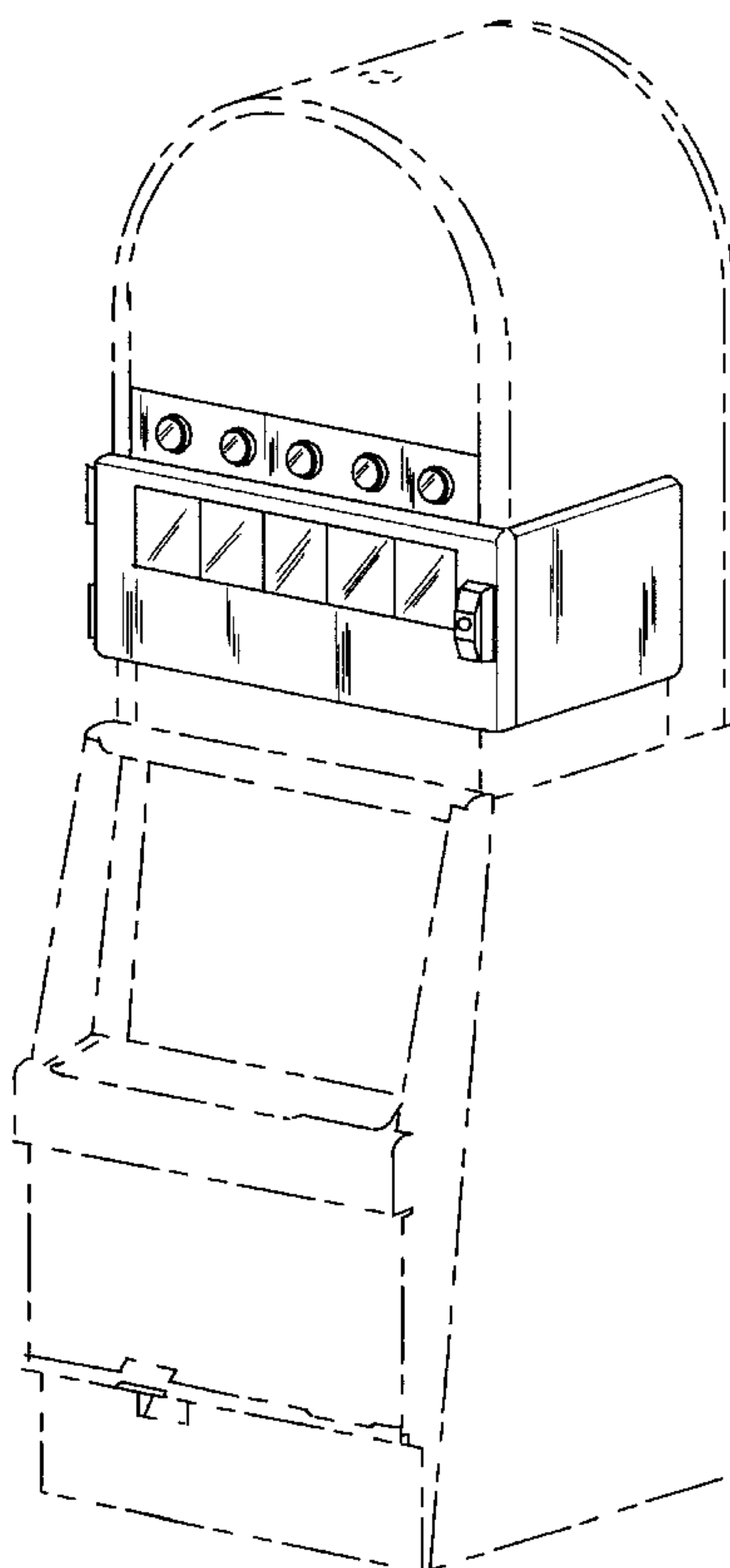
FIG. 1 is a front elevation view of the gaming device vault according to one embodiment.

FIG. 2 is a perspective view of the gaming device vault according to FIG. 1; and,

FIG. 3 is a perspective view of the gaming device vault according to another embodiment.

The broken lines are for purposes of illustration only and form no part of the claimed invention.

1 Claim, 3 Drawing Sheets



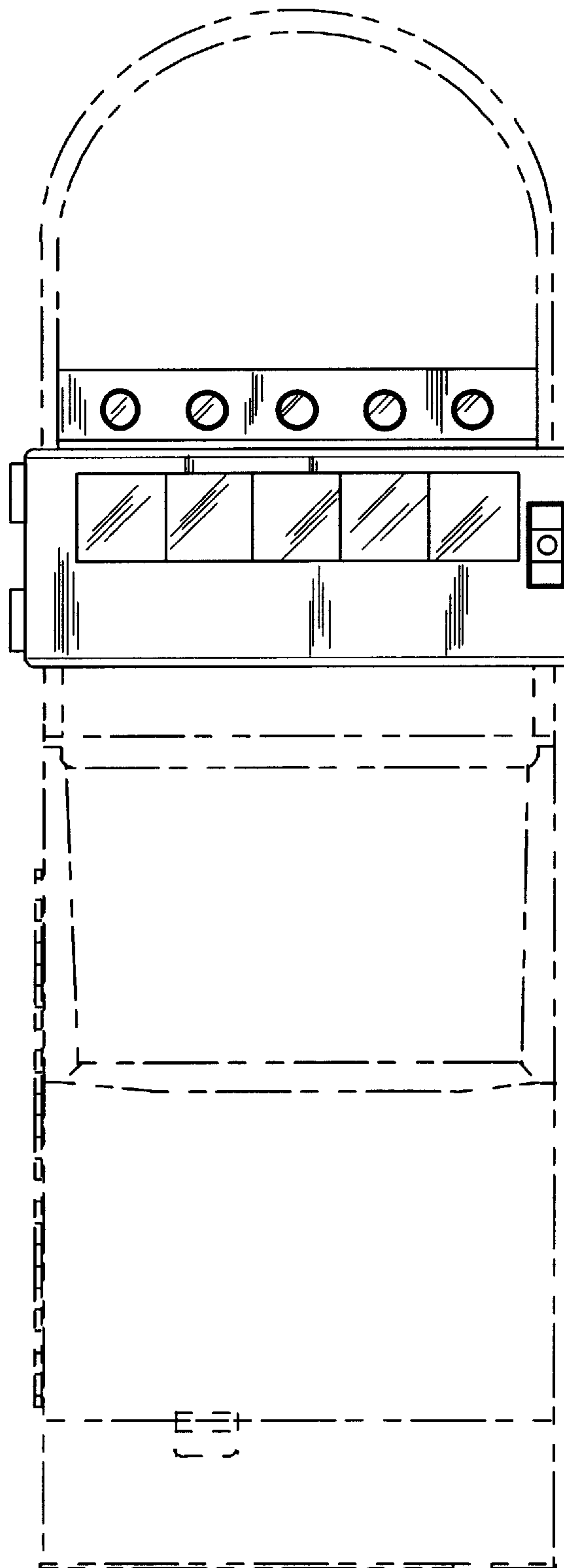


Fig.1

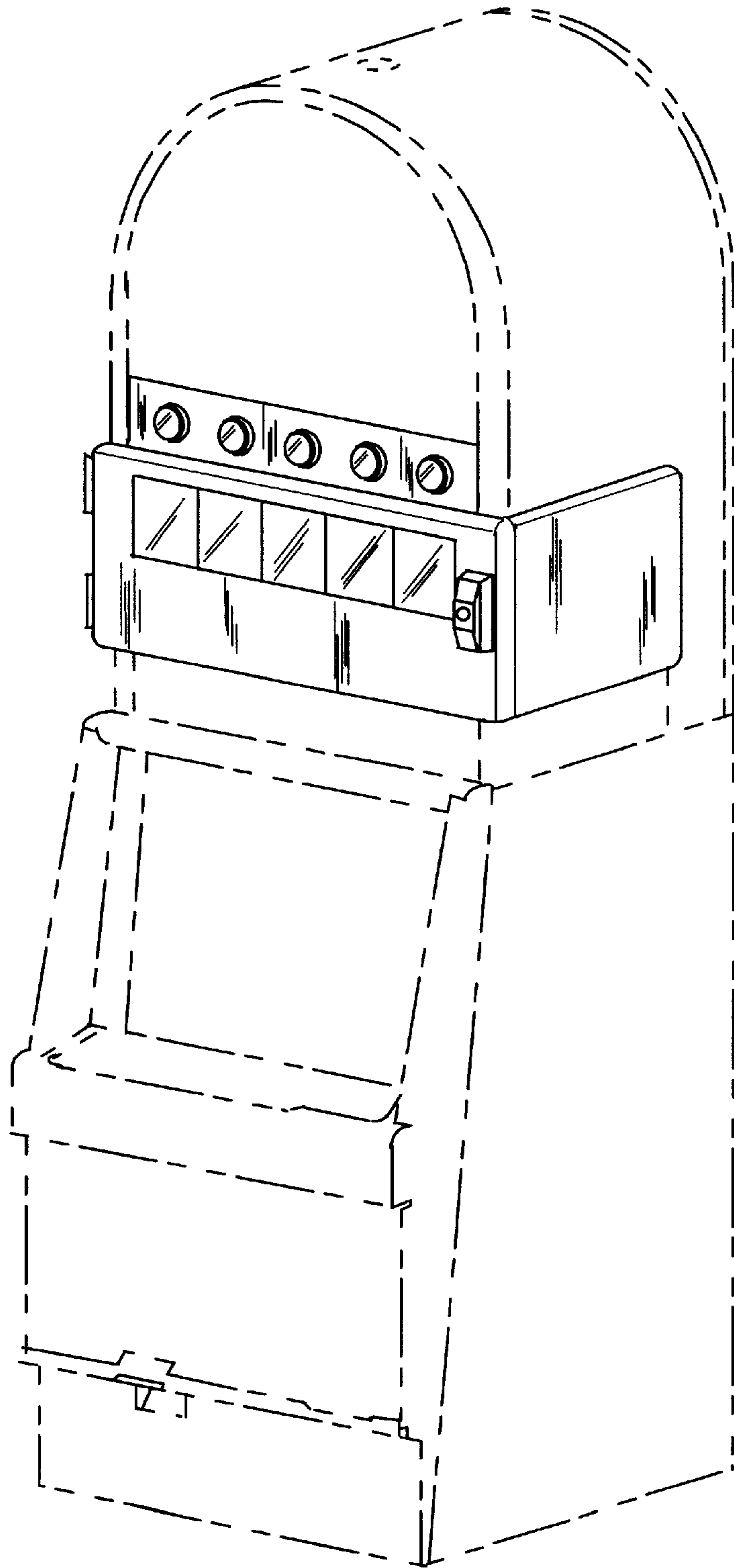


Fig. 2

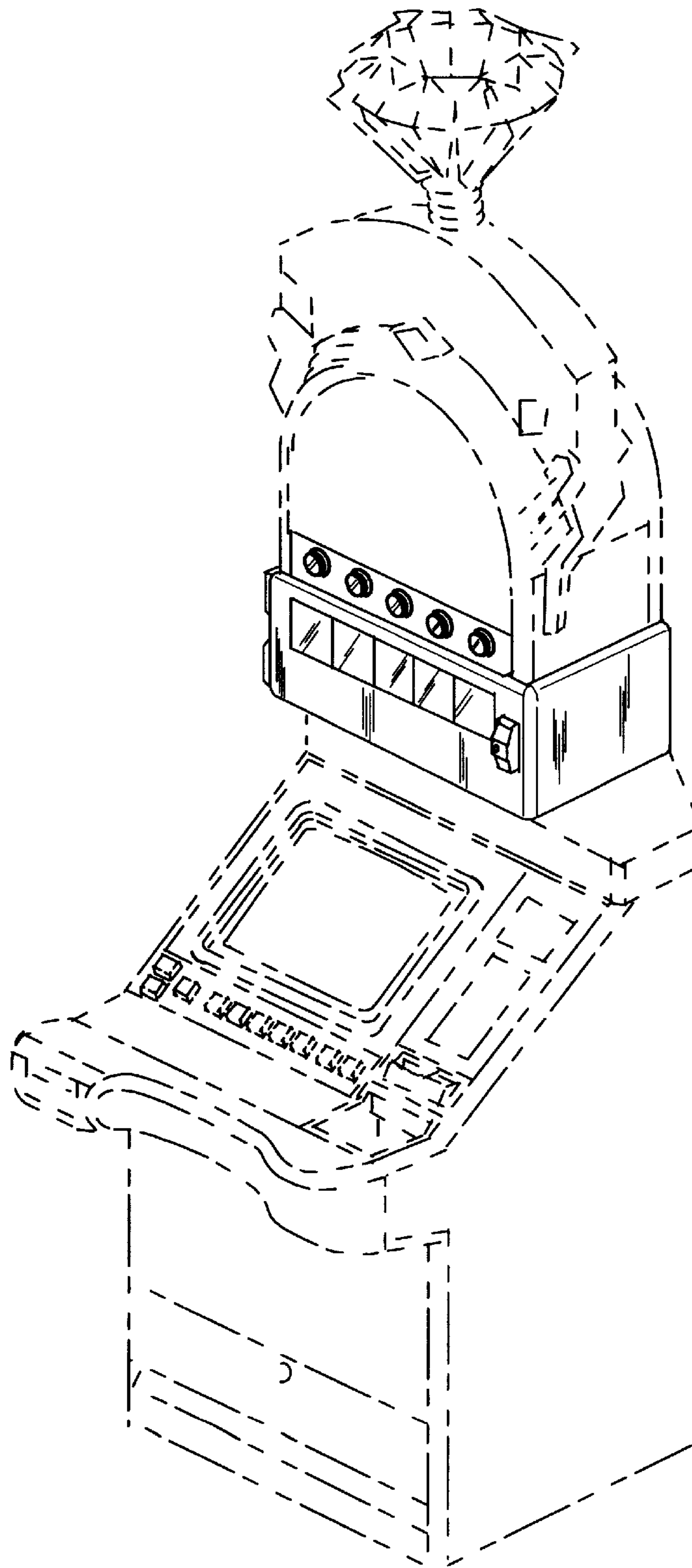


Fig.3