



US00D476697S

(12) **United States Design Patent**
Guridi

(10) **Patent No.:** **US D476,697 S**

(45) **Date of Patent:** **** Jul. 1, 2003**

(54) **TABLE GAME**

(75) **Inventor:** **Jose Javier Silva Guridi**, Houston, TX (US)

(73) **Assignee:** **Unified Science Advancement, Inc.**, Houston, TX (US)

(**) **Term:** **14 Years**

(21) **Appl. No.:** **29/160,036**

(22) **Filed:** **May 2, 2002**

(51) **LOC (7) Cl.** **21-01**

(52) **U.S. Cl.** **D21/321**

(58) **Field of Search** D21/321, 312, D21/340, 334, 338, 345; 273/108, 108.1, 126 A, 126 R, 123 R, 118 R, 127 R, 236

(56) **References Cited**

U.S. PATENT DOCUMENTS

D143,555 S	1/1946	Sharpe	
D161,081 S	* 12/1950	Bazon	D21/321
2,593,641 A	* 4/1952	Wolverton	273/126 A
2,990,180 A	* 6/1961	Koci	173/126 A
3,174,752 A	3/1965	Plentis	273/126
D202,793 S	* 11/1965	Smith	D21/321
3,219,349 A	11/1965	Smith	273/126
3,429,574 A	* 2/1969	Williams	273/123 R
3,572,717 A	3/1971	Auguella	273/126
3,647,215 A	3/1972	Sterlicchi et al.	273/123 R
3,762,711 A	10/1973	Cooper	273/126 R
3,825,264 A	7/1974	Dockum	273/126 R
D236,994 S	* 9/1975	Fisher et al.	D21/340

3,907,294 A	9/1975	Breslow	273/85 R
3,992,009 A	11/1976	Trbovich	273/126 R
4,215,863 A	* 8/1980	Kulper	273/126 R
D262,896 S	2/1982	Dabbs	D21/7
D285,943 S	9/1986	Sadleir	D21/11
5,011,147 A	4/1991	Thomas et al.	273/126 A
D330,570 S	* 10/1992	Maldeney, II	D21/321
5,222,737 A	6/1993	Kazuk	273/126 A
D361,795 S	* 8/1995	Abrudan	D21/321
D370,699 S	6/1996	Alford	D21/7
D400,950 S	11/1998	Nally et al.	D21/397
D400,951 S	11/1998	Nally et al.	D21/397
D418,176 S	12/1999	Nally et al.	D21/397

* cited by examiner

Primary Examiner—Prabhakar Deshmukh

(74) *Attorney, Agent, or Firm*—Locke Liddell & Sapp LLP

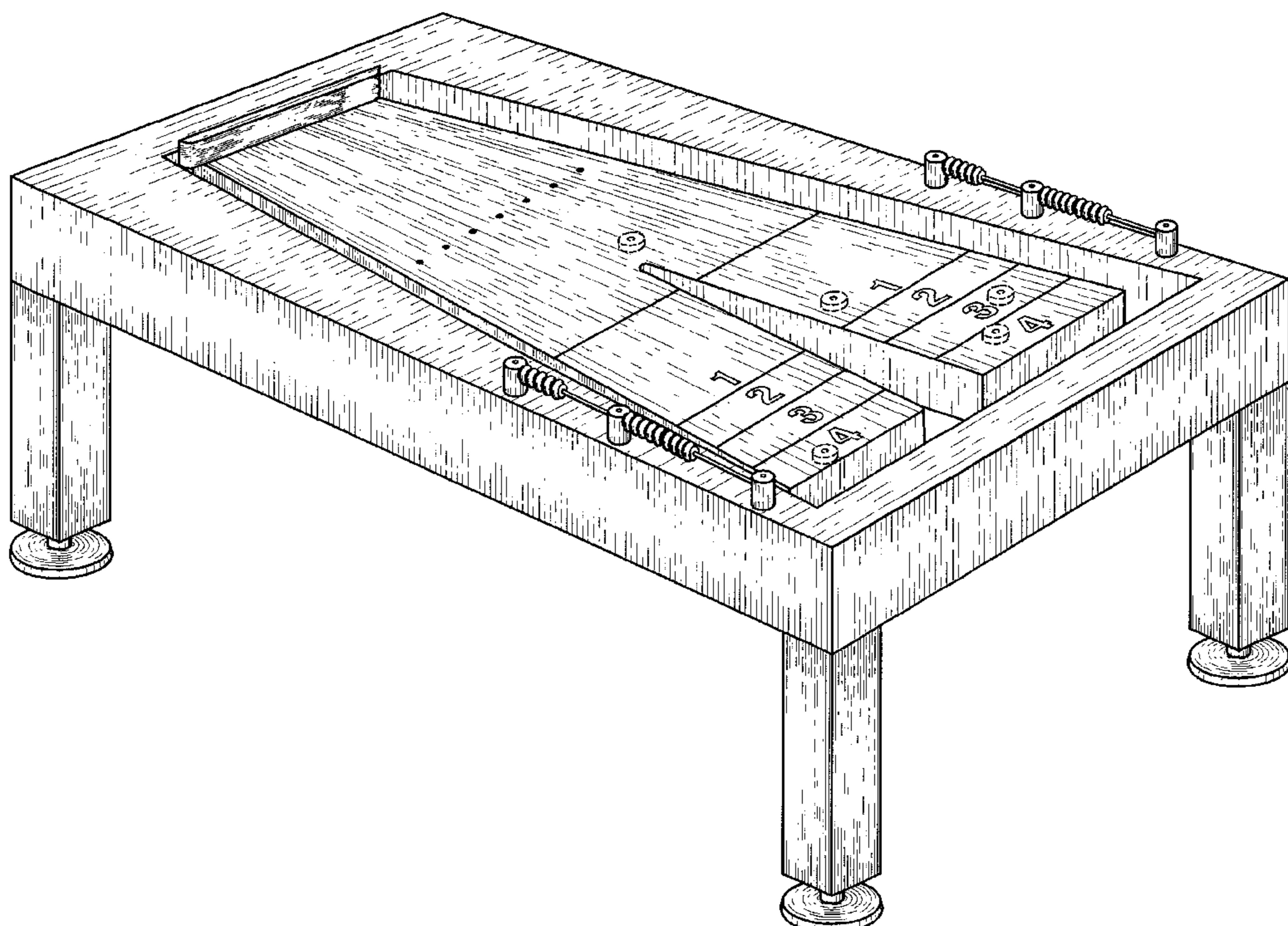
(57) **CLAIM**

The ornamental design for table game, as shown and described.

DESCRIPTION

FIG. 1 is a perspective view of an ornamental design of a game table;
FIG. 2 is a front view of an ornamental design of a game table;
FIG. 3 is a side view of an ornamental design of a game table; and,
FIG. 4 is a top view of an ornamental design of a game table.
The portions of the design not shown in the drawing are disclaimed.

1 Claim, 4 Drawing Sheets



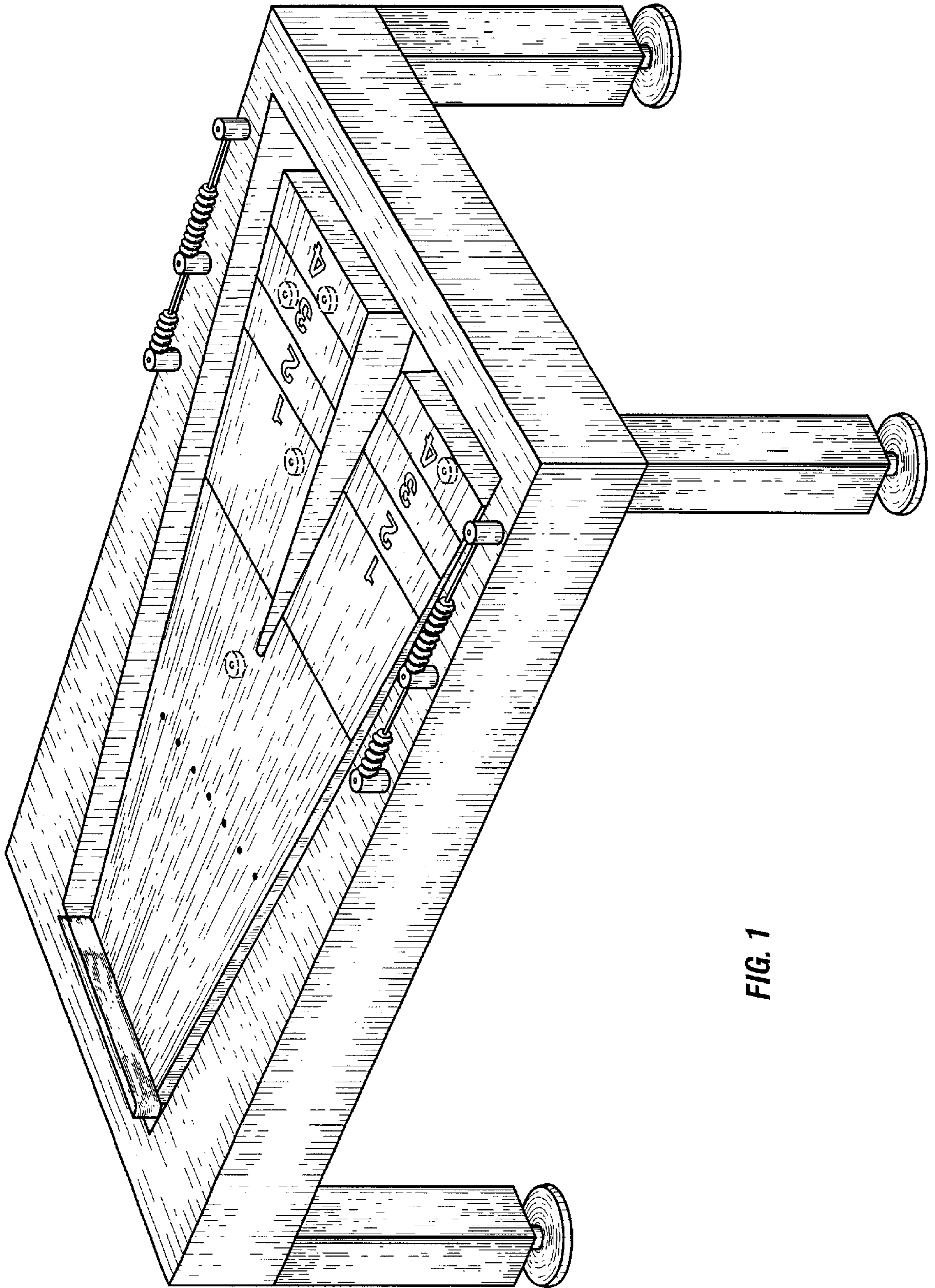


FIG. 1

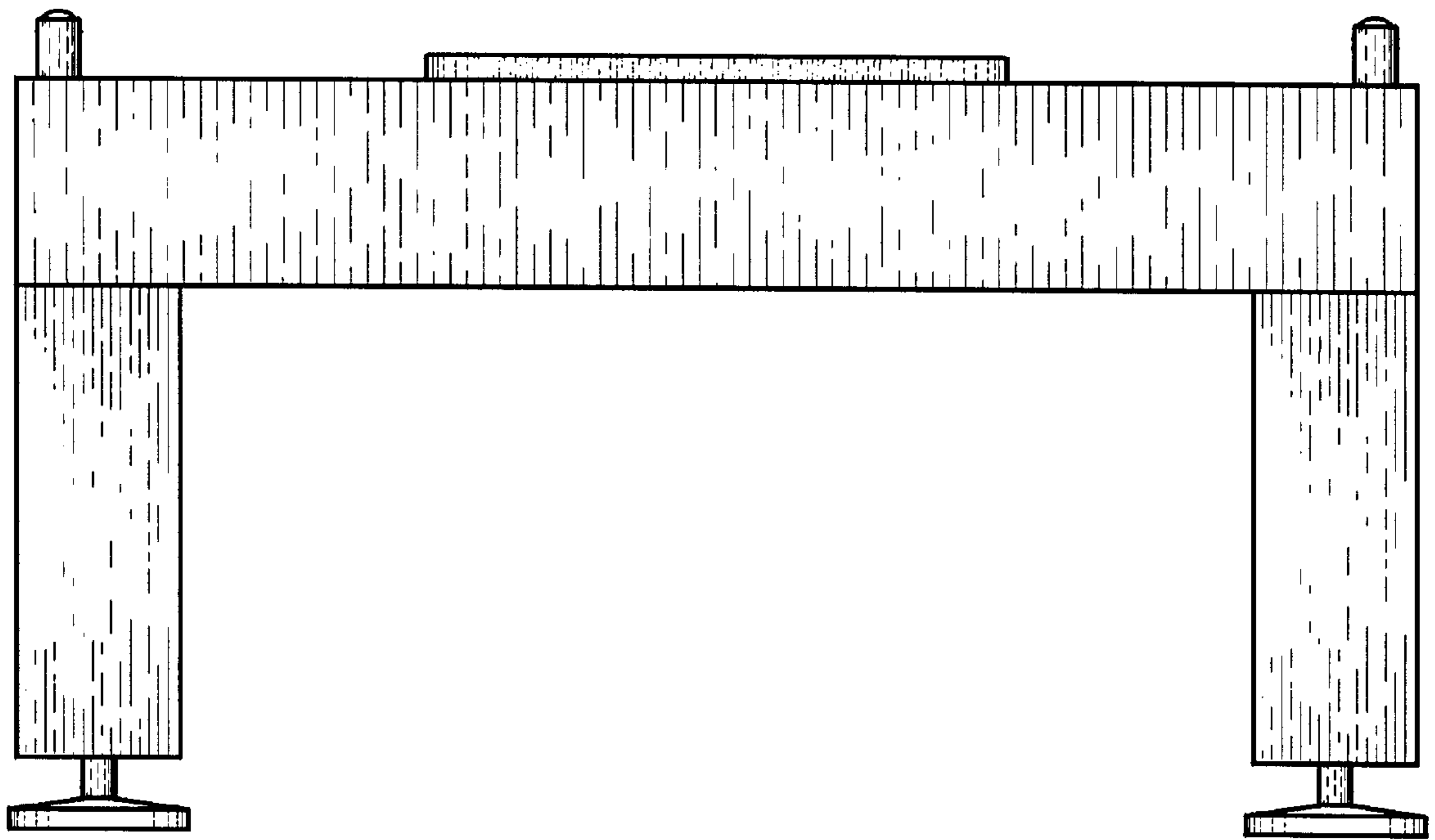


FIG. 2

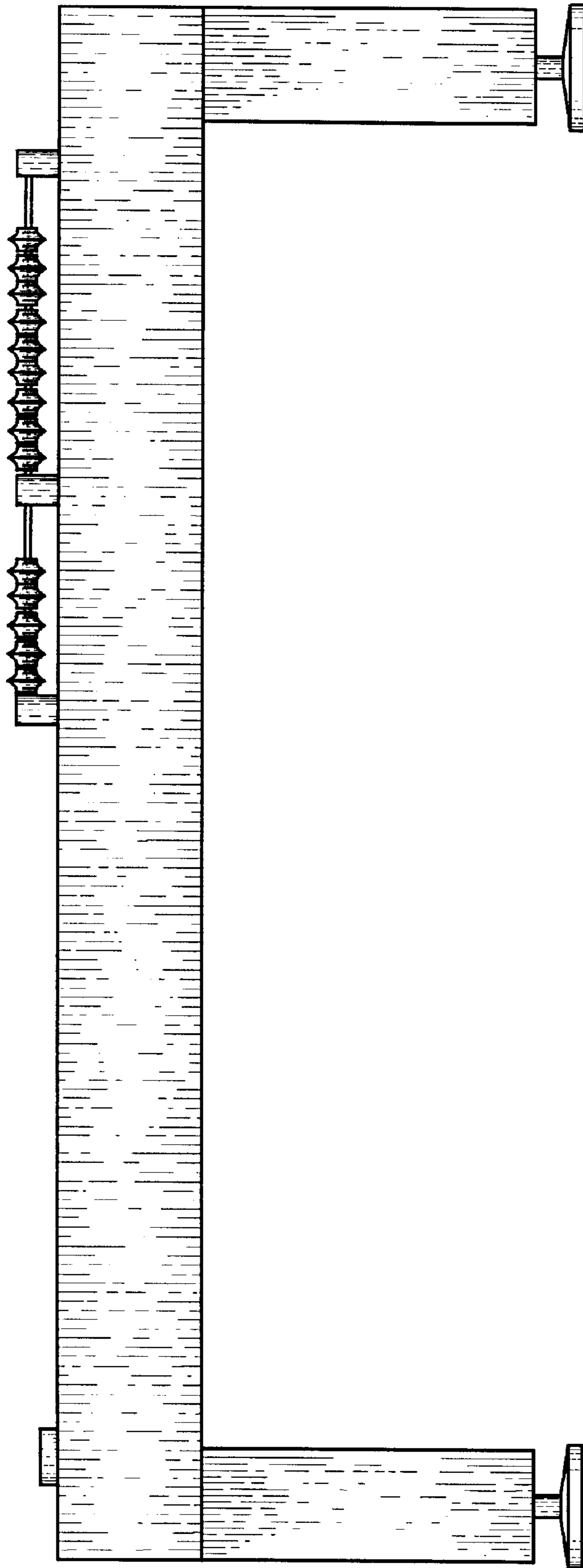


FIG. 3

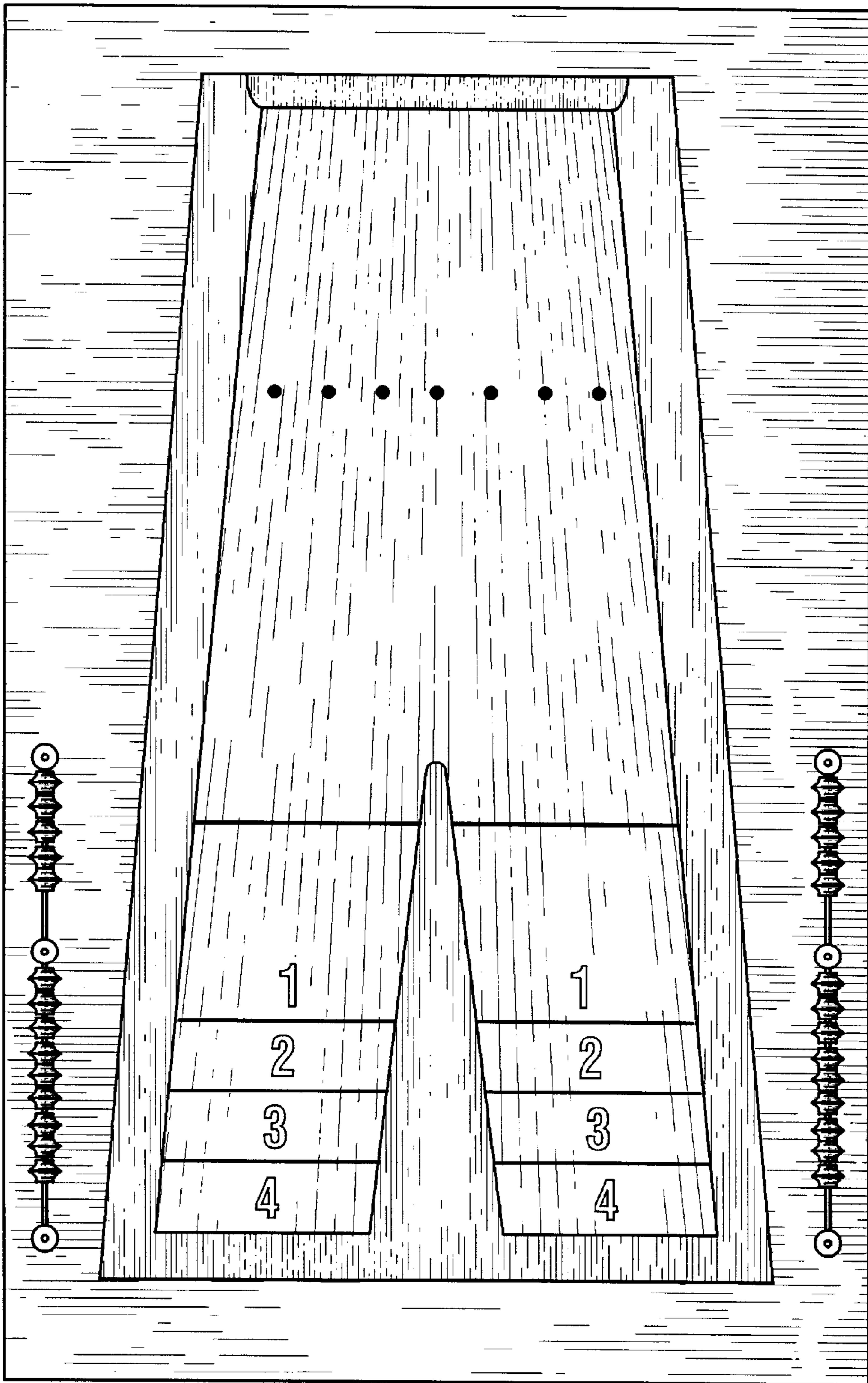


FIG. 4