



US00D476695S

(12) **United States Design Patent**
Cobb et al.

(10) **Patent No.:** **US D476,695 S**

(45) **Date of Patent:** **** Jul. 1, 2003**

(54) **SIGN FACE**

D449,654 S 10/2001 Petersen et al.

(75) Inventors: **Ronald W. Cobb**, Atlanta, GA (US);
Benjamin H. Bell, Avondale Estates, GA (US)

* cited by examiner

Primary Examiner—Robert M. Spear
(74) *Attorney, Agent, or Firm*—Chambliss, Bahner & Stophel, P.C.

(73) Assignee: **APCO Graphics, Inc.**, Atlanta, GA (US)

(57) **CLAIM**

(**) Term: **14 Years**

The ornamental design for a sign face, as shown and described.

(21) Appl. No.: **29/169,893**

DESCRIPTION

(22) Filed: **Oct. 29, 2002**

Related U.S. Application Data

(62) Division of application No. 29/148,044, filed on Sep. 13, 2001, now Pat. No. Des. 469,473.

FIG. 1 is a perspective view of a first embodiment of the sign face of our new design.

FIG. 2 is a front view of the first embodiment of the sign face of our new design.

FIG. 3 is a right side view of the first embodiment of the sign face of our new design. The left side view is a mirror image of FIG. 3.

(51) **LOC (7) Cl.** **20-03**

(52) **U.S. Cl.** **D20/43**

(58) **Field of Search** D20/10, 15, 40,
D20/42, 43, 44, 99; 40/585, 606, 607, 611,
782

FIG. 4 is a rear view of the first embodiment of the sign face of our new design.

FIG. 5 is a top view of the first embodiment of the sign face of our new design. The bottom view is a mirror image of FIG. 5.

(56) **References Cited**

U.S. PATENT DOCUMENTS

D108,452 S	*	2/1938	Manchan	D20/43
D227,317 S	*	6/1973	Hunt	D20/43
4,787,621 A		11/1988	Sattler		
D330,919 S		11/1992	Von Canal		
D334,775 S		4/1993	Foster		
5,212,898 A		5/1993	Dinan et al.		
5,471,794 A		12/1995	Nishoka		
D383,795 S		9/1997	Rinicella et al.		
D384,374 S		9/1997	Sandy		
D406,863 S		3/1999	Evarts et al.		
5,966,857 A		10/1999	Pettersson et al.		

FIG. 6 is a perspective view of the second embodiment of the sign face of our new design.

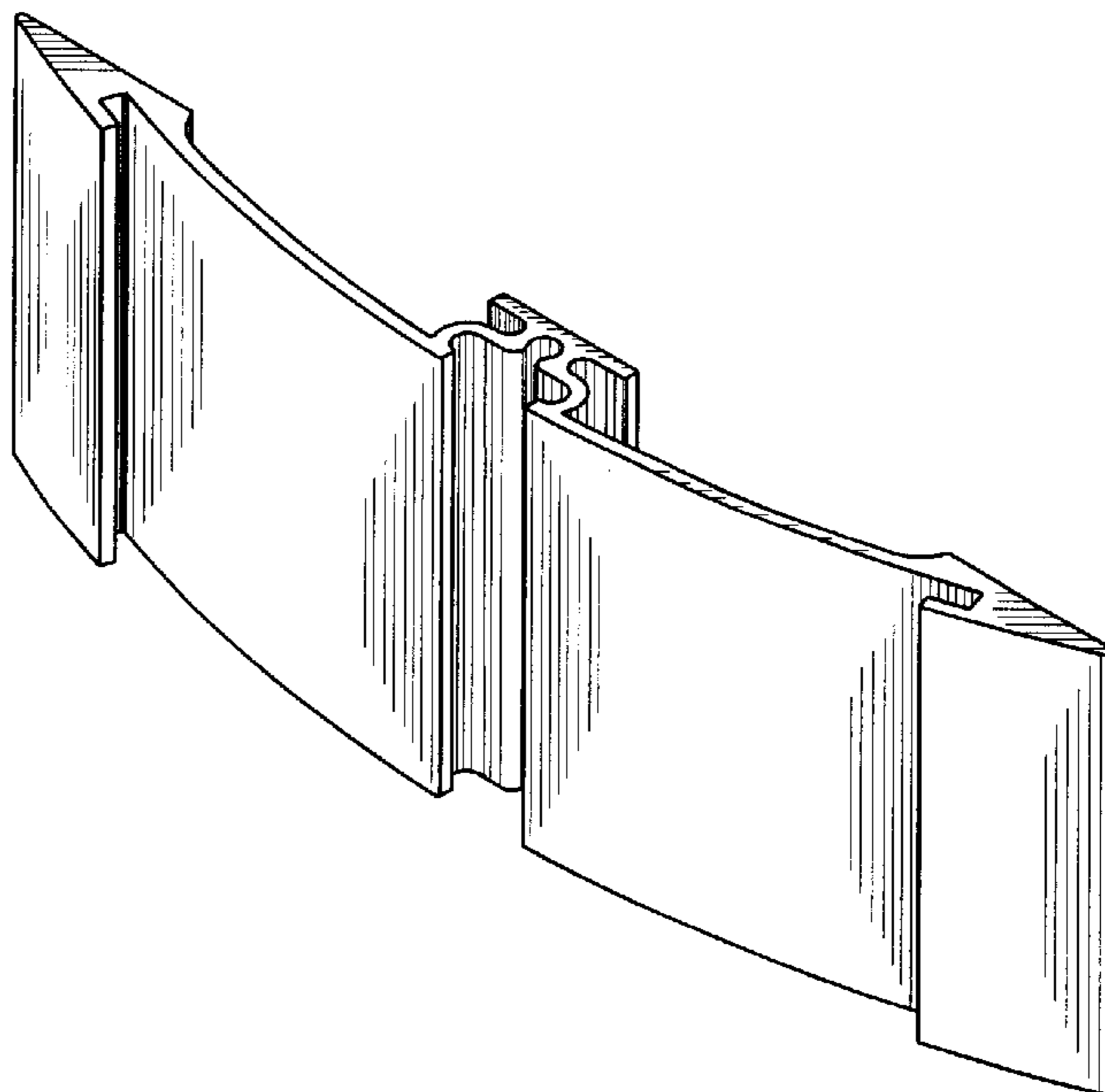
FIG. 7 is a front view of the second embodiment of the sign face of our new design.

FIG. 8 is a right side view of the second embodiment of the sign face of our new design. The left side view is a mirror image of FIG. 8.

FIG. 9 is a rear view of the second embodiment of the sign face of our new design; and,

FIG. 10 is a top view of the second embodiment of the sign face of our new design. The bottom view is a mirror image of FIG. 10.

1 Claim, 4 Drawing Sheets



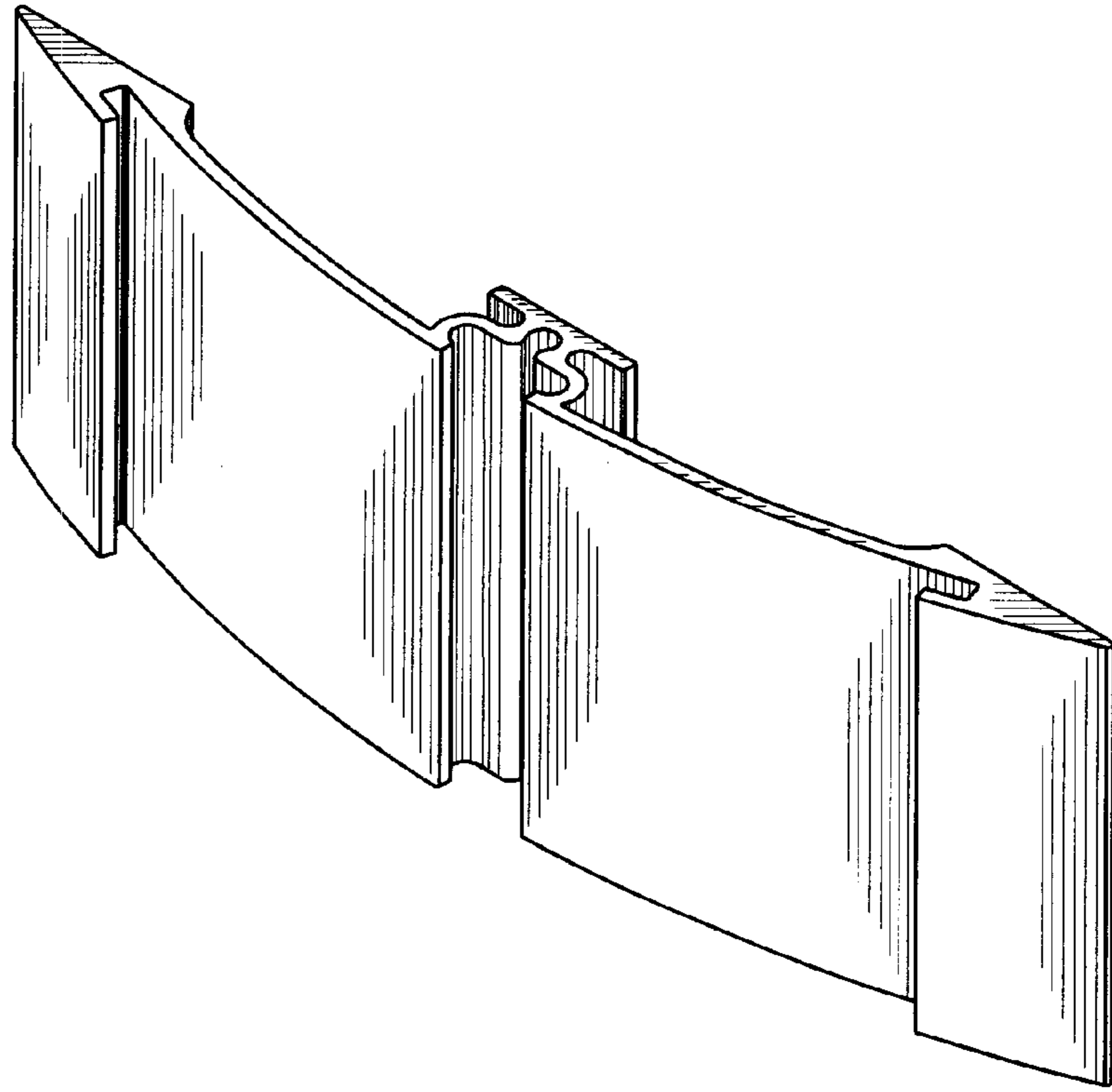


Figure 1

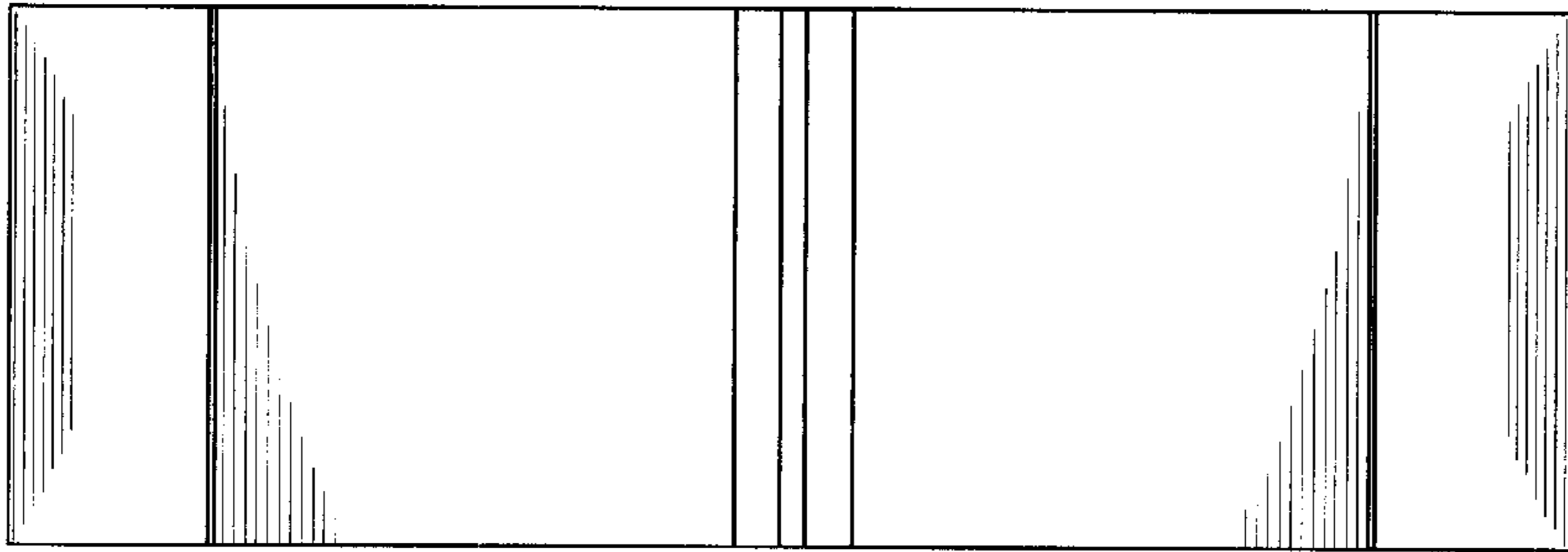


Figure 2



Figure 3

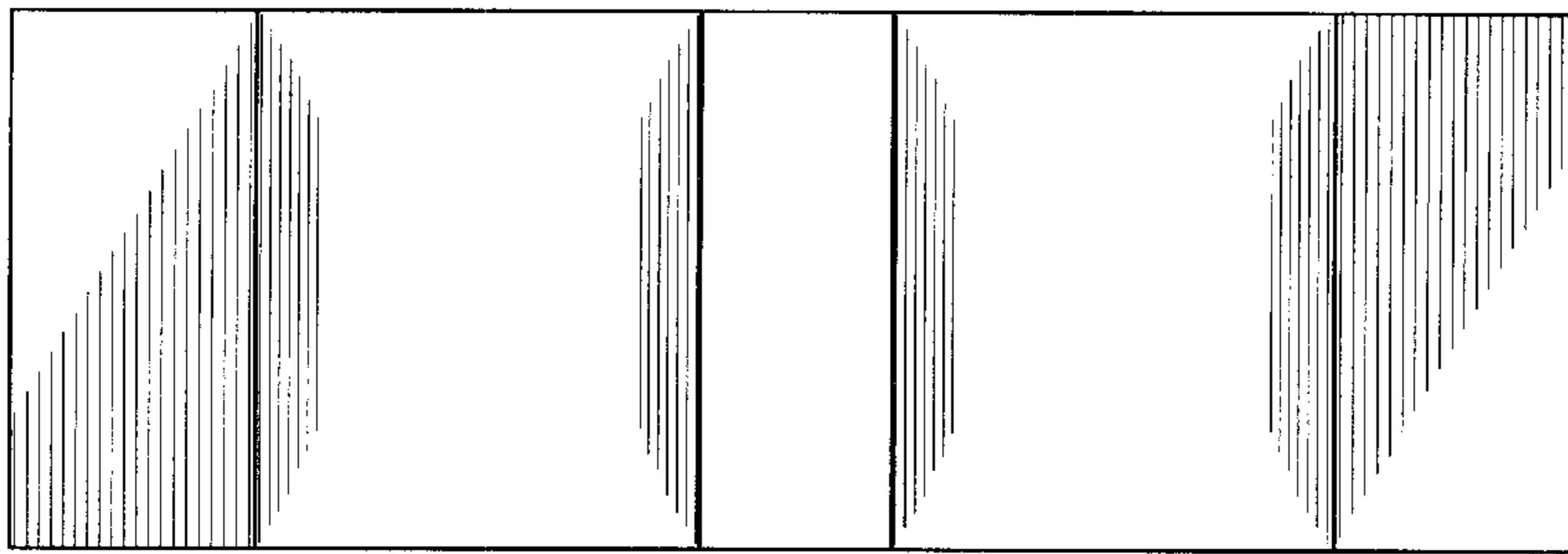


Figure 4



Figure 5

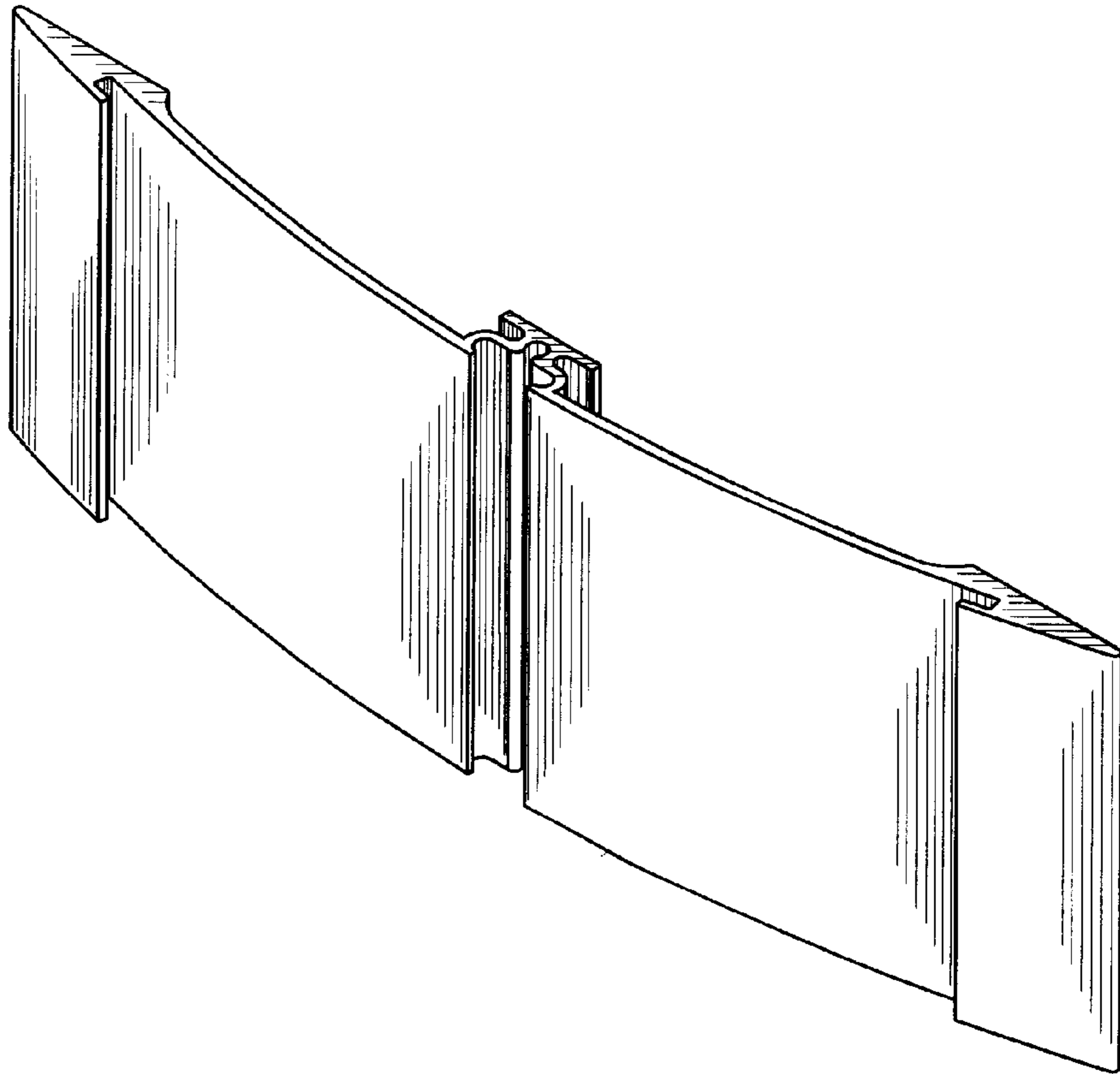


Figure 6

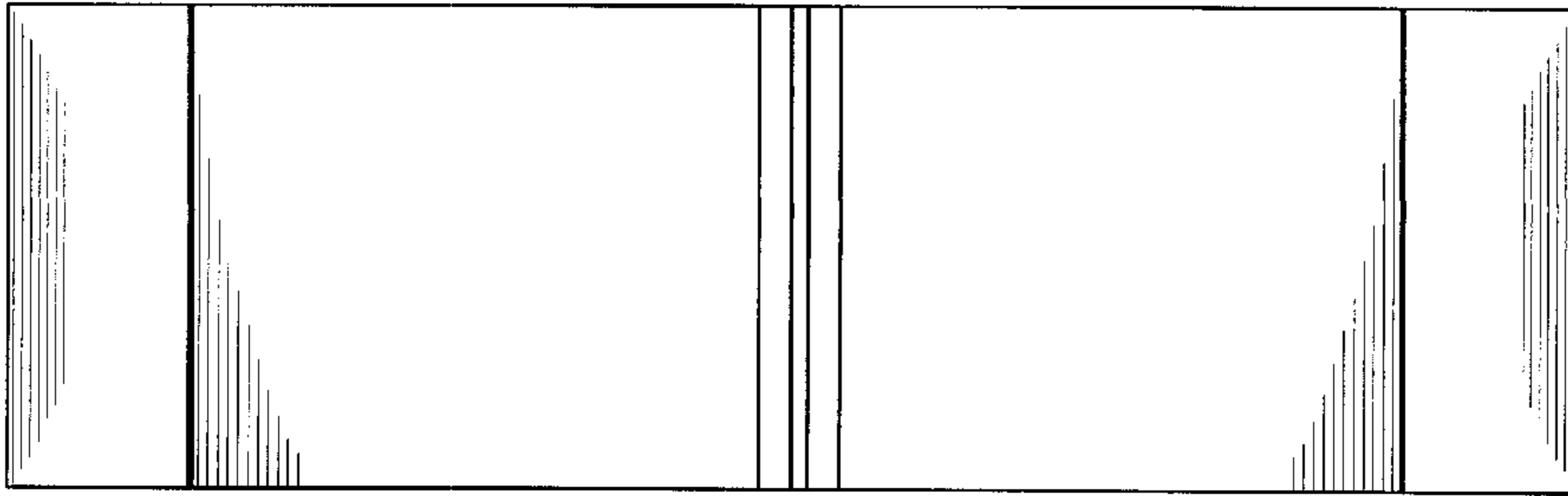


Figure 7



Figure 8

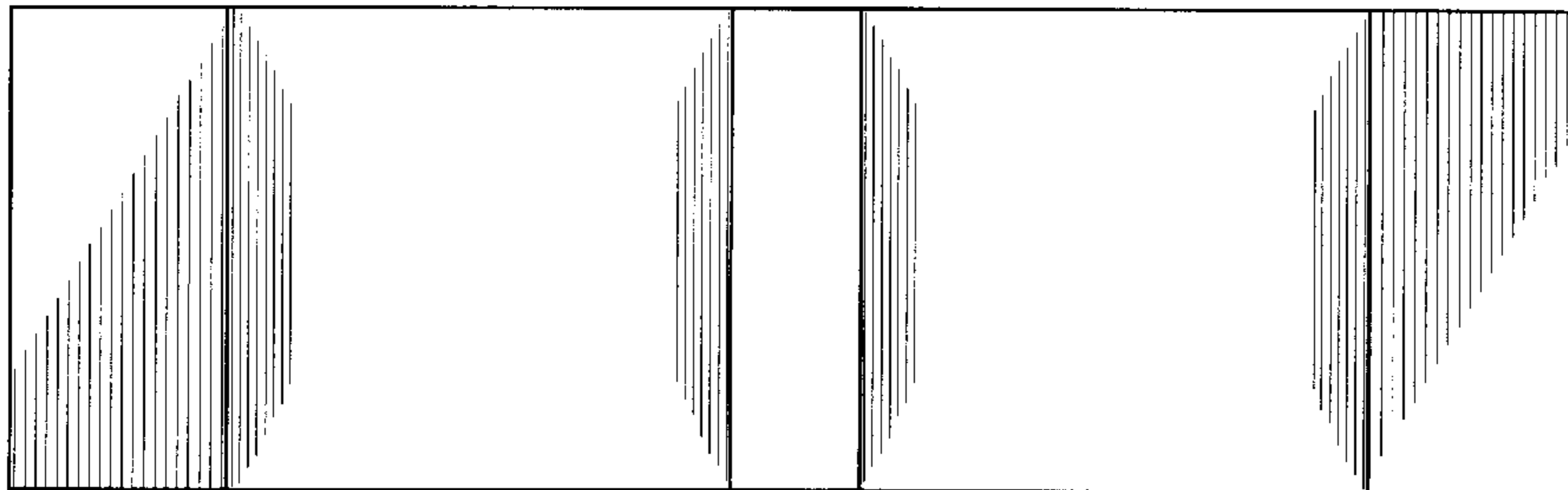


Figure 9

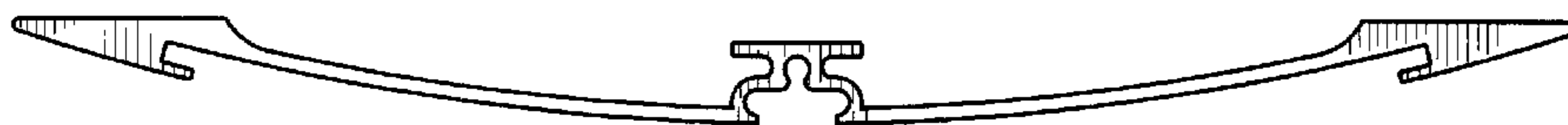


Figure 10