



US00D476688S

(12) **United States Design Patent**
Yu

(10) **Patent No.:** **US D476,688 S**

(45) **Date of Patent:** **** Jul. 1, 2003**

(54) **MONEY CHANGE MACHINE**

(75) **Inventor:** **Cheng-Kang Yu, Taipei (TW)**

(73) **Assignee:** **International Currency Technologies Corporation, Taipei (TW)**

(**) **Term:** **14 Years**

(21) **Appl. No.:** **29/153,459**

(22) **Filed:** **Jan. 10, 2002**

(51) **LOC (7) Cl.** **20-01**

(52) **U.S. Cl.** **D20/8**

(58) **Field of Search** D20/1, 8, 9; D18/3.1, D18/3.3; D21/385; D99/28; 194/200, 206, 207, 239, 320, 342, 348, 350, 351; 235/449; 271/124

(56) **References Cited**

U.S. PATENT DOCUMENTS

- D317,019 S * 5/1991 Yukimoto et al. D20/9
- D359,765 S * 6/1995 Izawa D20/9
- 5,462,150 A * 10/1995 Chang 194/206

- D404,075 S * 1/1999 Hatamachi et al. D20/8
- 5,906,366 A * 5/1999 Chang 271/124
- D415,535 S * 10/1999 Heidel D21/385
- 6,029,972 A * 2/2000 Chang 271/124

* cited by examiner

Primary Examiner—Robert M. Spear
(74) *Attorney, Agent, or Firm*—Rabin & Berdo, P.C.

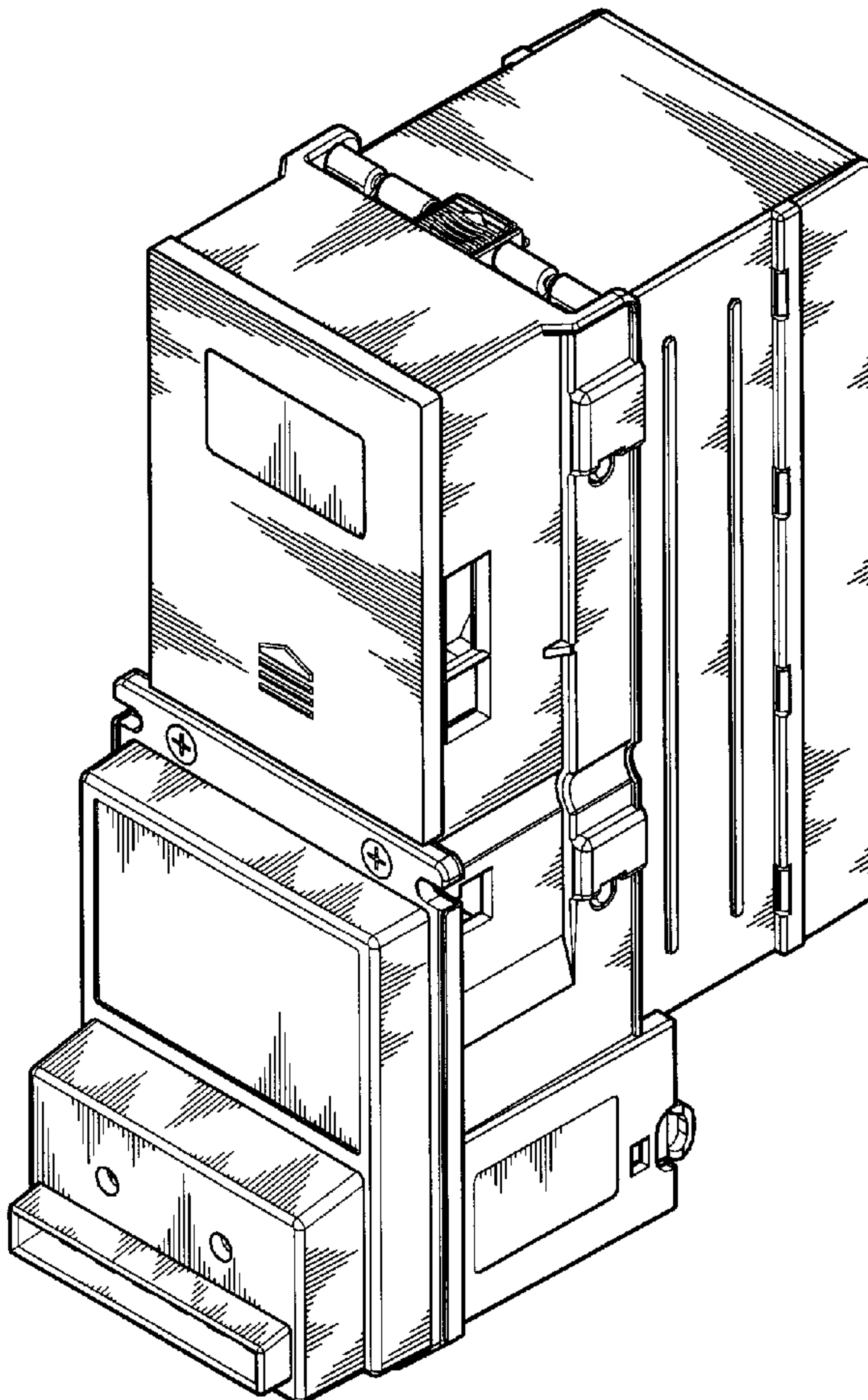
(57) **CLAIM**

The ornamental design for a money change machine, as shown and described.

DESCRIPTION

FIG. 1 is a perspective view of a money change machine showing my design;
FIG. 2 is a front view thereof;
FIG. 3 is a rear view thereof;
FIG. 4 is a left side view thereof;
FIG. 5 is a right side view thereof;
FIG. 6 is a top view thereof; and,
FIG. 7 is a bottom view thereof.

1 Claim, 7 Drawing Sheets



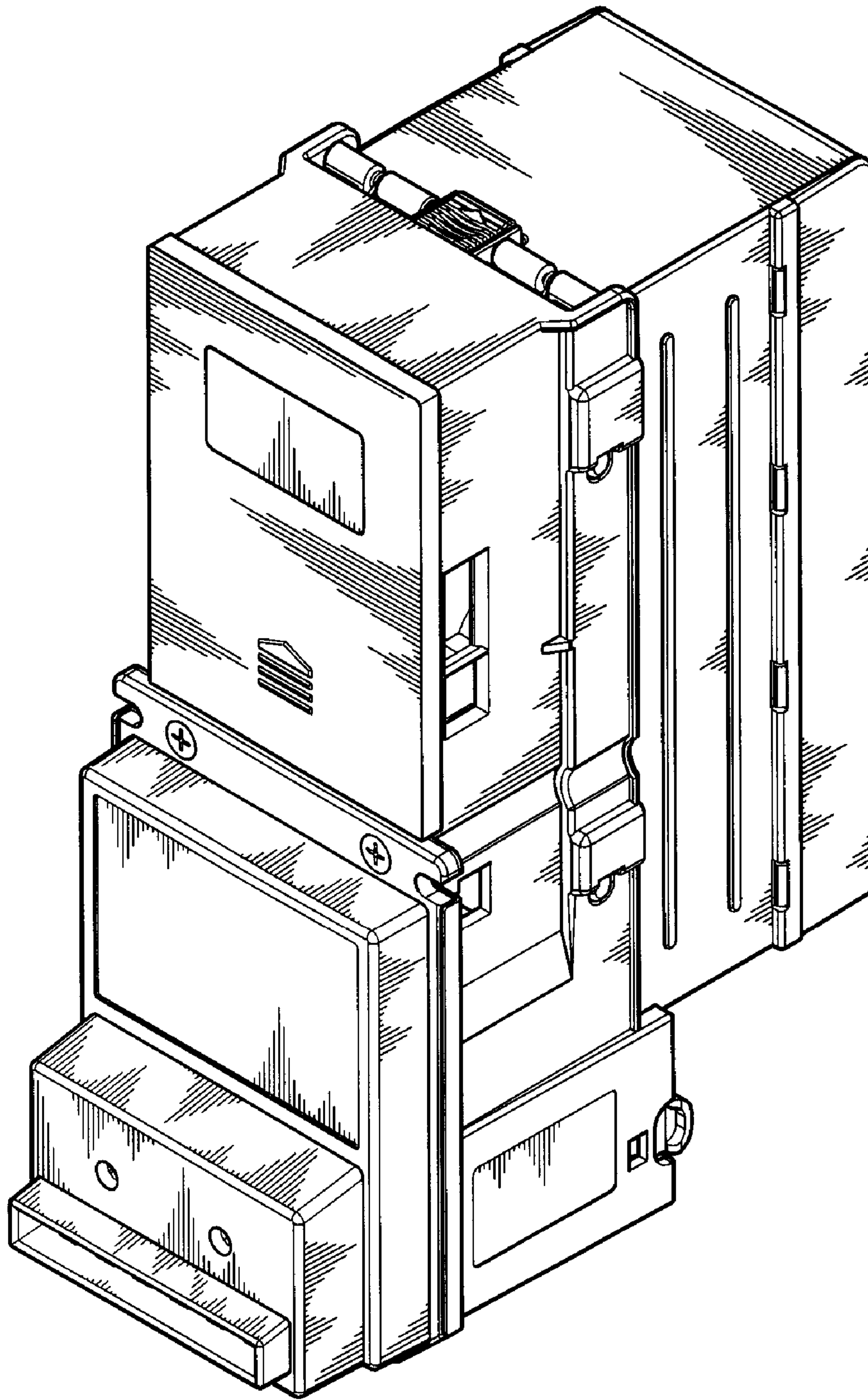


FIG. 1

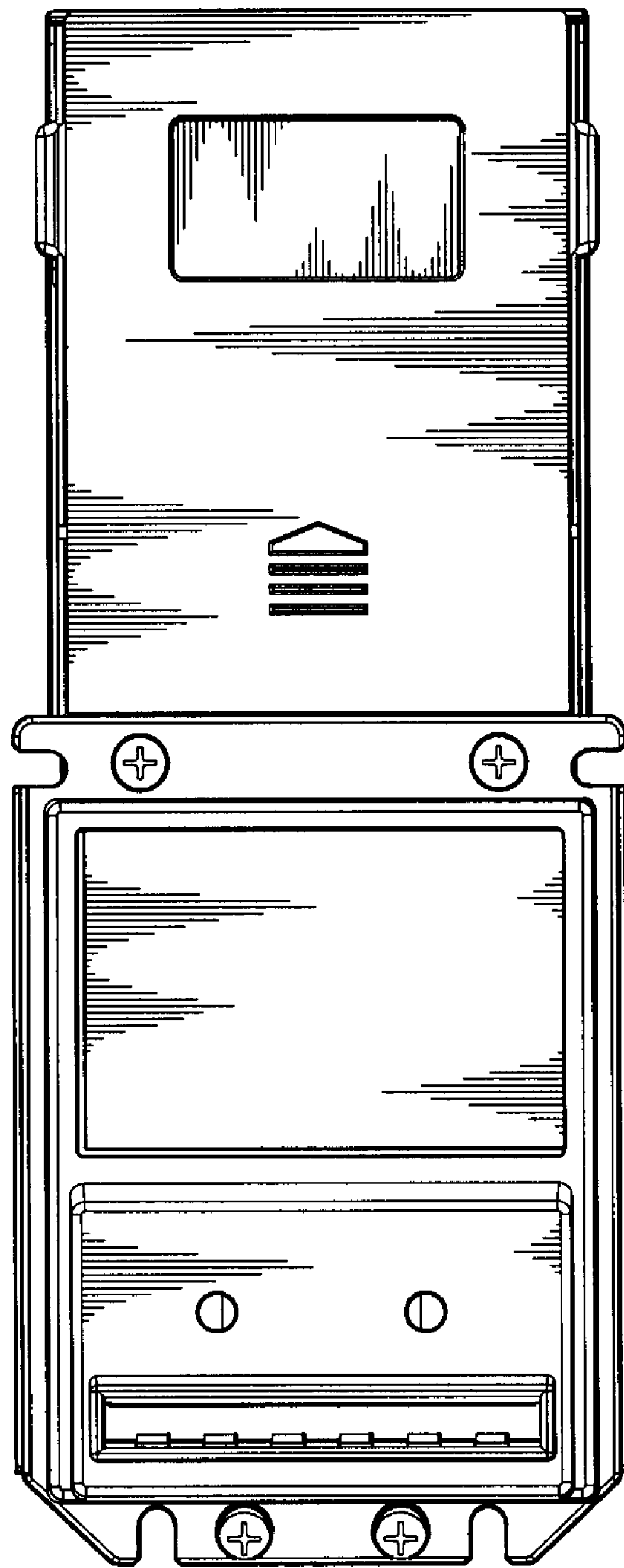


FIG. 2

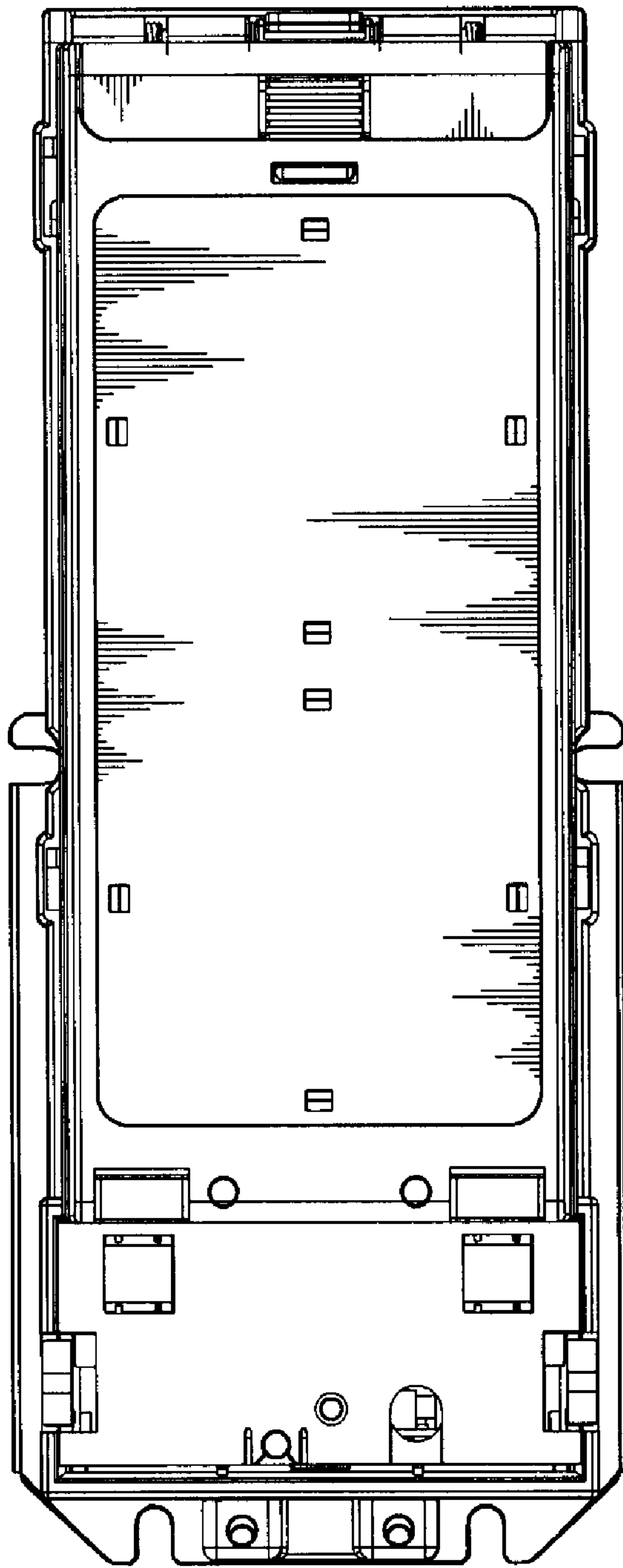


FIG. 3

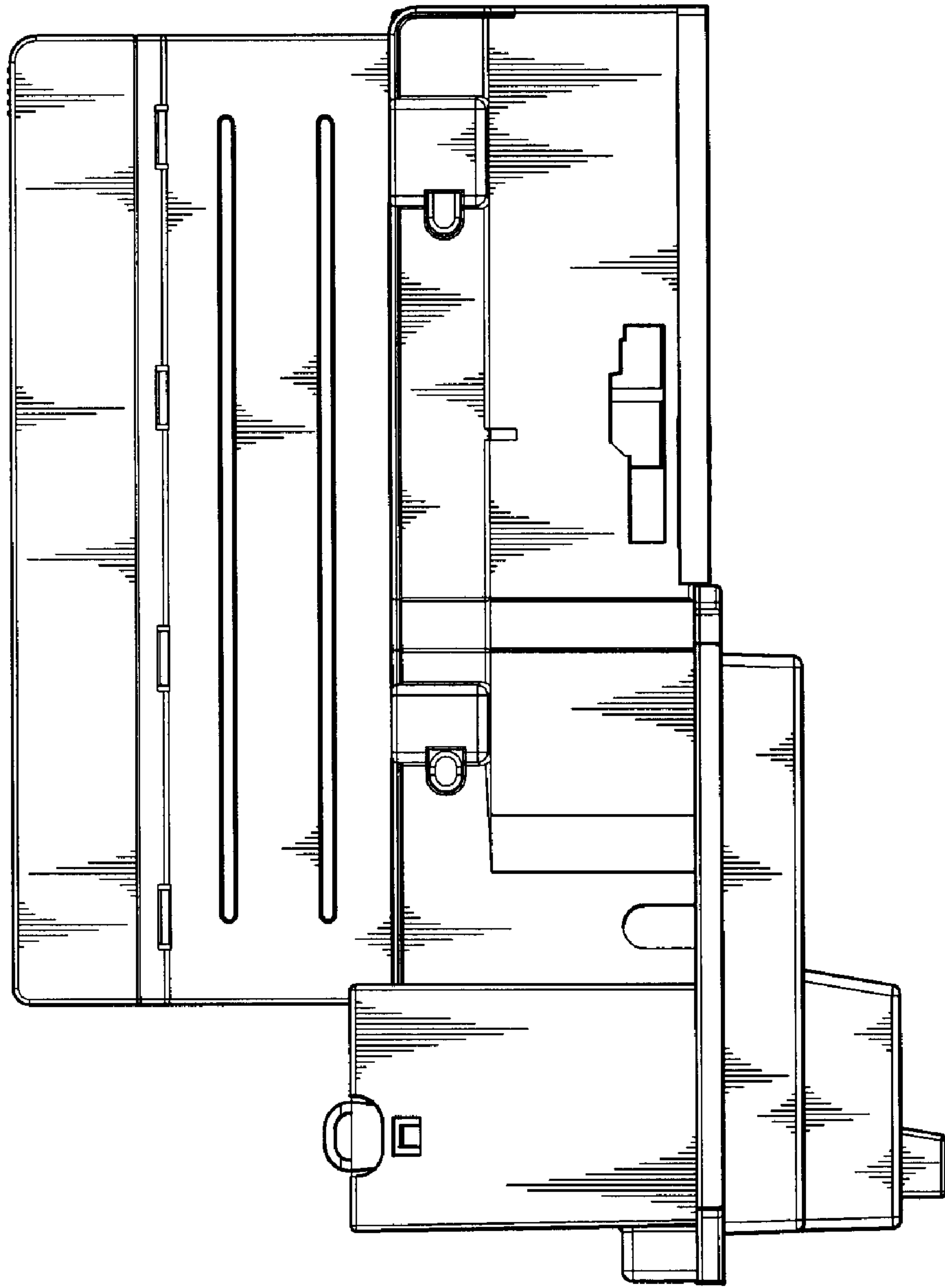


FIG. 4

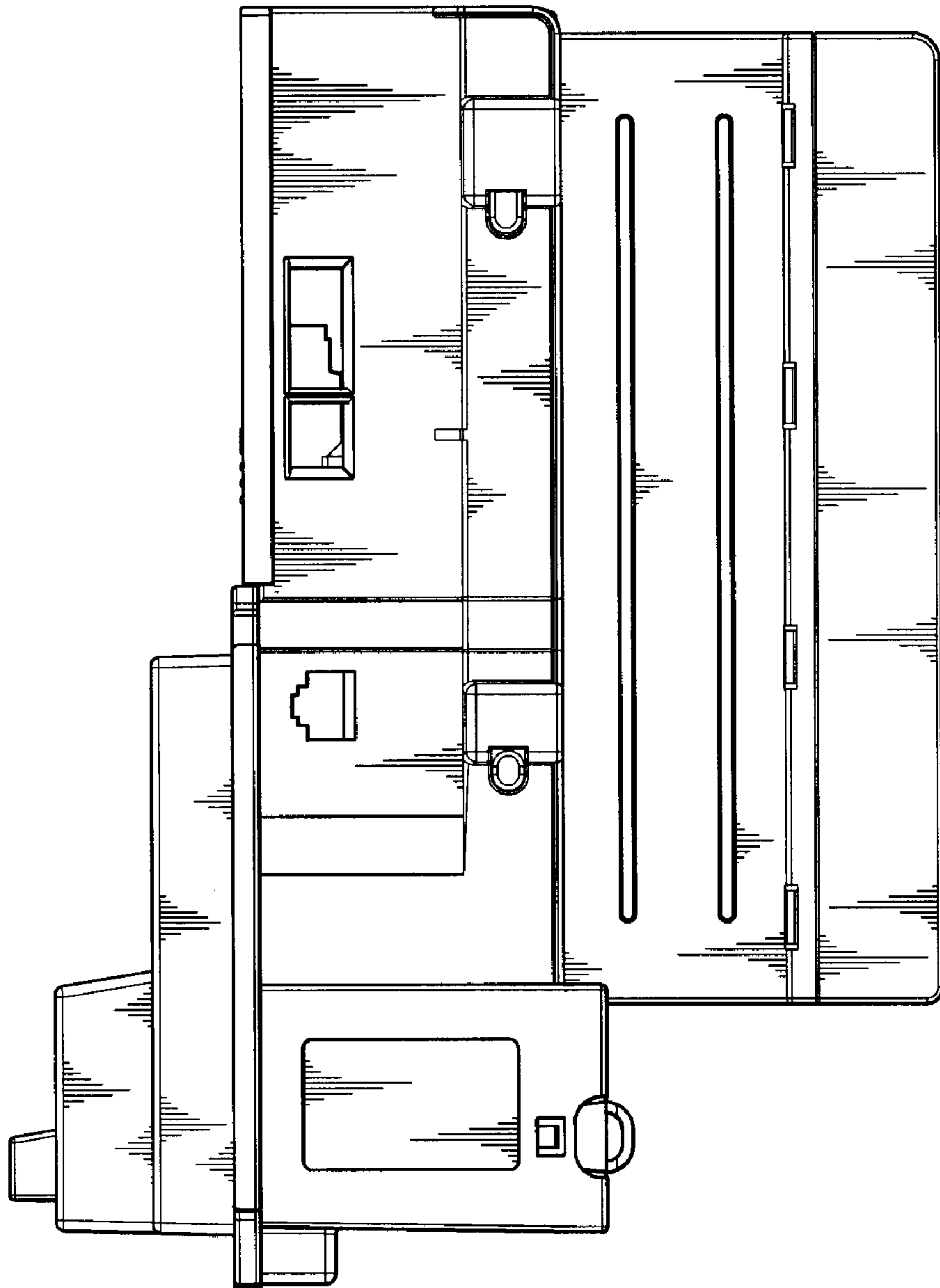


FIG. 5

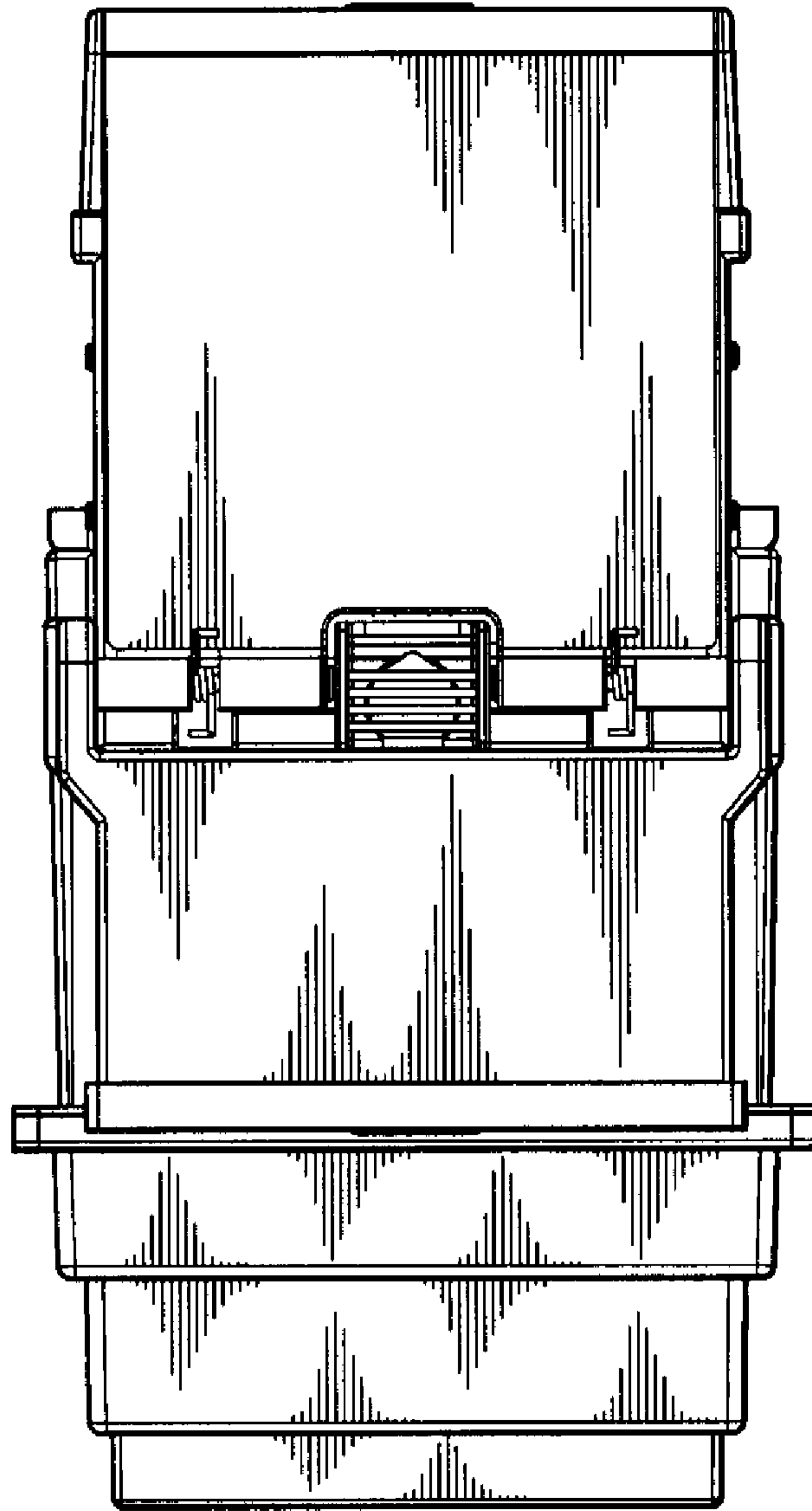


FIG. 6

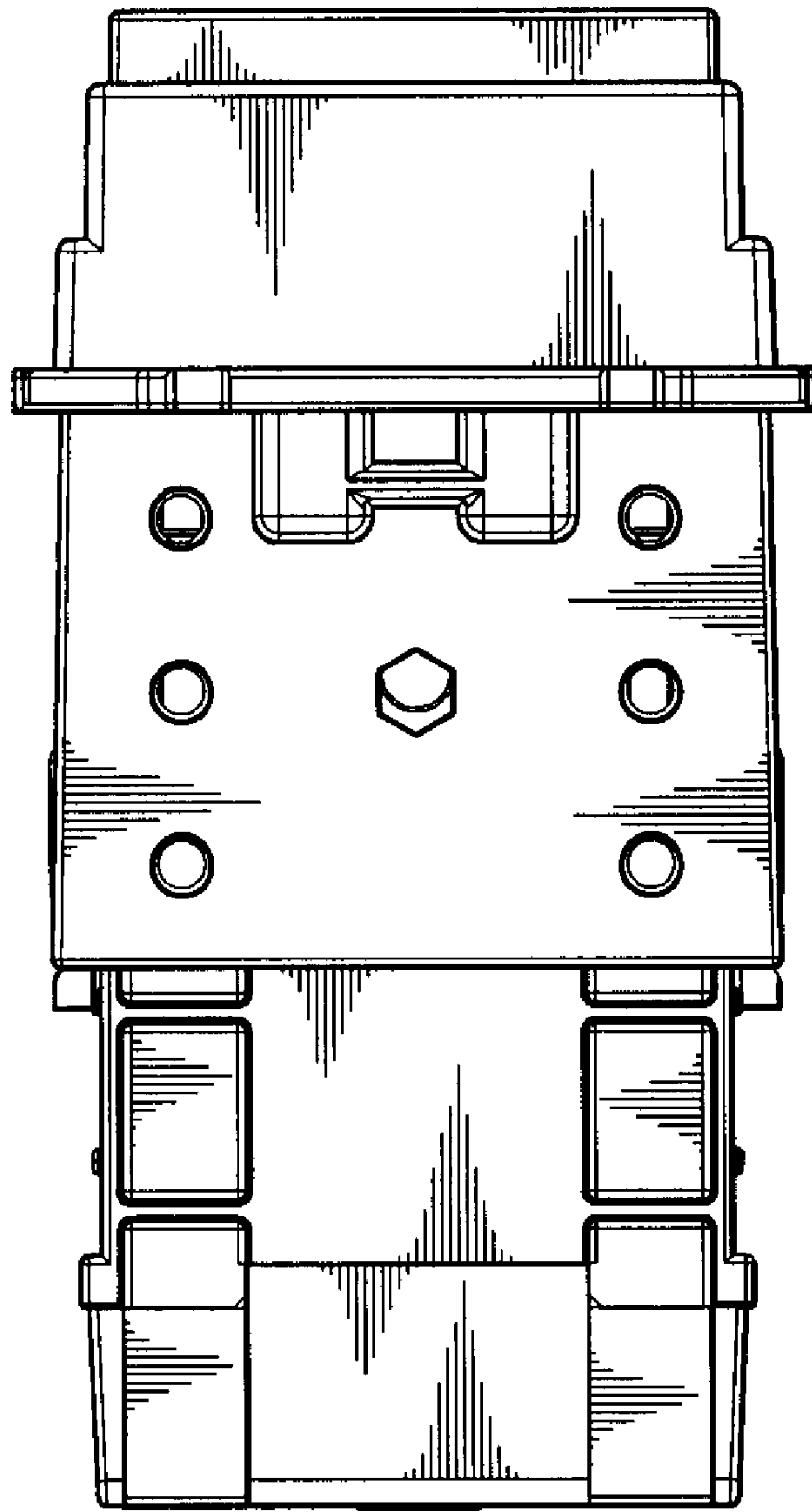


FIG. 7