



US00D476687S

(12) **United States Design Patent**
Katami

(10) **Patent No.:** **US D476,687 S**

(45) **Date of Patent:** **** Jul. 1, 2003**

(54) **CARTRIDGE FOR A TAPE DISPENSER**

(75) **Inventor:** **Kazunori Katami, Saitama-ken (JP)**

(73) **Assignee:** **Tombow Pencil Co., Ltd., Tokyo (JP)**

(**) **Term:** **14 Years**

5,759,270 A	*	6/1998	Lee	242/538.1 X
5,759,341 A	*	6/1998	Kobayashi	156/540
5,795,085 A	*	8/1998	Yoo	156/577 X
D418,165 S	*	12/1999	Katami	D19/69
D421,059 S	*	2/2000	Shimizu	D19/69
D424,116 S	*	5/2000	You	D19/69
D466,157 S	*	11/2002	Van Zuthem-Maasdam	D19/66
			et al.	D19/66

(21) **Appl. No.:** **29/162,704**

(22) **Filed:** **Jun. 20, 2002**

(30) **Foreign Application Priority Data**

Dec. 20, 2001 (JP) 2001-037396

(51) **LOC (7) Cl.** **19-02**

(52) **U.S. Cl.** **D19/69; D19/67**

(58) **Field of Search** D19/53, 65, 66,
D19/67-69, 72, 89, 99, 100; 225/6, 7, 11,
12, 19, 22, 25, 34, 35, 46, 56, 57, 77, 89;
242/588, 538, 538.1, 588.1-588.6, 590;
156/510, 327, 523, 540, 527, 577, 579;
15/104.93, 104.94

(56) **References Cited**

U.S. PATENT DOCUMENTS

D368,115 S	*	3/1996	Kouda	D19/69
5,555,469 A	*	9/1996	Koyama et al.	156/579 X
5,595,626 A	*	1/1997	Yokouchi et al.	156/577
5,670,014 A	*	9/1997	Mendelovich et al.	156/523

* cited by examiner

Primary Examiner—Martie K. Holtje

(74) *Attorney, Agent, or Firm*—Birch, Stewart, Kolasch & Birch, LLP

(57) **CLAIM**

The ornamental design for a cartridge for a tape dispenser, as shown and described.

DESCRIPTION

FIG. 1 is a front view of the cartridge for a tape dispenser showing my new design;
FIG. 2 is a right side view thereof;
FIG. 3 is a left side view thereof;
FIG. 4 is a rear view thereof;
FIG. 5 is a top view thereof;
FIG. 6 is a bottom view thereof; and,
FIG. 7 is a perspective view thereof.

1 Claim, 2 Drawing Sheets

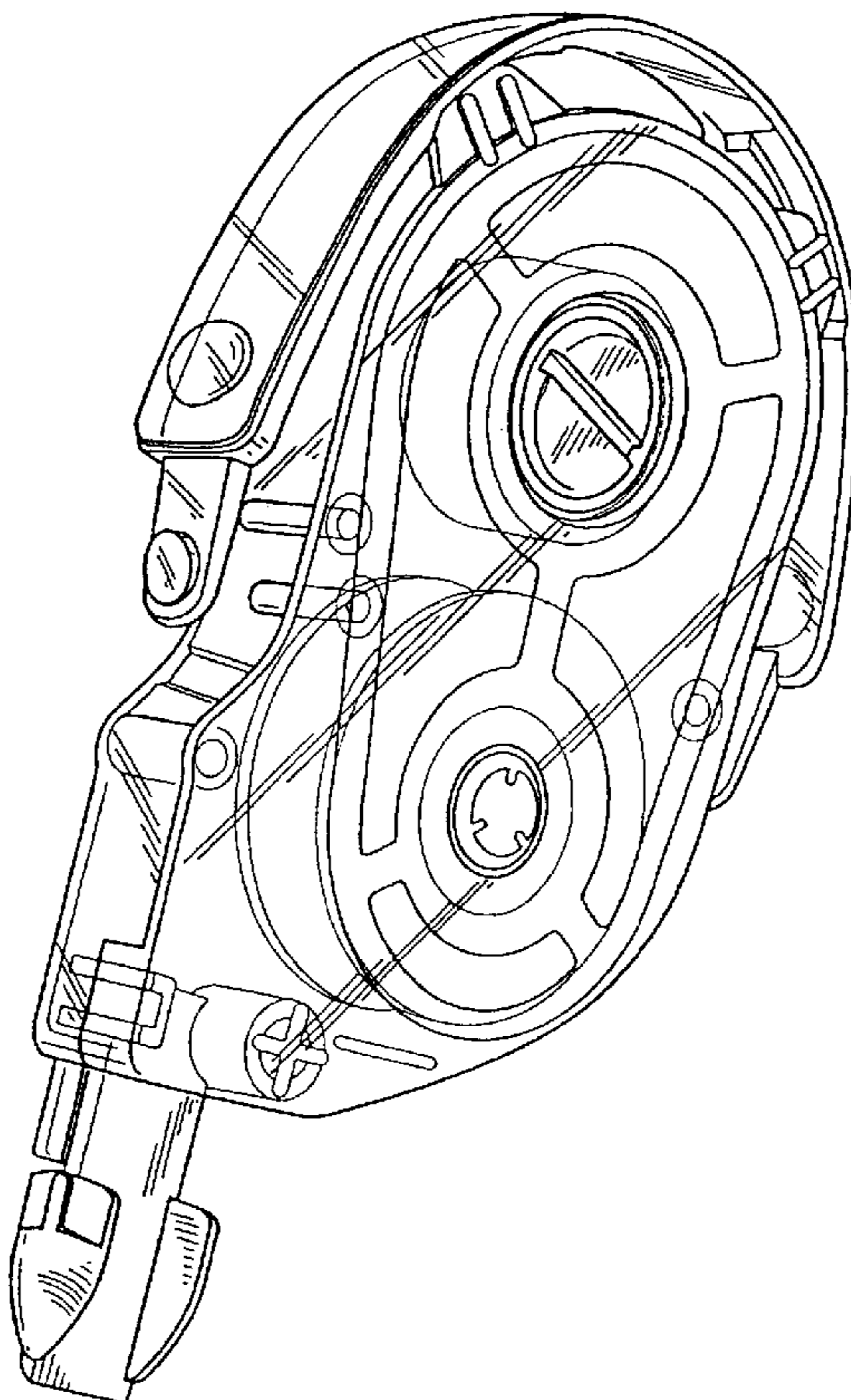


Fig. 5

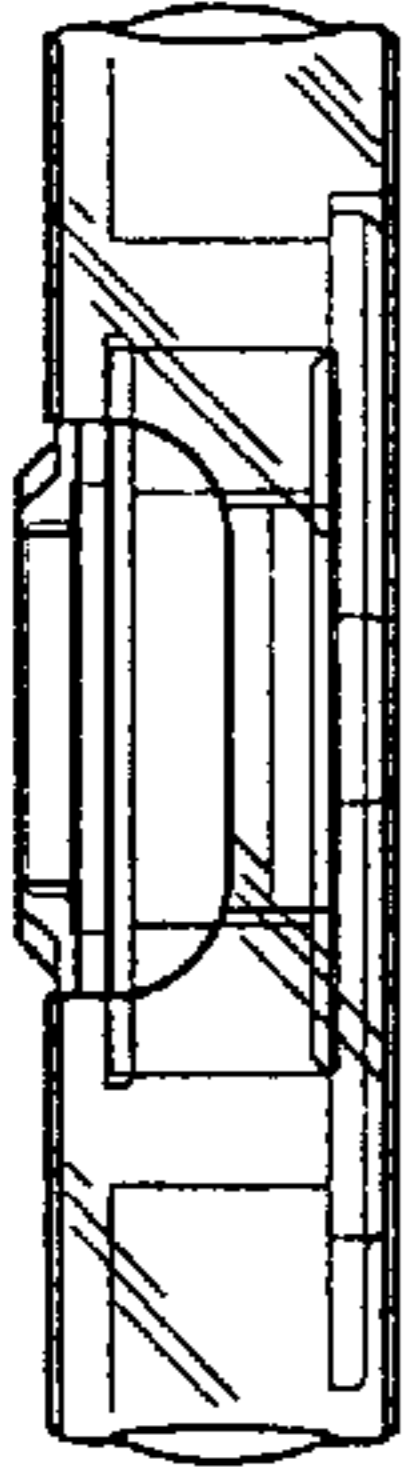


Fig. 3

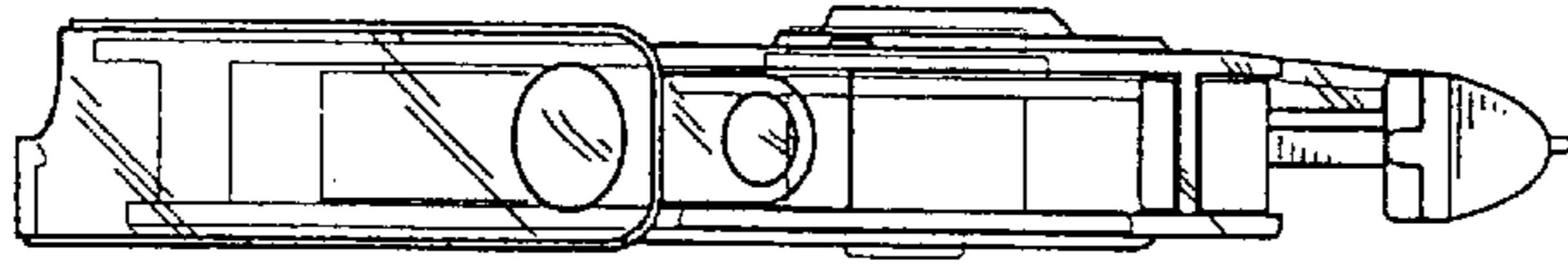


Fig. 4

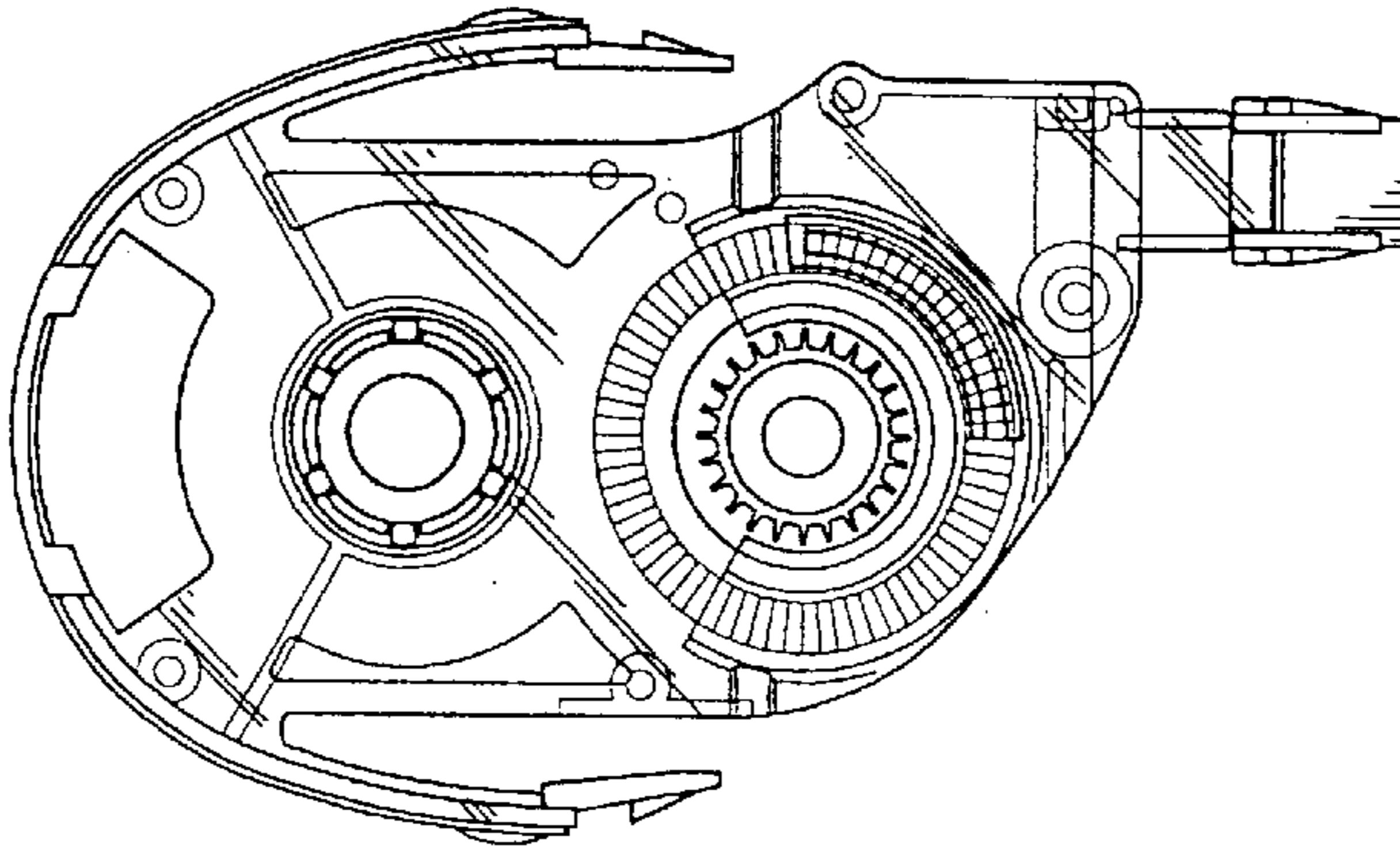


Fig. 1

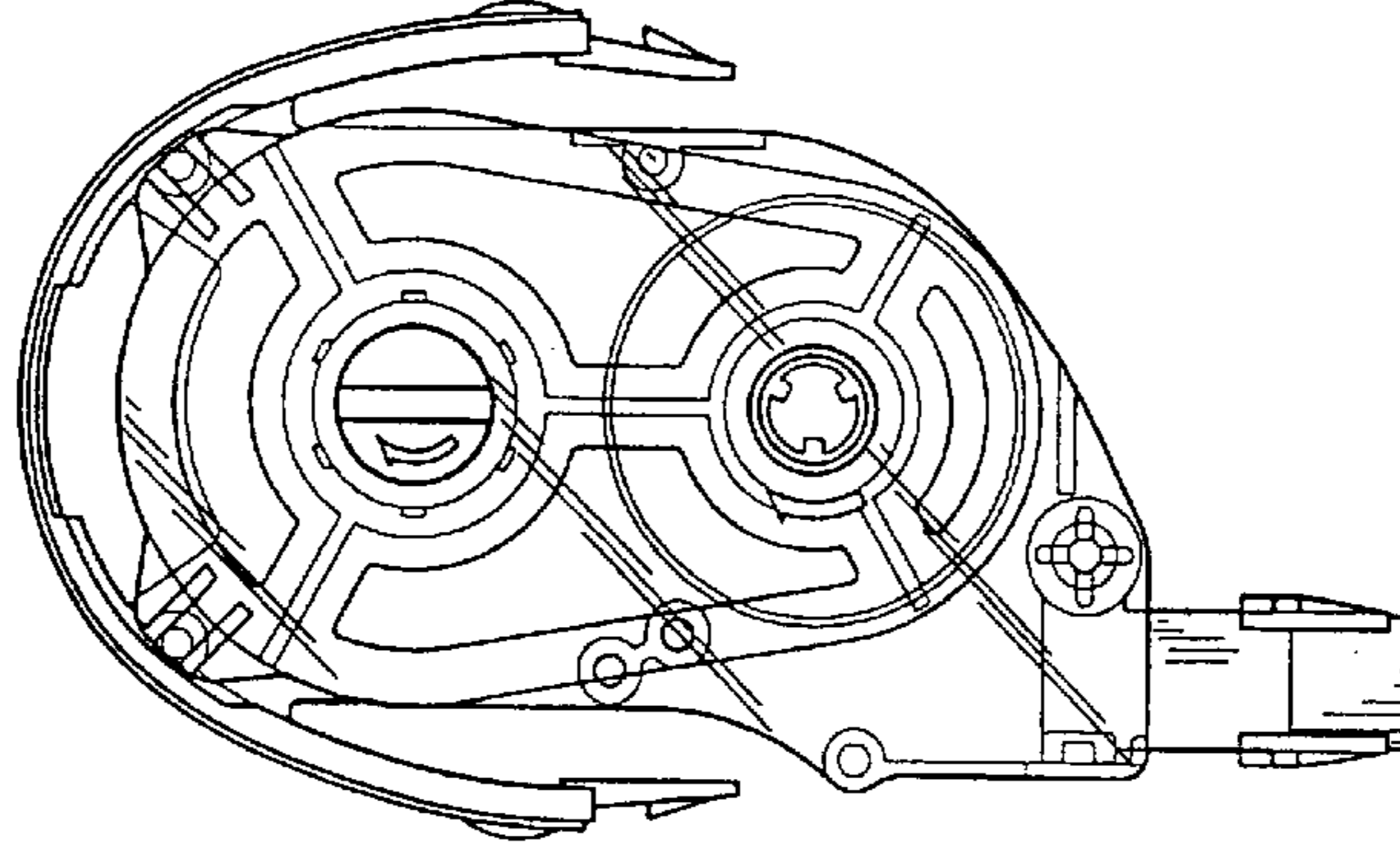


Fig. 2

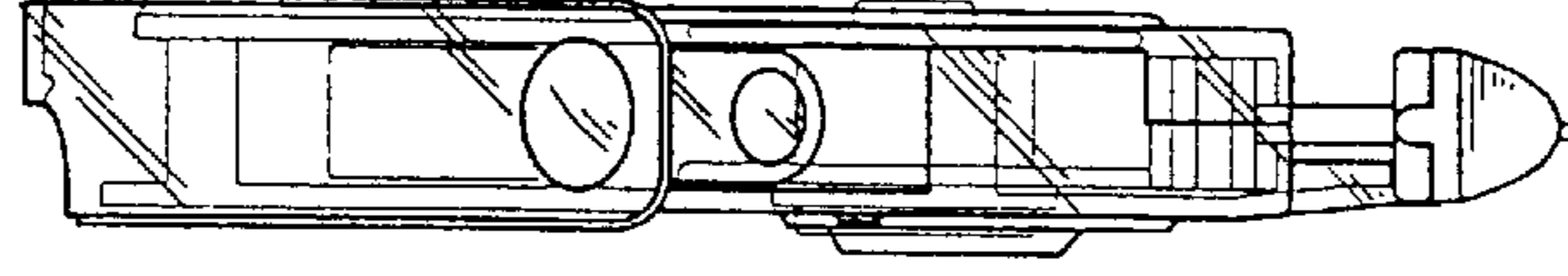


Fig. 6

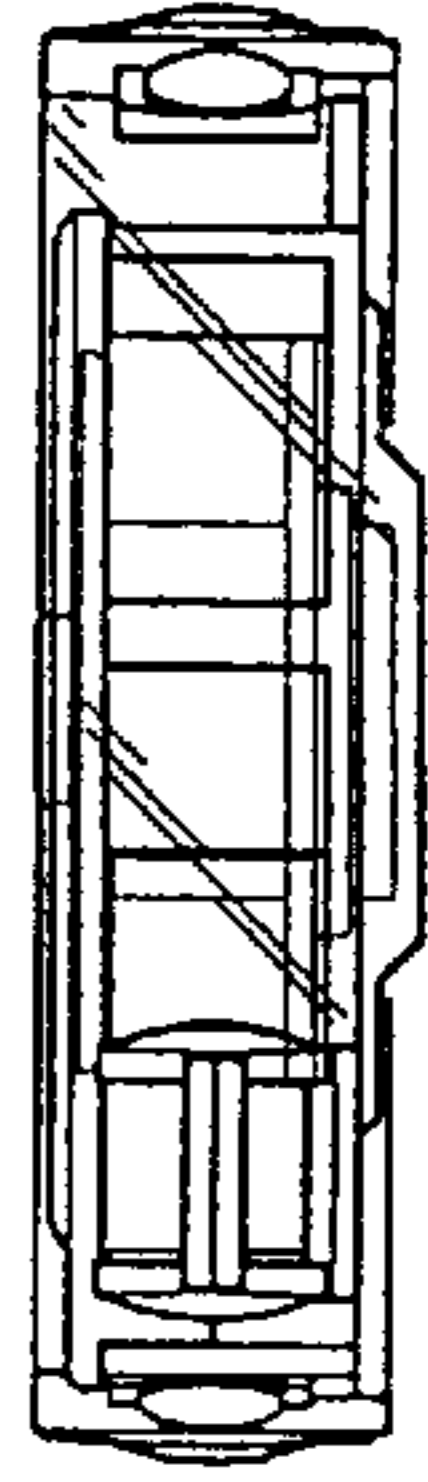


Fig. 7

