



US00D476684S

(12) **United States Design Patent**
Rommel

(10) **Patent No.:** **US D476,684 S**

(45) **Date of Patent:** **** Jul. 1, 2003**

(54) **WRITING UTENSIL WITH PUSH BUTTON COMPONENT**

D445,131 S * 7/2001 Keda D19/51

FOREIGN PATENT DOCUMENTS

(75) **Inventor:** **Volkmar Rommel,**
Schwaebisch-Gmuend (DE)

GB 43057 12/1996
RU 43057 12/1996

(73) **Assignee:** **Merz & Krell GmbH & Co KGaA**
(DE)

* cited by examiner

(**) **Term:** **14 Years**

Primary Examiner—Martie K. Holtje
(74) *Attorney, Agent, or Firm*—Hunton & Williams

(21) **Appl. No.:** **29/133,772**

(22) **Filed:** **Dec. 5, 2000**

(57) **CLAIM**

The ornamental design for a writing utensil with push button component, as shown and described.

(30) **Foreign Application Priority Data**

DESCRIPTION

Jun. 5, 2000 (DE) 4 00 05 315
Jul. 14, 2000 (DE) 4 00 06 630

FIG. 1. A front perspective view of the writing utensil with push button component showing my new design;
FIG. 2. is a rear perspective view thereof;
FIG. 3. is a side elevational view thereof;
FIG. 4. is a rear elevational view thereof;
FIG. 5. is a front elevational view thereof;
FIG. 6. is a side elevational view thereof;
FIG. 7. is a top plan view thereof;
FIG. 8. is a bottom plan view thereof;
FIG. 9. is a perspective view of the push button component thereof;
FIG. 10. is a cross-sectional view of the push button component thereof;
FIG. 11 is a front elevational view of a second embodiment of my design of FIG. 1; and,
FIG. 12 is a rear elevational view of FIG. 11.

(51) **LOC (7) Cl.** **19-06**

(52) **U.S. Cl.** **D19/46; D19/49; D19/56**

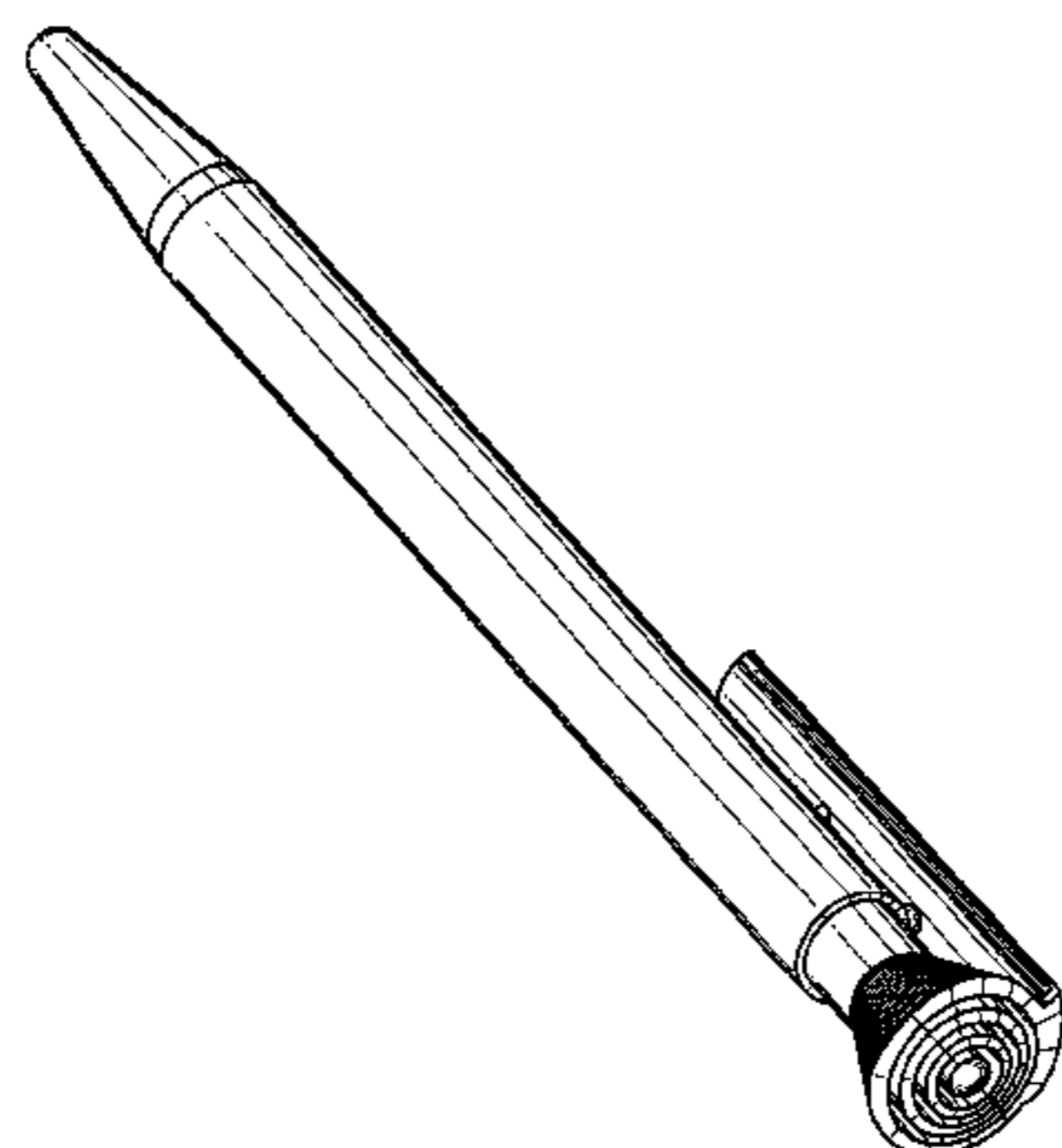
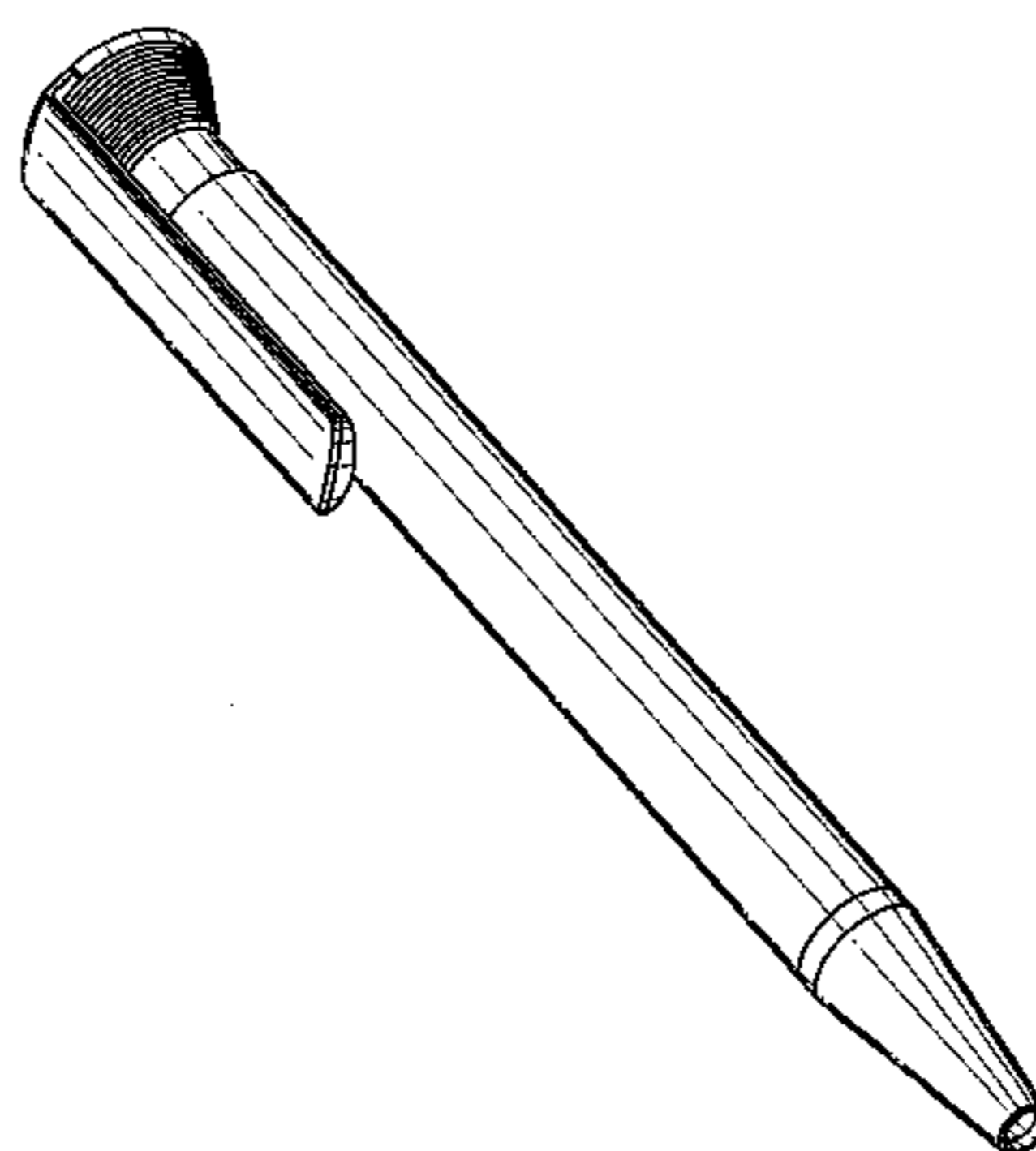
(58) **Field of Search** D19/35, 36, 41-49,
D19/50, 51, 53-58, 81-85; 401/99, 100,
103-106, 110-117, 209; 24/11 F

(56) **References Cited**

U.S. PATENT DOCUMENTS

1,125,144 A * 1/1915 Mabie 24/11 F
D59,035 S * 9/1921 Sheaffer D19/46
D70,575 S * 7/1926 Parker D19/46
D106,789 S * 11/1937 Gade D19/46
D229,109 S * 11/1973 Lanoie D19/48
D313,246 S * 12/1990 Porsche D19/51
D377,664 S * 1/1997 Izushima D19/51
D432,167 S * 10/2000 Chodat D19/47

1 Claim, 7 Drawing Sheets



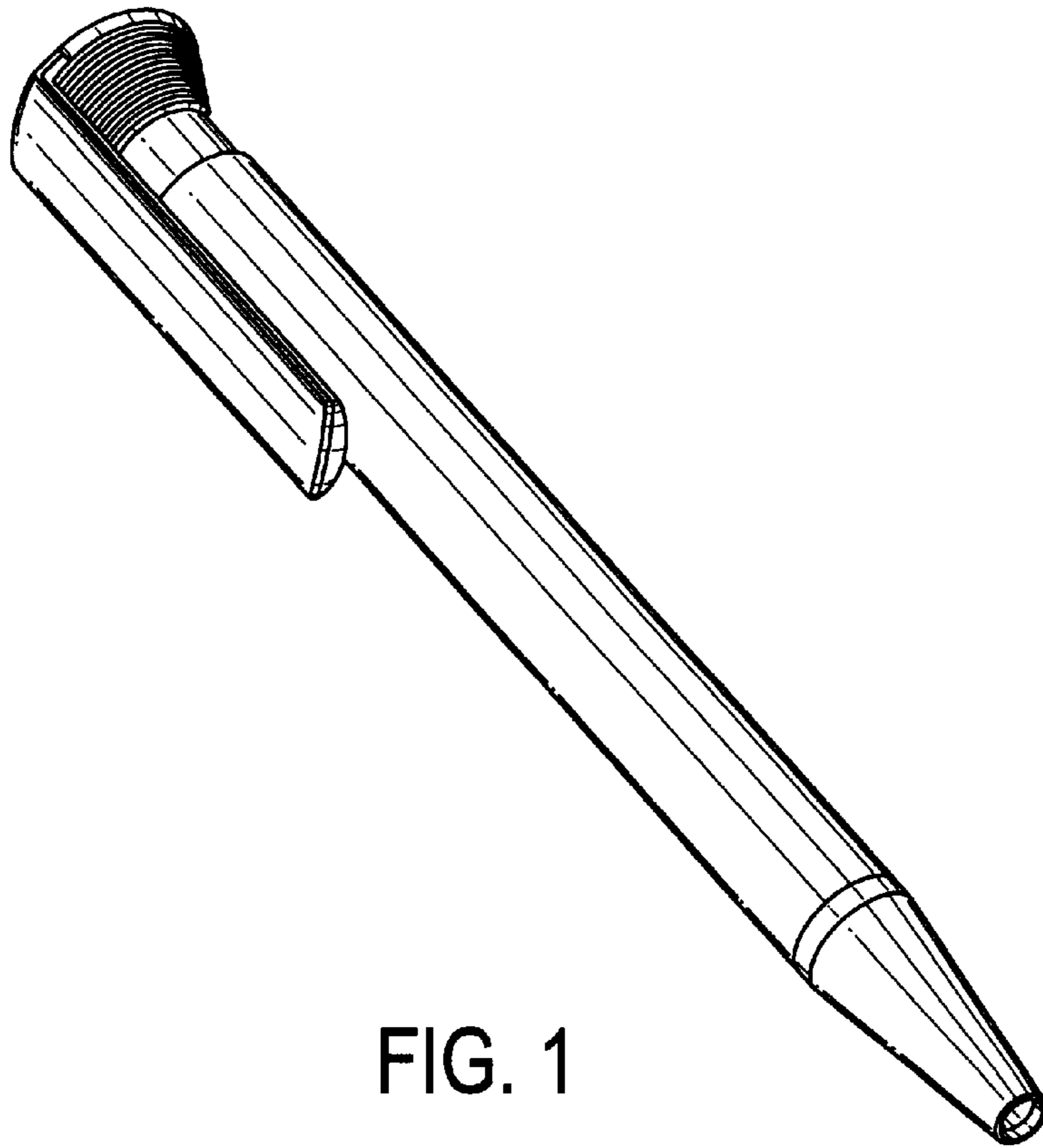


FIG. 1

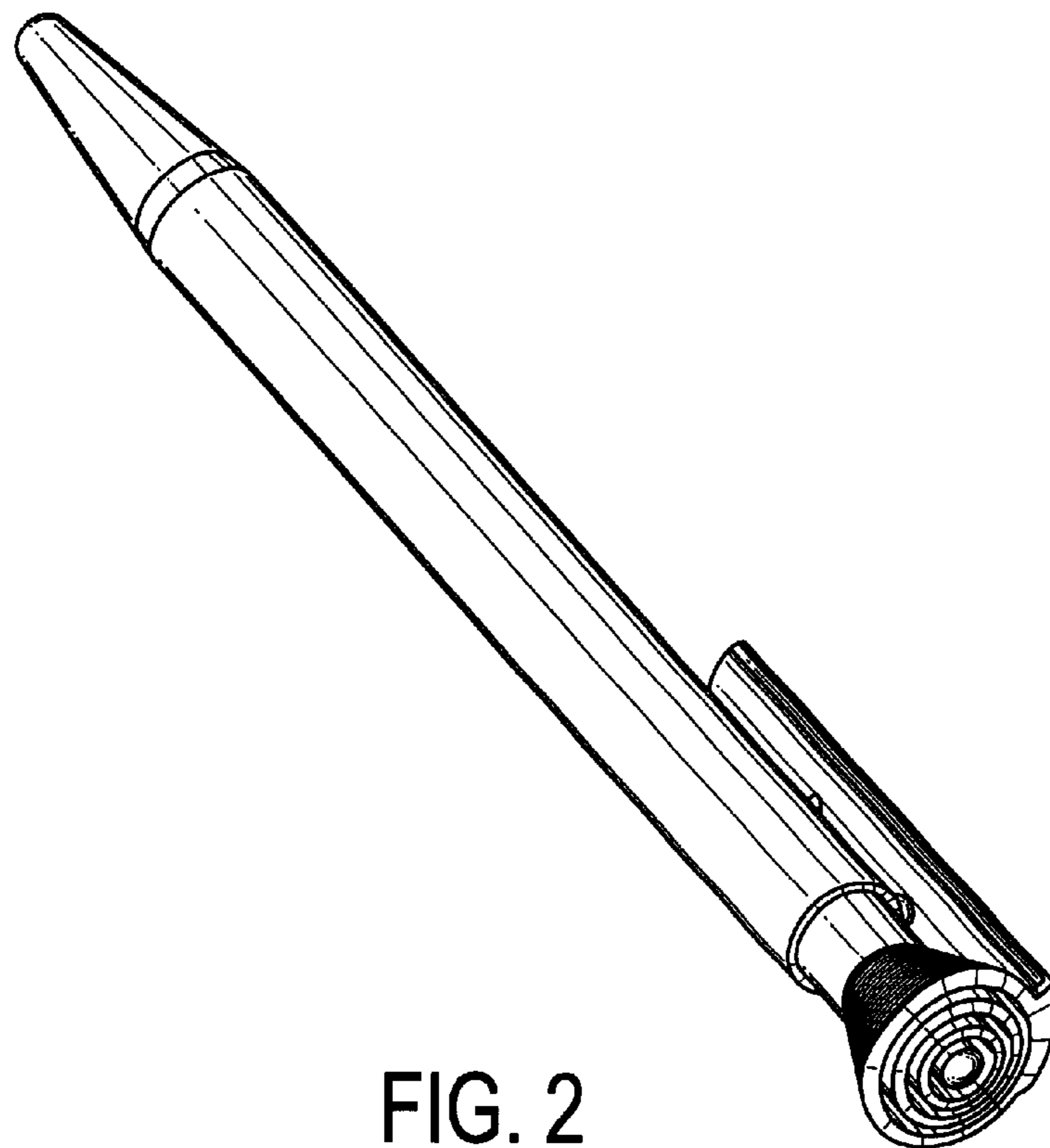


FIG. 2

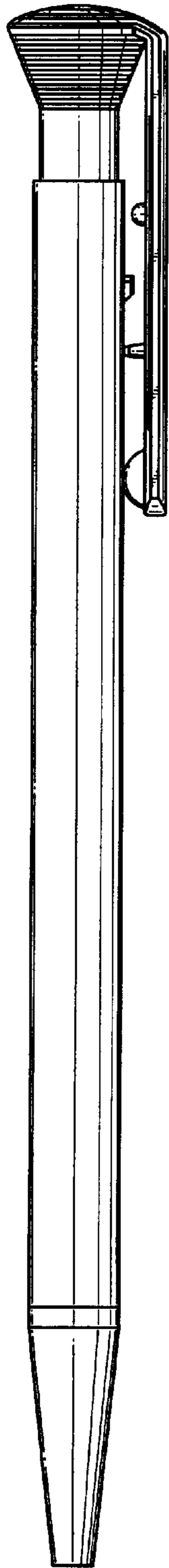


FIG. 3

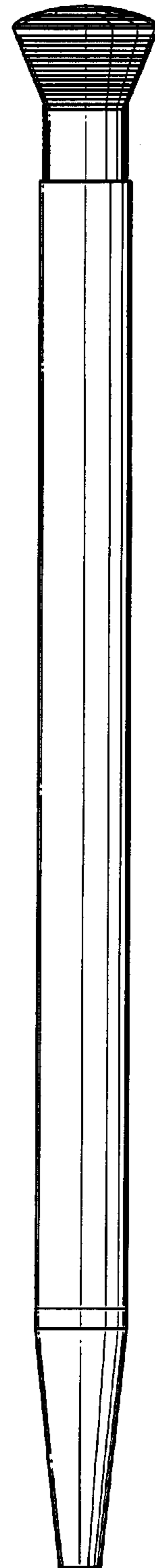


FIG. 4

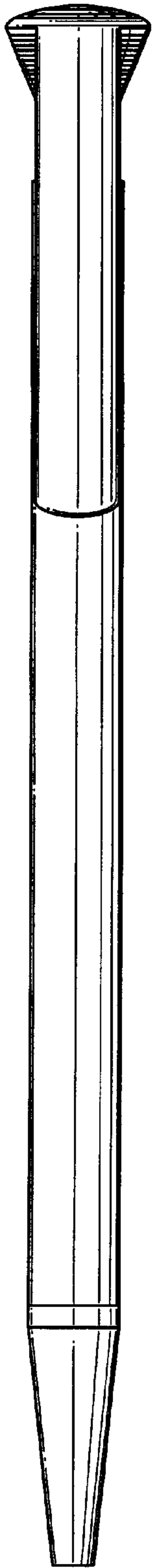


FIG. 5

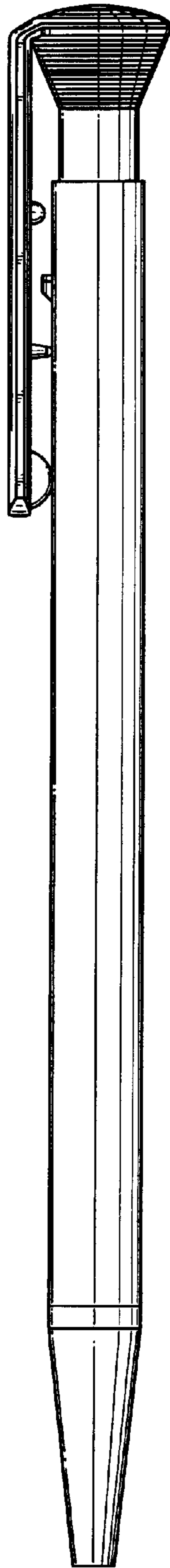


FIG. 6

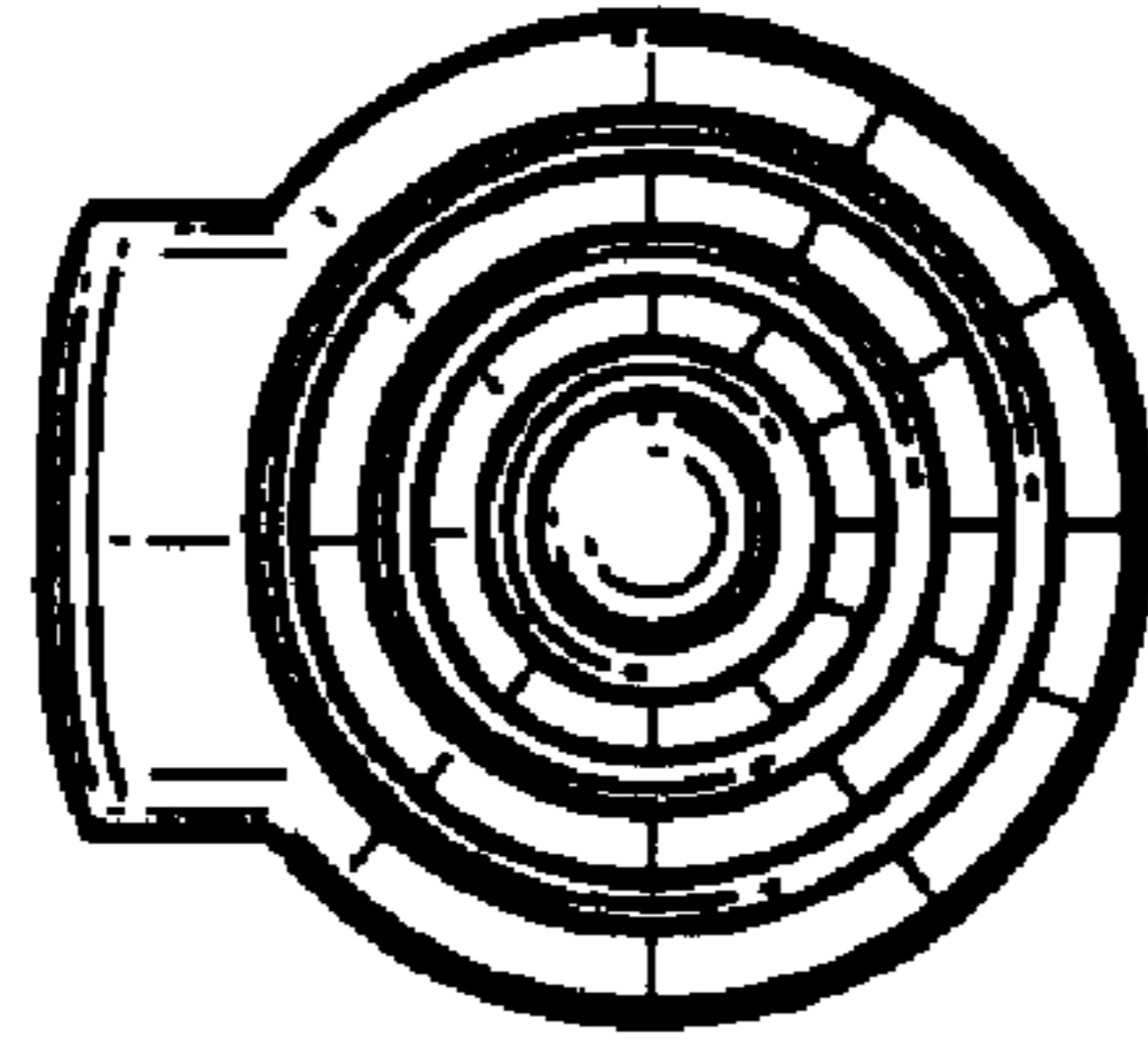


FIG. 7

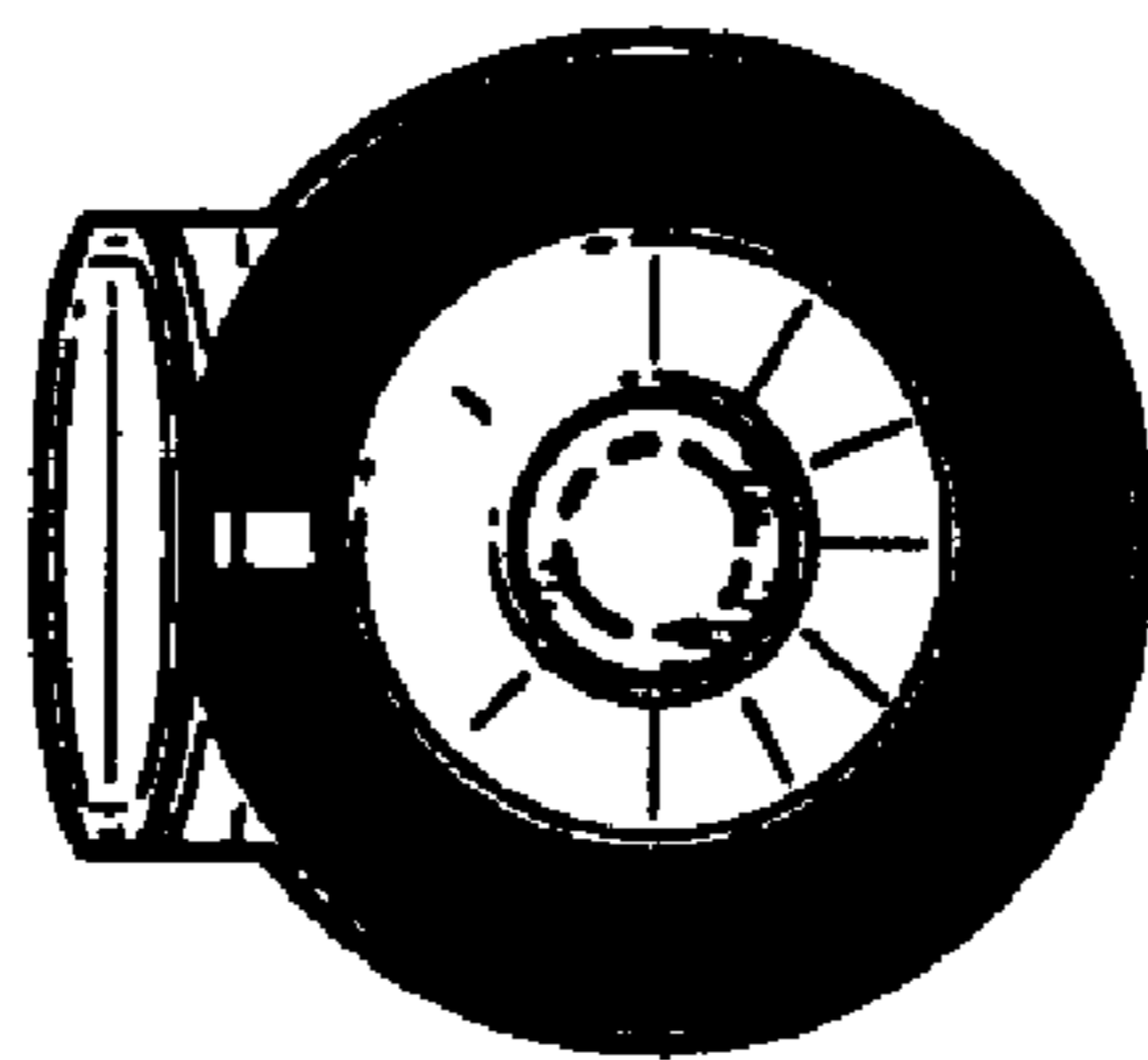


FIG. 8

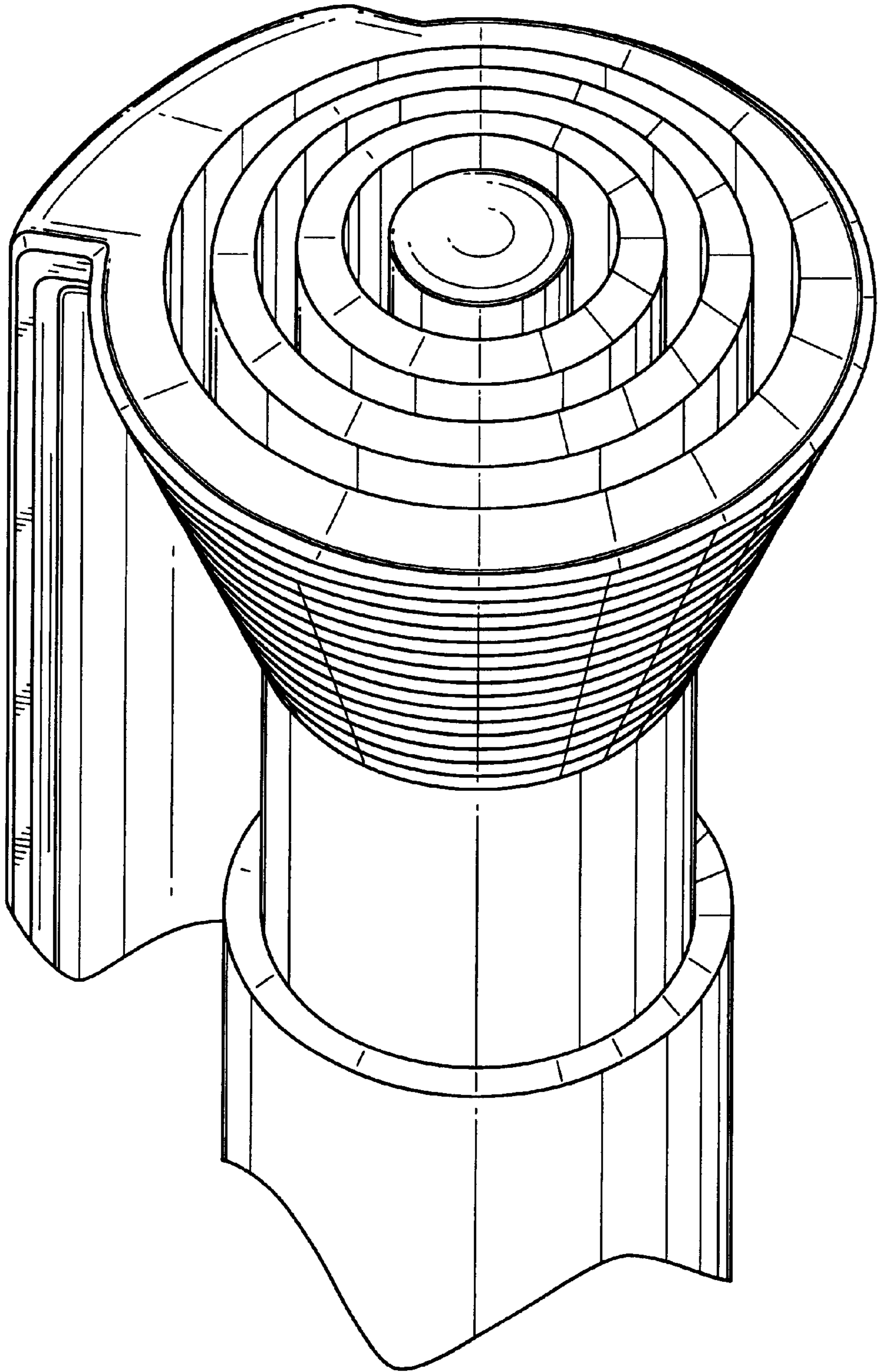


FIG. 9

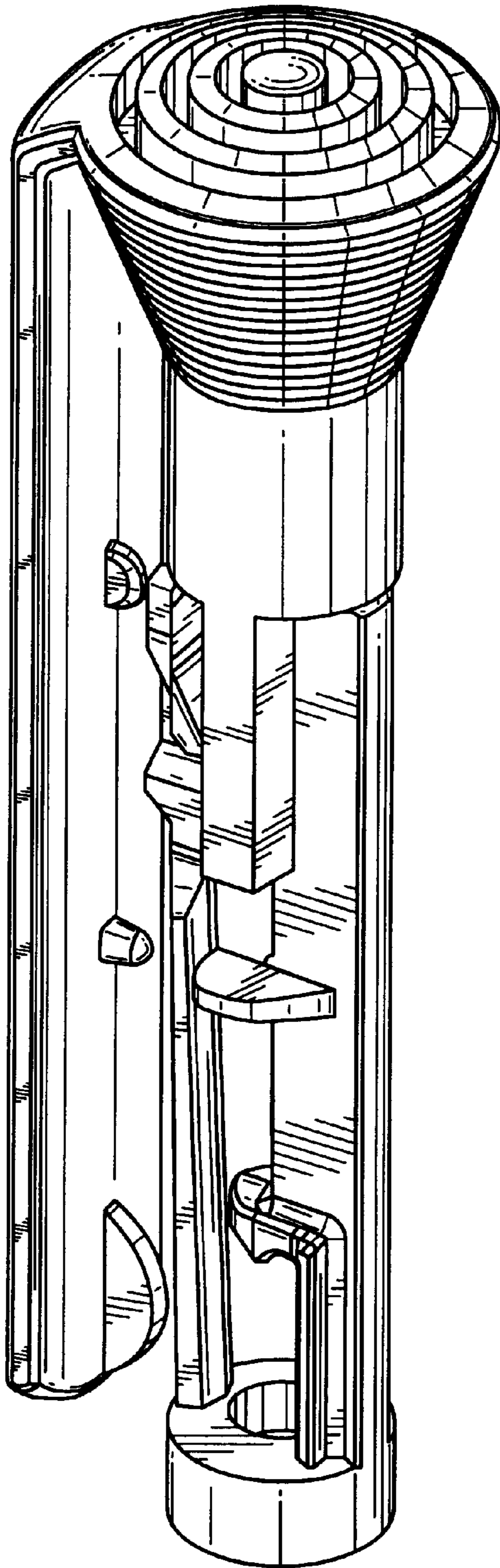


FIG. 10

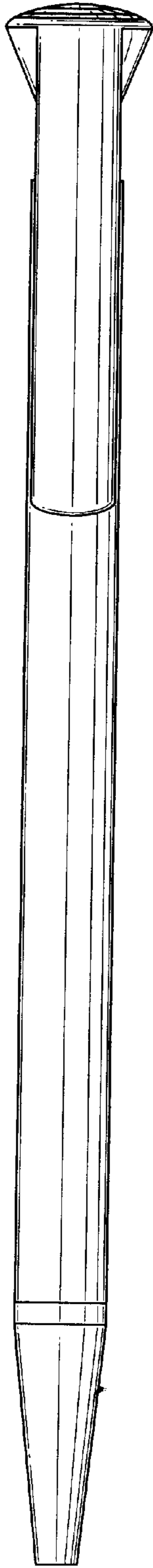


FIG. 11

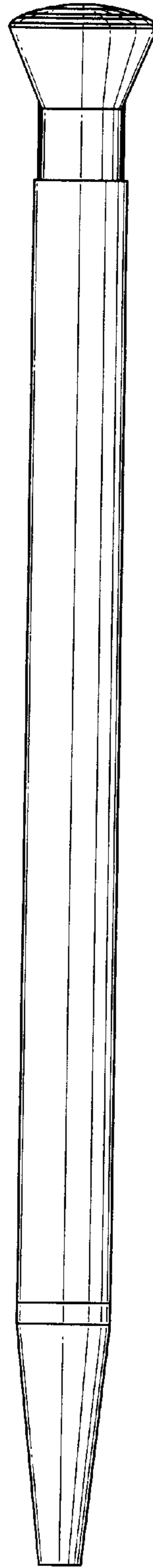


FIG. 12