



US00D476681S

(12) **United States Design Patent**
Al Amri

(10) **Patent No.: US D476,681 S**

(45) **Date of Patent: ** Jul. 1, 2003**

(54) **BANK CHECK**

(76) Inventor: **Moosa Easa Moosa Al Amri**, Al Reem Tower, Maktoum Street, P.O. Box 14427, Dubai (AE)

(**) Term: **14 Years**

(21) Appl. No.: **29/160,523**

(22) Filed: **May 13, 2002**

(30) **Foreign Application Priority Data**

Nov. 13, 2001 (EG) 26449
Nov. 13, 2001 (EG) 26452

(51) **LOC (7) Cl. 19-08**

(52) **U.S. Cl. D19/11**

(58) **Field of Search** D14/435, 436, D14/437, 438; D19/1, 9, 10, 11; 40/124.09, 299.01; 283/57, 58, 59, 61, 62, 66.1, 66.2, 72, 74, 75, 98, 99, 106, 108, 117, 901

(56) **References Cited**

U.S. PATENT DOCUMENTS

805,767 A * 11/1905 Williams 283/901
4,201,402 A * 5/1980 Aziz et al. 283/72
5,570,081 A * 10/1996 Holstrom 340/573.3
5,700,037 A * 12/1997 Keller 283/108
5,921,584 A * 7/1999 Goade, Sr. 283/61
D425,934 S * 5/2000 Kunkler D19/11

* cited by examiner

Primary Examiner—Doris V. Coles

Assistant Examiner—Elizabeth A. Albert

(74) *Attorney, Agent, or Firm*—Sturm & Fix LLP

(57) **CLAIM**

The ornamental design for a bank check, as shown and described.

DESCRIPTION

FIG. 1 is a perspective view of one embodiment of the bank check showing my new design;

FIG. 2 is a top edge elevational view thereof with the card portion disposed parallel to the paper portion;

FIG. 3 is a top edge elevational view similar to FIG. 2 but showing the card portion inclined with respect to the paper portion;

FIG. 4 is a top edge elevational view similar to FIG. 2 but showing the card portion at 90 degrees with respect to the paper portion;

FIG. 5 is a top plan view of the bank check in the orientation of FIG. 2;

FIG. 6 is a bottom plan view thereof;

FIG. 7 is a left edge elevational view thereof;

FIG. 8 is a right edge elevational view thereof;

FIG. 9 is a perspective view of a second embodiment of the bank check showing my new design;

FIG. 10 is a top edge elevational view thereof with the card portion disposed parallel to the paper portion;

FIG. 11 is a top edge elevational view similar to FIG. 10 but showing the card portion inclined with respect to the paper portion;

FIG. 12 is a top edge elevational view similar to FIG. 10 but showing the card portion at 90 degrees with respect to the paper portion;

FIG. 13 is a top plan view of the bank check in the orientation of FIG. 10;

FIG. 14 is a bottom plan view thereof;

FIG. 15 is a left edge elevational view thereof;

FIG. 16 is a right edge elevational view thereof;

FIG. 17 is a perspective view of a third embodiment of the bank check showing my new design;

FIG. 18 is a top edge elevational view thereof with the card portion disposed parallel to the paper portion;

FIG. 19 is a top edge elevational view similar to FIG. 18 but showing the card portion inclined with respect to the paper portion;

FIG. 20 is a top edge elevational view similar to FIG. 18 but showing the card portion at 90 degrees with respect to the paper portion;

FIG. 21 is a top plan view of the bank check in the orientation of FIG. 18;

FIG. 22 is a bottom plan view thereof;

FIG. 23 is a left edge elevational view thereof;

FIG. 24 is a right edge elevational view thereof;

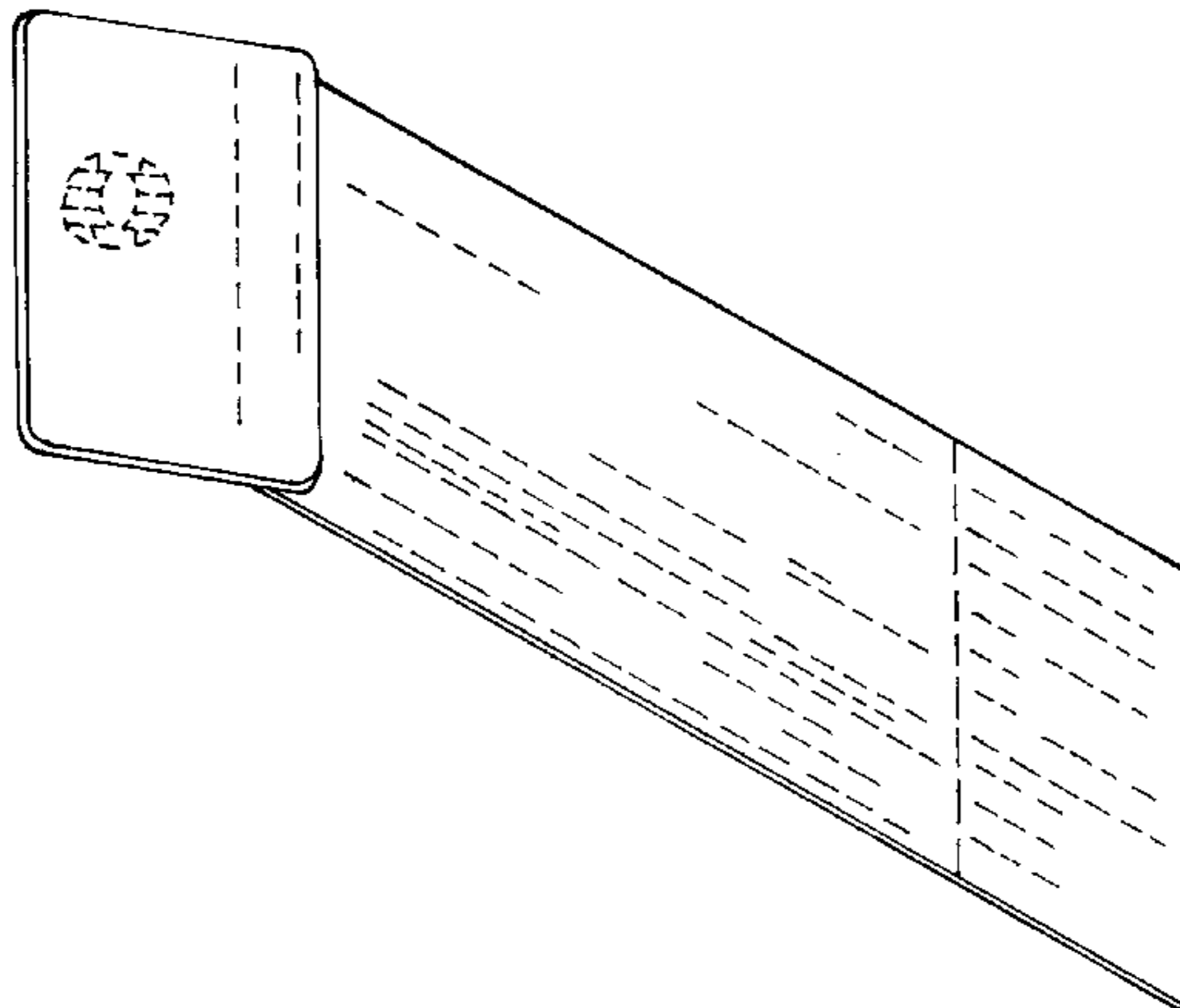


FIG. 25 is a perspective view of a fourth embodiment of the bank check showing my new design;

FIG. 26 is a top edge elevational view thereof with the card portion disposed parallel to the paper portion;

FIG. 27 is a top edge elevational view similar to FIG. 26 but showing the card portion inclined with respect to the paper portion;

FIG. 28 is a top edge elevational view similar to FIG. 26 but showing the card portion at 90 degrees with respect to the paper portion;

FIG. 29 is a top plan view of the bank check in the orientation of FIG. 26;

FIG. 30 is a bottom plan view thereof;

FIG. 31 is a left edge elevational view thereof; and,

FIG. 32 is a right edge elevational view thereof.

The broken lines shown in the perspective views of FIGS. 1, 9, 17 and 25 are for illustrative purposes only to show possible printed matter, perforations, a storage chip and/or a magnetic strip, and form no part of the claimed design.

1 Claim, 8 Drawing Sheets

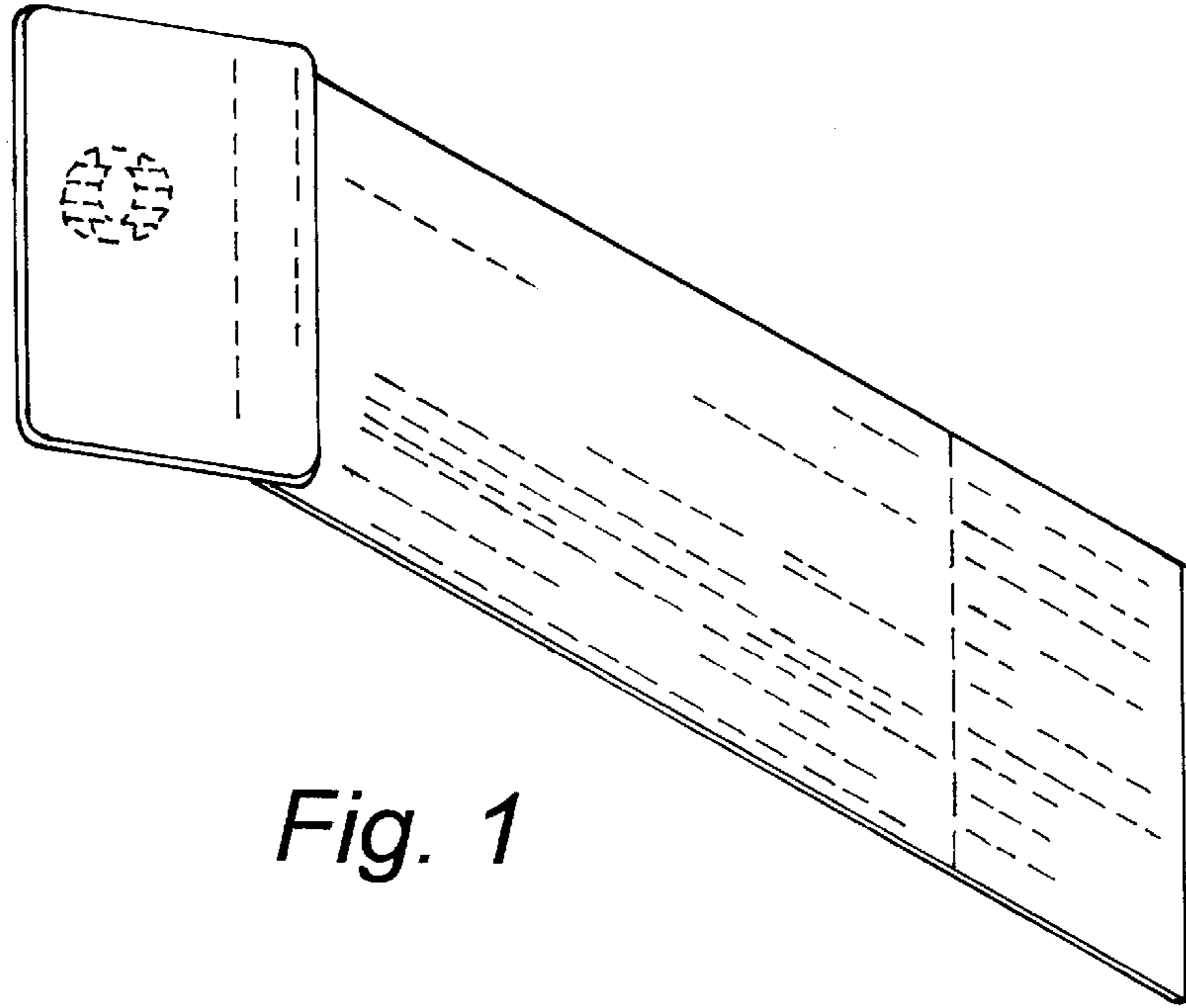


Fig. 1



Fig. 2

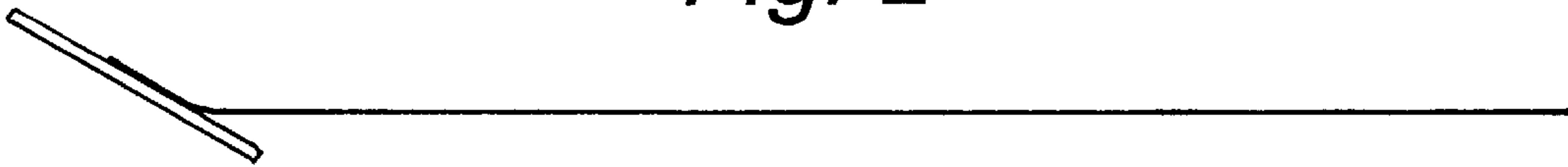


Fig. 3

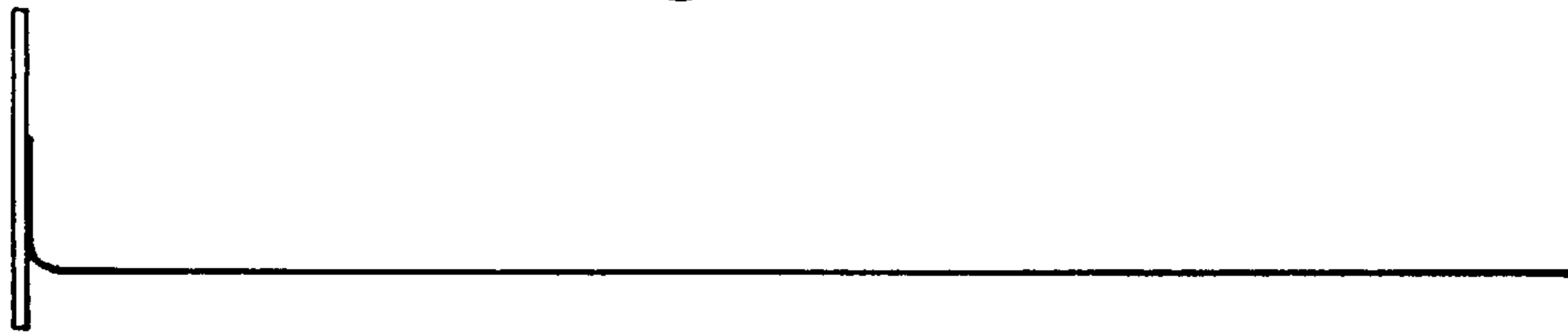


Fig. 4

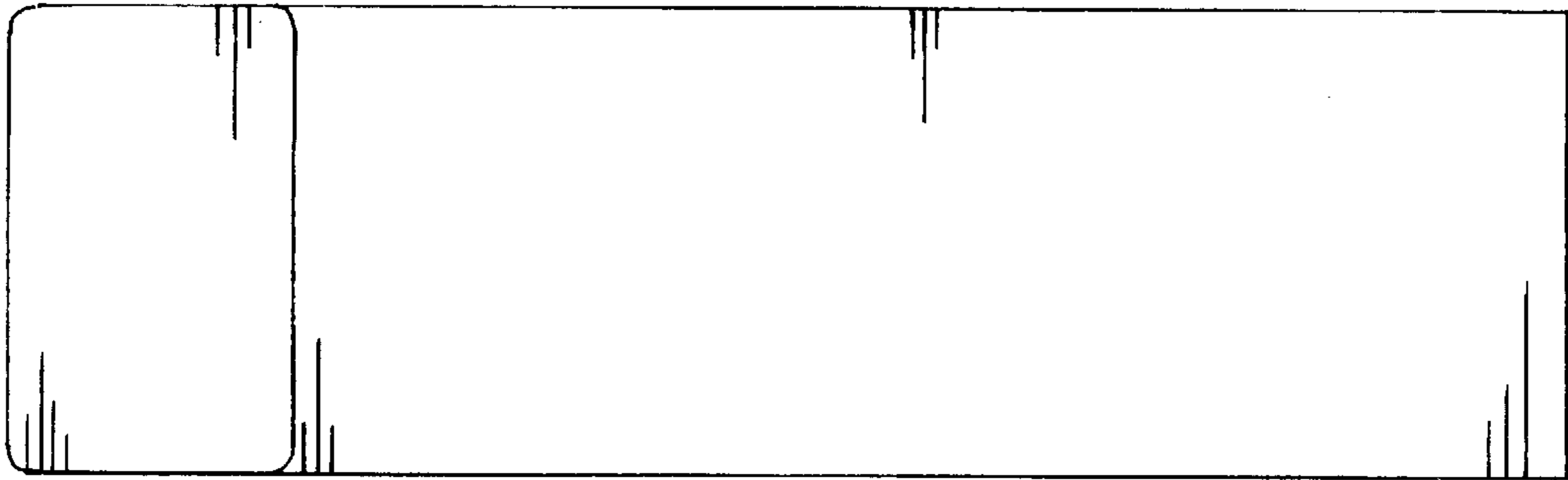


Fig. 5

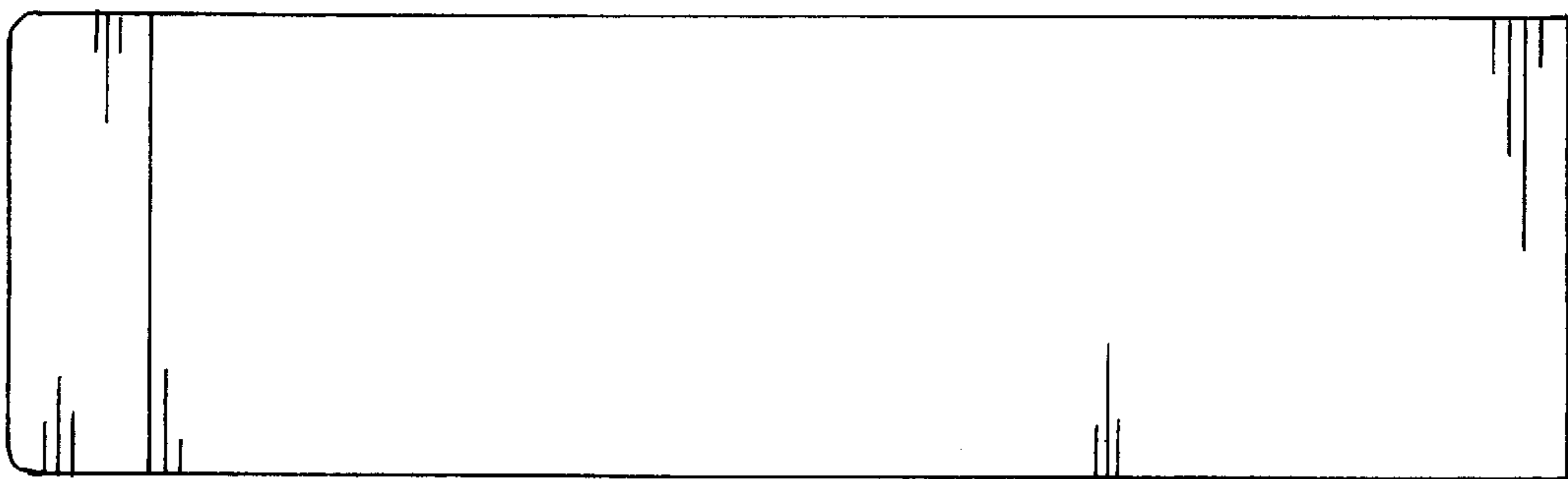


Fig. 6



Fig. 7



Fig. 8

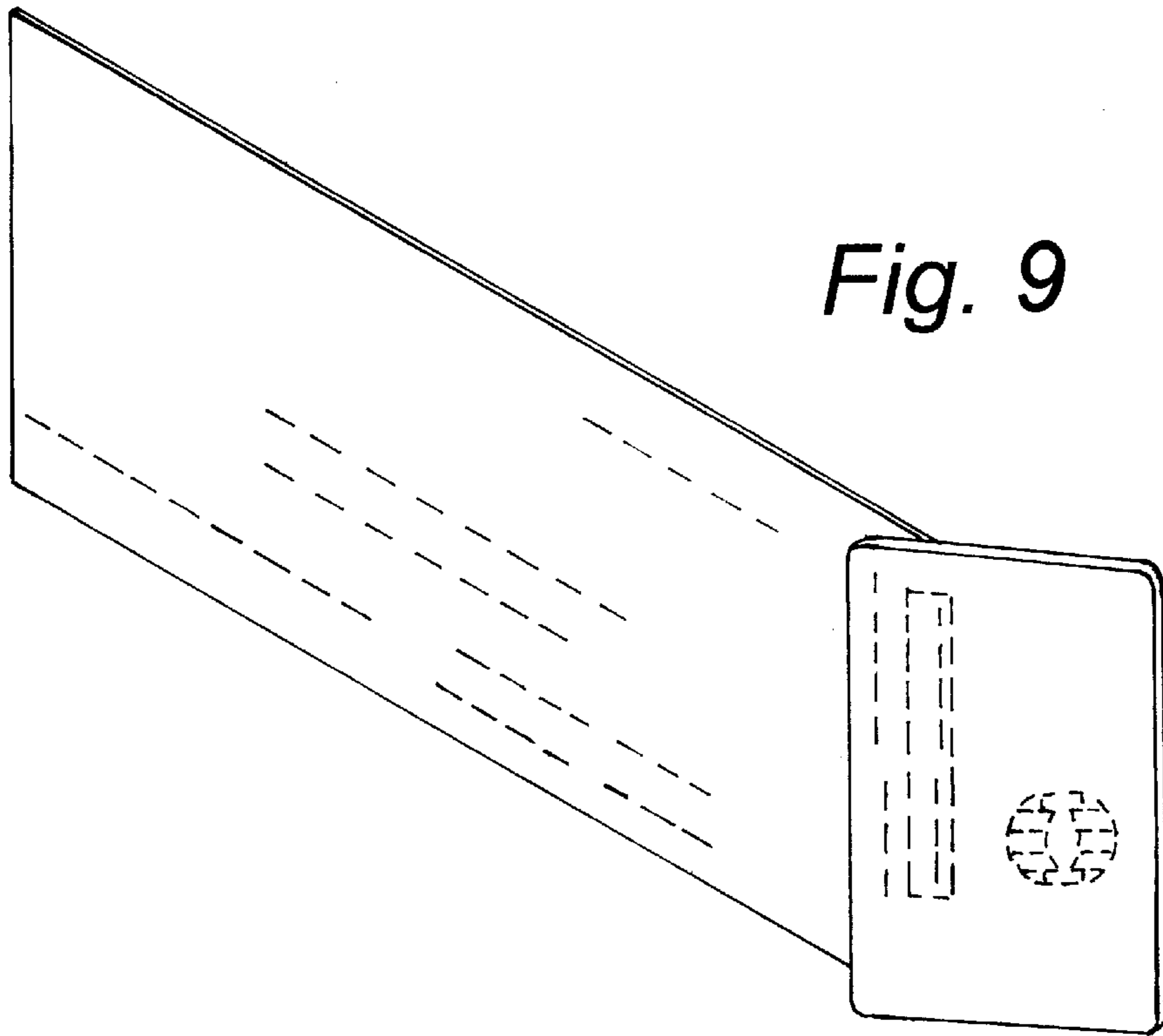


Fig. 10

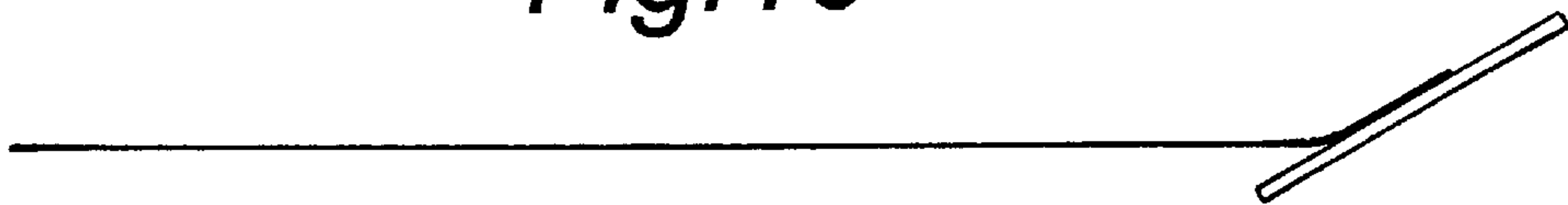


Fig. 11

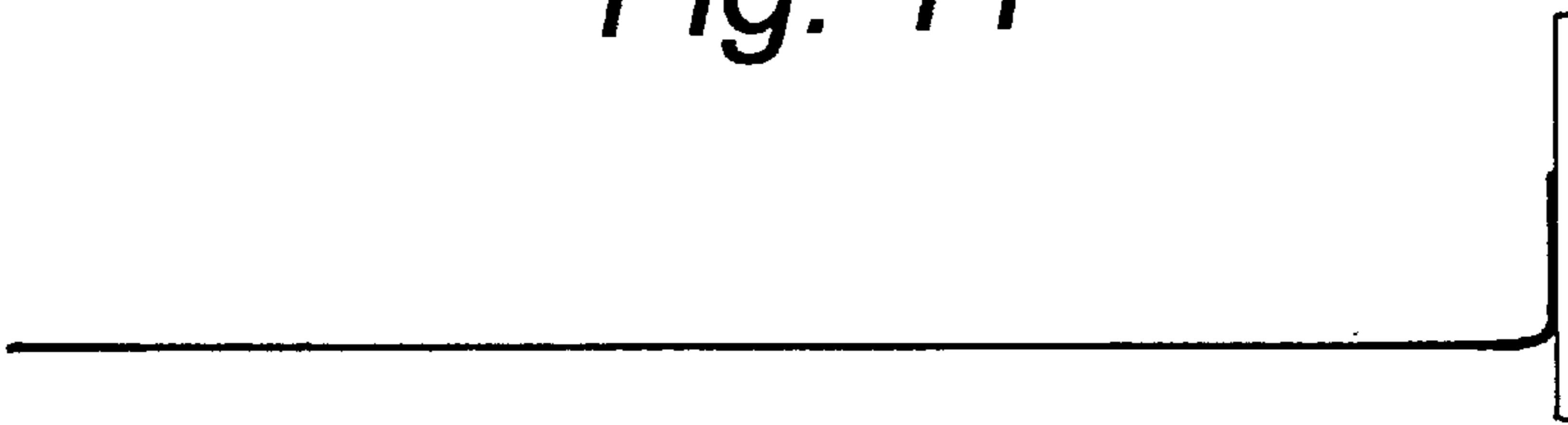


Fig. 12

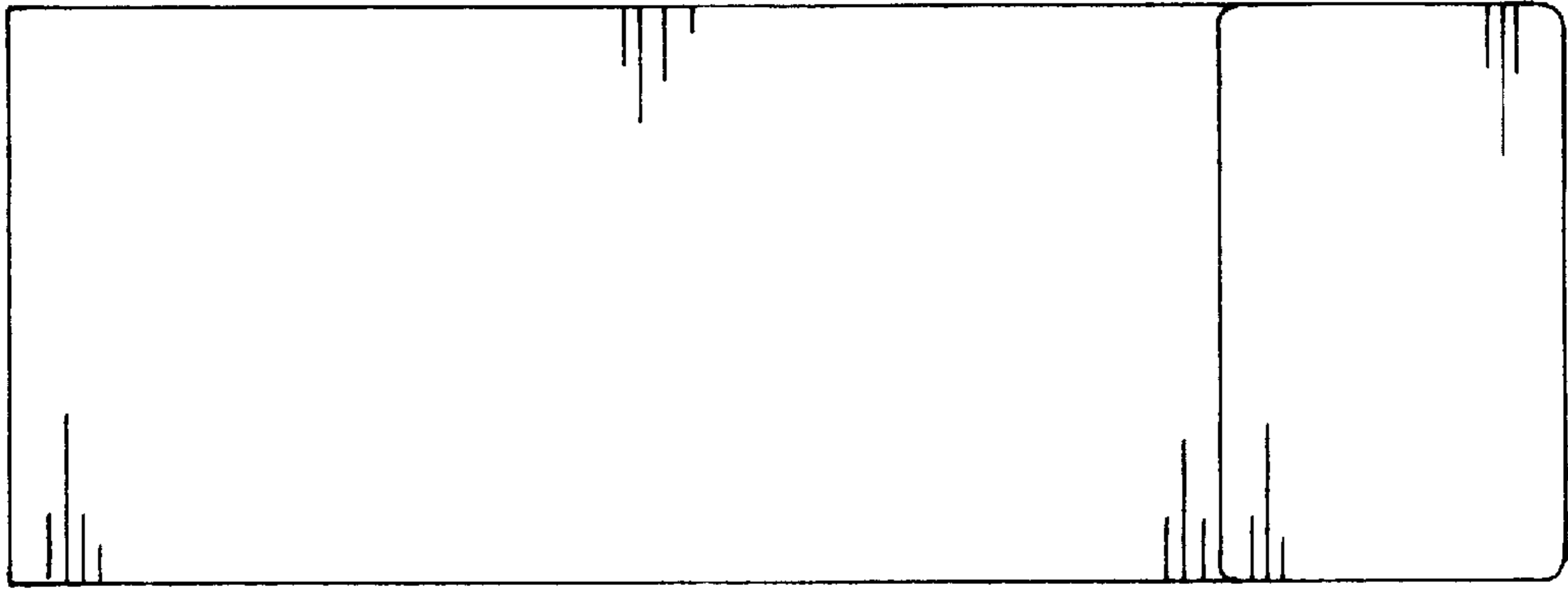


Fig. 13

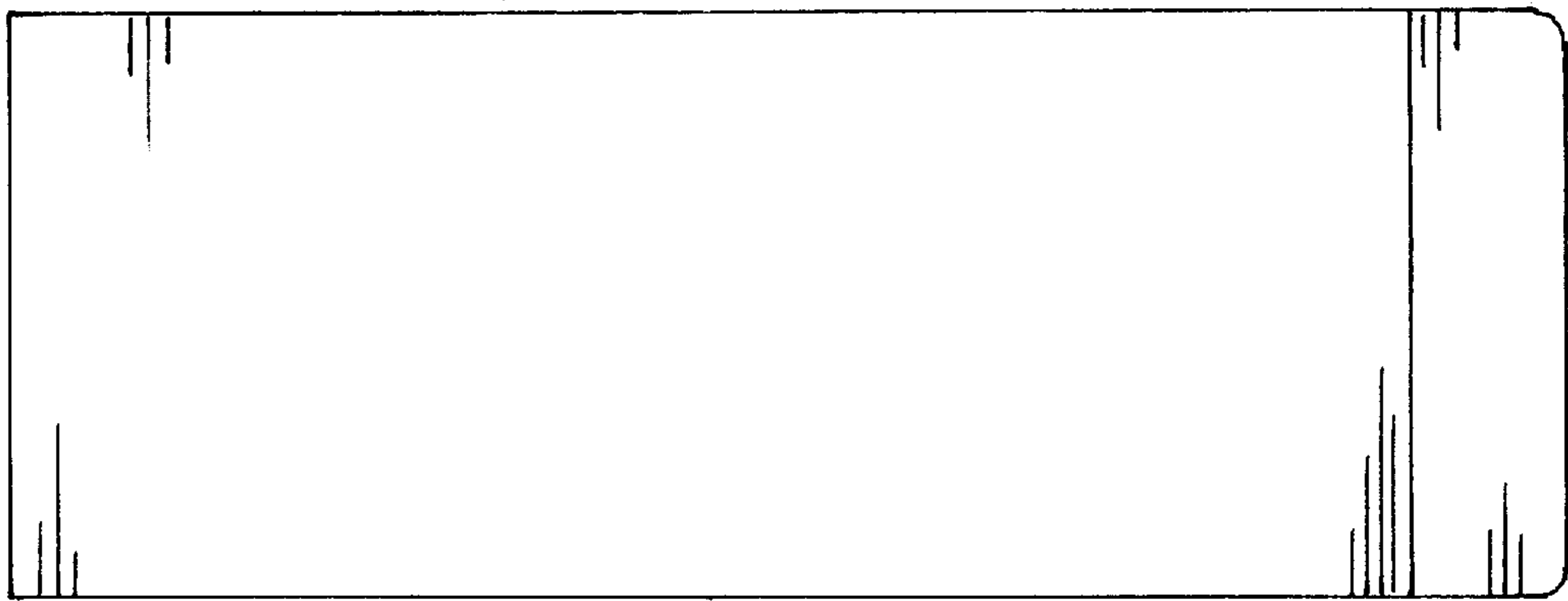


Fig. 14



Fig. 15



Fig. 16

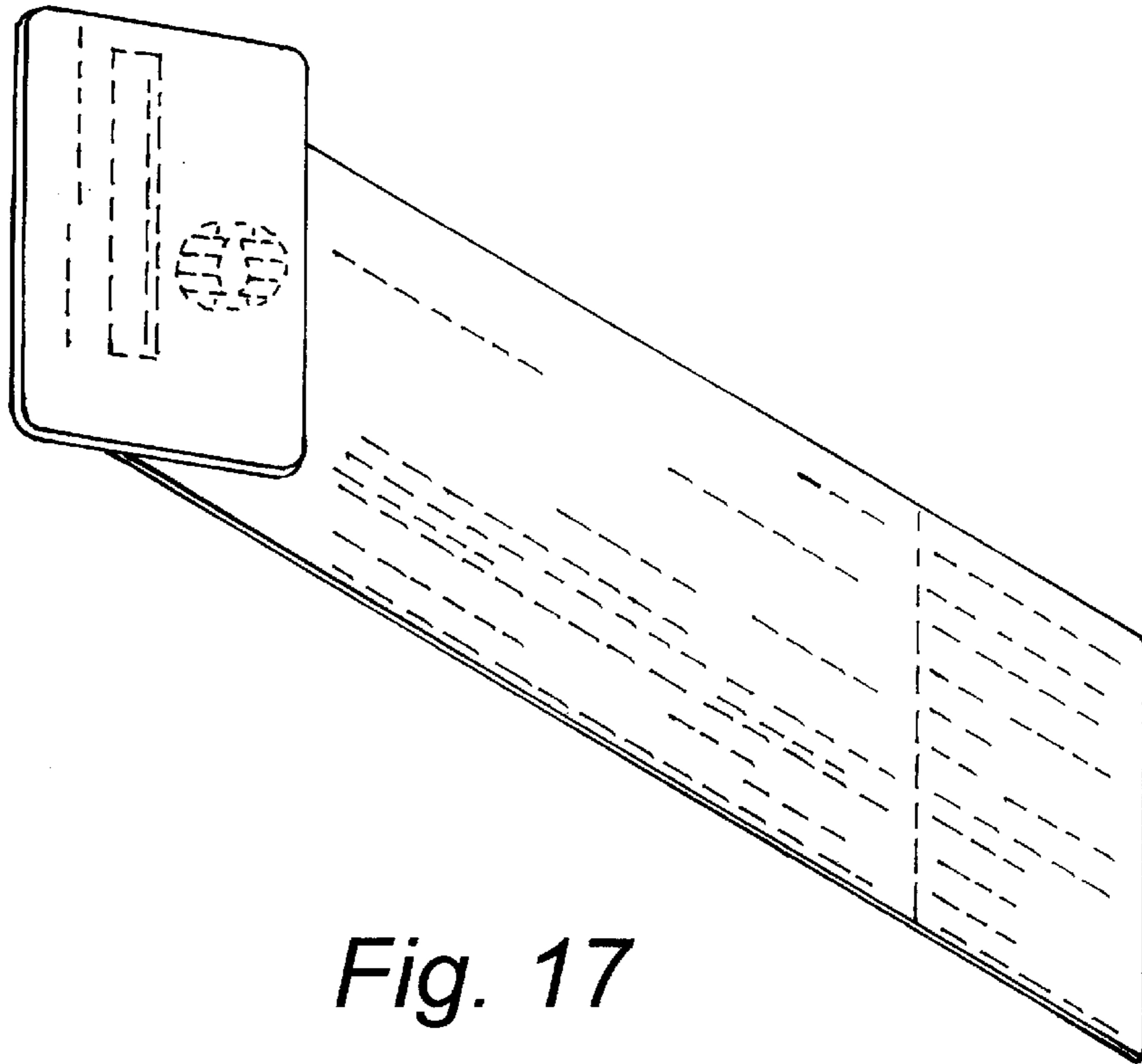


Fig. 17



Fig. 18



Fig. 19



Fig. 20

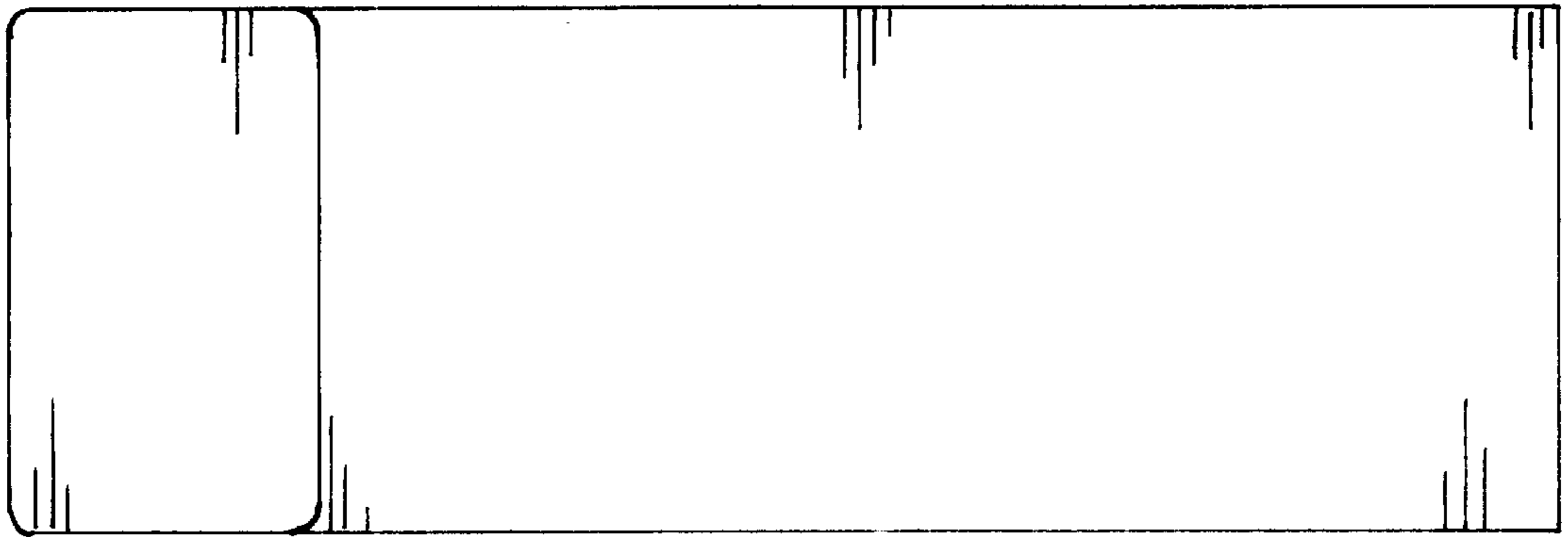


Fig. 21

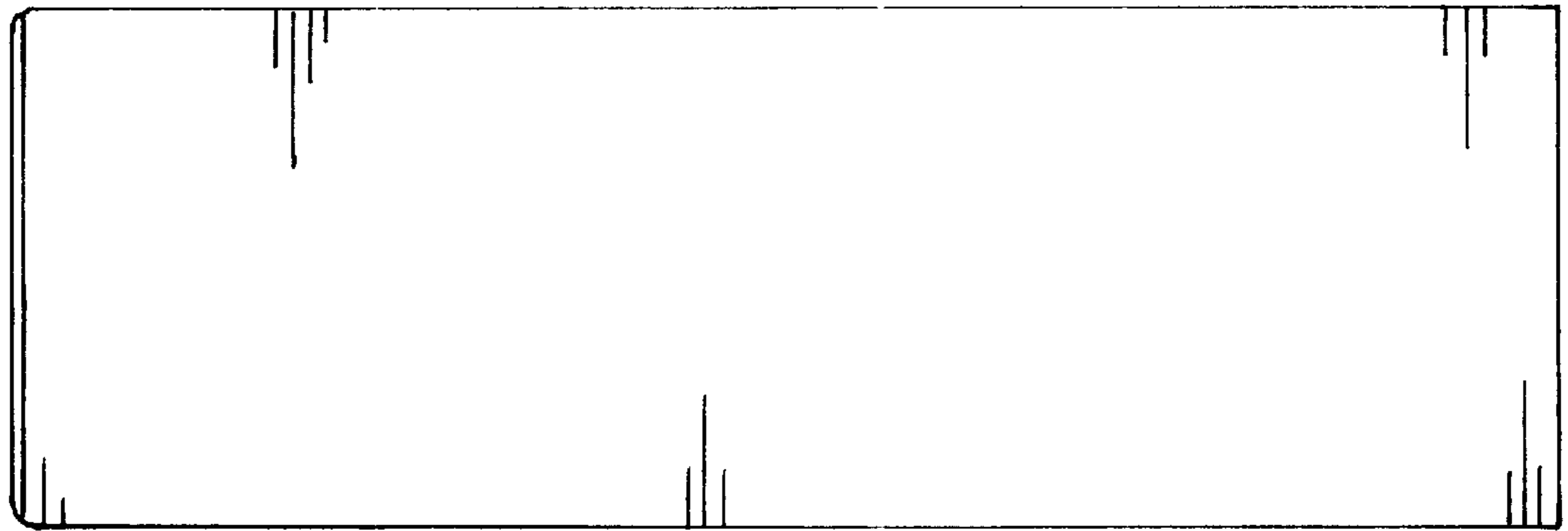


Fig. 22



Fig. 23



Fig. 24

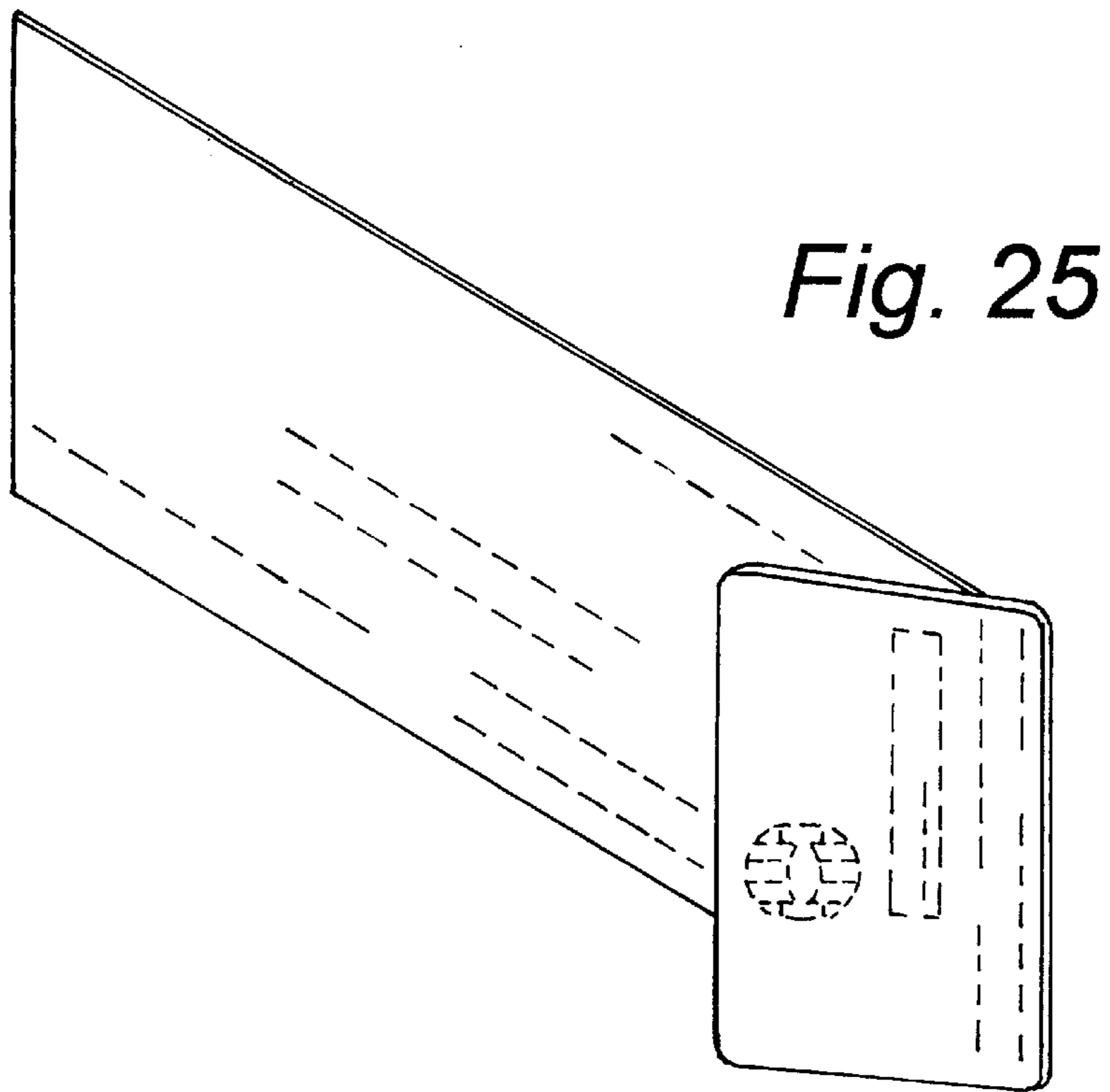


Fig. 26



Fig. 27



Fig. 28

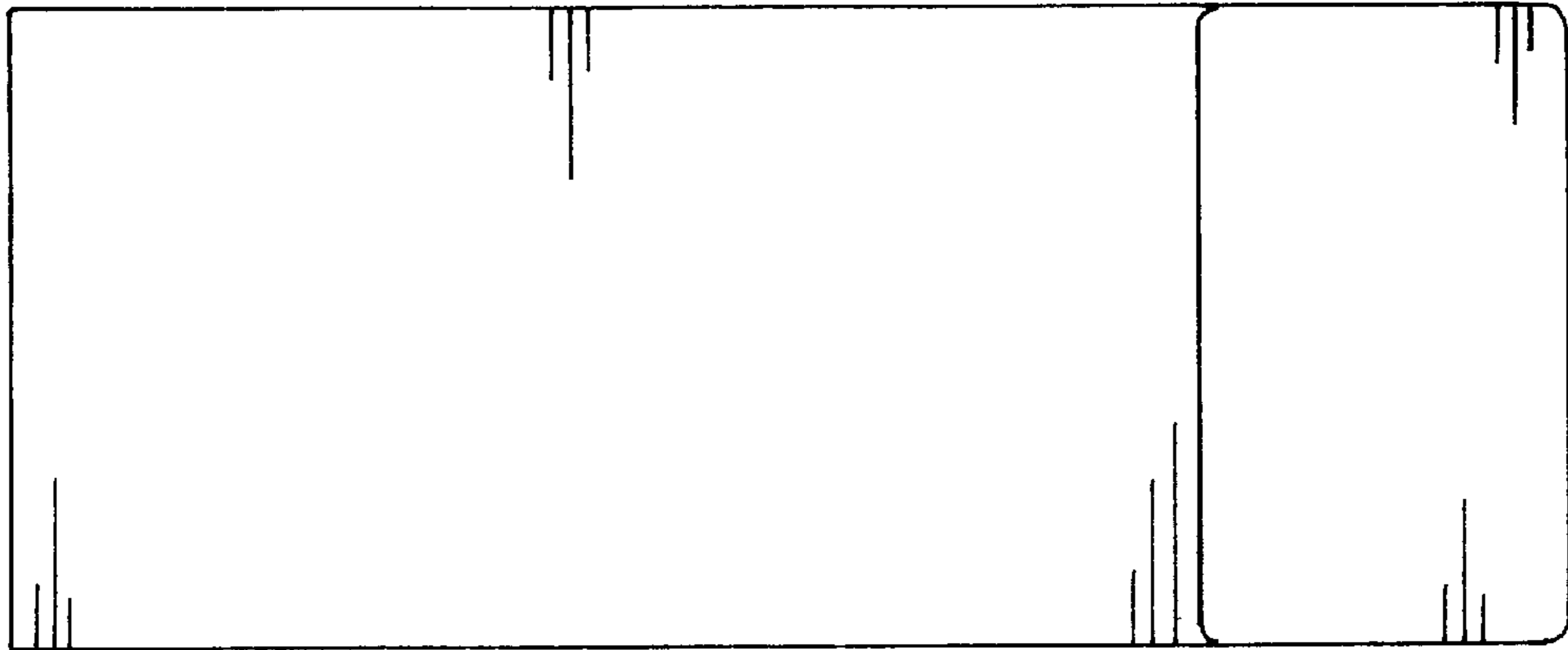


Fig. 29

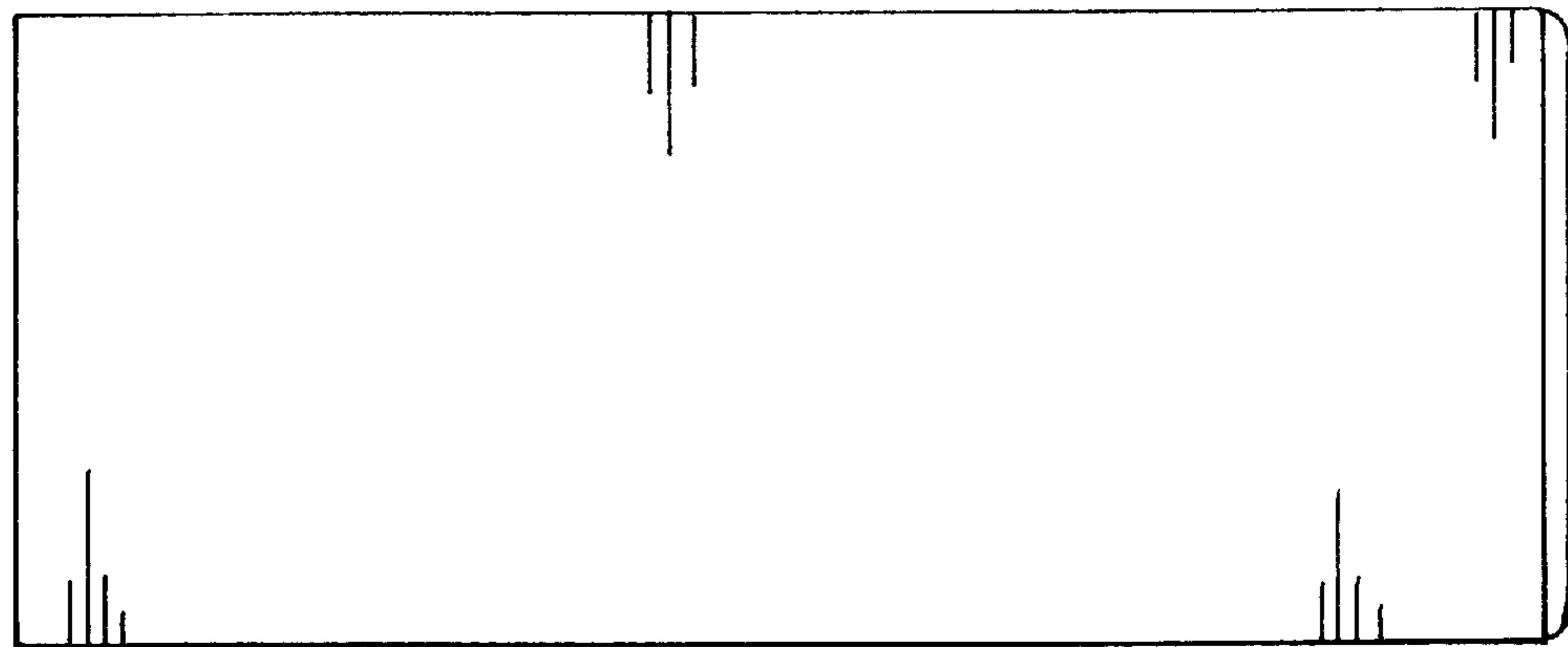


Fig. 30



Fig. 31



Fig. 32