



US00D476679S

(12) **United States Design Patent**
Gonzalez

(10) **Patent No.:** **US D476,679 S**

(45) **Date of Patent:** **** Jul. 1, 2003**

(54) **PORTABLE BILL COUNTER**

D452,973 S * 1/2002 Kuwada D18/3.3

(76) Inventor: **Rolando Gonzalez**, 7104 NW. 50 St.,
Miami, FL (US) 33166

* cited by examiner

(**) Term: **14 Years**

Primary Examiner—Paula A. Mortimer
(74) *Attorney, Agent, or Firm*—J. Sanchelima; A. Bordas

(21) Appl. No.: **29/172,138**

(57) **CLAIM**

(22) Filed: **Dec. 9, 2002**

The ornamental design for the portable bill counter, as shown and described.

(51) **LOC (7) Cl.** **18-01**

DESCRIPTION

(52) **U.S. Cl.** **D18/3.3**

(58) **Field of Search** D18/3.1, 3.2, 3.3;
209/534, 657; 235/379, 449, 33; D10/46,
97; D99/28, 34–35, 99; 453/9, 3

FIG. 1 is a top plan view of a portable bill counter showing my new design;
FIG. 2 is a bottom view thereof;
FIG. 3 is a right view thereof;
FIG. 4 is a left view thereof;
FIG. 5 is a front view thereof;
FIG. 6 is a rear view thereof;
FIG. 7 is a perspective view of my instant invention; and,
FIG. 8 is a perspective view of my instant invention in position to receive bills to counted.

(56) **References Cited**

U.S. PATENT DOCUMENTS

D189,849 S	*	3/1961	Koch	D10/46
D363,672 S	*	10/1995	Yuen	D10/97
D376,246 S	*	12/1996	Sugawara et al.	D99/28
5,796,086 A	*	8/1998	Gannon	235/449
D445,124 S	*	7/2001	Naito	D18/3.3

1 Claim, 4 Drawing Sheets

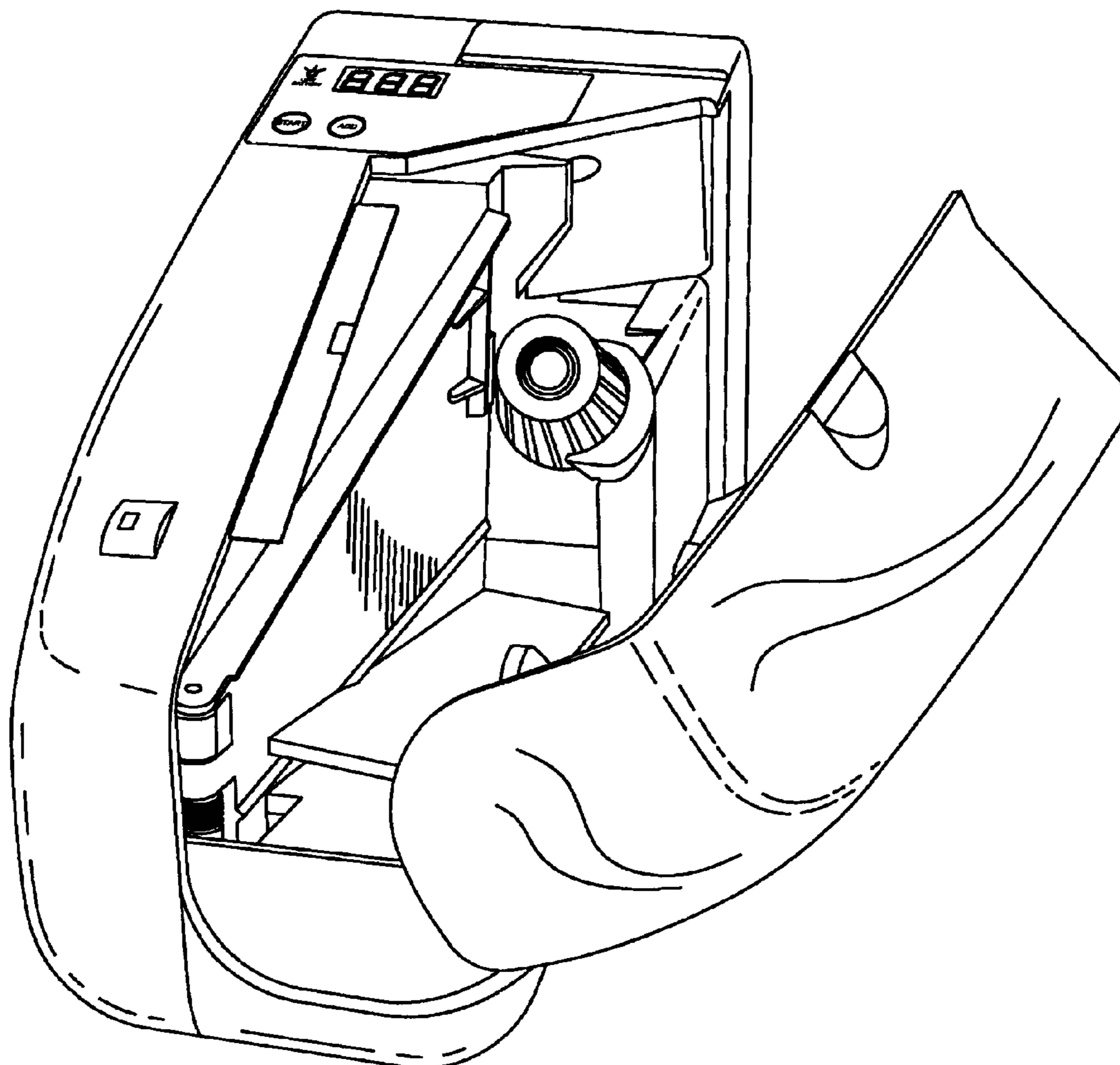


FIG - 1

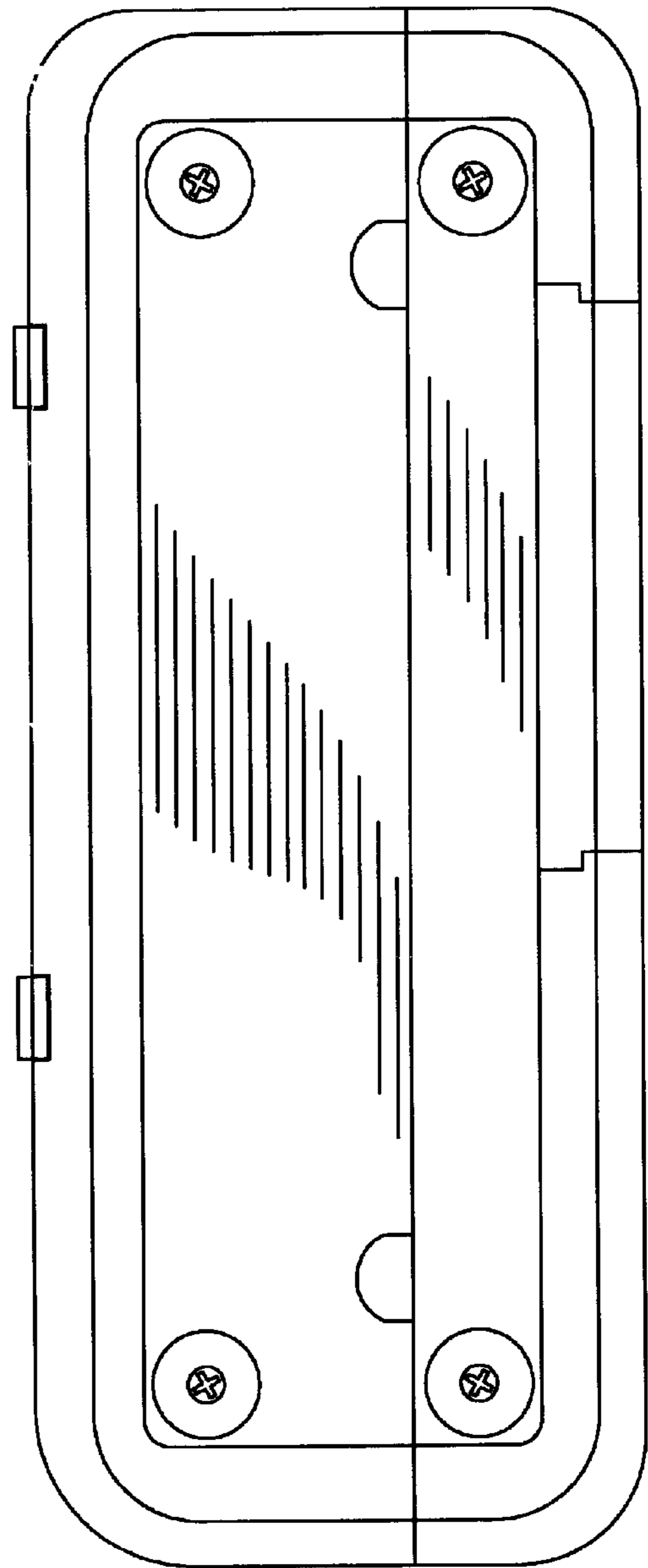
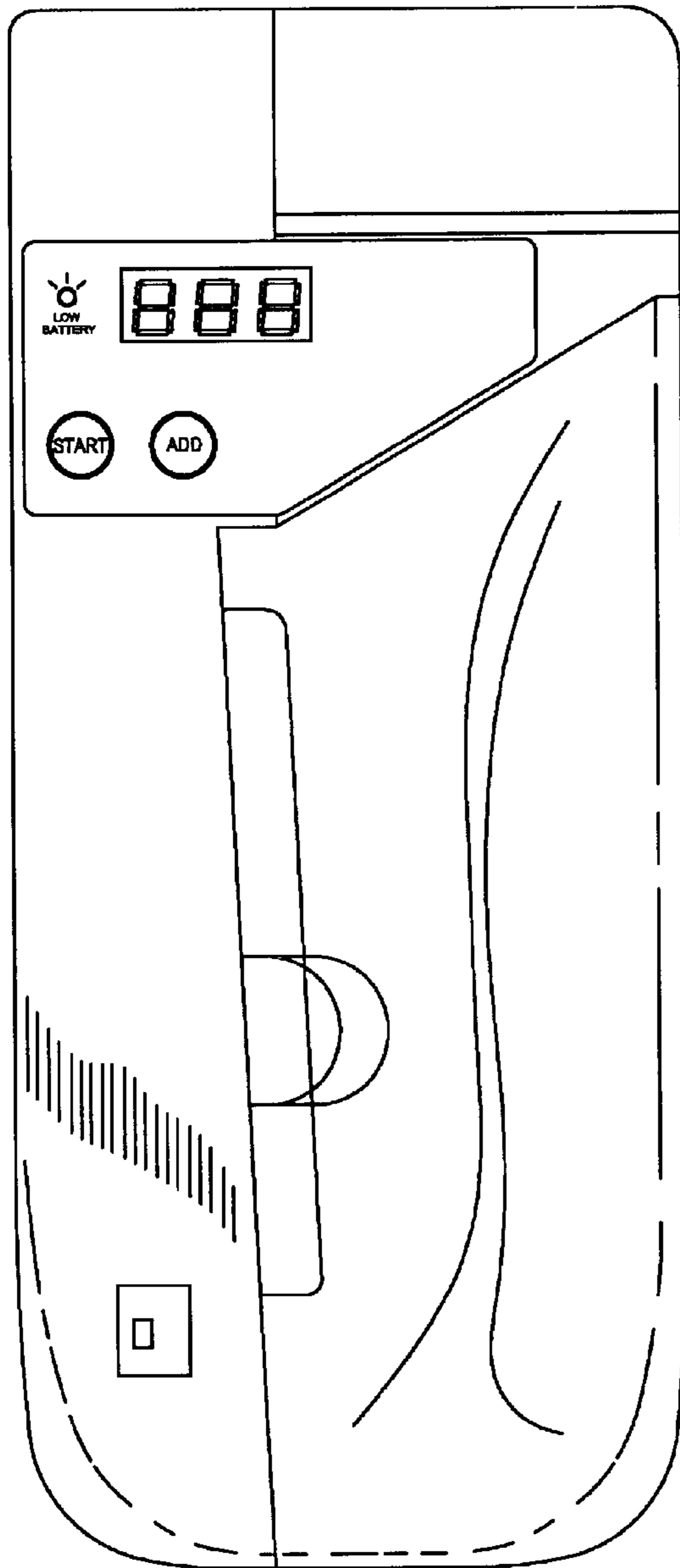
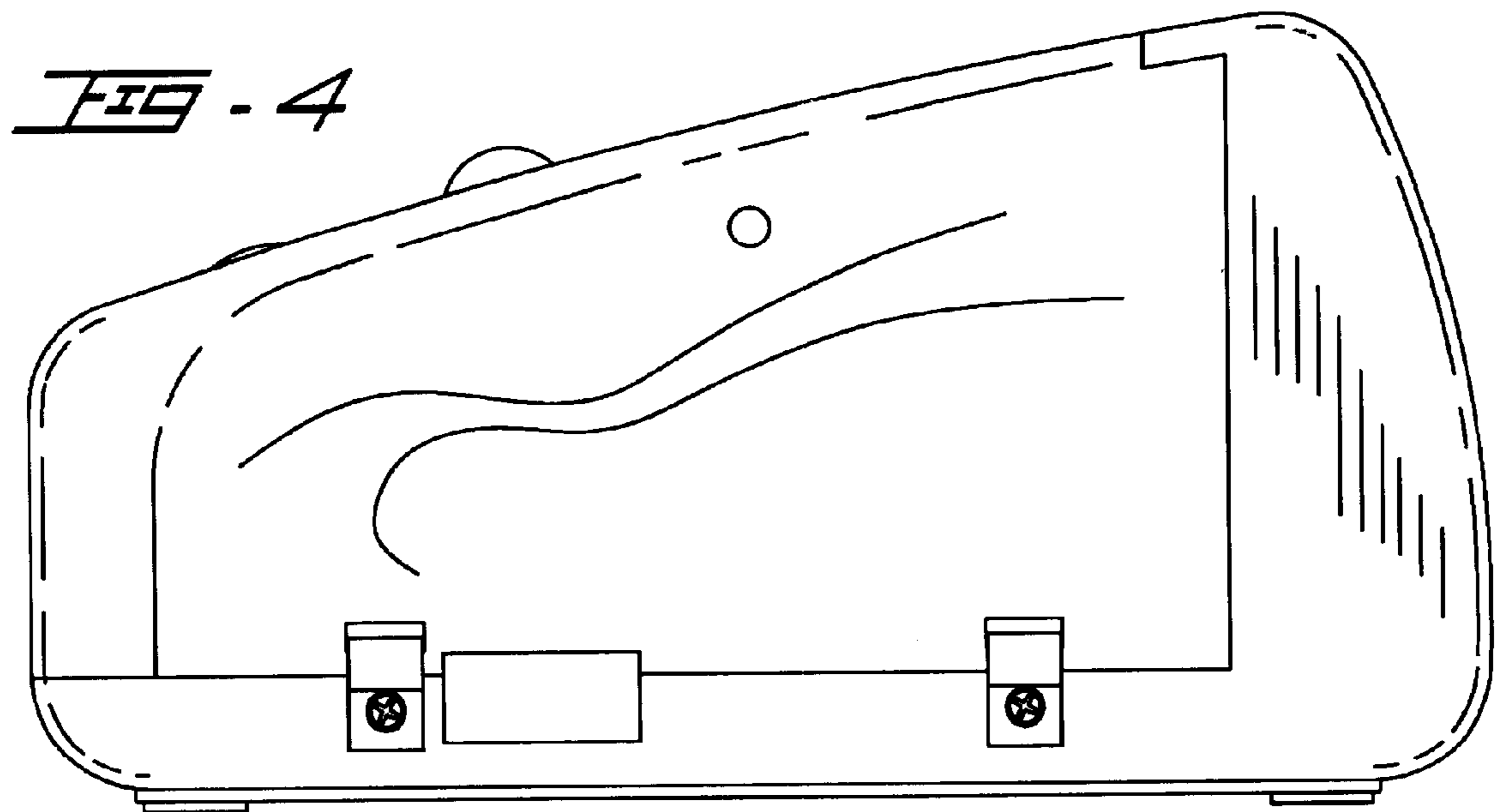
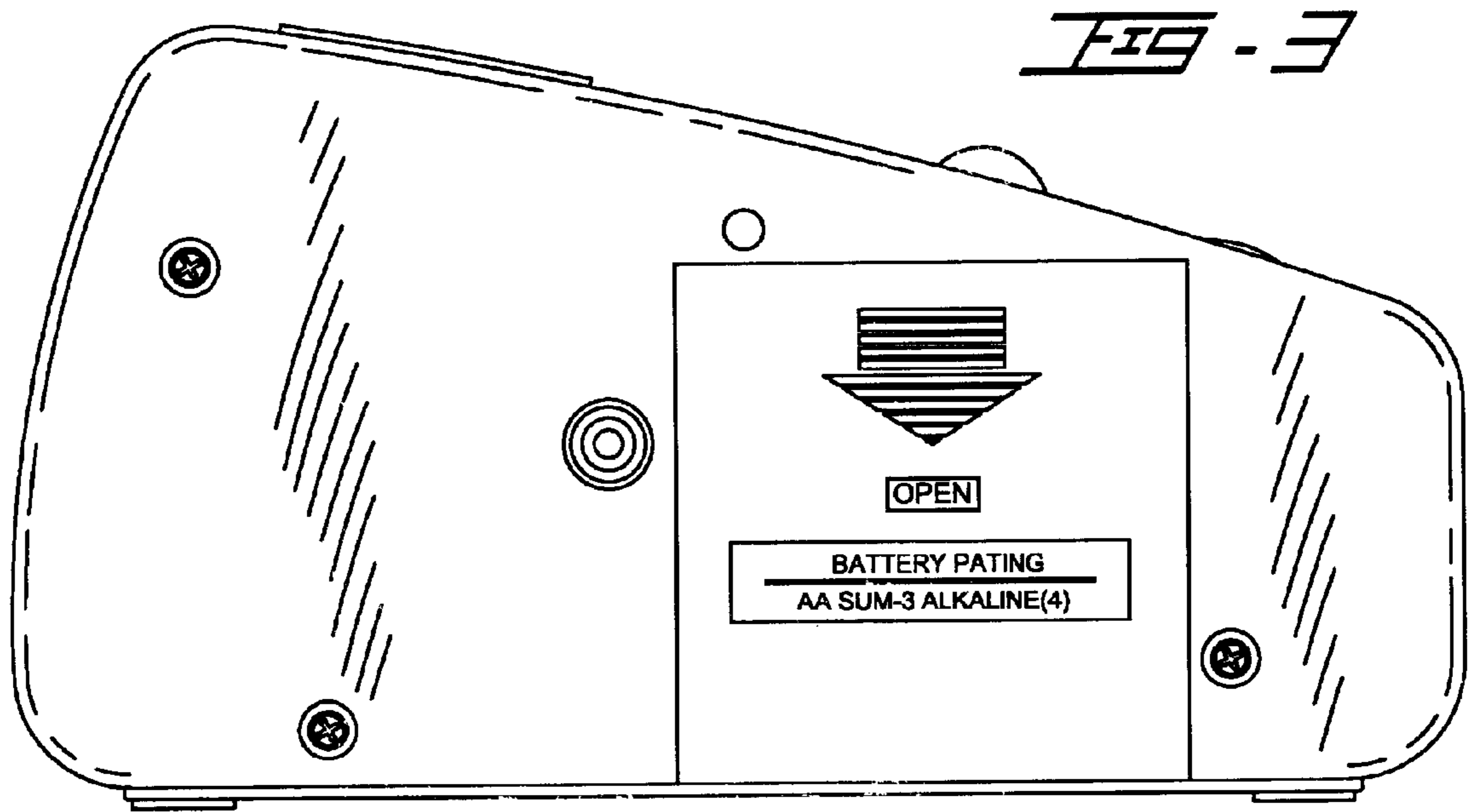


FIG - 2



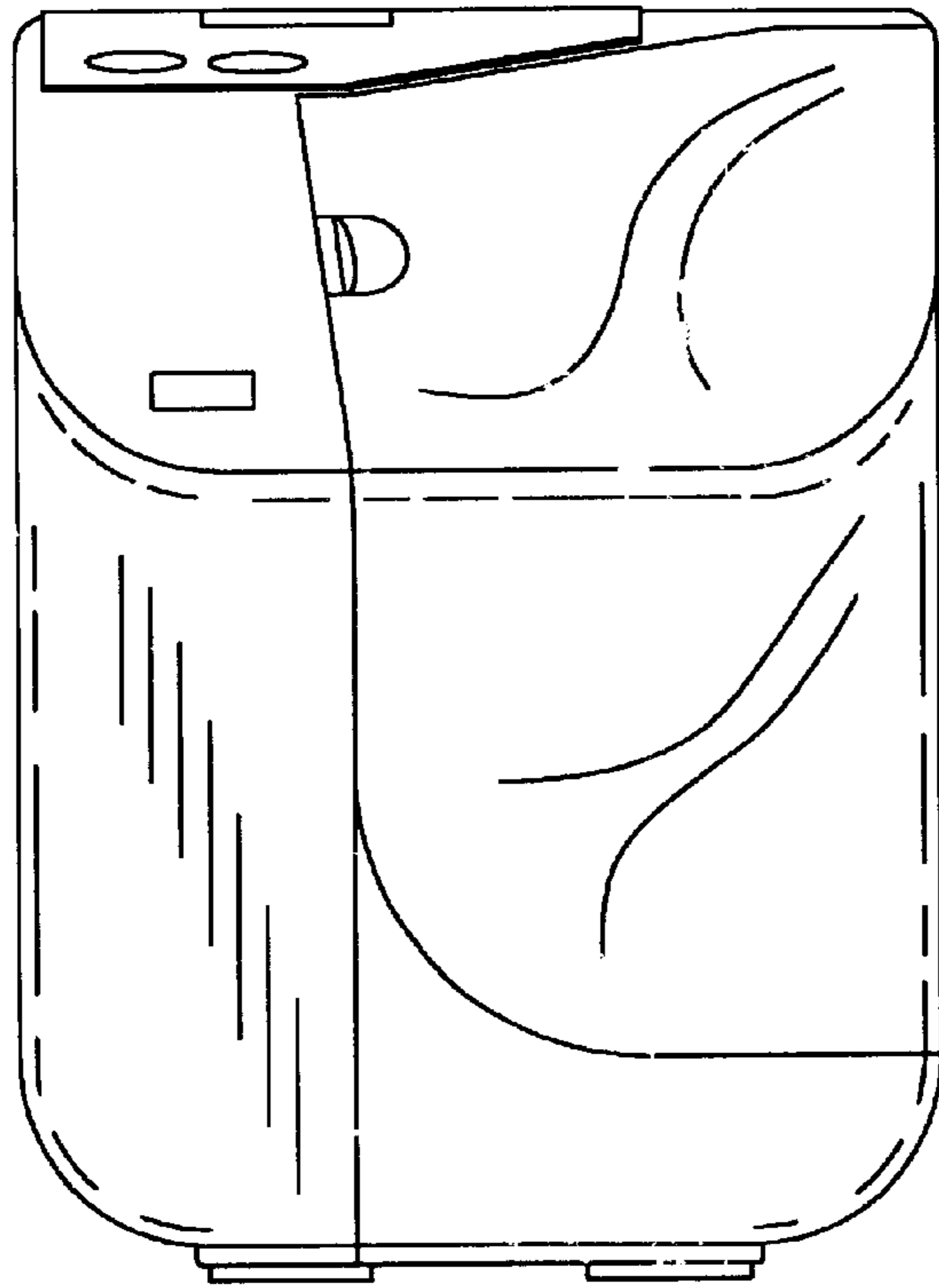


FIG. 5

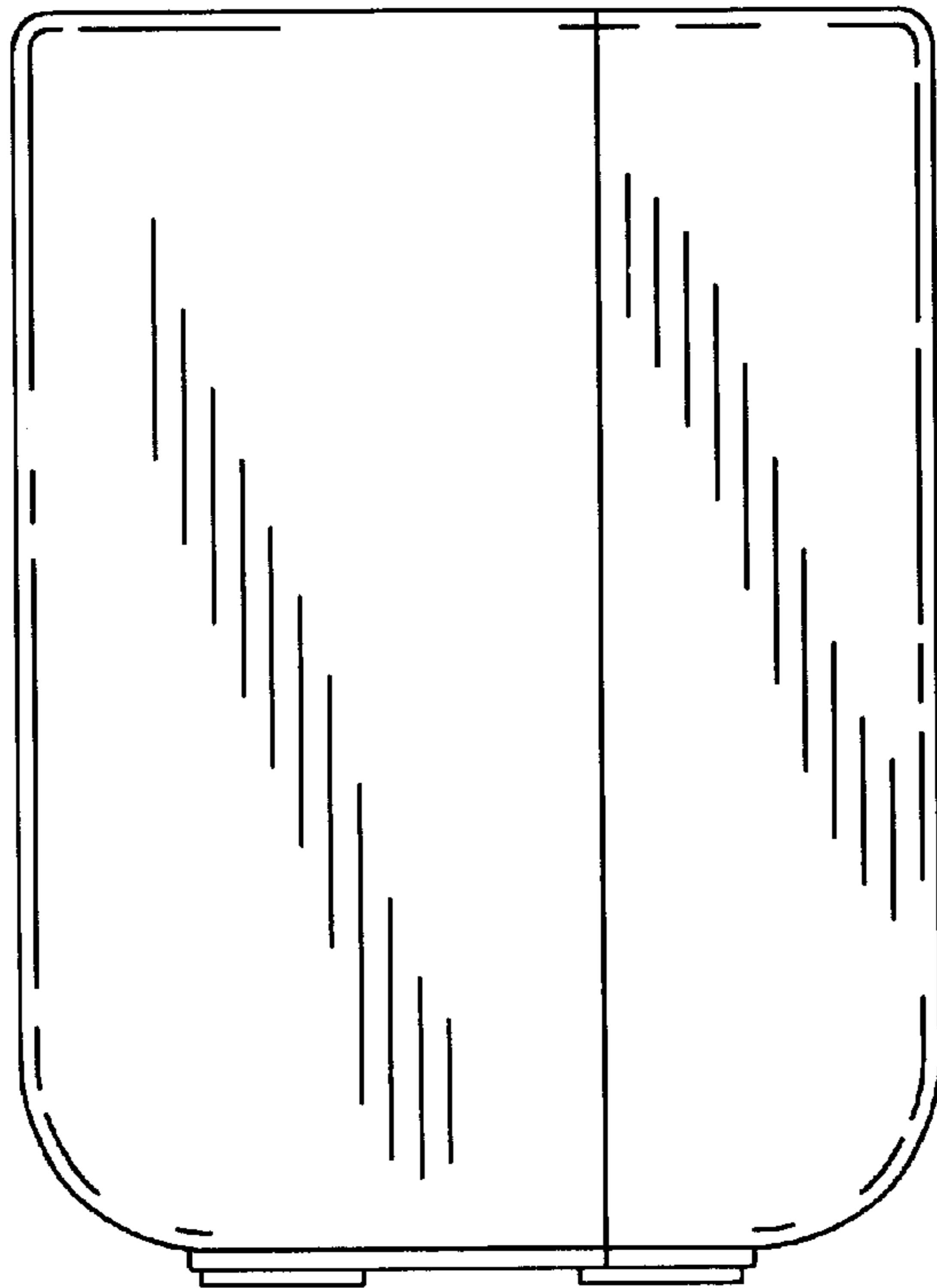


FIG. 6

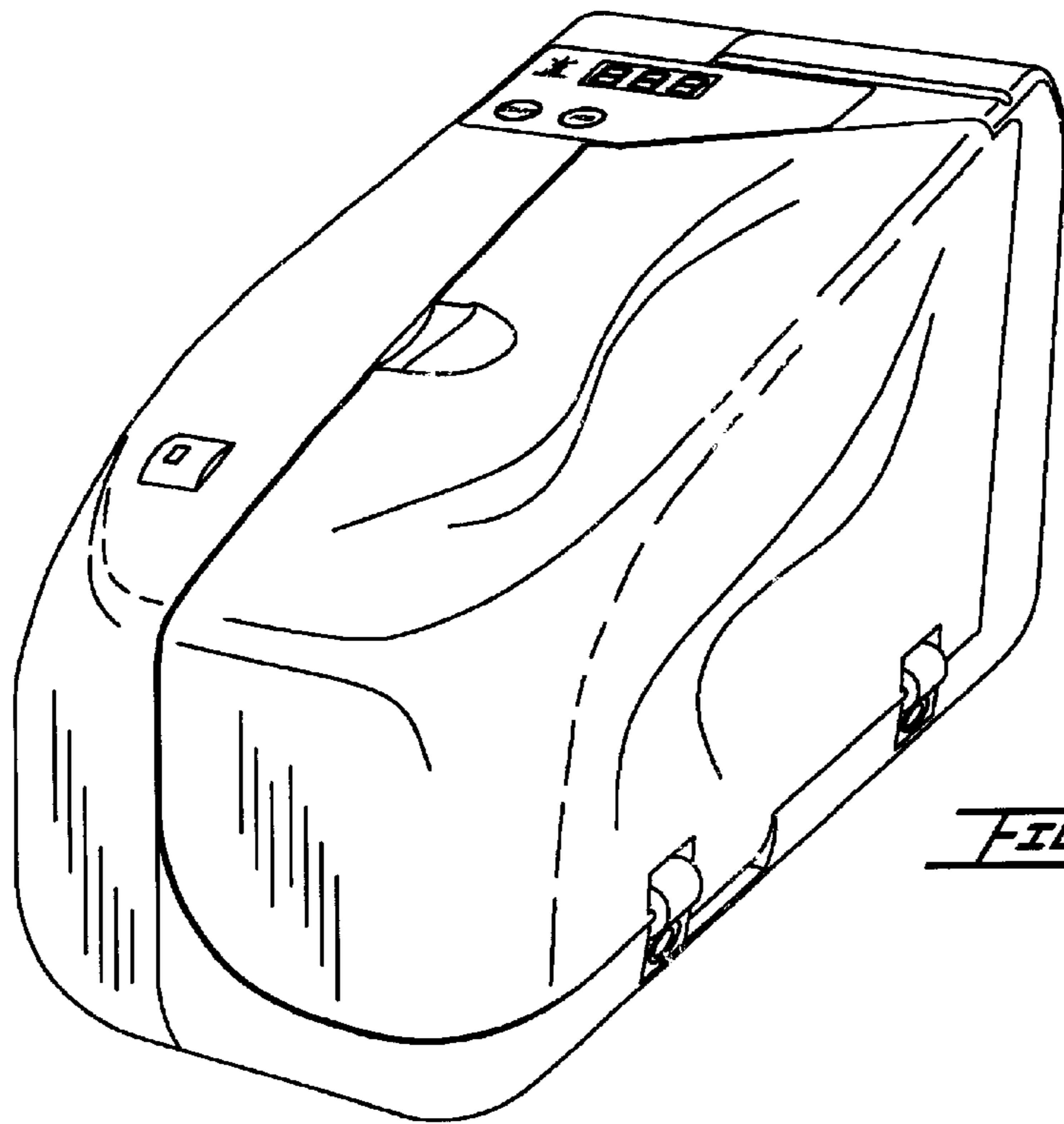


FIG - 7

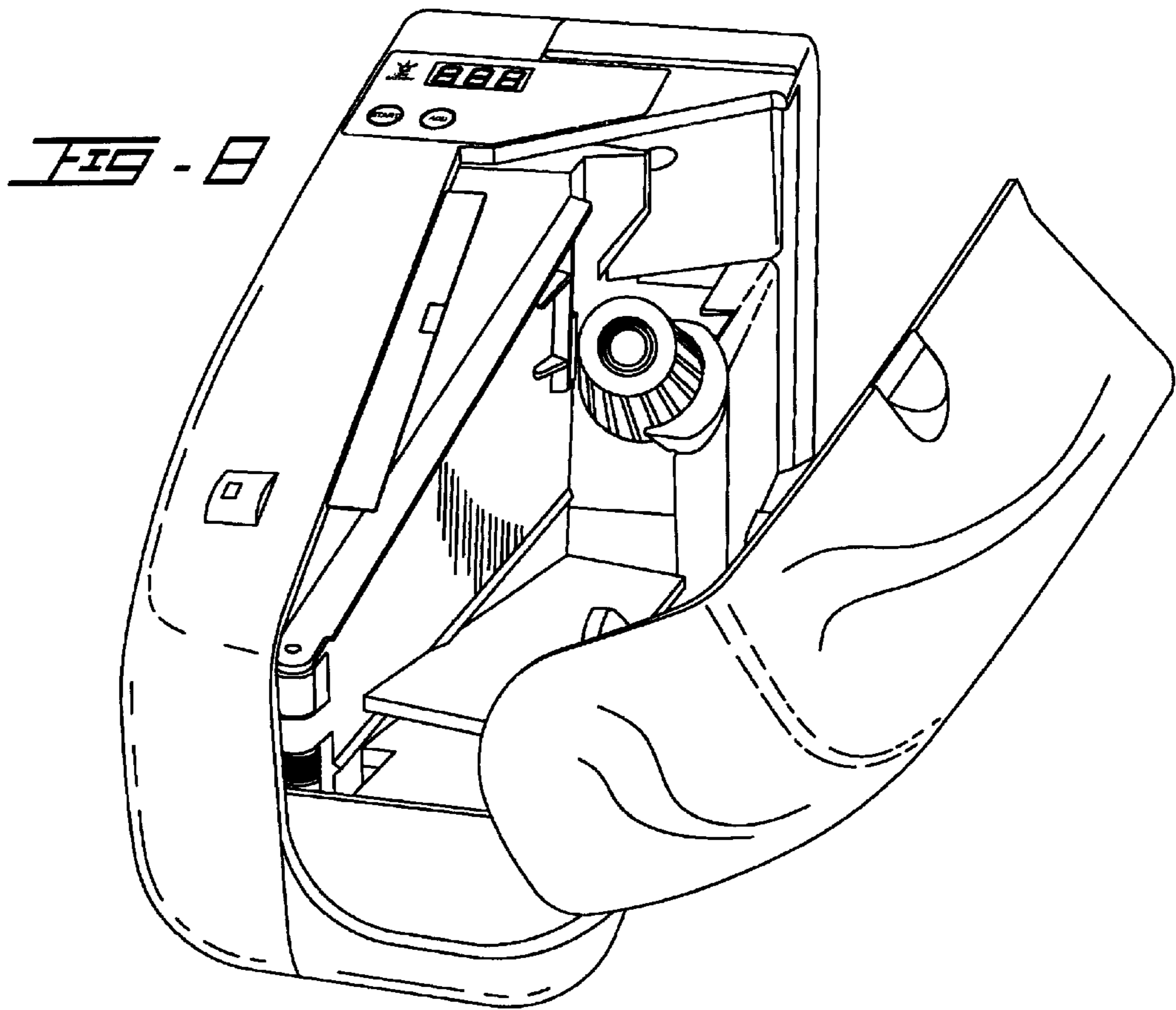


FIG - 8