



US00D476674S

(12) **United States Design Patent**
Pircher

(10) **Patent No.:** **US D476,674 S**

(45) **Date of Patent:** **** Jul. 1, 2003**

(54) **CAMERA**

(75) Inventor: **Karl Pircher**, Vienna (AT)

(73) Assignee: **Lomographische AG**, Vienna (AT)

(**) Term: **14 Years**

(21) Appl. No.: **29/145,310**

(22) Filed: **Jul. 19, 2001**

(30) **Foreign Application Priority Data**

Jan. 19, 2001 (AT) MU296/2001
Jan. 19, 2001 (AT) MU295/2001

(51) **LOC (7) Cl.** **16-01**

(52) **U.S. Cl.** **D16/218**

(58) **Field of Search** D16/200–205,
D16/208, 209, 218; 348/373–376; 358/906,
909.1; 396/535–541

(56) **References Cited**

U.S. PATENT DOCUMENTS

D185,595 S * 6/1959 Crapsey D16/218
D187,563 S * 5/1960 Someha D16/218
D296,551 S * 7/1988 Mizogui D16/202

5,710,597 A * 1/1998 Tamaki et al. 358/906
D392,658 S * 3/1998 Akabane et al. D16/202
6,453,122 B1 * 9/2002 Misawa et al. 348/376

OTHER PUBLICATIONS

Better Homes and Gardens, Feb. 2000 vol. 78 Issue 2
(Polaroid's PhotoMax).*

* cited by examiner

Primary Examiner—Adir Aronovich

(74) *Attorney, Agent, or Firm*—Laurence A. Greenberg;
Werner H. Stemer; Ralph E. Locher

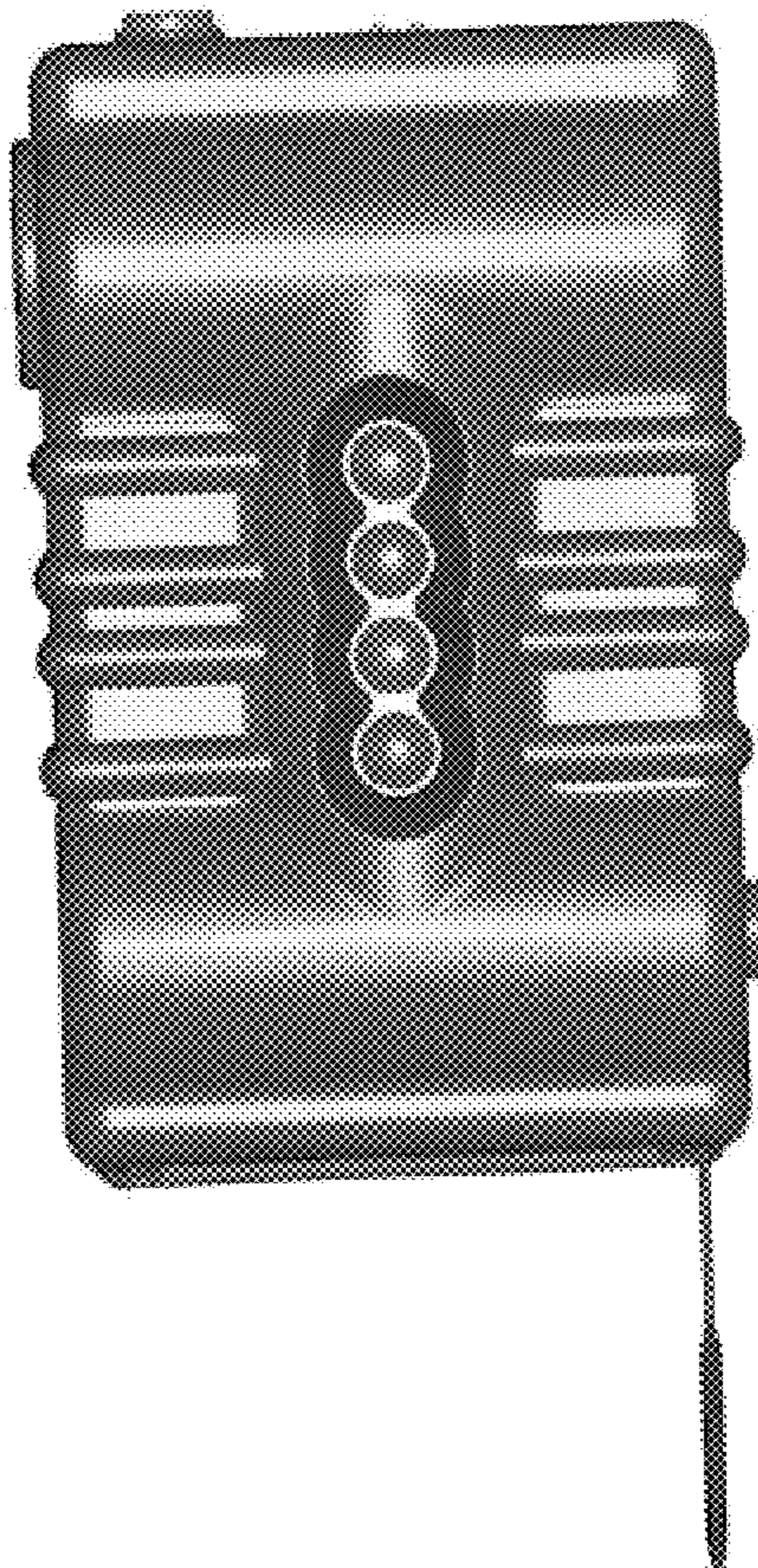
(57) **CLAIM**

The ornamental design for the camera, as shown and
described.

DESCRIPTION

FIG. 1 is a front elevational view of the camera;
FIG. 2 is a top view of the camera;
FIG. 3 is a rear view of the camera;
FIG. 4 is a bottom view of the camera;
FIG. 5 is a right-side view of the camera;
FIG. 6 is a left-side view of the camera; and,
FIG. 7 is a top front perspective view of the camera.

1 Claim, 7 Drawing Sheets



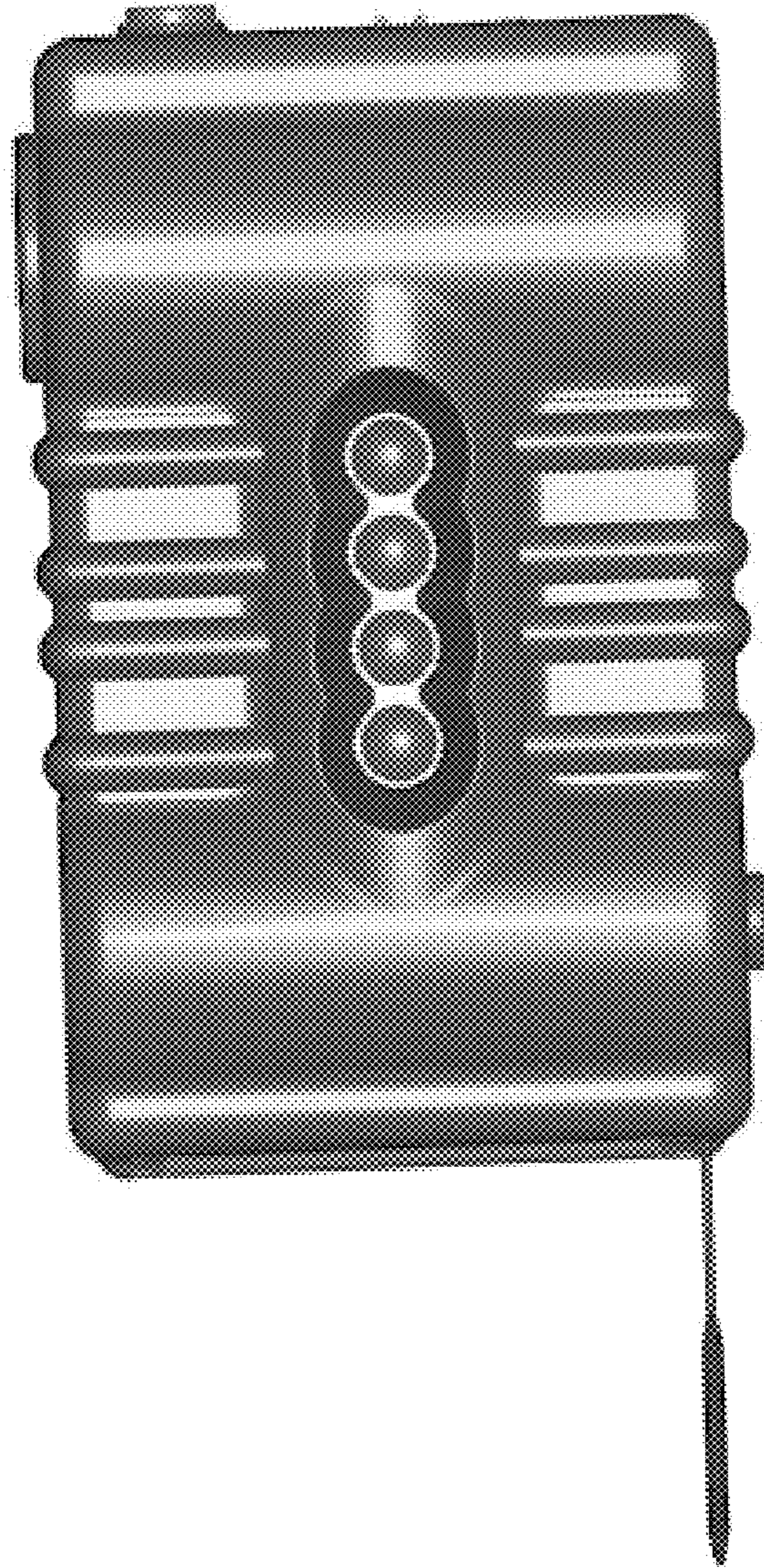


FIG. 1

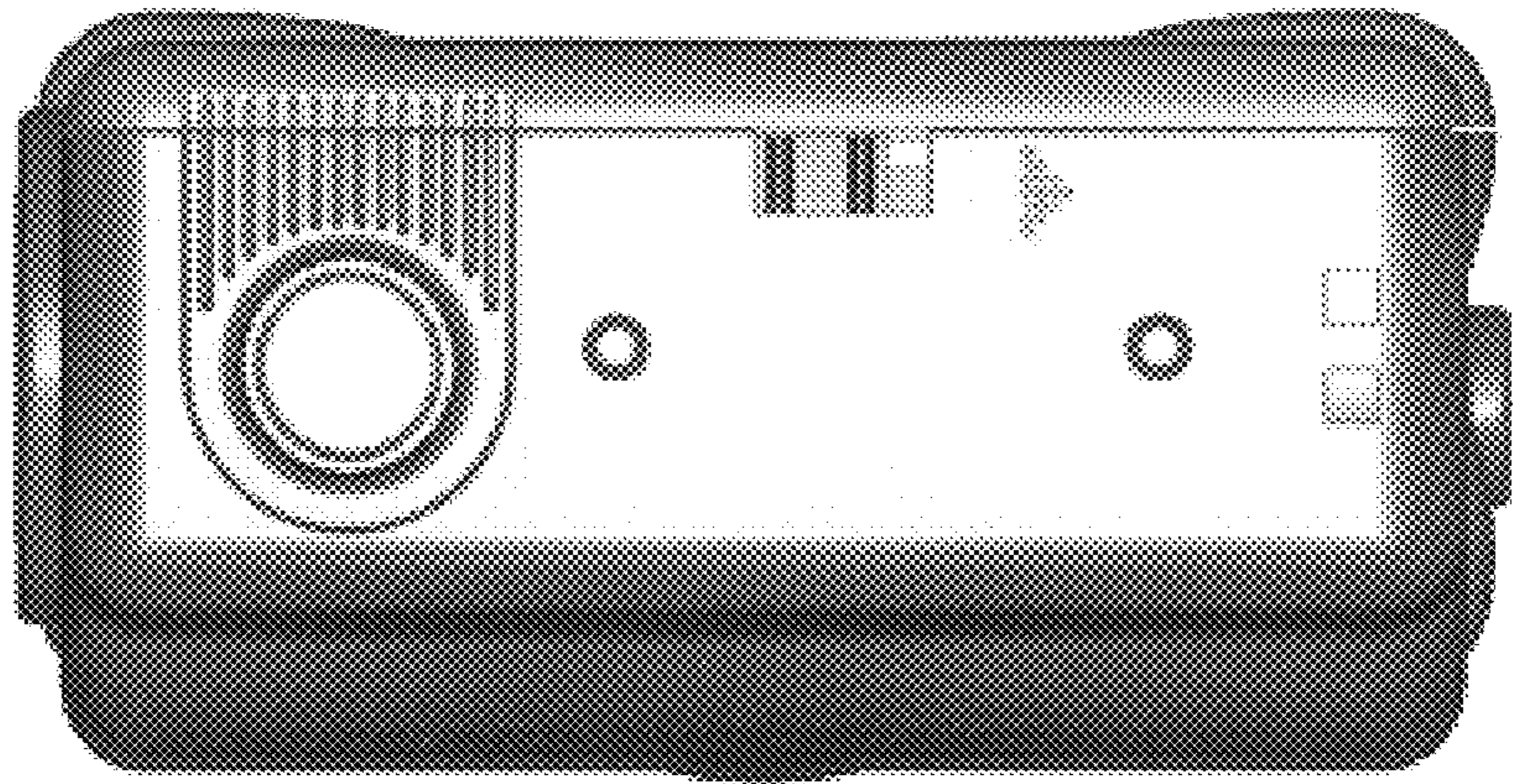


FIG. 2

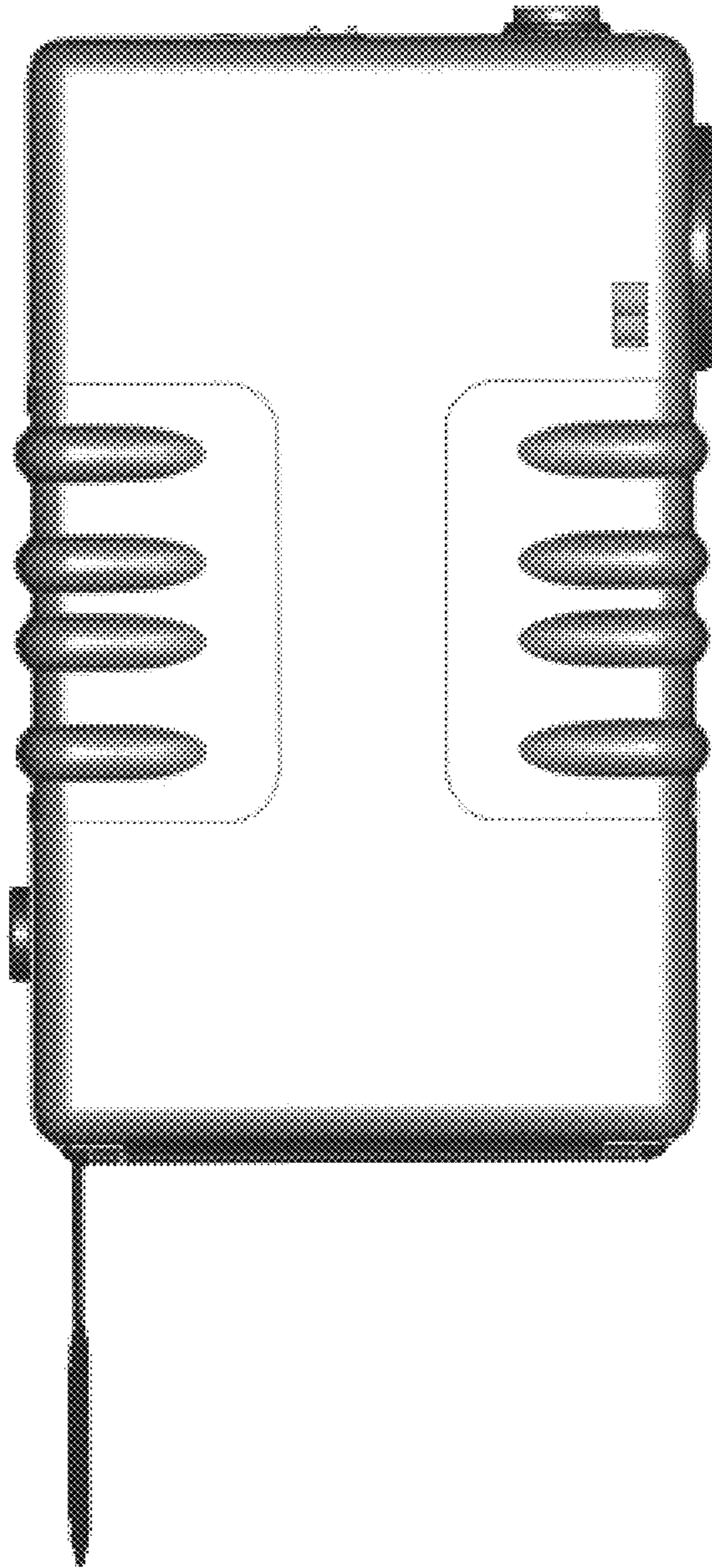


FIG. 3

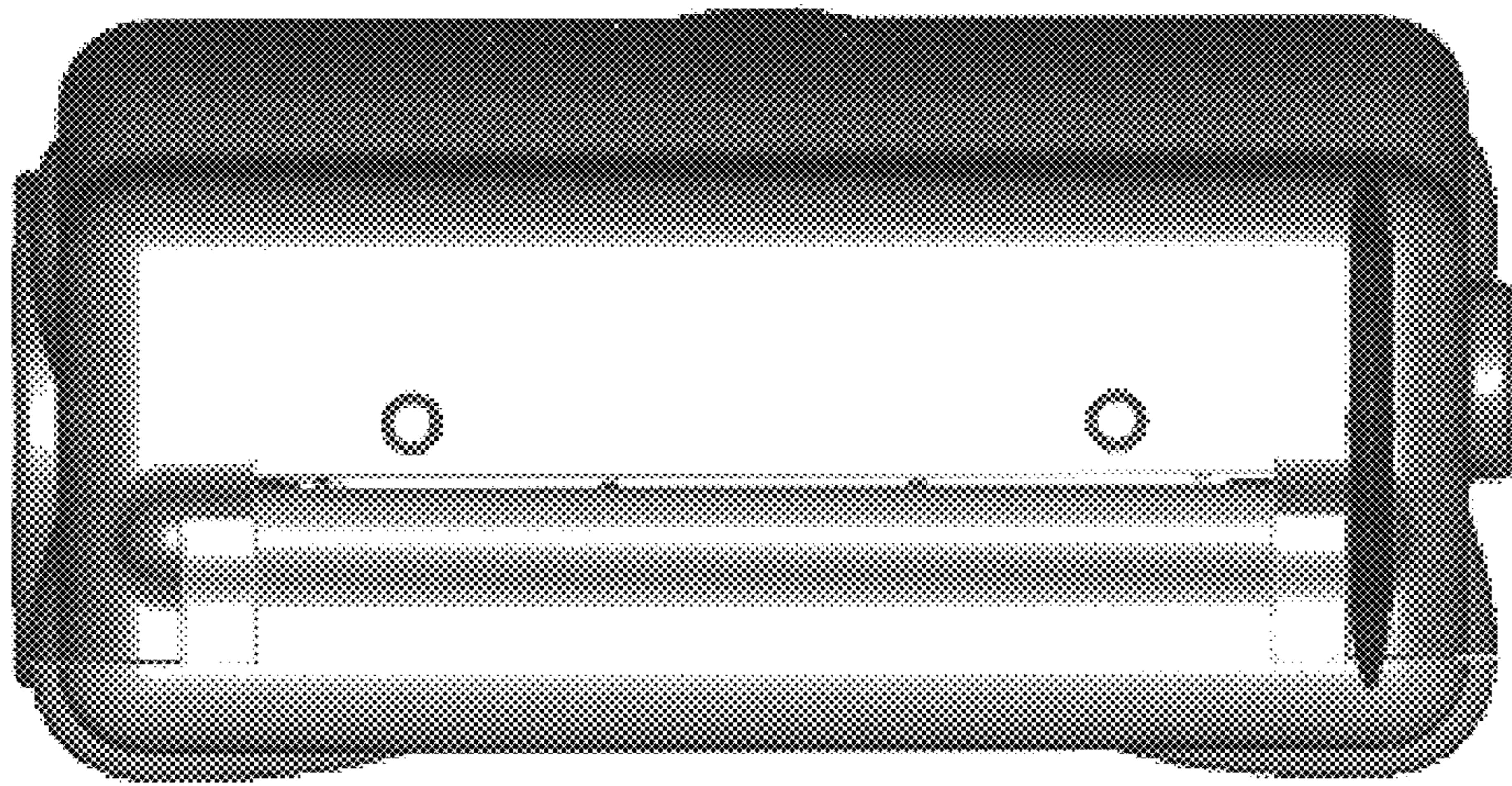


FIG. 4

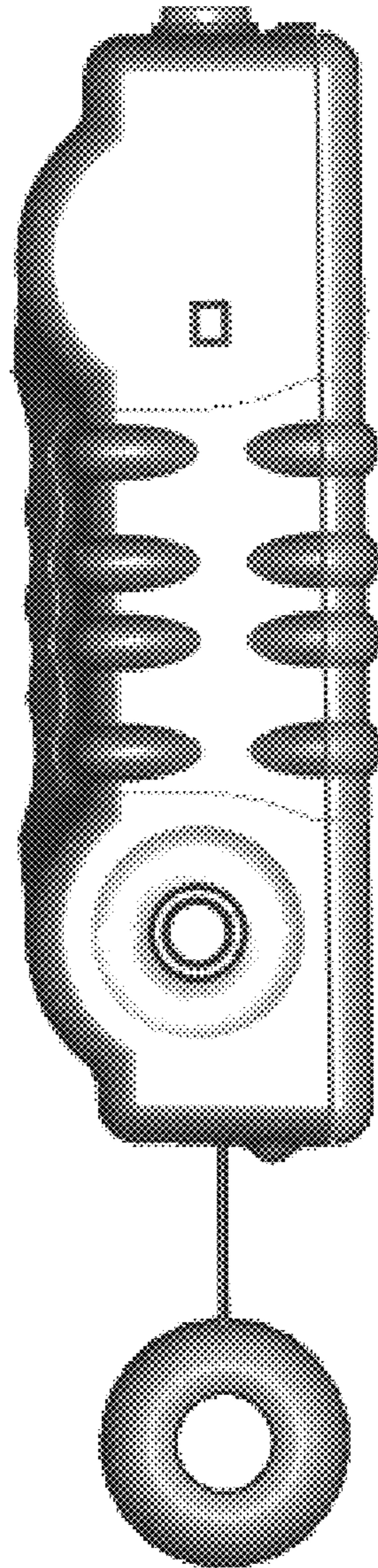


FIG. 5

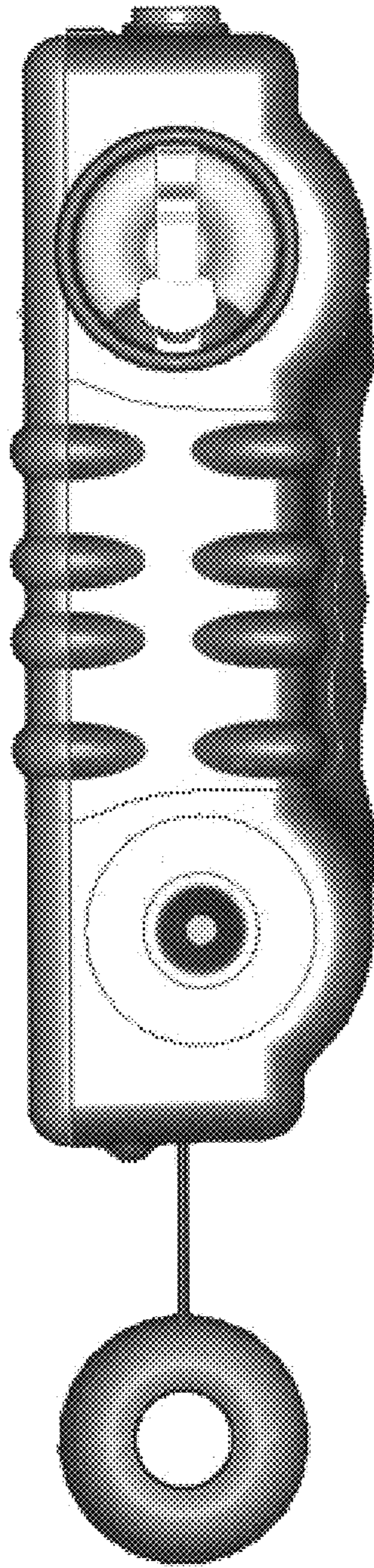


FIG. 6

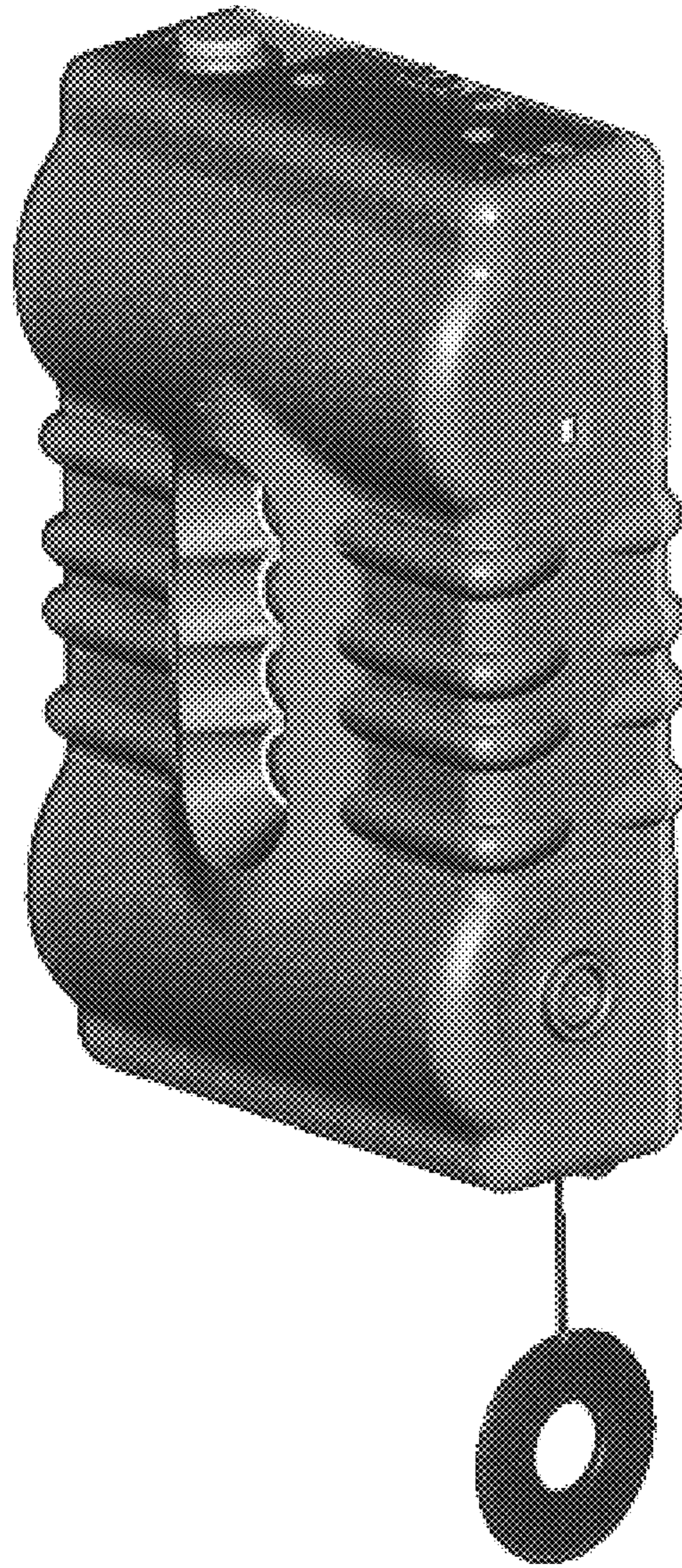


FIG. 7