



US00D476672S

(12) **United States Design Patent**  
**Takimura et al.**

(10) **Patent No.:** **US D476,672 S**

(45) **Date of Patent:** **\*\* Jul. 1, 2003**

(54) **CAMERA**

(75) **Inventors:** **Ryo Takimura, Tokyo (JP); Masayoshi Era, Tokyo (JP); Koujiro Yoshida, Tokyo (JP)**

(73) **Assignee:** **Konica Corporation, Tokyo (JP)**

(\*\*) **Term:** **14 Years**

(21) **Appl. No.:** **29/161,887**

(22) **Filed:** **Jun. 5, 2002**

(30) **Foreign Application Priority Data**

Dec. 7, 2001 (JP) ..... 2001-036137

(51) **LOC (7) Cl.** ..... **16-01**

(52) **U.S. Cl.** ..... **D16/209; D16/218**

(58) **Field of Search** ..... **D16/200-206, D16/208, 209, 218; 396/6, 7, 535-541**

(56) **References Cited**

**U.S. PATENT DOCUMENTS**

D415,512 S \* 10/1999 Takaba ..... D16/209

D430,889 S \* 9/2000 Nihei ..... D16/209  
6,343,185 B1 \* 1/2002 Aoshima et al. .... 396/6  
D462,373 S \* 9/2002 Nihei et al. .... D16/209  
D462,707 S \* 9/2002 Nihei ..... D16/209

\* cited by examiner

*Primary Examiner*—Adir Aronovich

(74) *Attorney, Agent, or Firm*—Frishauf, Holtz, Goodman & Chick, P.C.

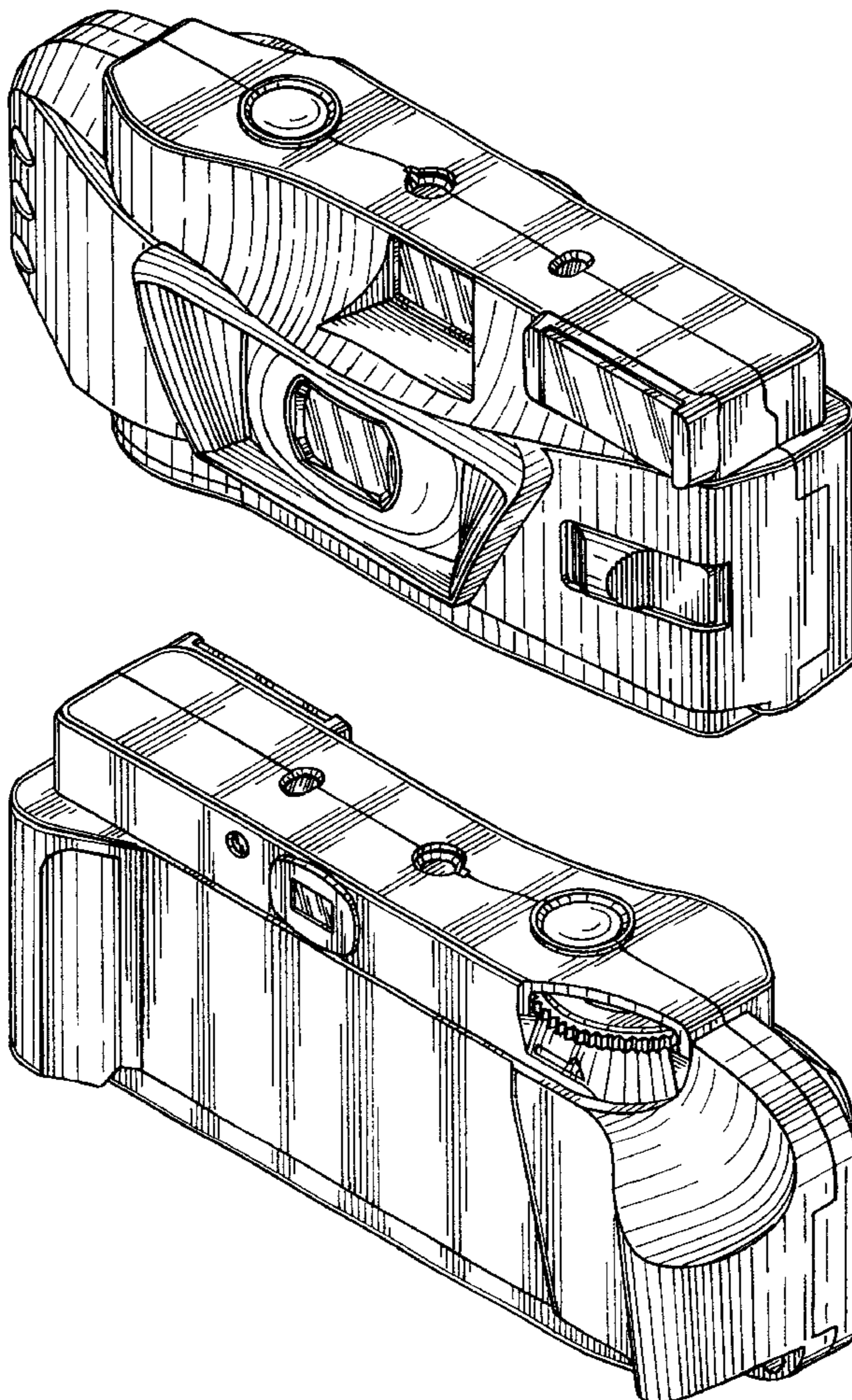
(57) **CLAIM**

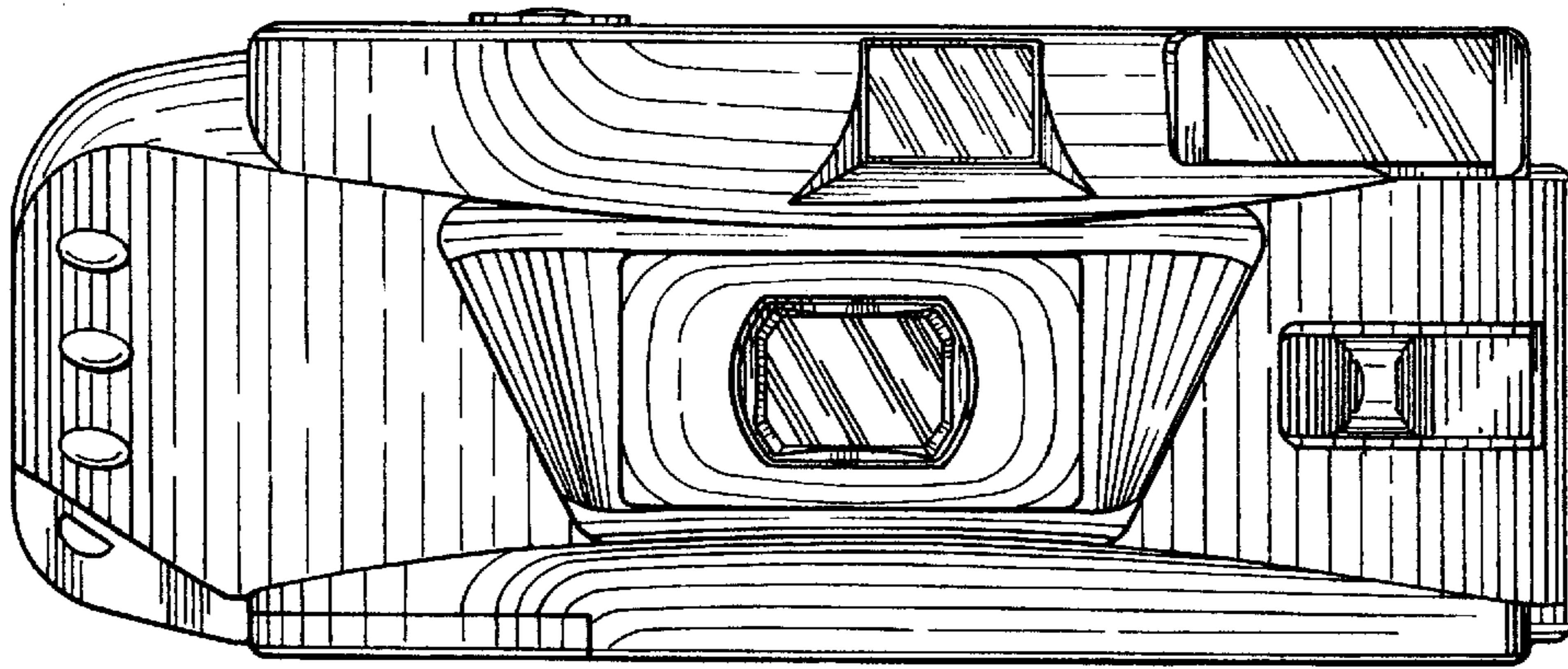
The ornamental design for a camera, as shown.

**DESCRIPTION**

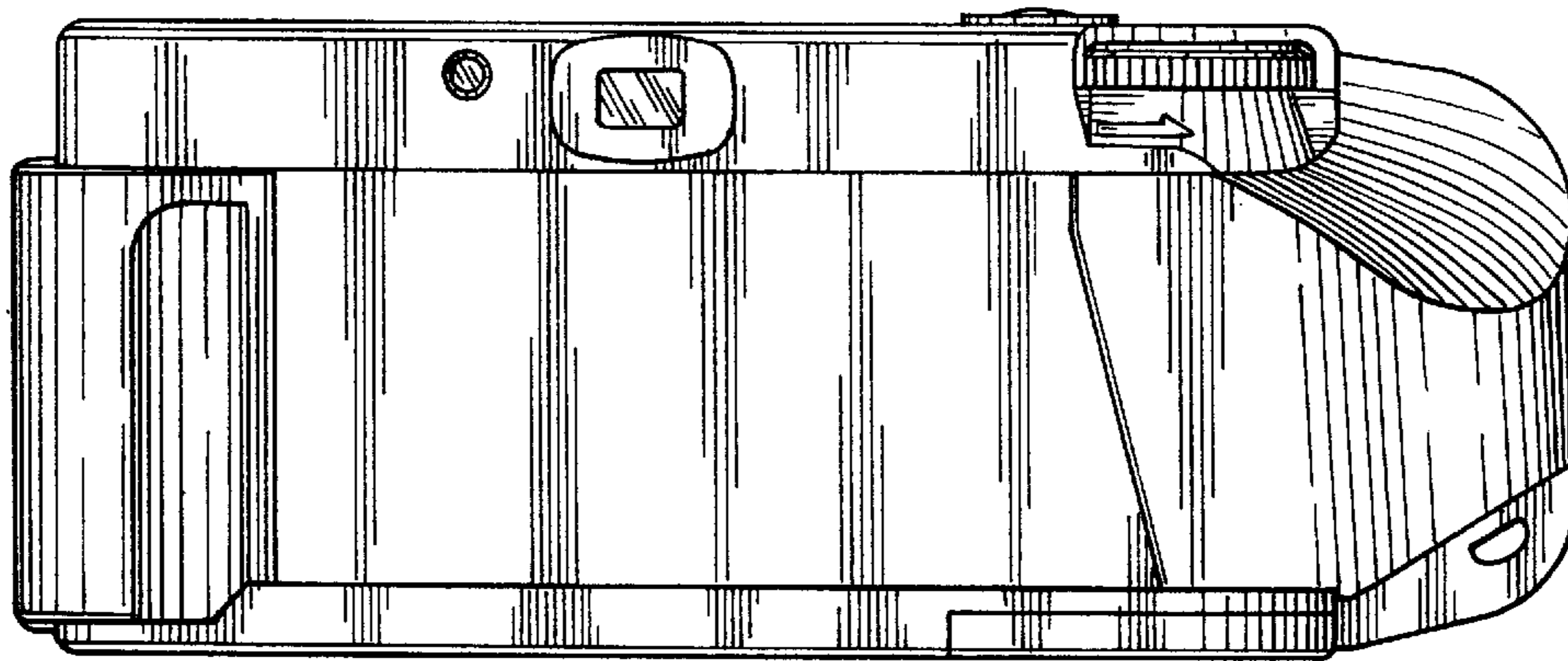
FIG. 1 is a front view of a camera showing our new design; FIG. 2 is a rear view thereof; FIG. 3 is a top plan view thereof; FIG. 4 is a bottom plan view thereof; FIG. 5 is a right side elevational view thereof; FIG. 6 is a left side elevational view thereof; and FIG. 7 is a front, top, right side perspective view thereof; and, FIG. 8 is a rear, top, left side perspective view thereof.

**1 Claim, 2 Drawing Sheets**

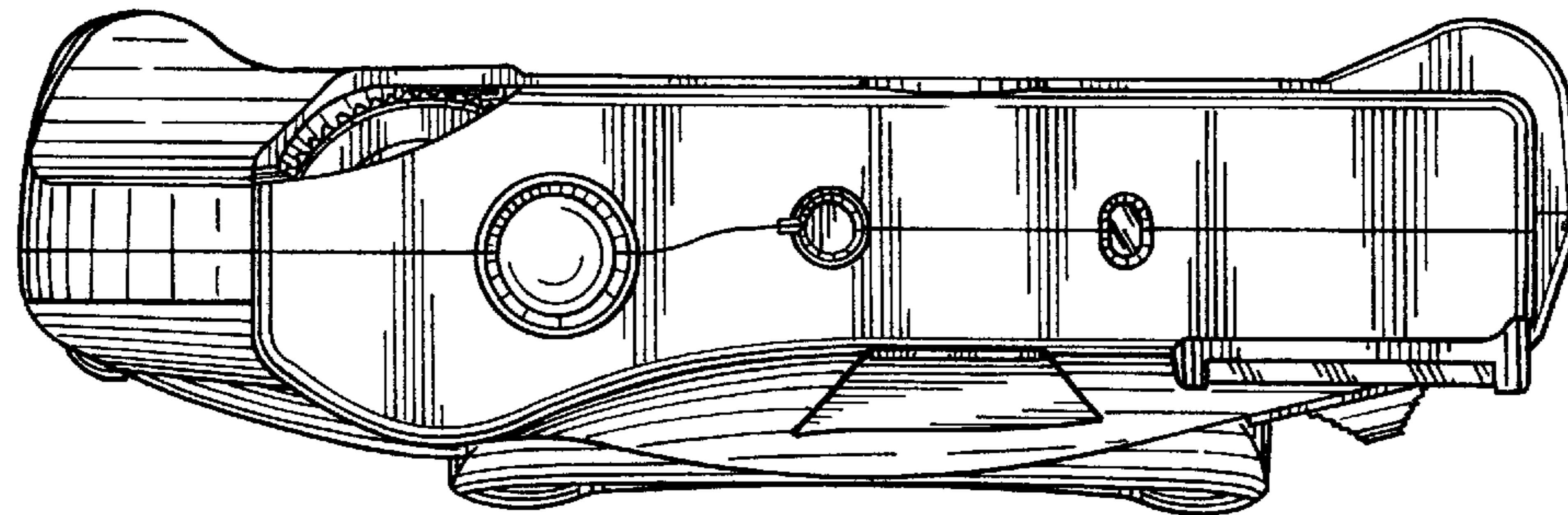




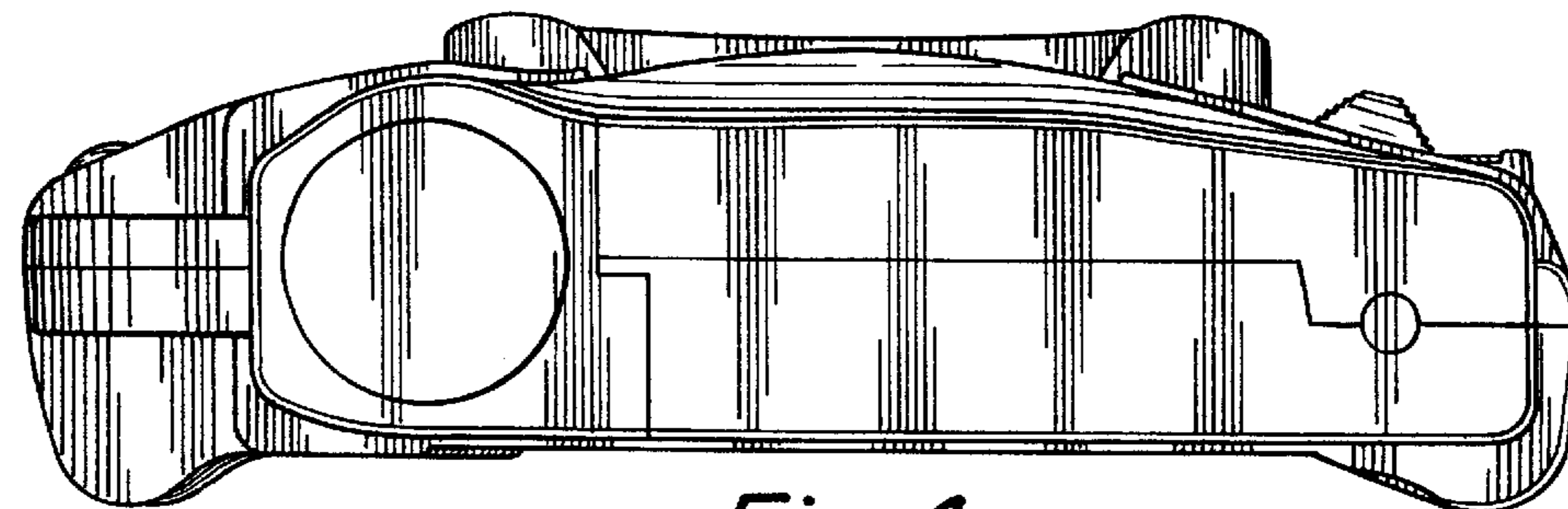
*Fig. 1*



*Fig. 2*

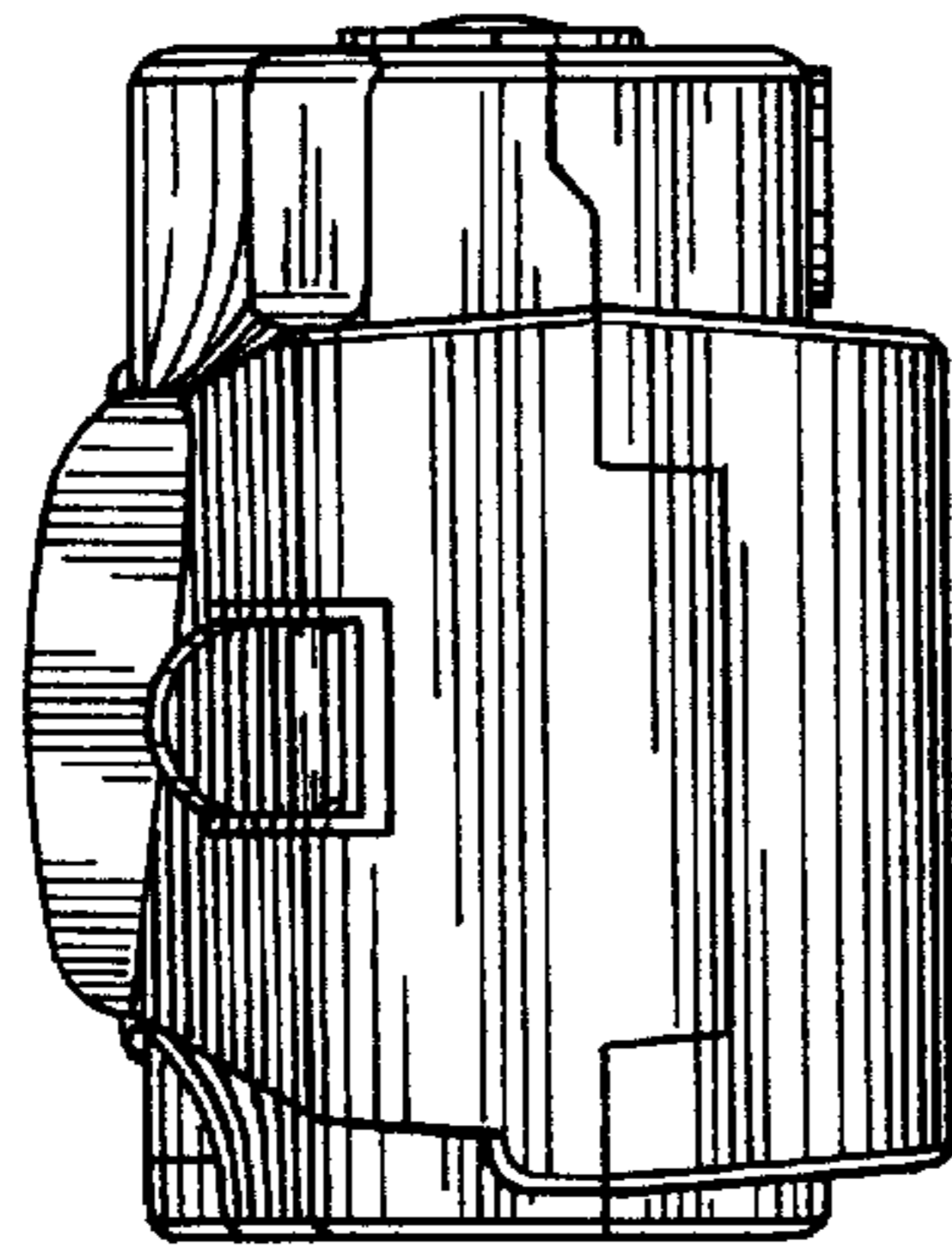


*Fig. 3*

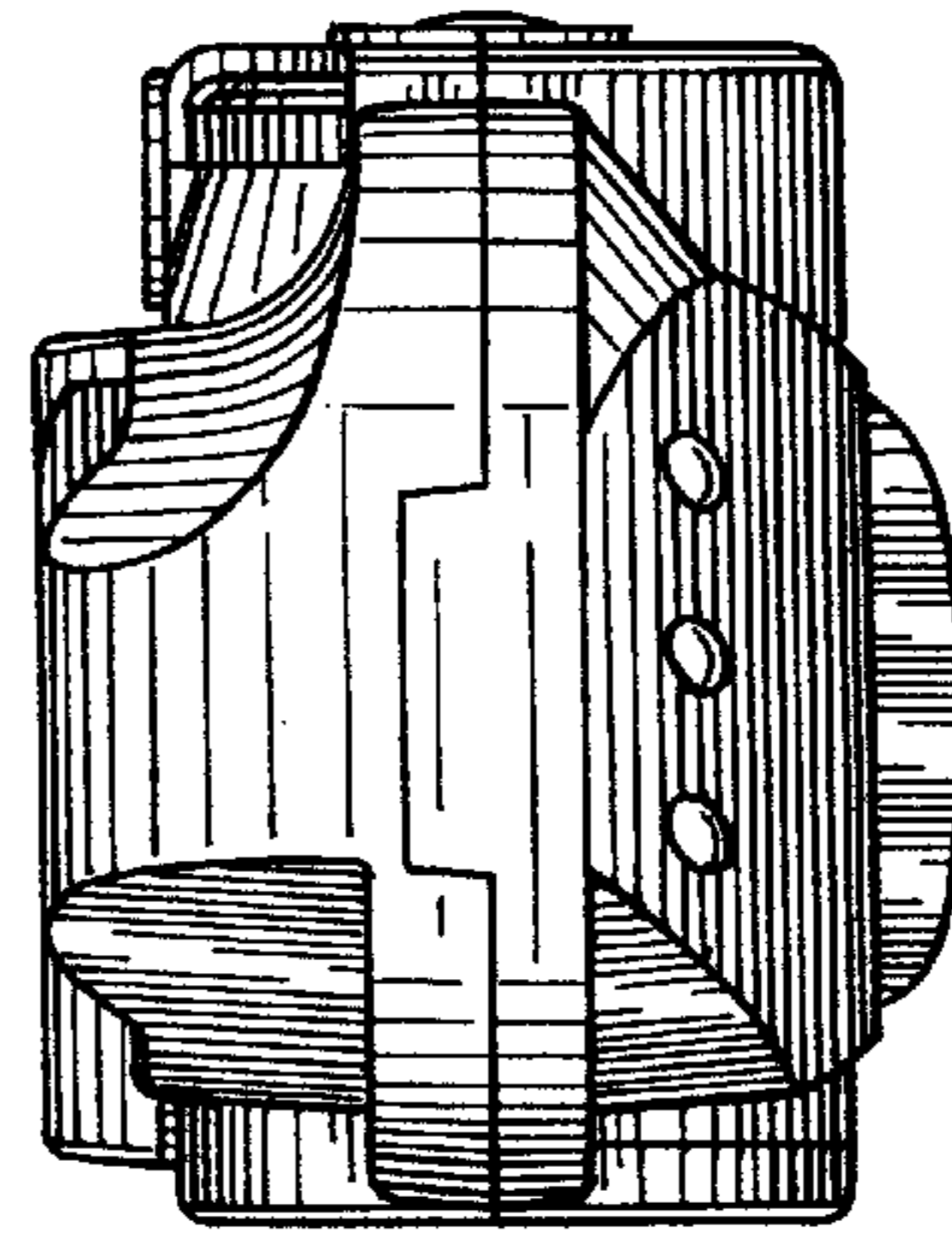


*Fig. 4*

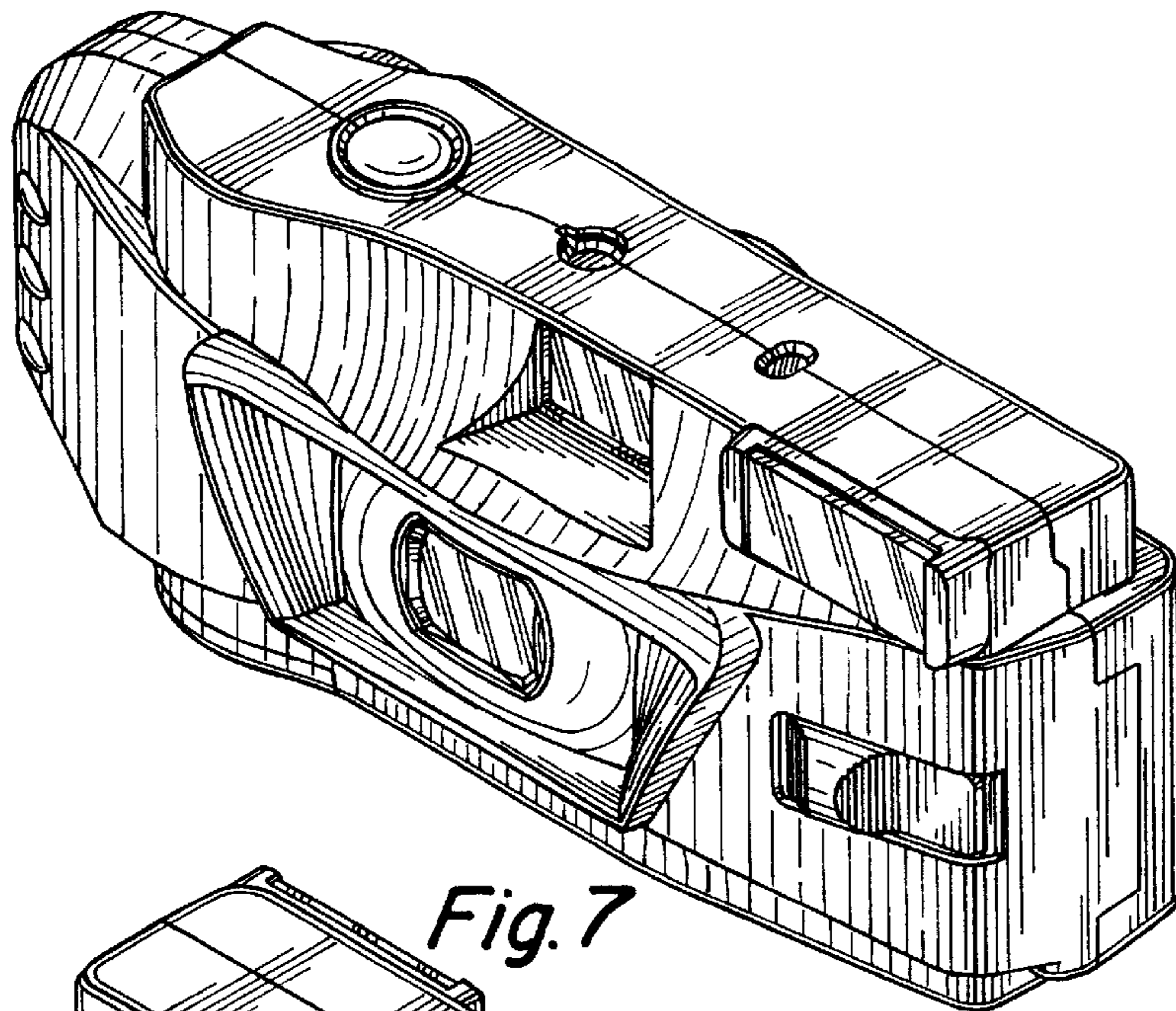




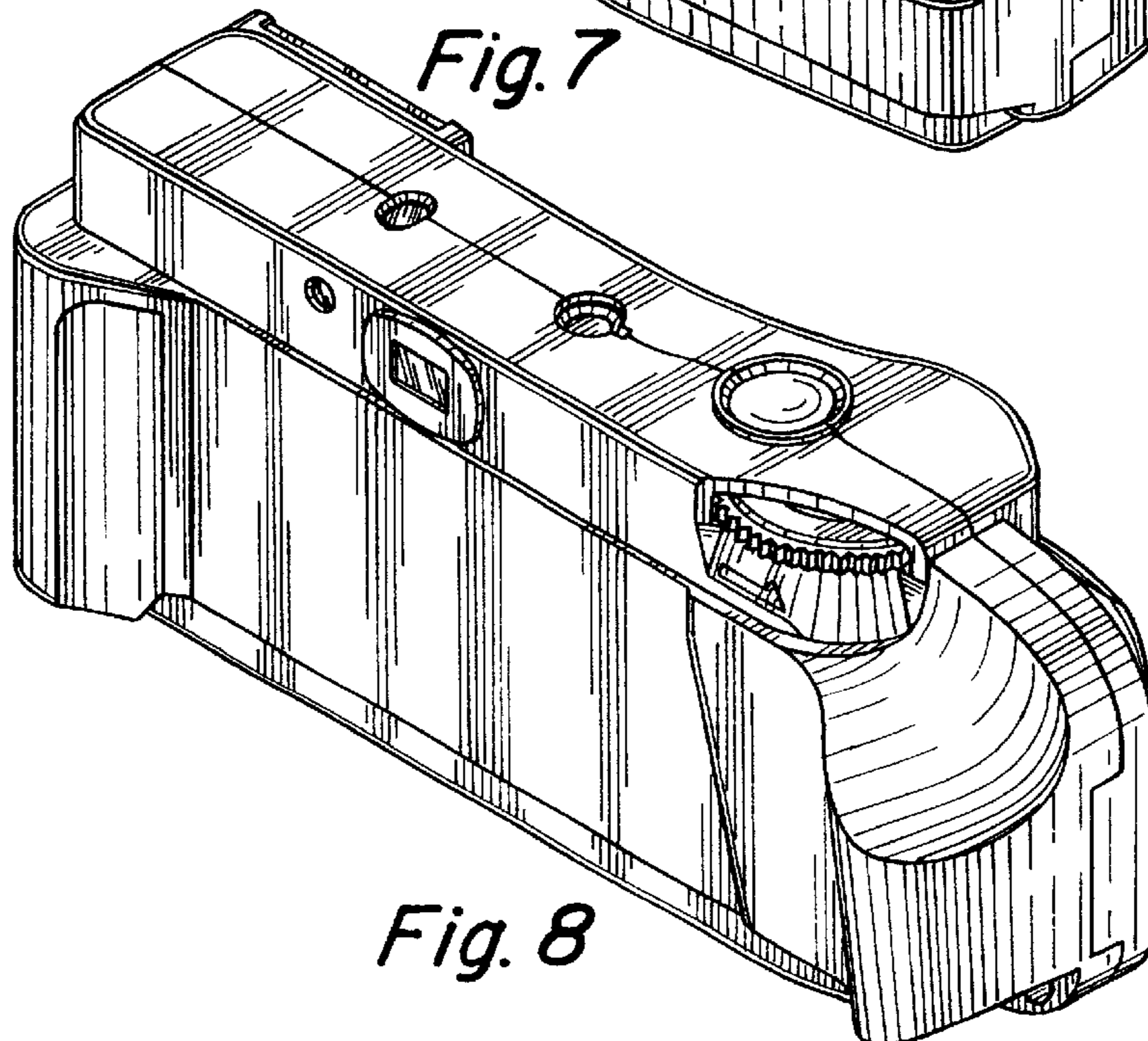
*Fig. 5*



*Fig. 6*



*Fig. 7*



*Fig. 8*