



US00D476671S

(12) **United States Design Patent**
van Schaik et al.

(10) **Patent No.: US D476,671 S**

(45) **Date of Patent: ** Jul. 1, 2003**

(54) **OBSERVATION/SECURITY CAMERA**

(76) Inventors: **Sander-Willem van Schaik**,
Kwartelstraat 38bis, Utrecht (NL), 3514
EW; **Peter John Doodson**, Warmelo 9,
Eindhoven (NL), 5655 JZ; **Tom**
Philippe Jean Jacques Delaey,
Salviapad 21, Eindhoven (NL), 5643BX

(**) Term: **14 Years**

(21) Appl. No.: **29/153,634**

(22) Filed: **Jan. 11, 2002**

(30) **Foreign Application Priority Data**

Jul. 25, 2001 (WO) DMA/005 400

(51) **LOC (7) Cl. 16-01**

(52) **U.S. Cl. D16/203**

(58) **Field of Search** D16/200-205,
D16/208, 218; 348/143, 151, 373-376;
396/427, 535-541

(56) **References Cited**

U.S. PATENT DOCUMENTS

3,285,151 A * 11/1966 Black 348/143

D211,416 S * 6/1968 Bozarth D16/202
D218,072 S * 7/1970 Moreno D16/203
D223,410 S * 4/1972 Larson D16/202
D241,072 S * 8/1976 McMann et al. D16/202
5,589,875 A * 12/1996 Fujita et al. 348/143
5,940,122 A * 8/1999 Kizawa et al. 348/151
6,375,369 B1 * 4/2002 Schneider et al. 396/427

* cited by examiner

Primary Examiner—Adir Aronovich

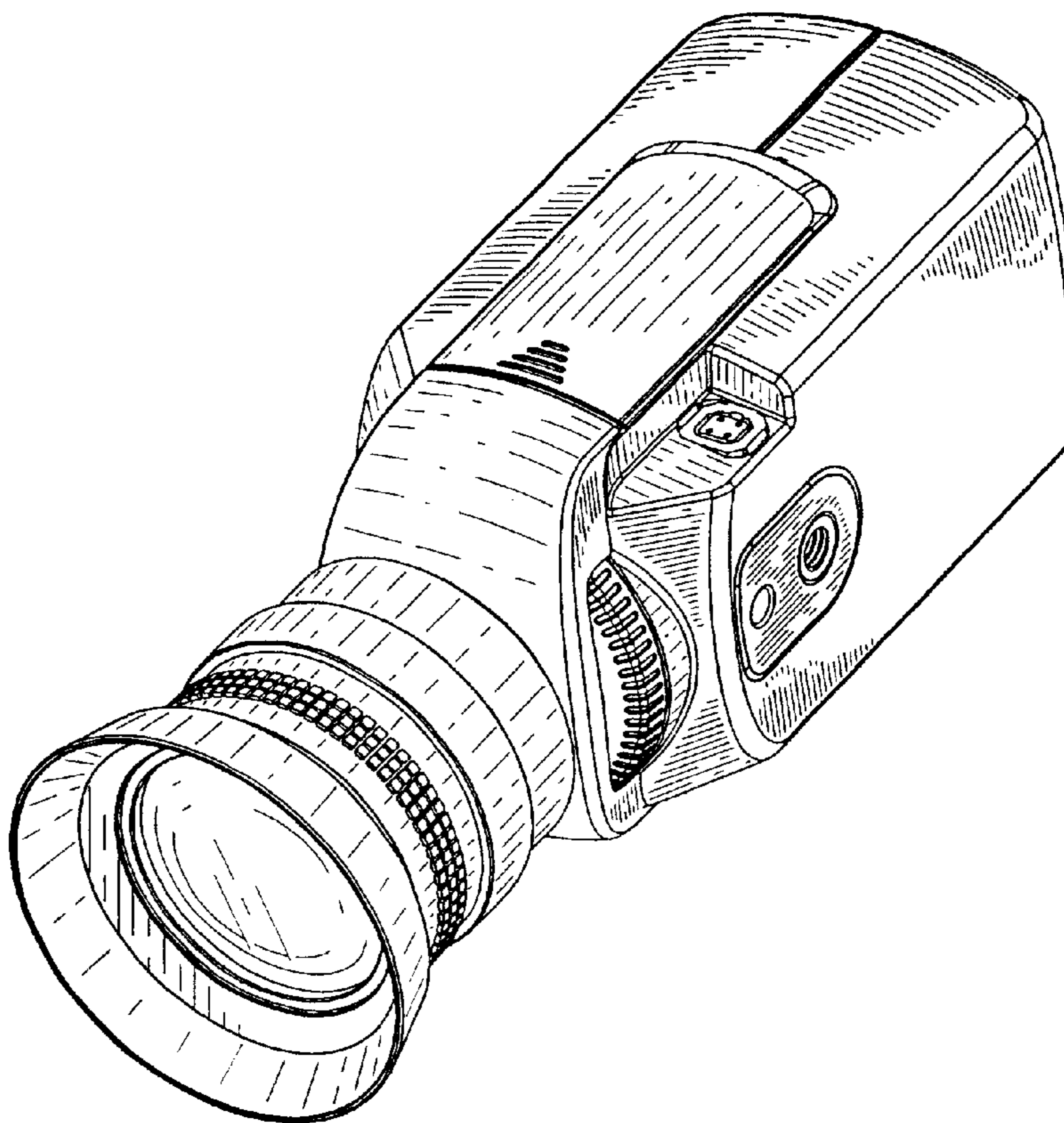
(57) **CLAIM**

The ornamental design for an observation/security camera,
as shown.

DESCRIPTION

FIG. 1 is a perspective view of an observation/security
camera showing our new design;
FIG. 2 is a front elevational view thereof;
FIG. 3 is a rear elevational view thereof;
FIG. 4 is a right side elevational view thereof;
FIG. 5 is a left side elevational view thereof;
FIG. 6 is a top plan view thereof; and,
FIG. 7 is a bottom plan view thereof.

1 Claim, 5 Drawing Sheets



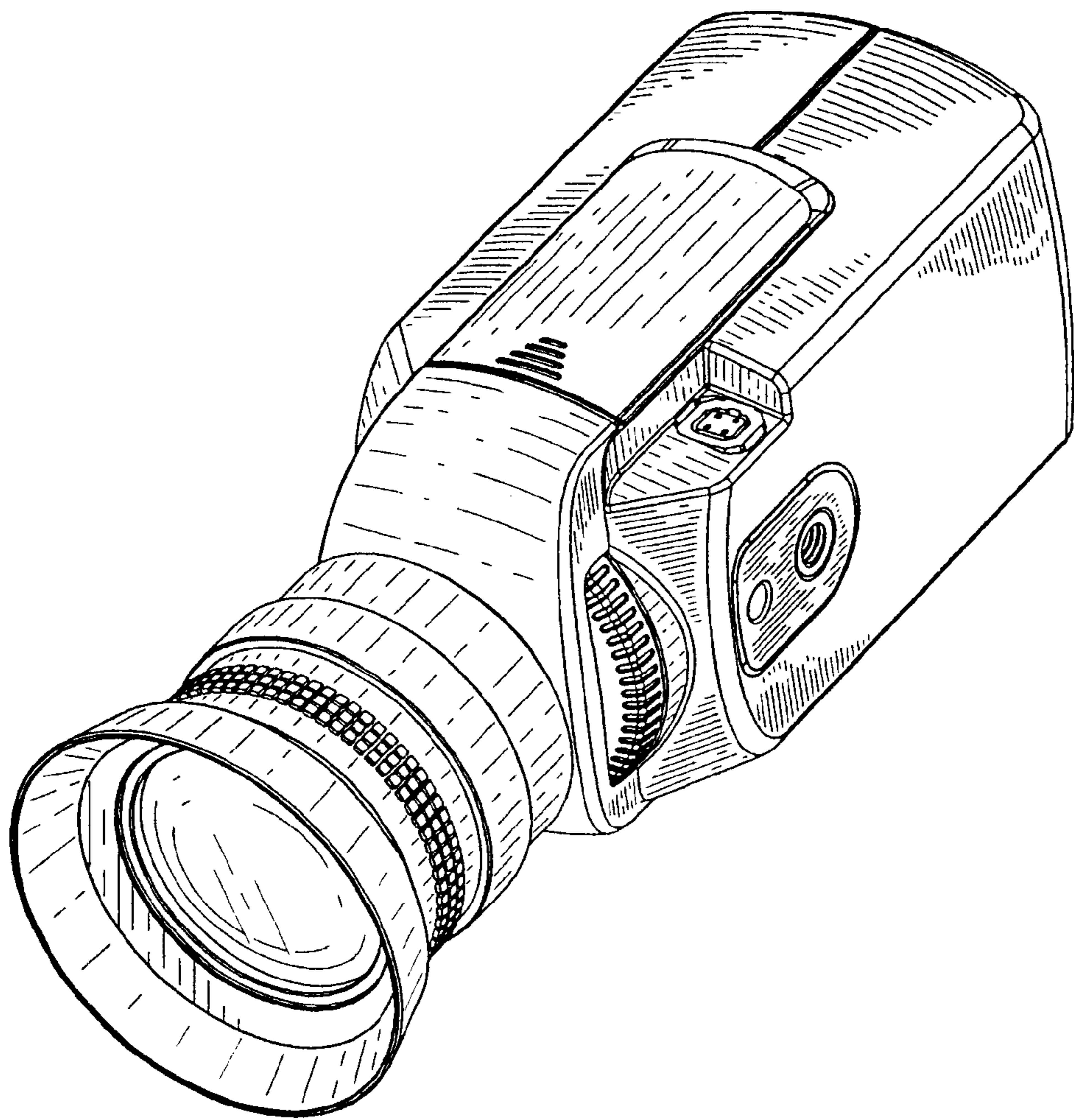


FIG. 1

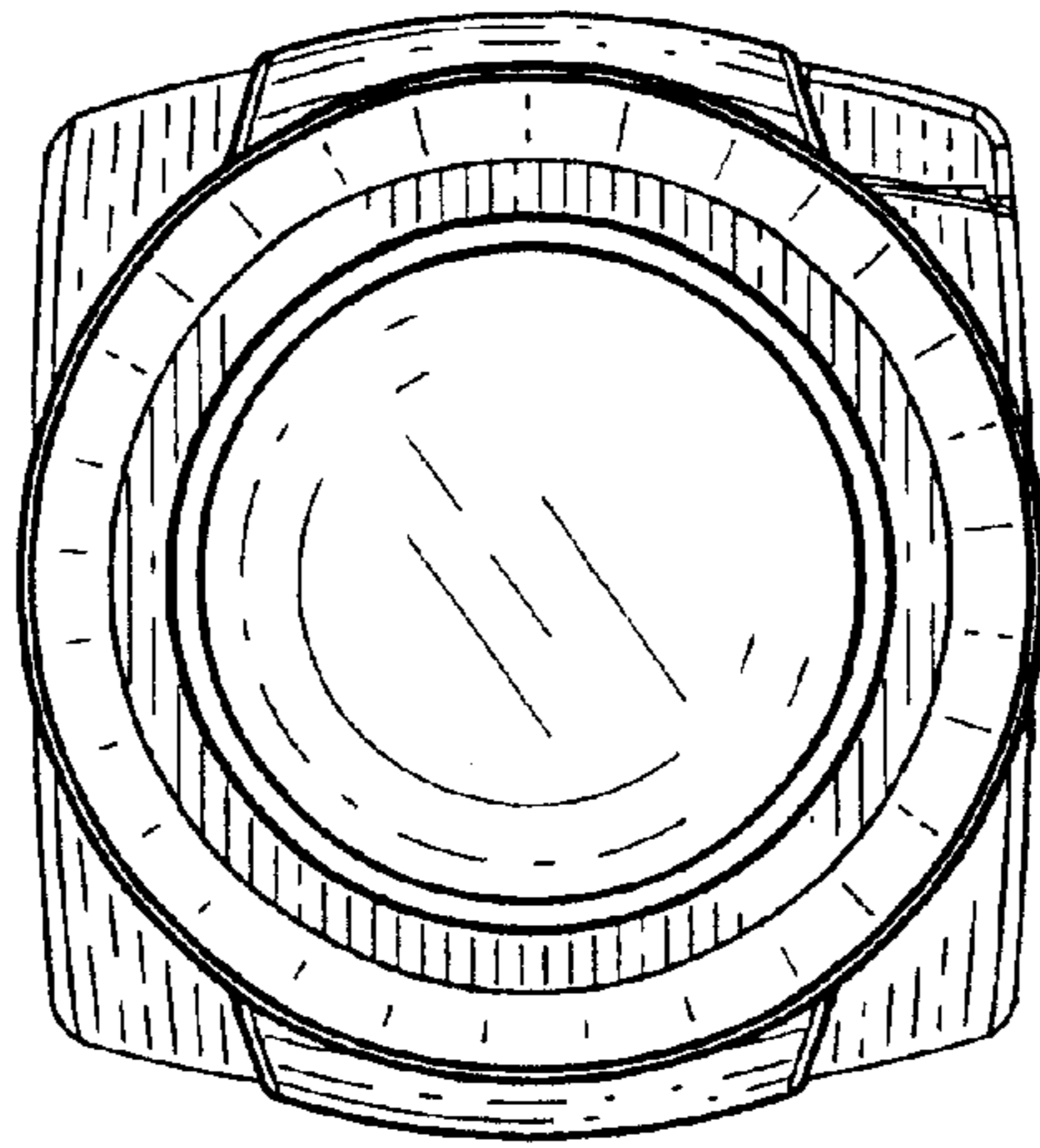


FIG. 2

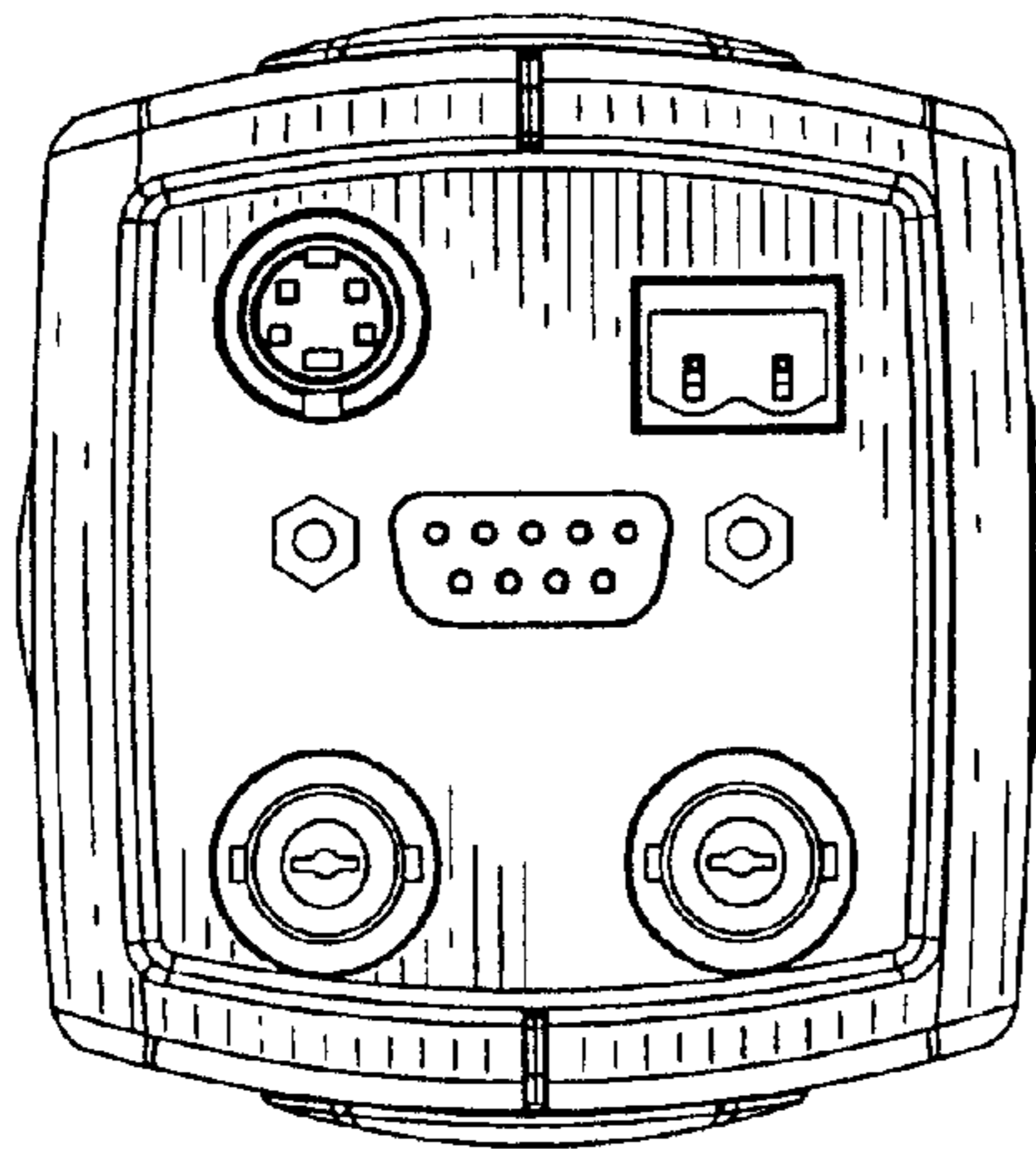


FIG. 3

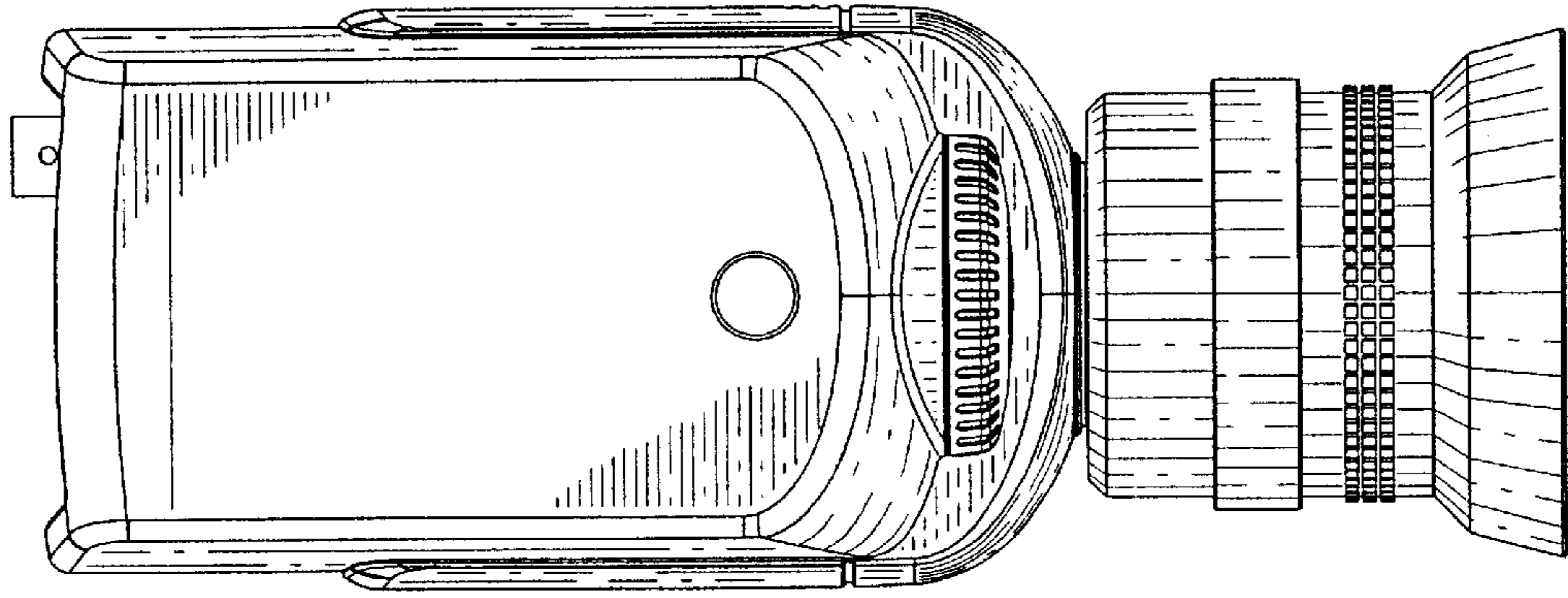


FIG. 4

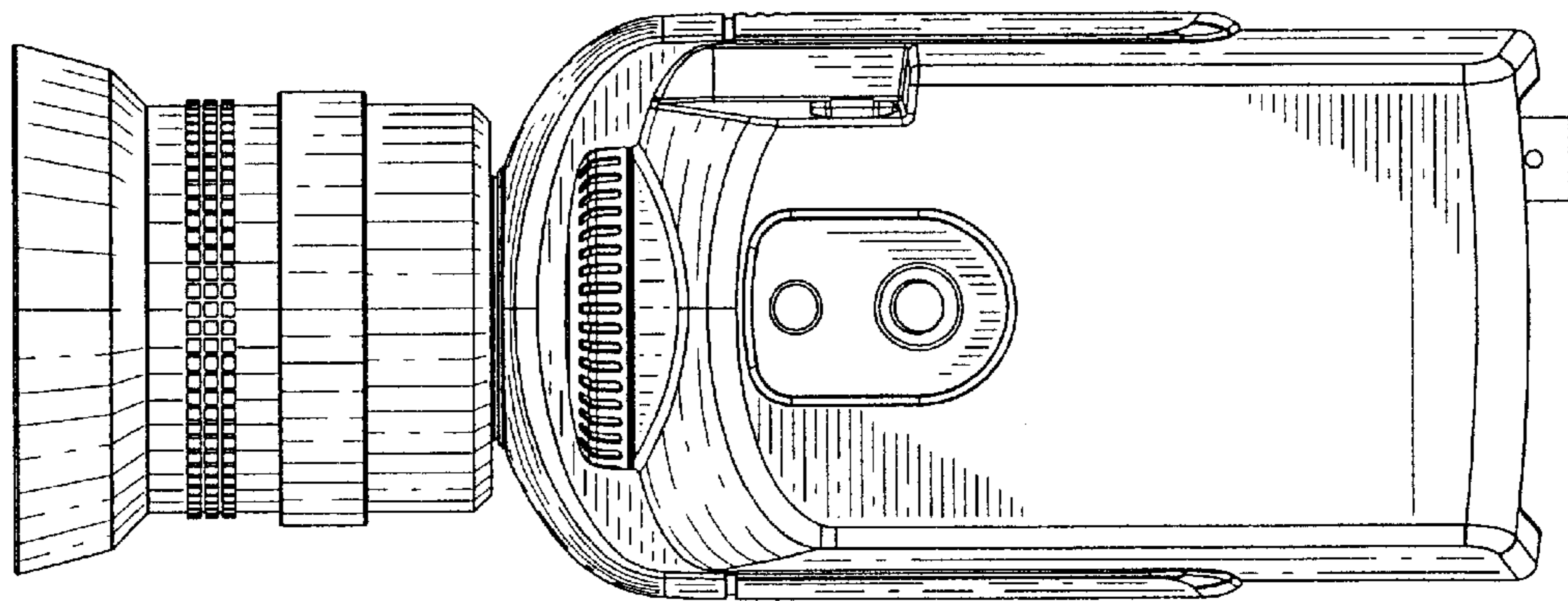


FIG. 5

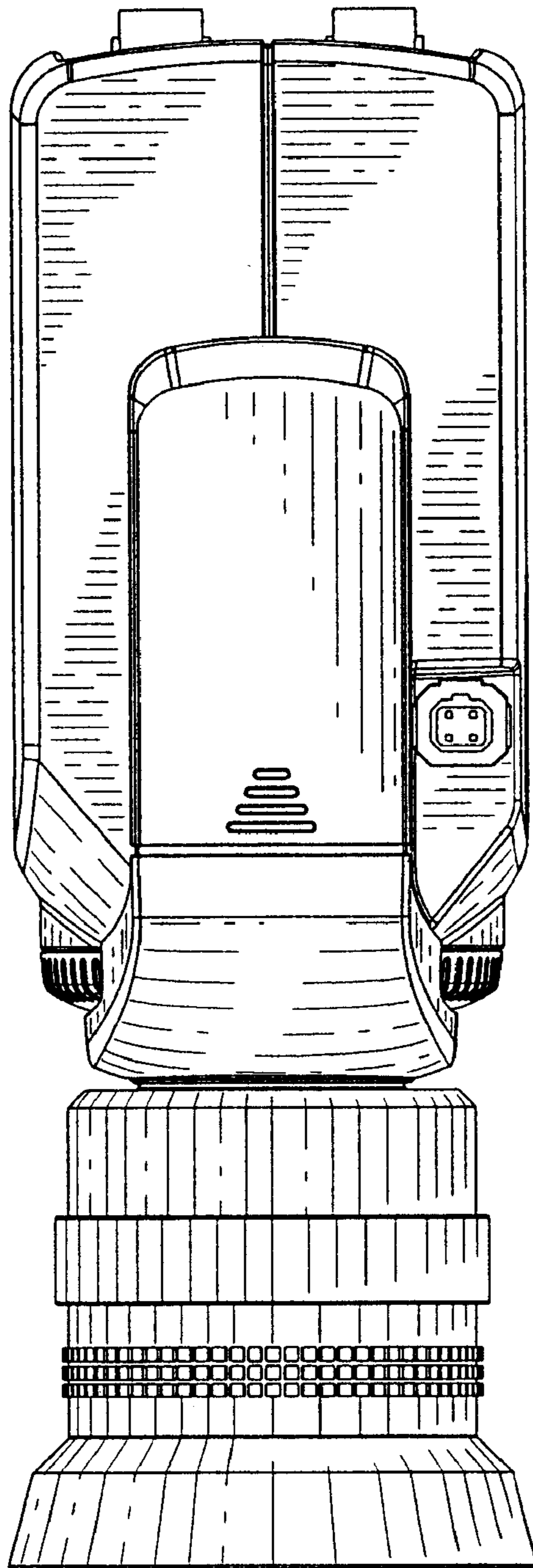


FIG.6

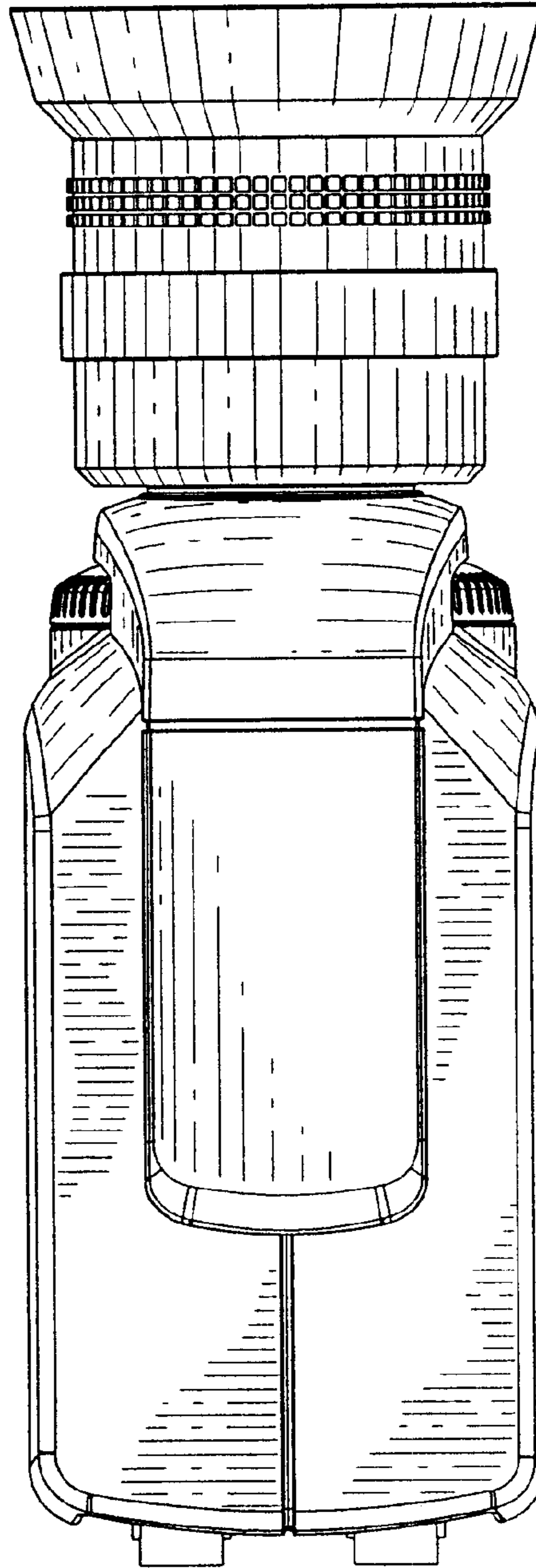


FIG.7