



US00D476670S

(12) **United States Design Patent**
Adamson et al.

(10) **Patent No.:** **US D476,670 S**

(45) **Date of Patent:** **** Jul. 1, 2003**

(54) **SUB SEA TORQUE TOOL**

(75) **Inventors:** **James E. Adamson**, West Palm Beach, FL (US); **Steven R. Rowley**, York, ME (US)

(73) **Assignee:** **Ocean Works International**, Houston, TX (US)

(**) **Term:** **14 Years**

(21) **Appl. No.:** **29/160,289**

(22) **Filed:** **May 7, 2002**

(51) **LOC (7) Cl.** **15-99**

(52) **U.S. Cl.** **D15/199**

(58) **Field of Search** D8/61; D15/122, D15/199; D21/578; 414/706, 735, 909, 917, 744.3; 700/261; 701/21, 23; 901/1, 2, 14, 15, 23, 25, 31, 32

(56) **References Cited**

U.S. PATENT DOCUMENTS

4,435,120 A * 3/1984 Ikeda et al. 414/735

4,547,121 A * 10/1985 Nesmith 901/25

5,062,761 A * 11/1991 Glachet 414/729

5,100,284 A * 3/1992 Boisseau 414/744.3

5,158,141 A * 10/1992 Saliger et al. 166/341

D410,477 S * 6/1999 Nihei et al. D15/199

* cited by examiner

Primary Examiner—Doris V. Coles

Assistant Examiner—Elizabeth Albert

(74) *Attorney, Agent, or Firm*—McHale & Slavin, P.A.

(57) **CLAIM**

The ornamental design for a sub sea torque tool, as shown and described.

DESCRIPTION

FIG. 1 is a top plan view of the sub sea torque tool of the instant invention;

FIG. 2 is a front/bottom perspective view thereof;

FIG. 3 is a front/side perspective view thereof;

FIG. 4 is a rear/top perspective view thereof;

FIG. 5 is a front end view thereof; and,

FIG. 6 is a rear end view thereof.

1 Claim, 5 Drawing Sheets

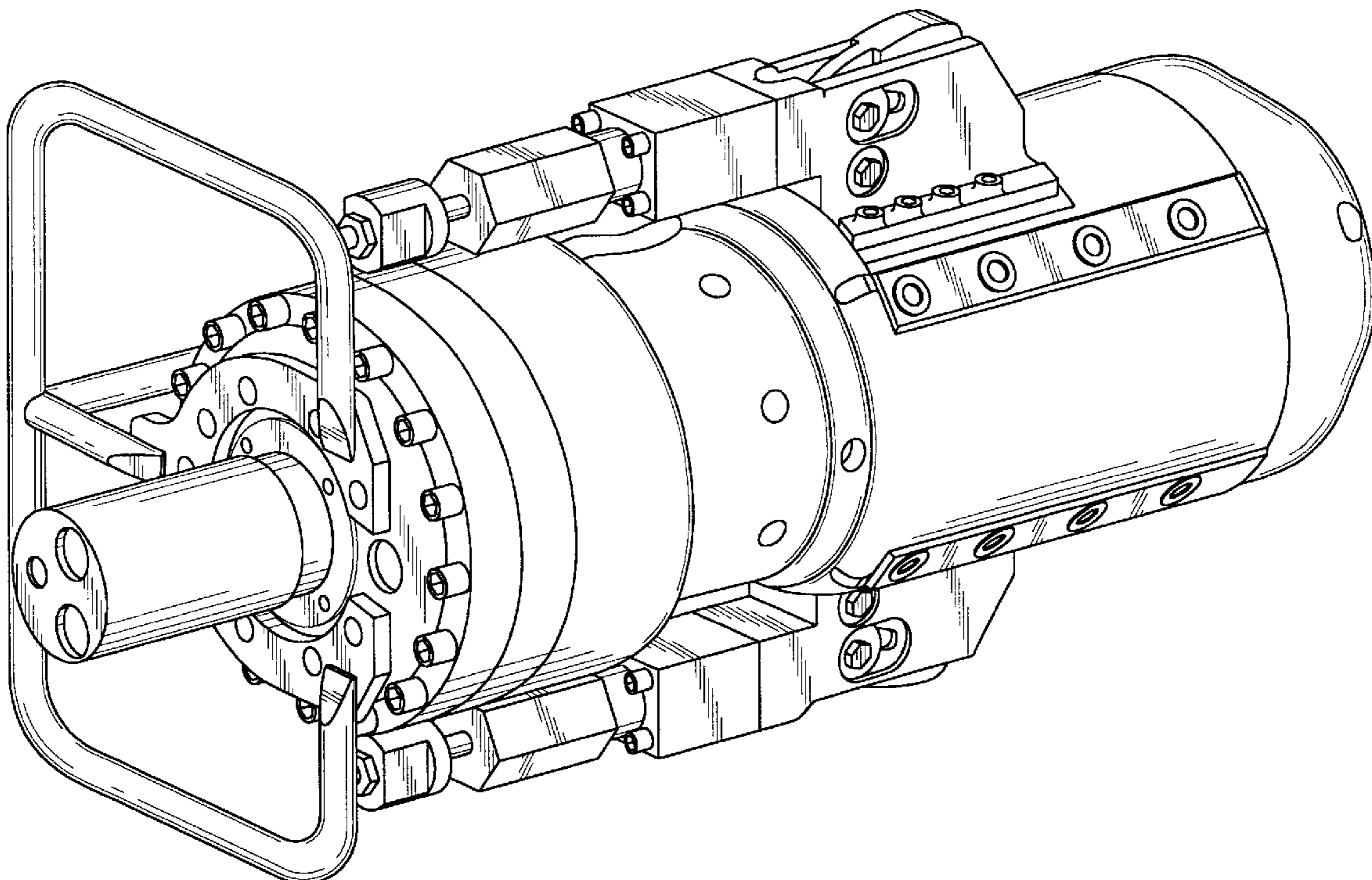


FIG. 1

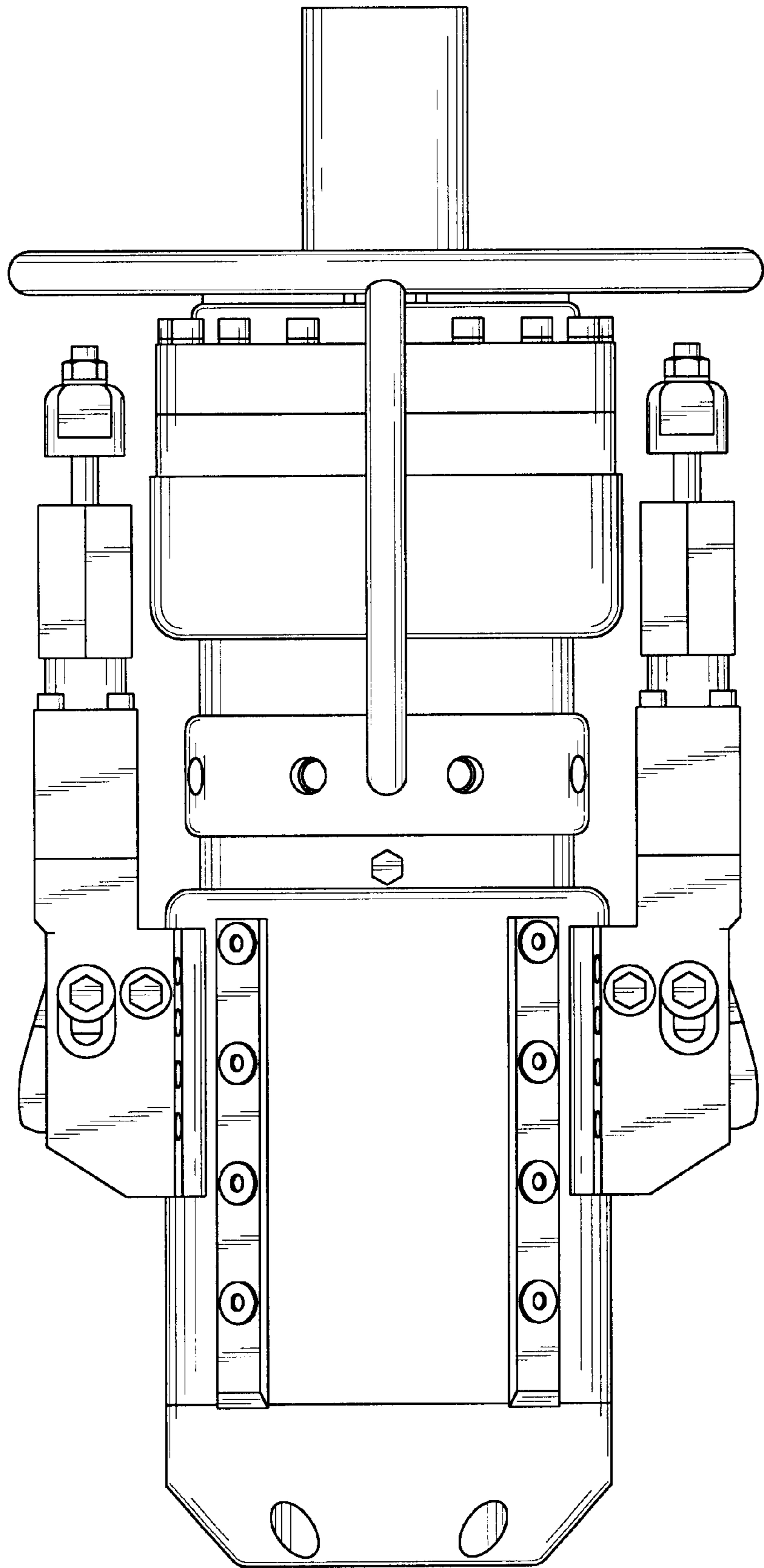


FIG. 2

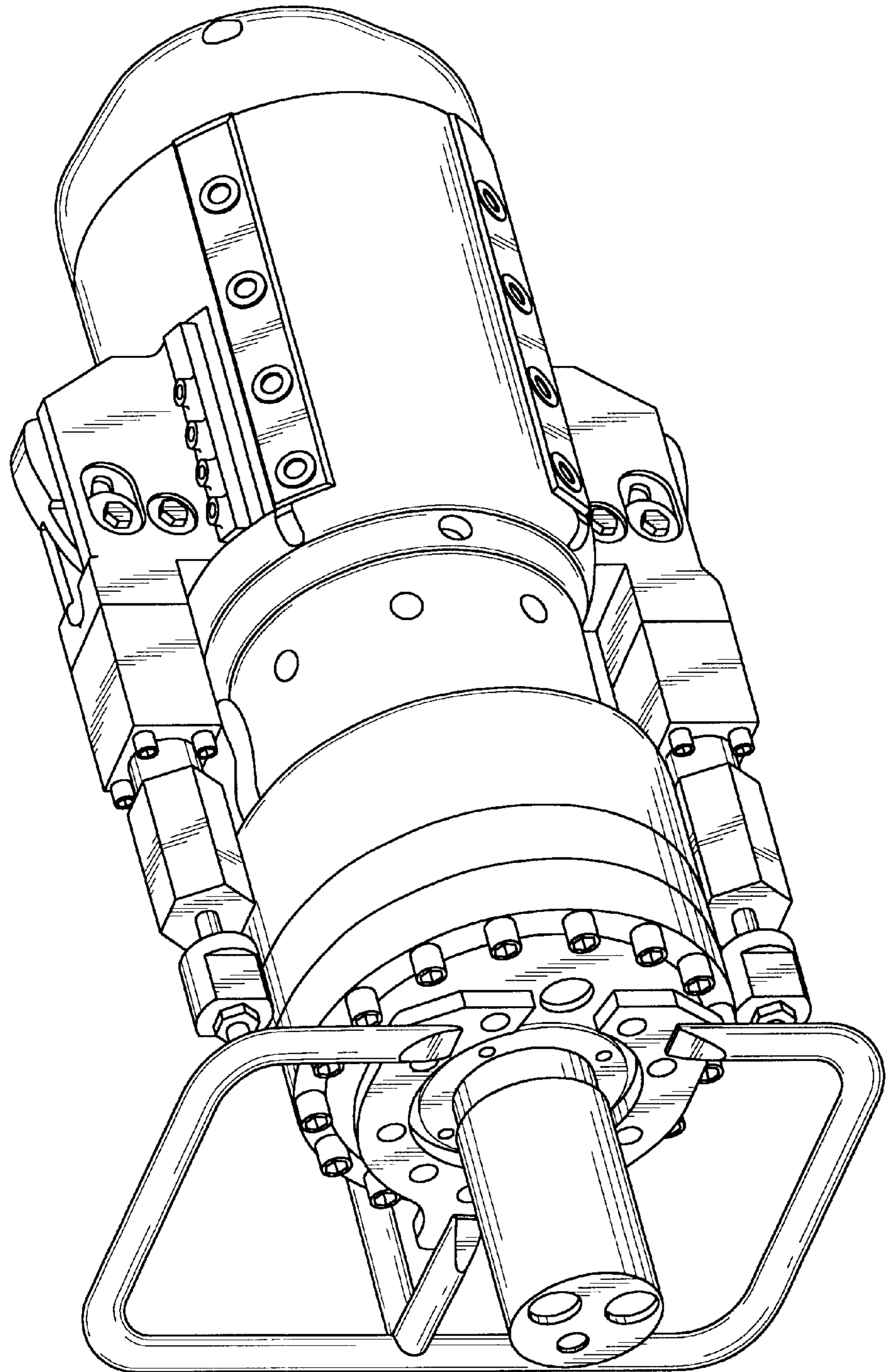


FIG. 3

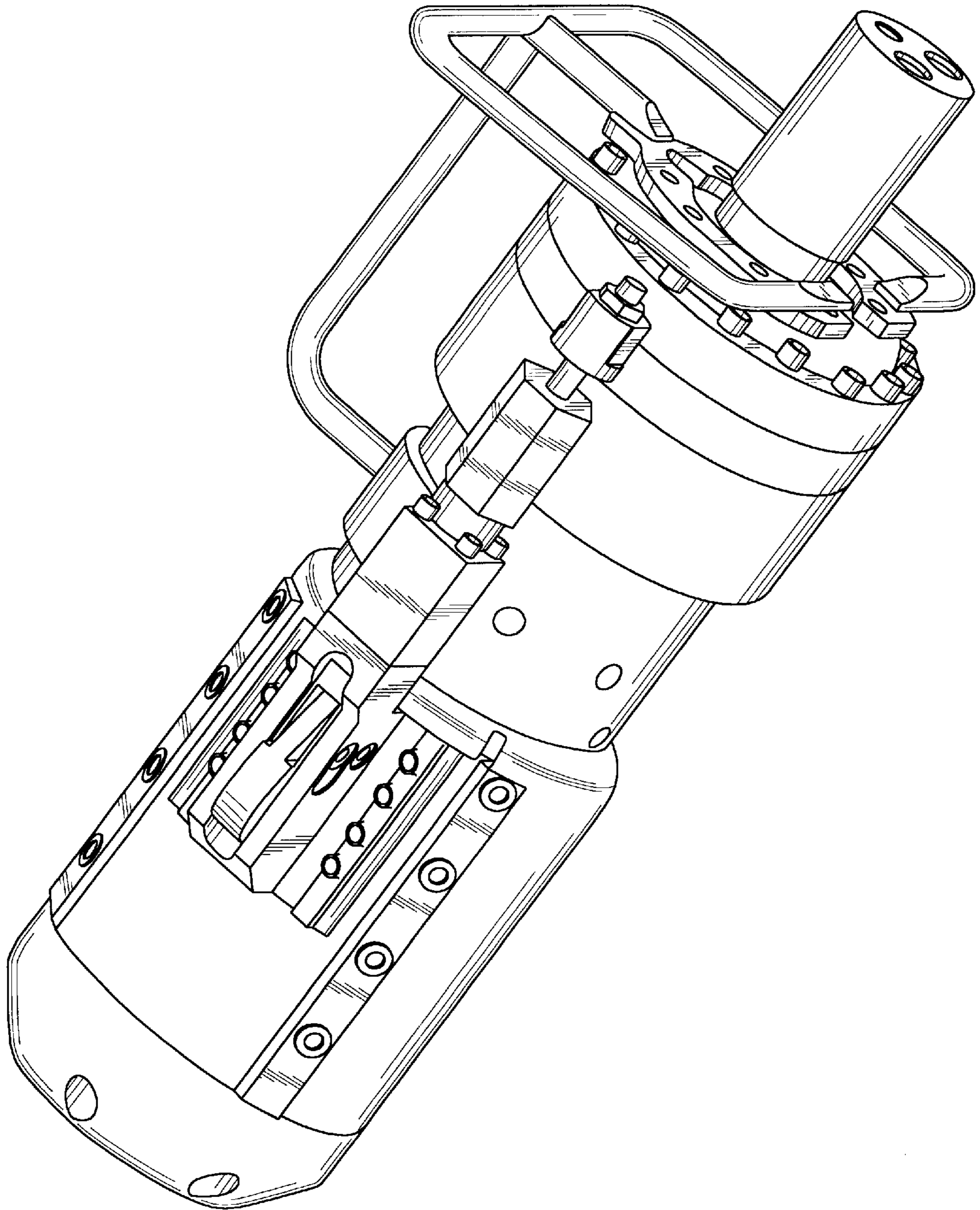


FIG. 4

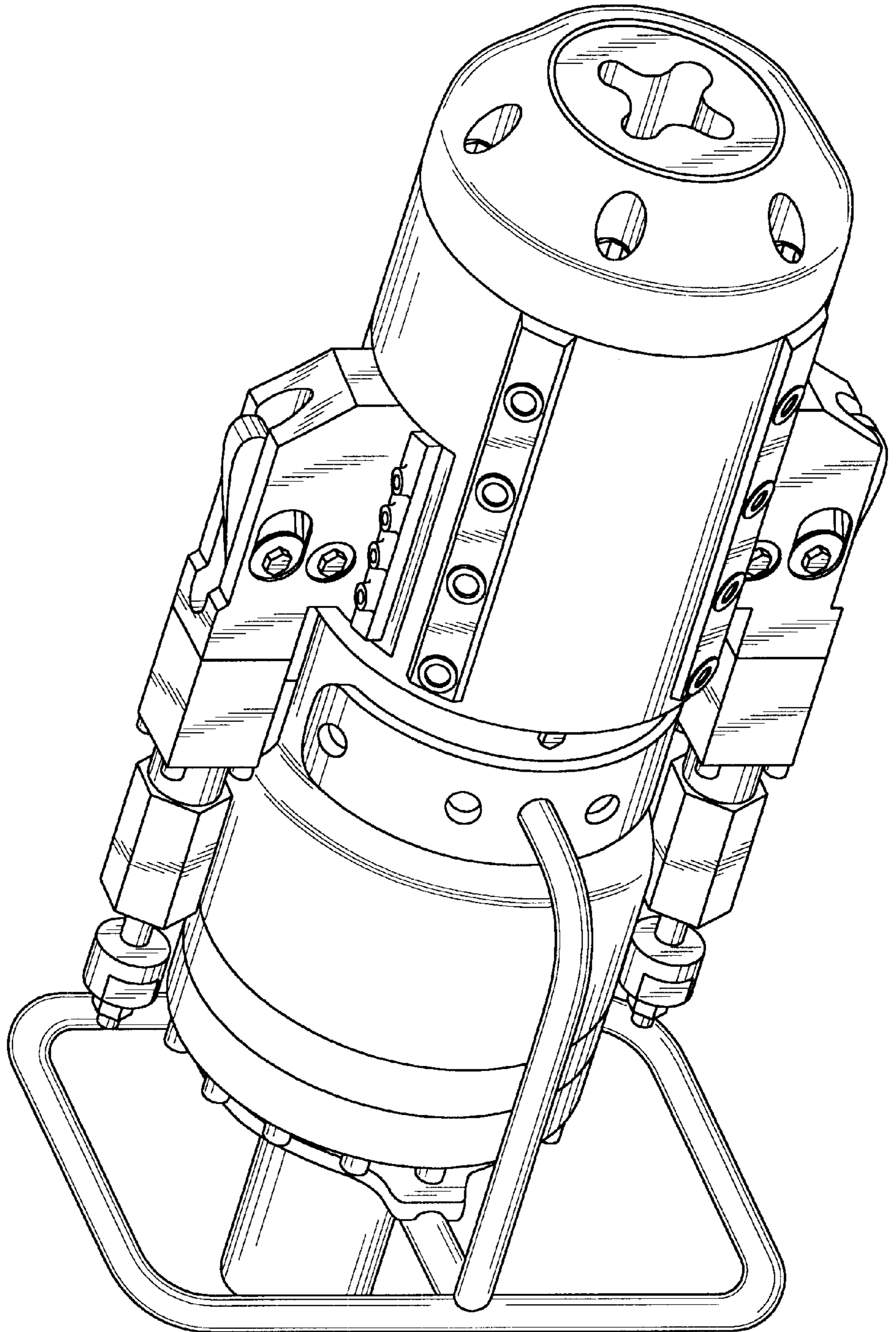


FIG. 6

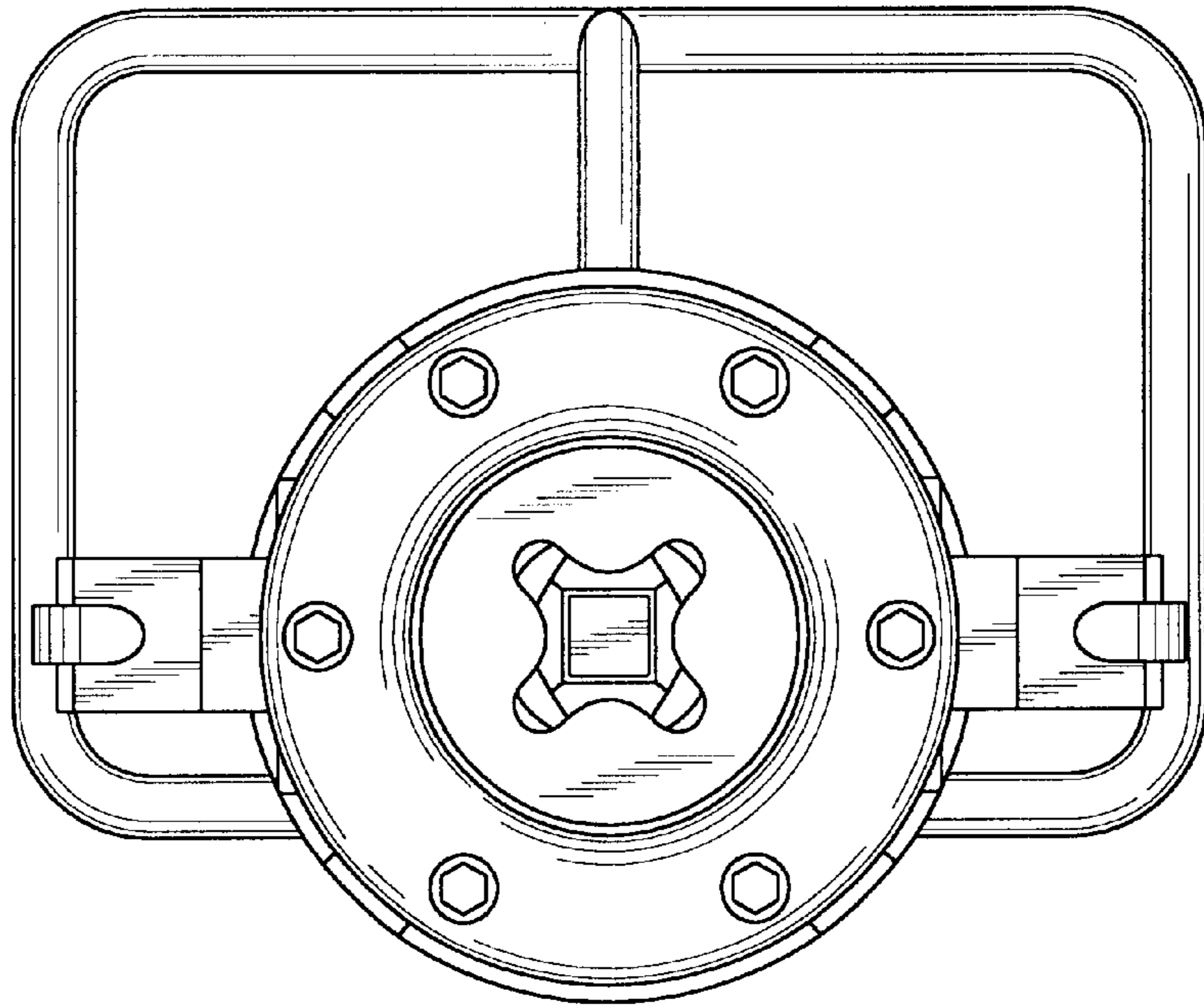


FIG. 5

