



US00D476669S

(12) **United States Design Patent**  
**Andersson et al.**

(10) **Patent No.:** **US D476,669 S**

(45) **Date of Patent:** **\*\* Jul. 1, 2003**

(54) **CUTTING INSERT**

(75) Inventors: **Claes Andersson**, Valbo (SE); **Håkan Fransson**, Gävle (SE)

(73) Assignee: **Sandvik AB**, Sandviken (SE)

(\*\*) Term: **14 Years**

(21) Appl. No.: **29/164,703**

(22) Filed: **Jul. 31, 2002**

(30) **Foreign Application Priority Data**

Jan. 31, 2002 (SE) ..... 02-0170  
Jan. 31, 2002 (SE) ..... 02-0182

(51) **LOC (7) Cl.** ..... **15-09**

(52) **U.S. Cl.** ..... **D15/139**

(58) **Field of Search** ..... D15/139; 407/107-119

(56) **References Cited**

**U.S. PATENT DOCUMENTS**

D329,440 S \* 9/1992 Gustsson et al. .... D15/139  
D329,859 S \* 9/1992 Gustsson et al. .... D15/139

\* cited by examiner

*Primary Examiner*—Antoine Duval Davis

(74) *Attorney, Agent, or Firm*—Burns, Doane, Swecker & Mathis, L.L.P.

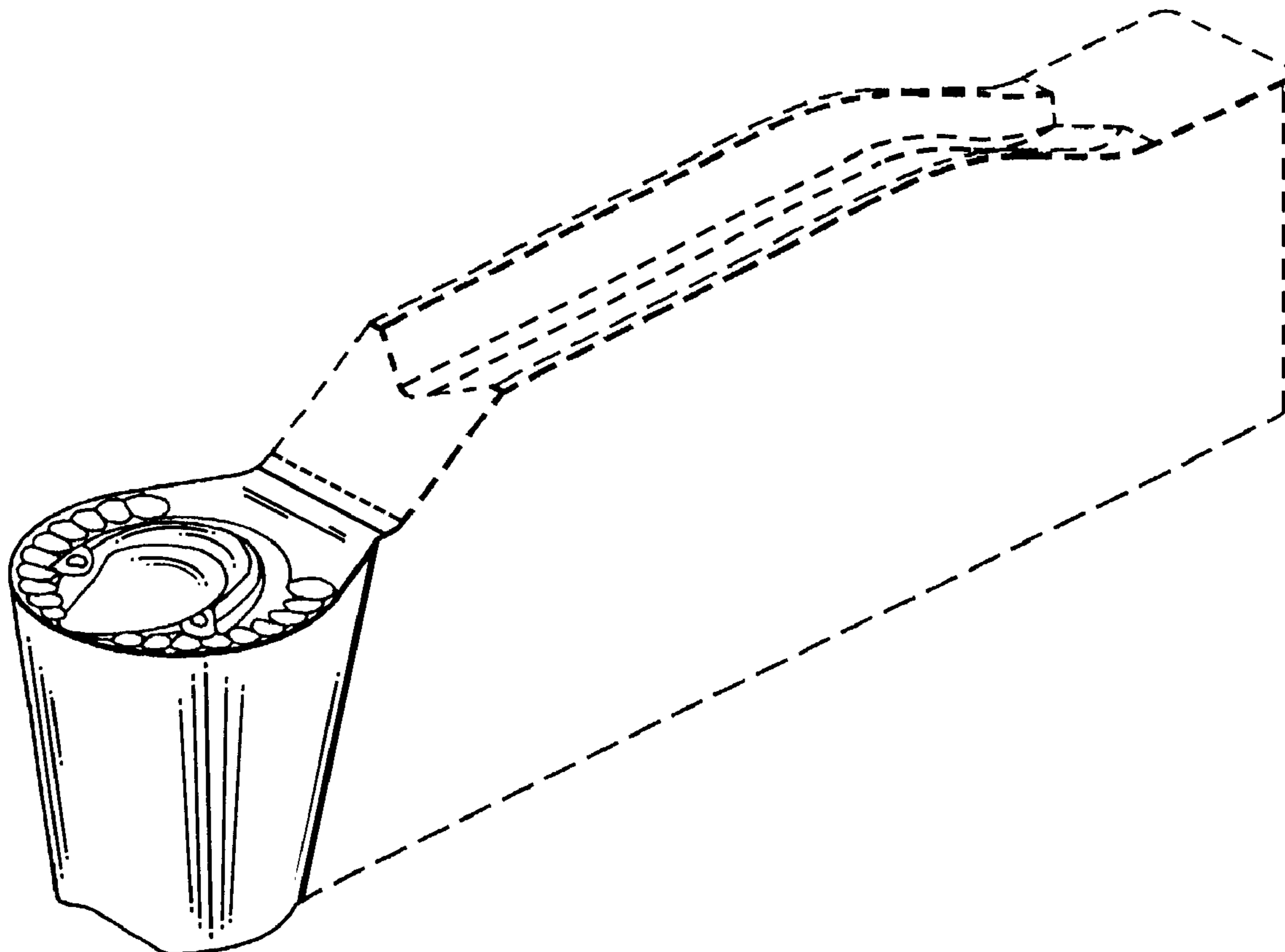
(57) **CLAIM**

The ornamental design for a cutting insert, as shown and described.

**DESCRIPTION**

FIG. 1 is a front, top perspective view of a cutting insert showing a first embodiment our new design.  
FIG. 2 is a top plan view thereof.  
FIG. 3 is a bottom plan view thereof.  
FIG. 4 is a right side elevational view thereof.  
FIG. 5 is a left side elevational view thereof.  
FIG. 6 is a front elevational view thereof.  
FIG. 7 is a front, top perspective view of a second embodiment of our new design.  
FIG. 8 is a top plan view thereof.  
FIG. 9 is a bottom plan view thereof.  
FIG. 10 is a right side elevational view thereof.  
FIG. 11 is a left side elevational view thereof; and,  
FIG. 12 is a front elevational view thereof.  
The broken line showing of portions of the cutting insert is for illustrative purposes only and form no part of the claimed design.

**1 Claim, 4 Drawing Sheets**



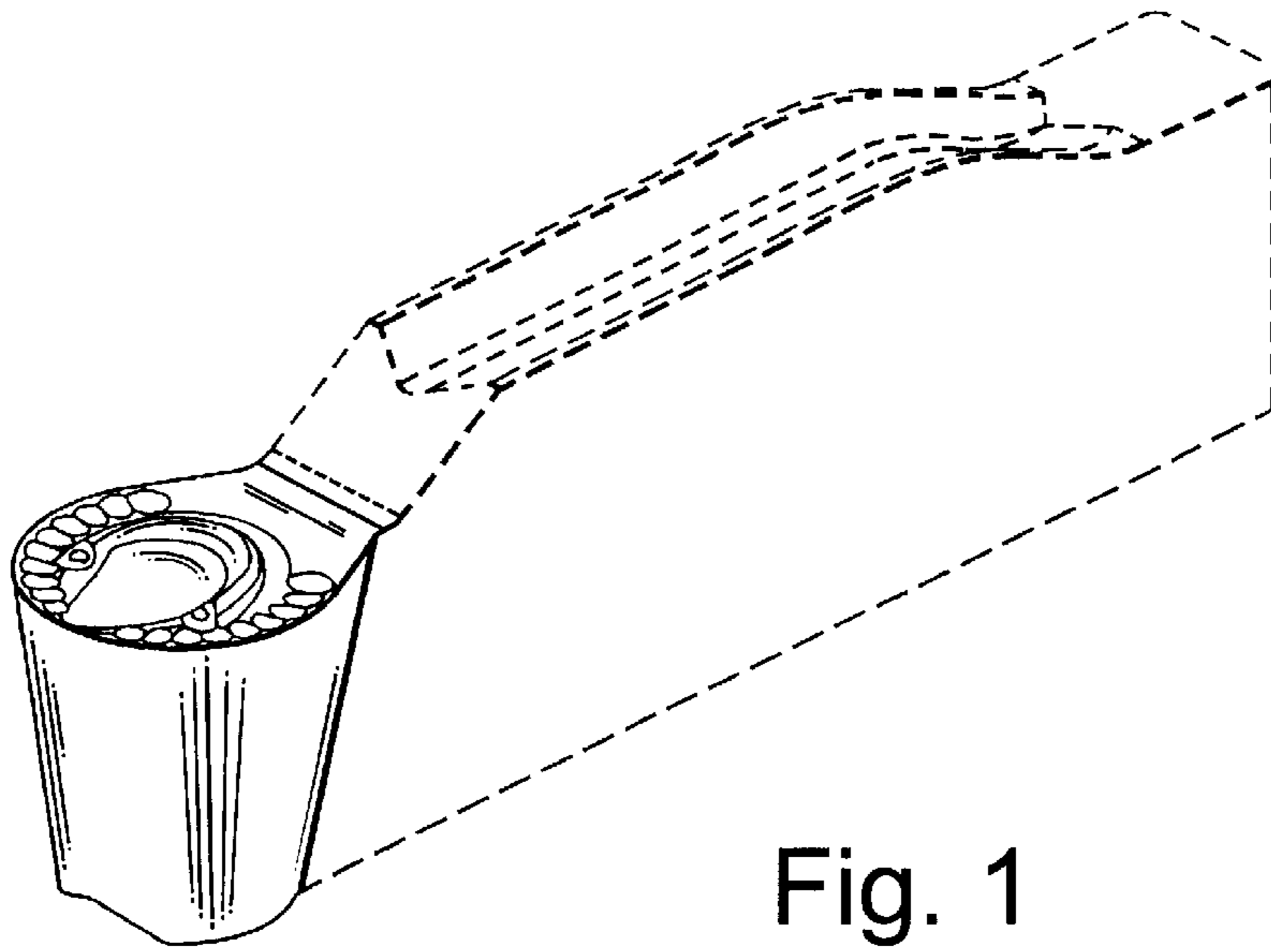


Fig. 1

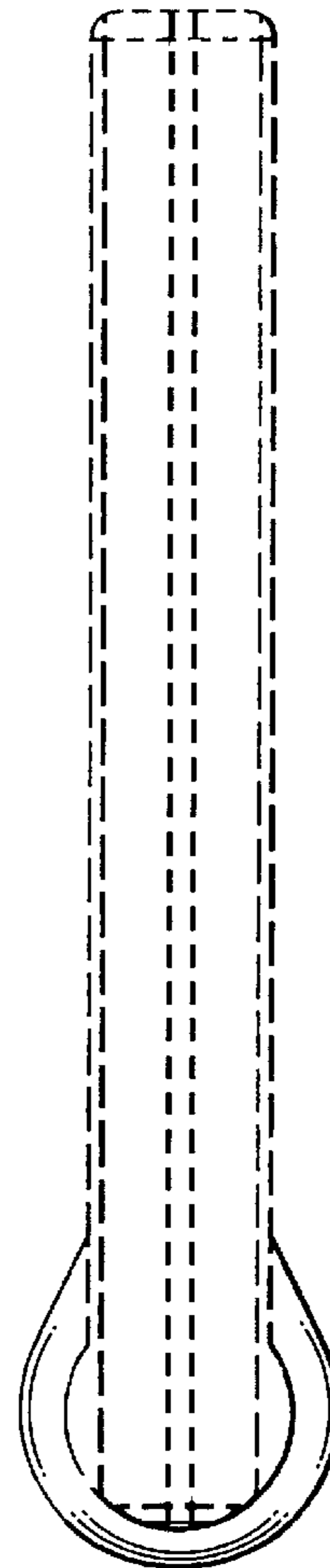


Fig. 3

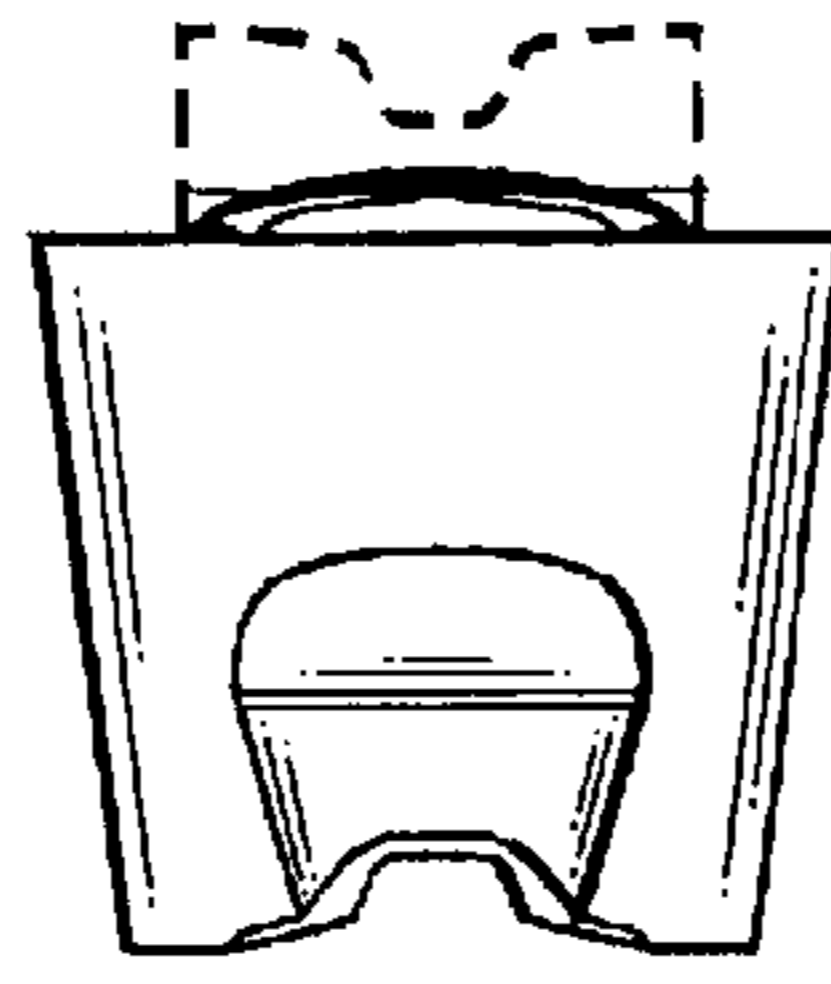


Fig. 6

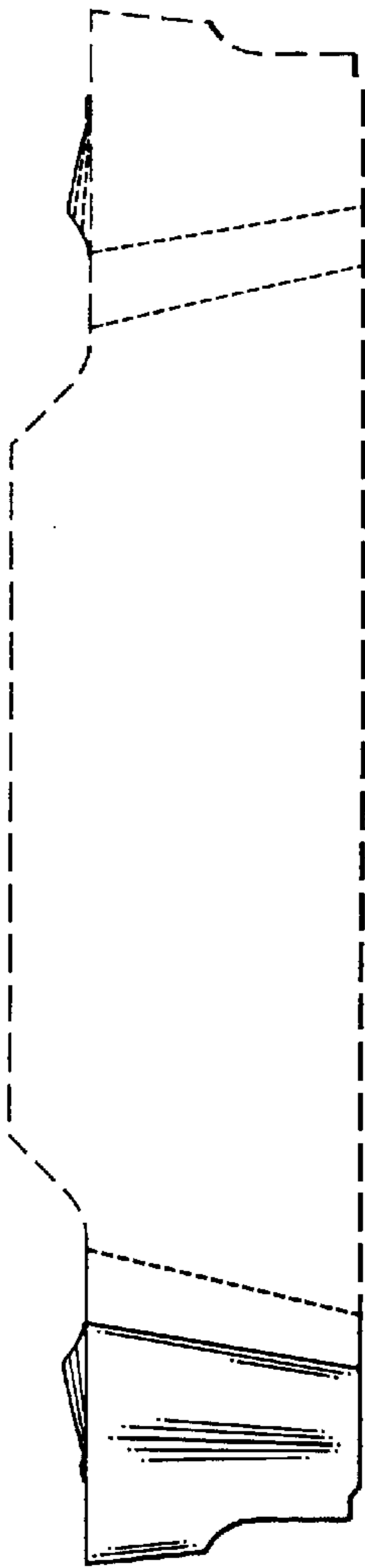


Fig. 4

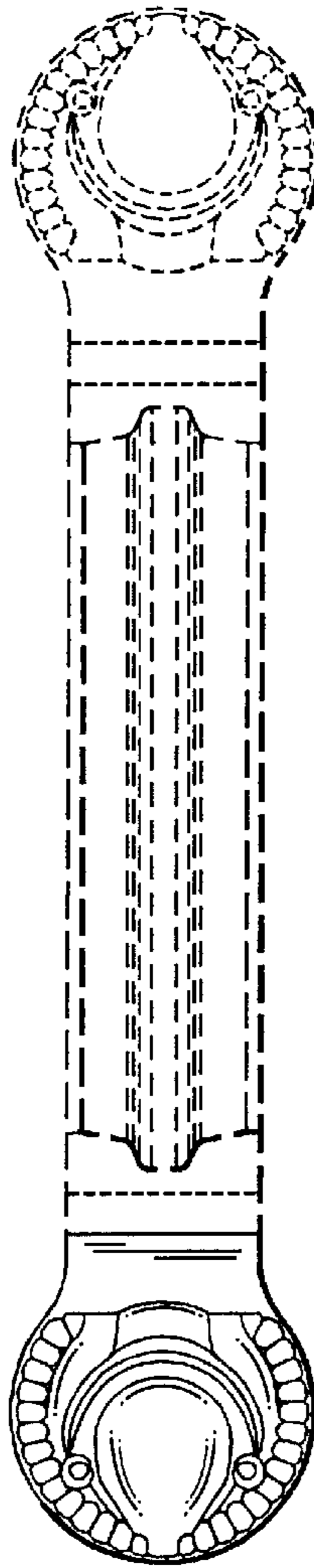


Fig. 2

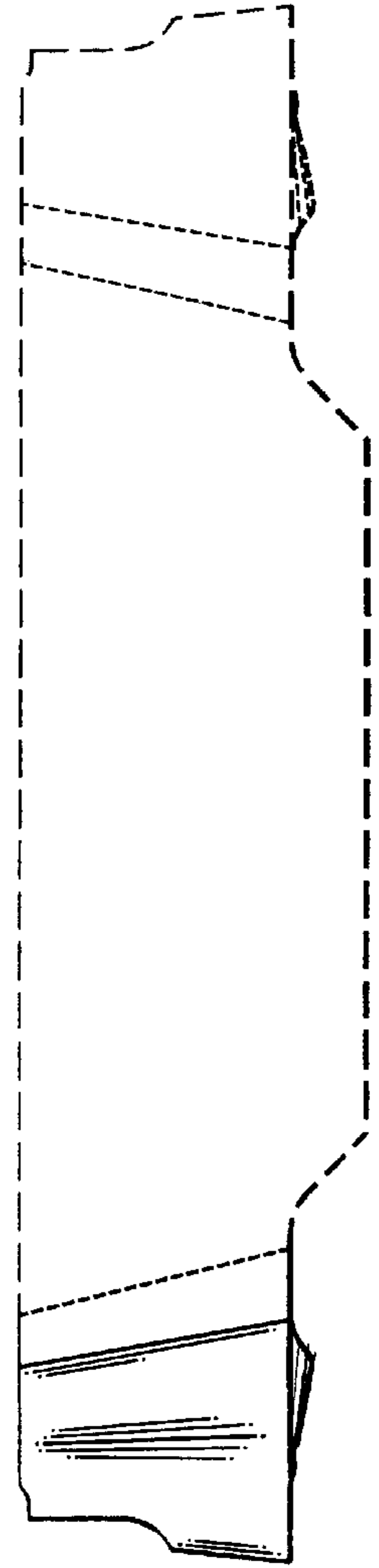


Fig. 5

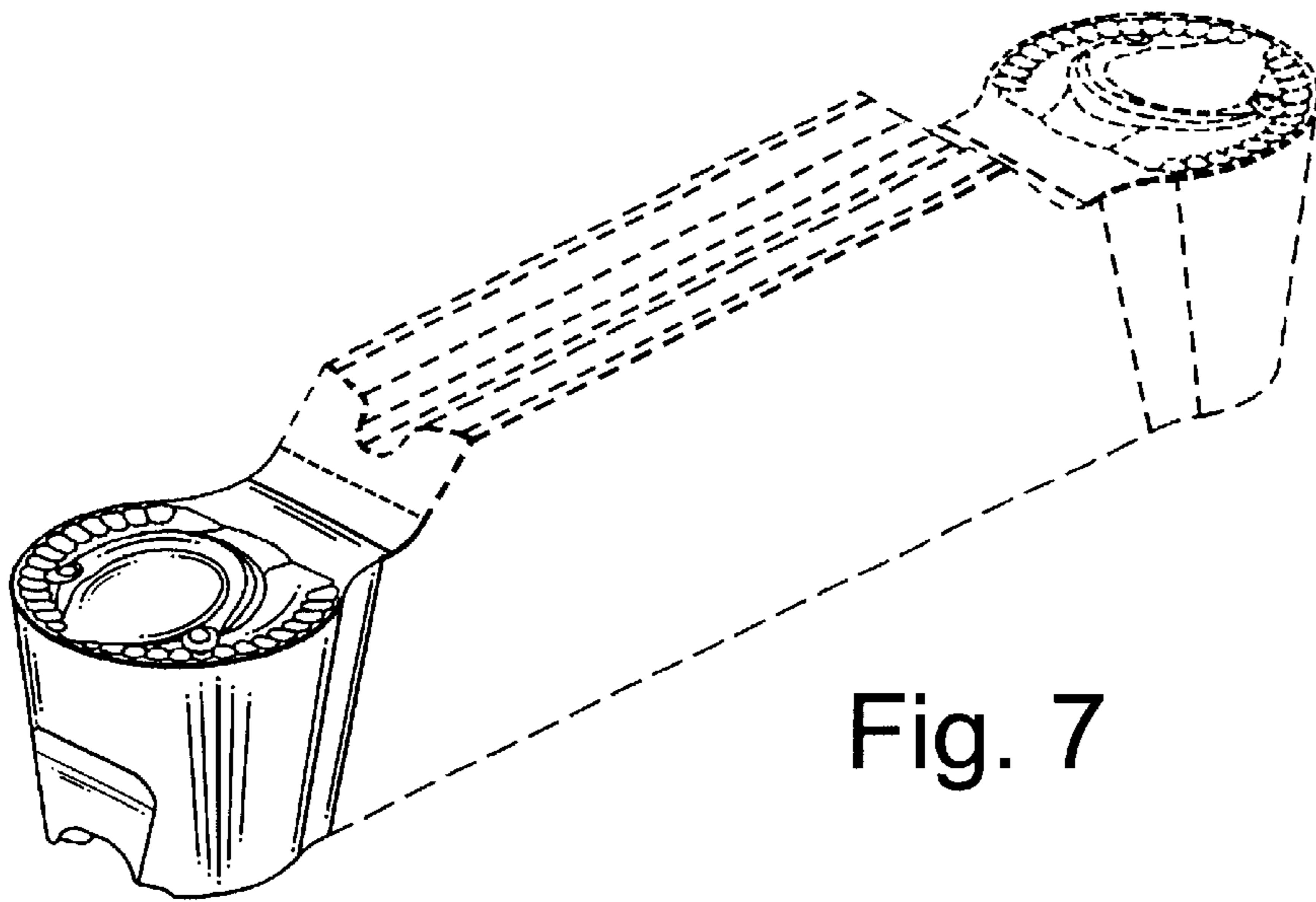


Fig. 7

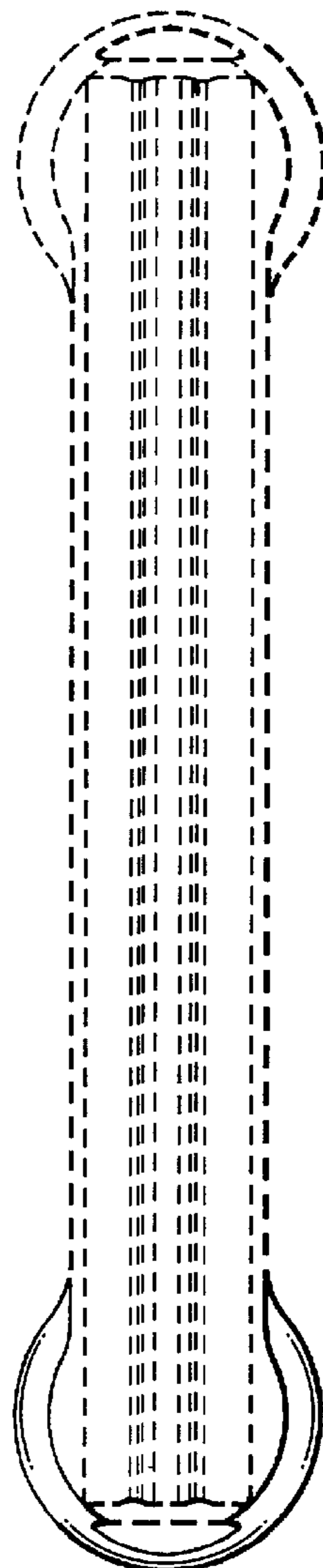


Fig. 9

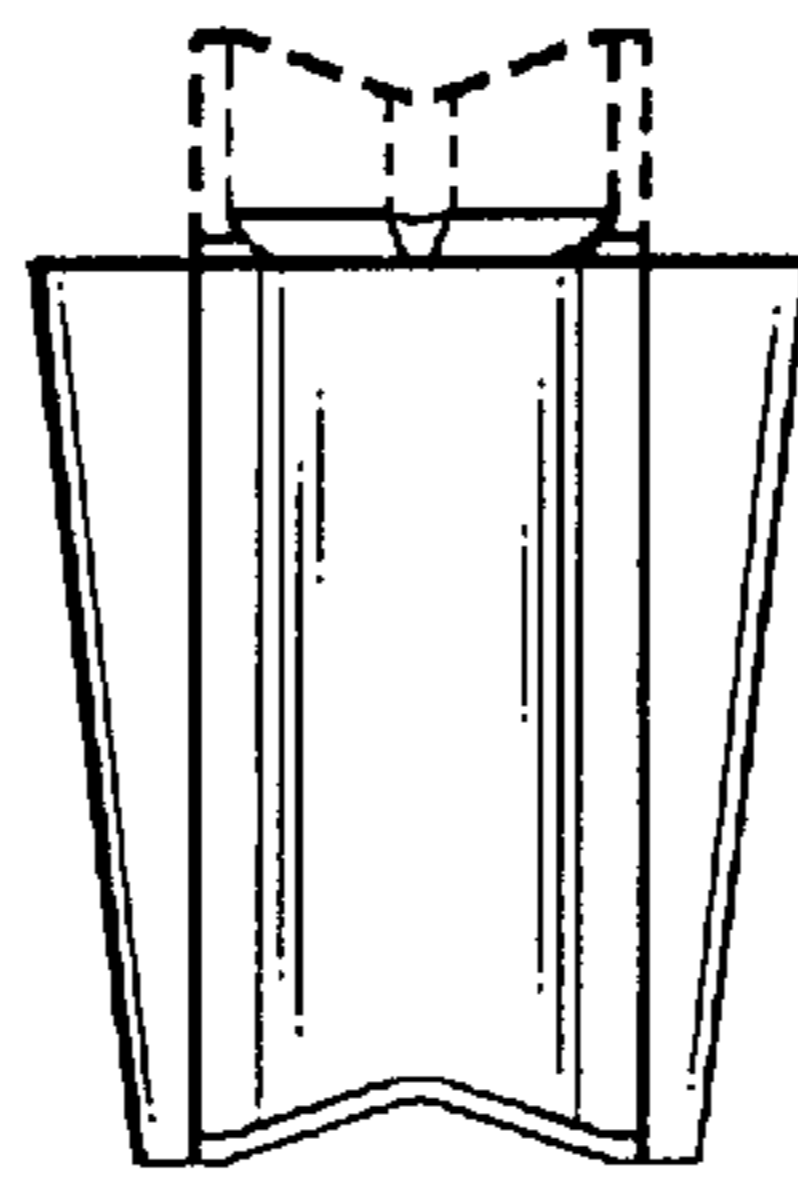


Fig. 12

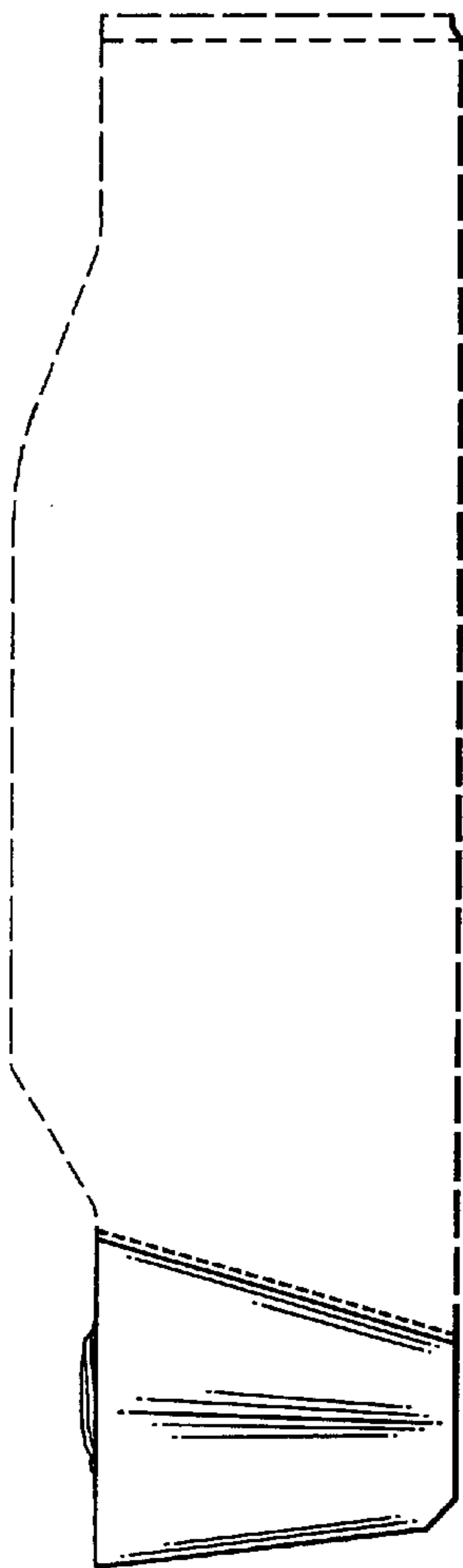


Fig. 10

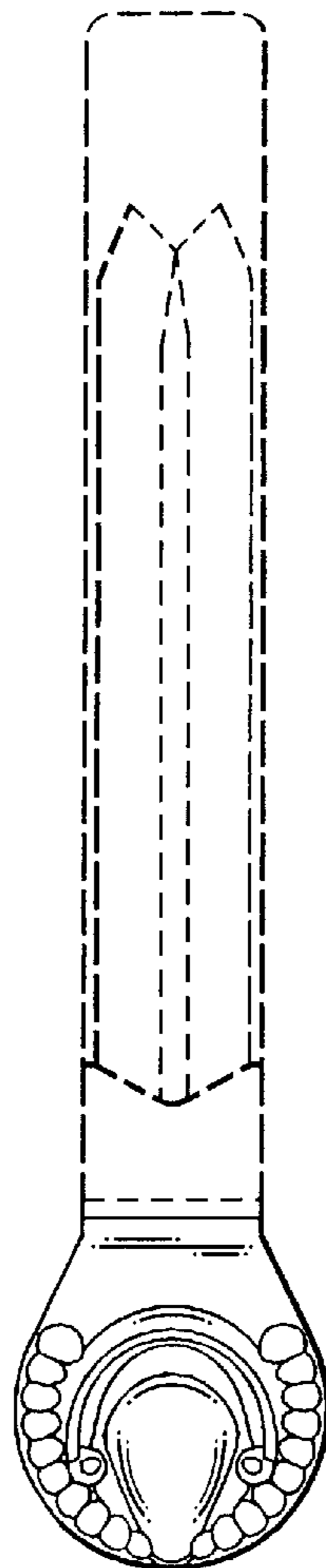


Fig. 8

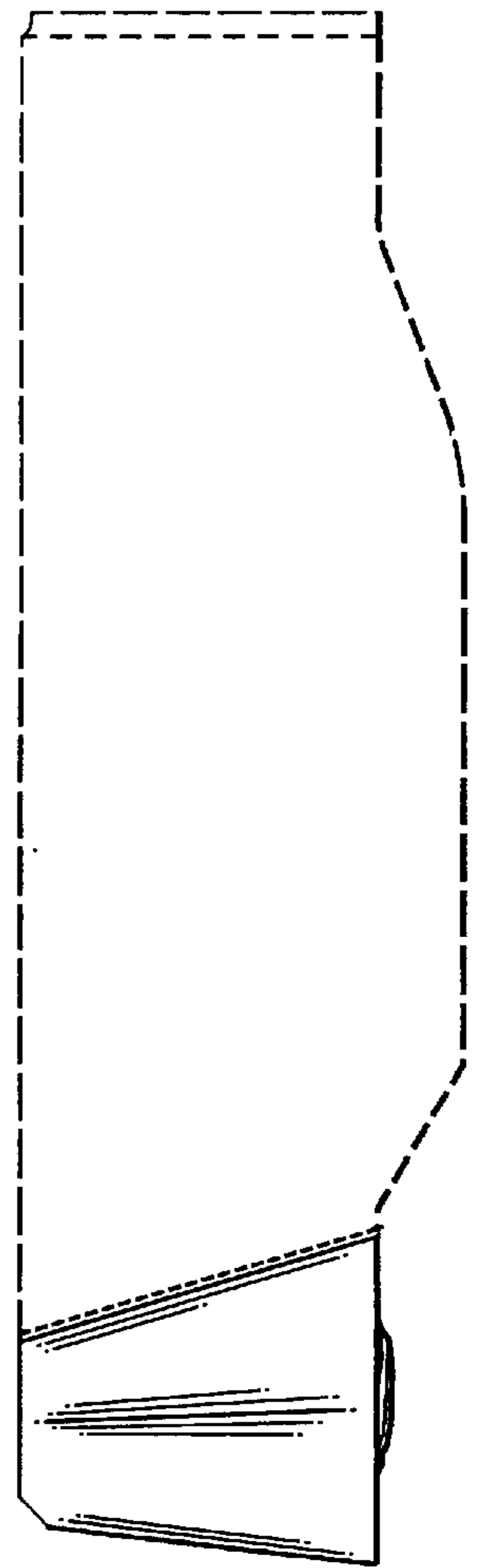


Fig. 11