



US00D476666S

(12) **United States Design Patent**
Yoshida et al.

(10) **Patent No.:** **US D476,666 S**

(45) **Date of Patent:** **** Jul. 1, 2003**

(54) **SPROCKET PART FOR BULLDOZER**

(75) Inventors: **Tsuyoshi Yoshida**, Hirakata (JP); **Teiji Yamamoto**, Hirakata (JP); **Shota Murakami**, Hirakata (JP)

(73) Assignee: **Komatsu Ltd.**, Tokyo (JP)

(**) Term: **14 Years**

(21) Appl. No.: **29/164,048**

(22) Filed: **Jul. 18, 2002**

(51) **LOC (7) Cl.** **15-03**

(52) **U.S. Cl.** **D15/28**

(58) **Field of Search** D15/23-28, 10;
D12/604; 152/209, 523; 180/9.1; 305/185-187,
199, 7, 31, 54, 19

(56) **References Cited**

U.S. PATENT DOCUMENTS

D365,827 S	*	1/1996	Chandler	D15/28
5,573,310 A	*	11/1996	Rollinson	301/43
D435,565 S	*	12/2000	Barani	D15/28

* cited by examiner

Primary Examiner—Mitchell Siegel

(74) *Attorney, Agent, or Firm*—Kanesaka & Takeuchi

(57) **CLAIM**

The ornamental design for a sprocket part for bulldozer, as shown and described.

DESCRIPTION

FIG. 1 is a top plan view of a sprocket part for bulldozer showing our new design;

FIG. 2 is a front view thereof;

FIG. 3 is a bottom plan view thereof;

FIG. 4 is a right side view thereof, the left side view being symmetrical to the right side view;

FIG. 5 is a rear view thereof;

FIG. 6 is a perspective view thereof;

FIG. 7 is another perspective view thereof;

FIG. 8 is a cross sectional view taken along line 8—8 in FIG. 2;

FIG. 9 is a cross sectional view taken along line 9—9 in FIG. 2;

FIG. 10 is a top plan view of an alternate embodiment of the sprocket part for bulldozer;

FIG. 11 is a front view of FIG. 10;

FIG. 12 is a bottom plan view of FIG. 10;

FIG. 13 is a right side view of FIG. 10, the left side view being symmetrical to the right side view;

FIG. 14 is a rear view of FIG. 10;

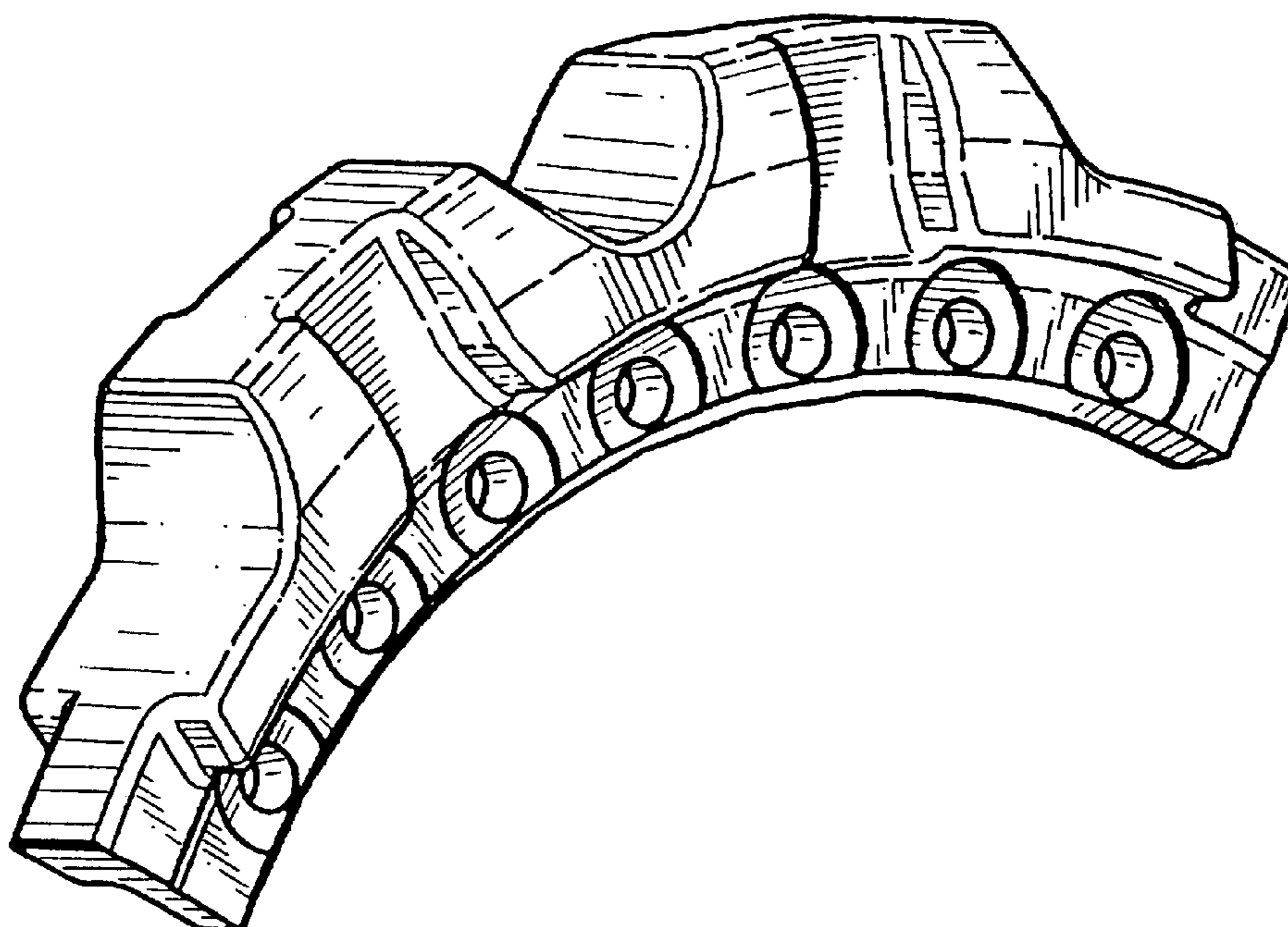
FIG. 15 is a perspective view of FIG. 10;

FIG. 16 is another perspective view of FIG. 10;

FIG. 17 is a cross sectional view taken along line 17—17 in FIG. 11; and,

FIG. 18 is a cross sectional view taken along line 18—18 in FIG. 11.

1 Claim, 8 Drawing Sheets



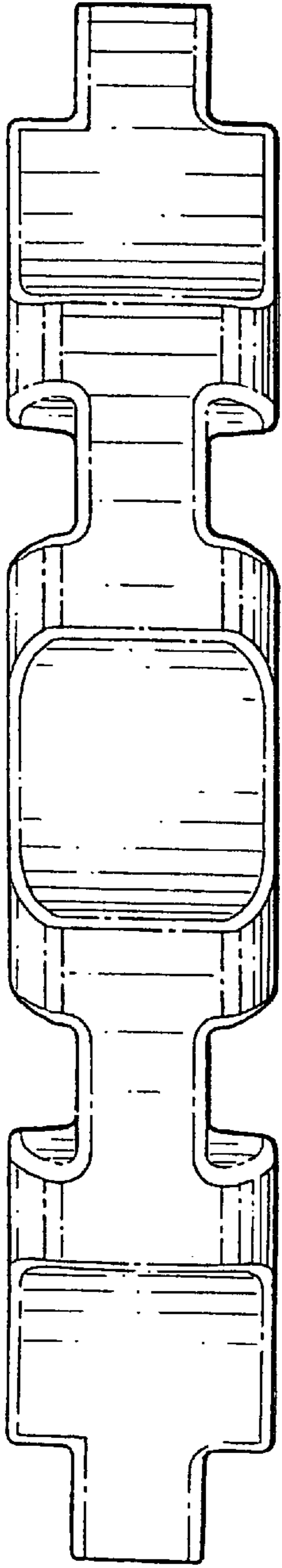


FIG. 1

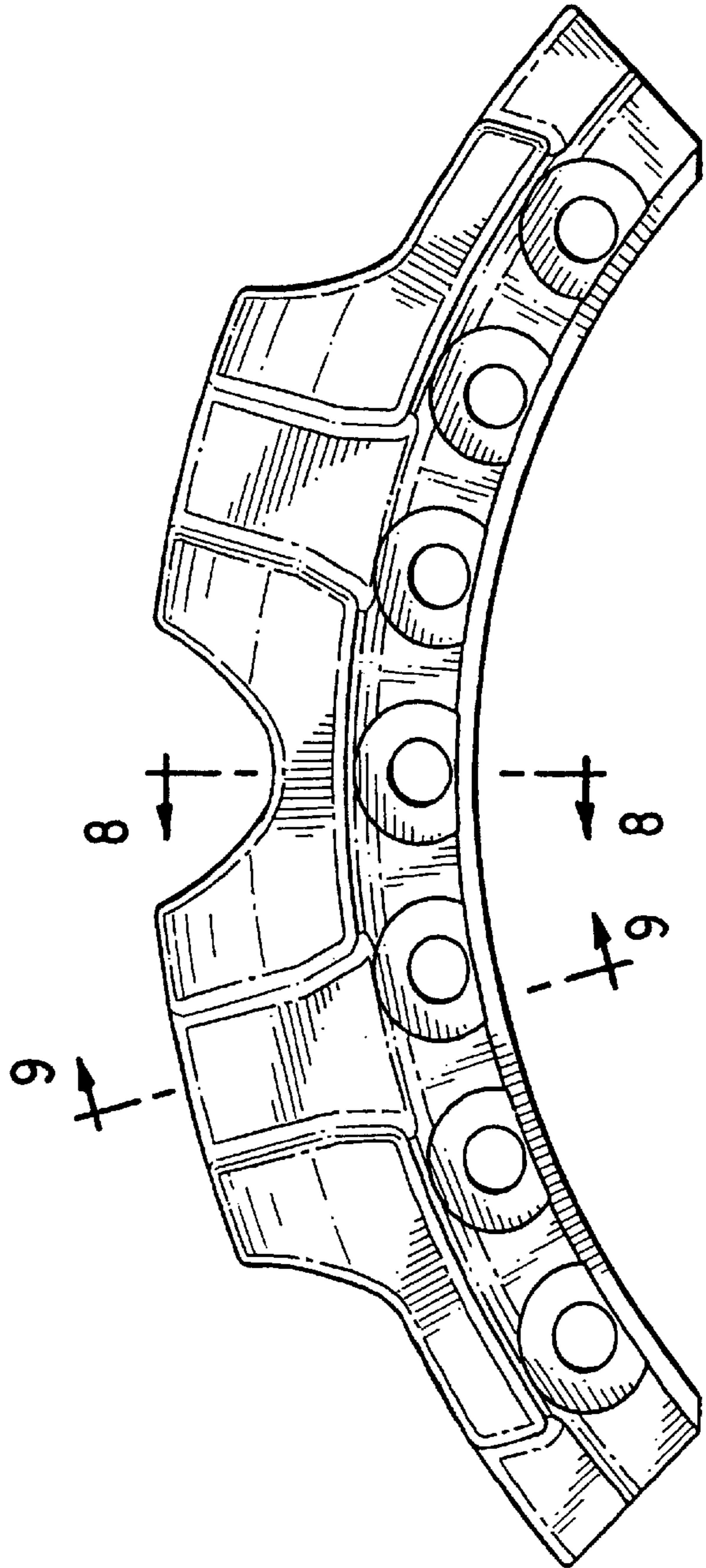


FIG. 2

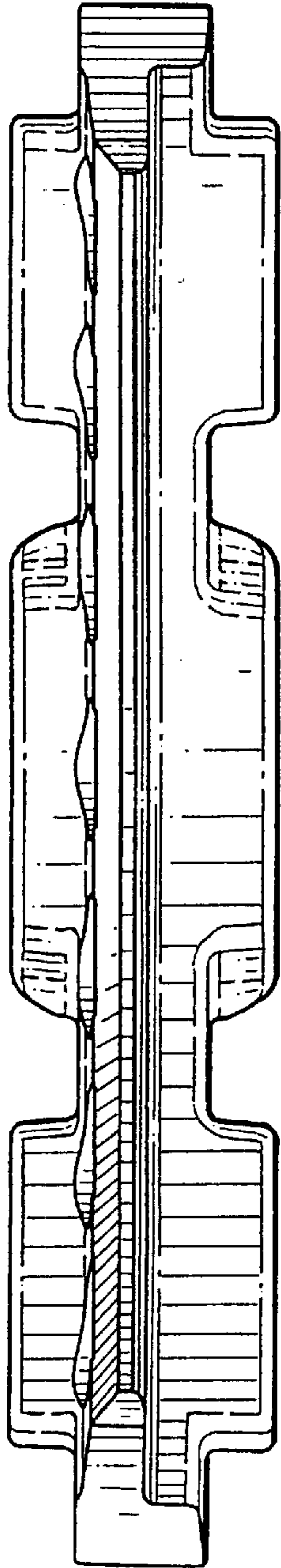


FIG. 3

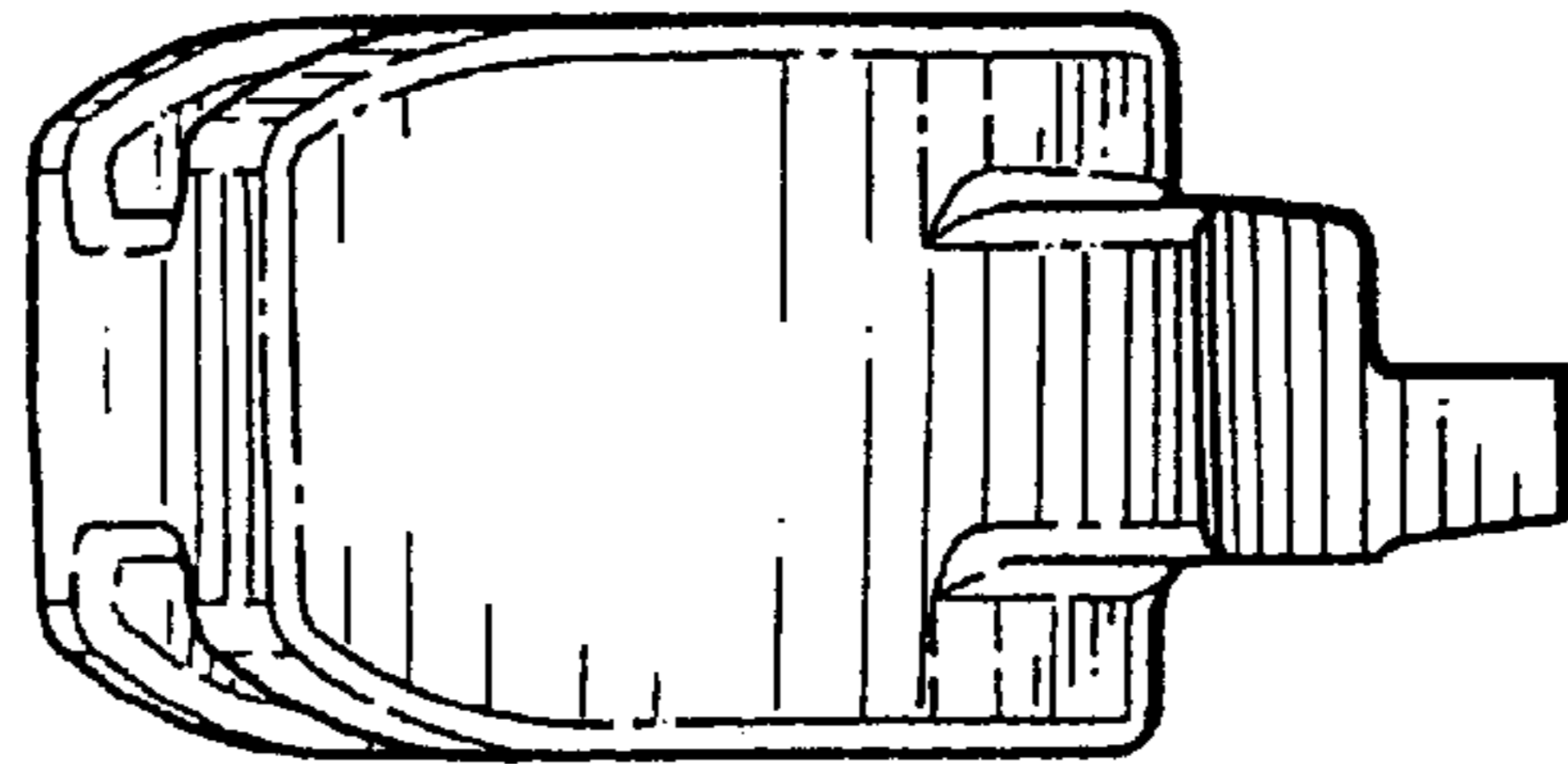


FIG. 4

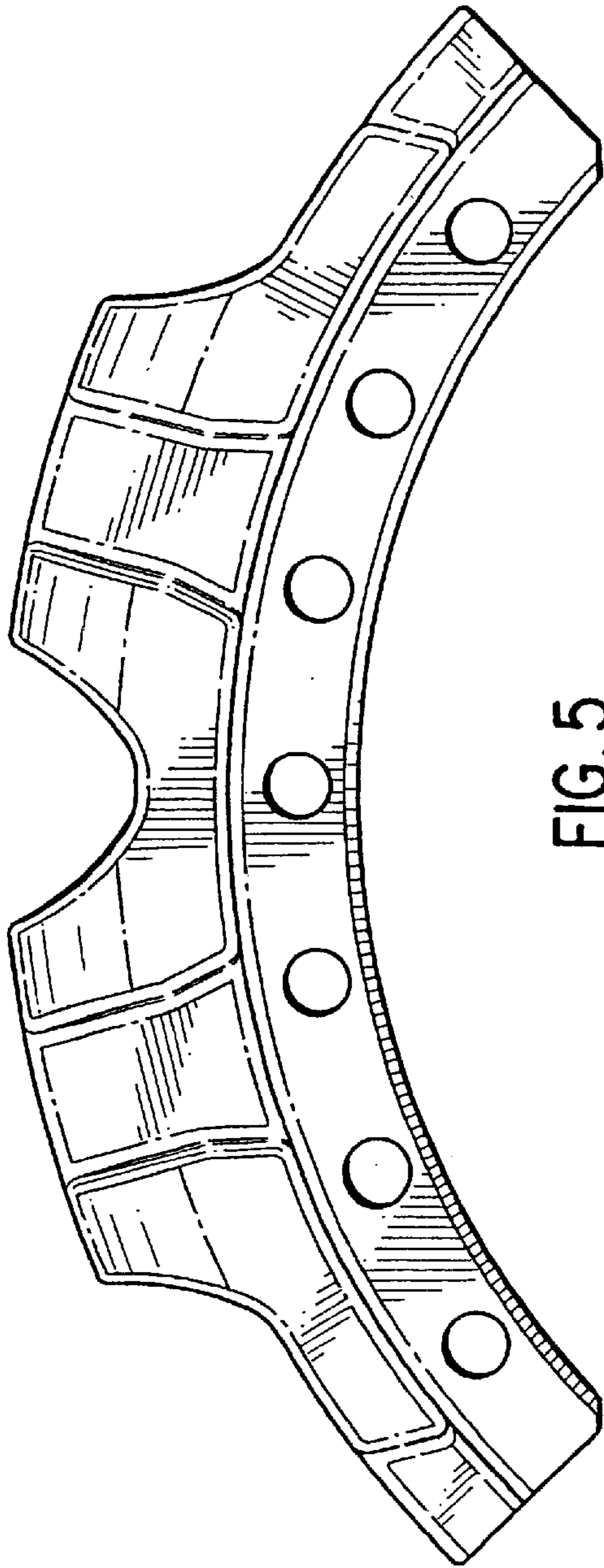


FIG. 5

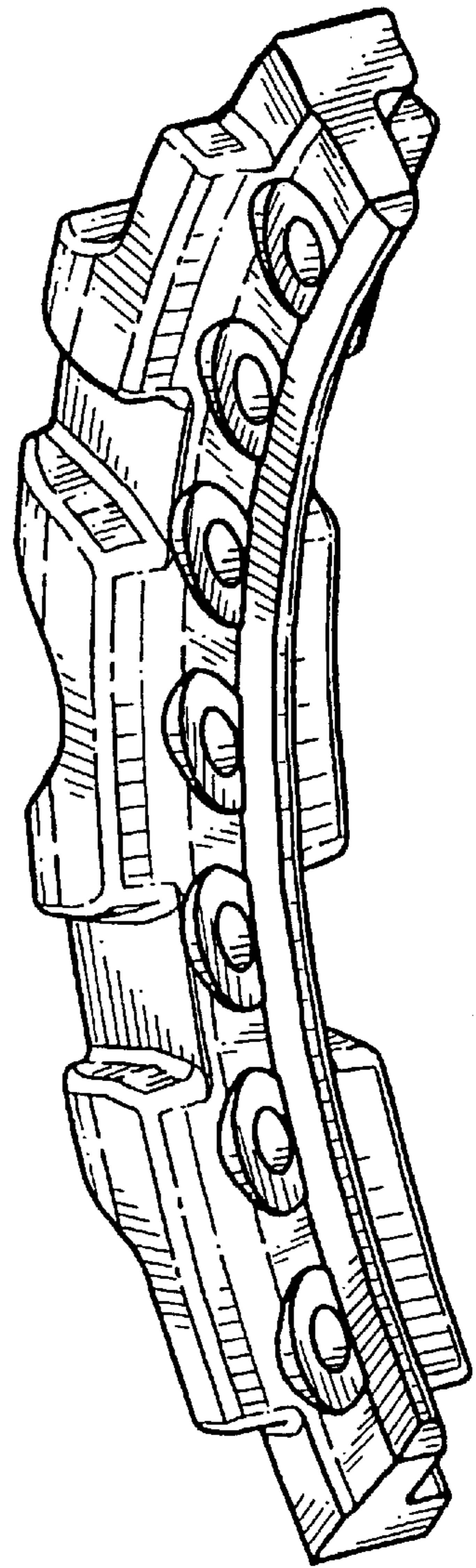


FIG. 6

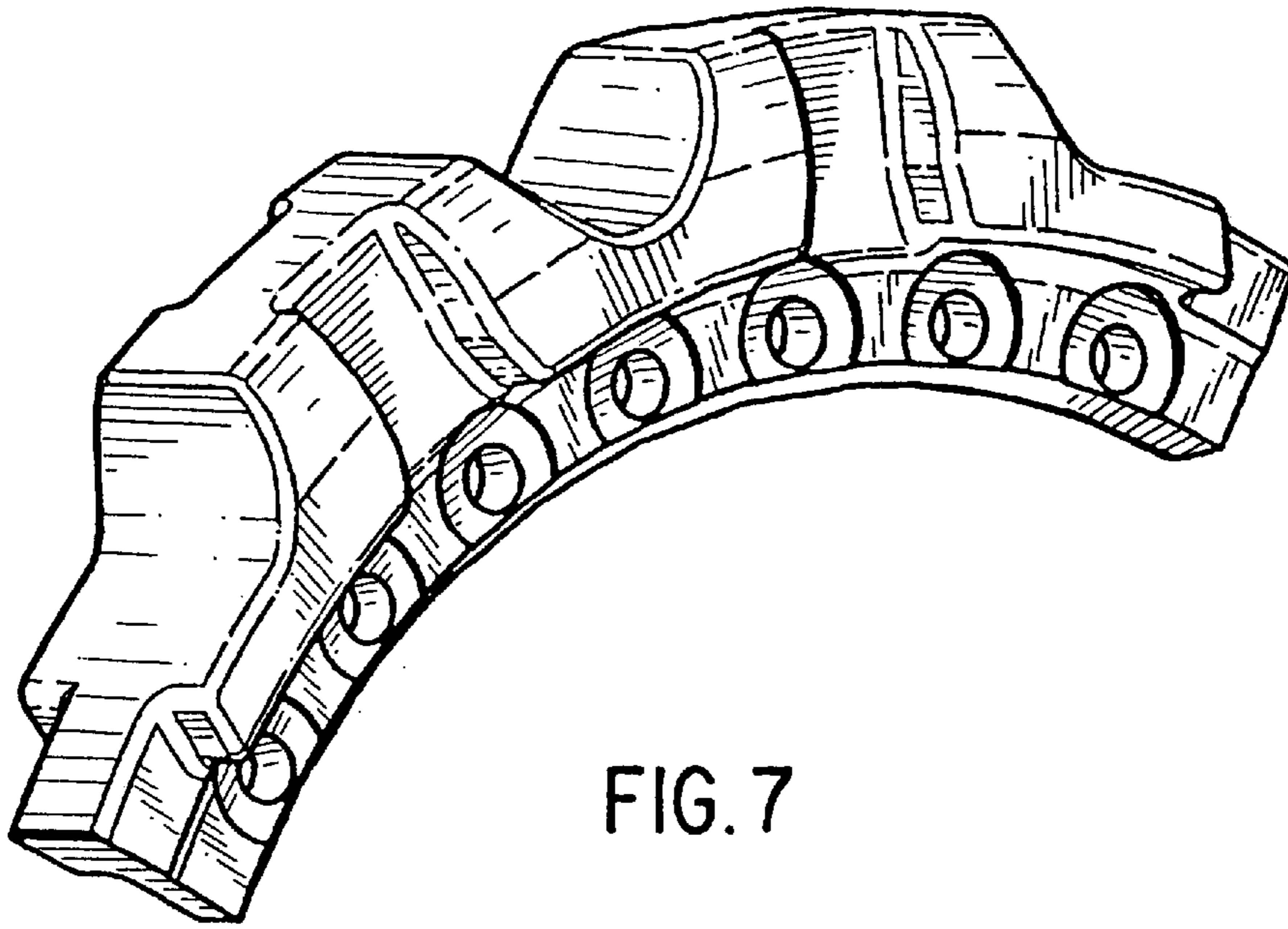


FIG. 7

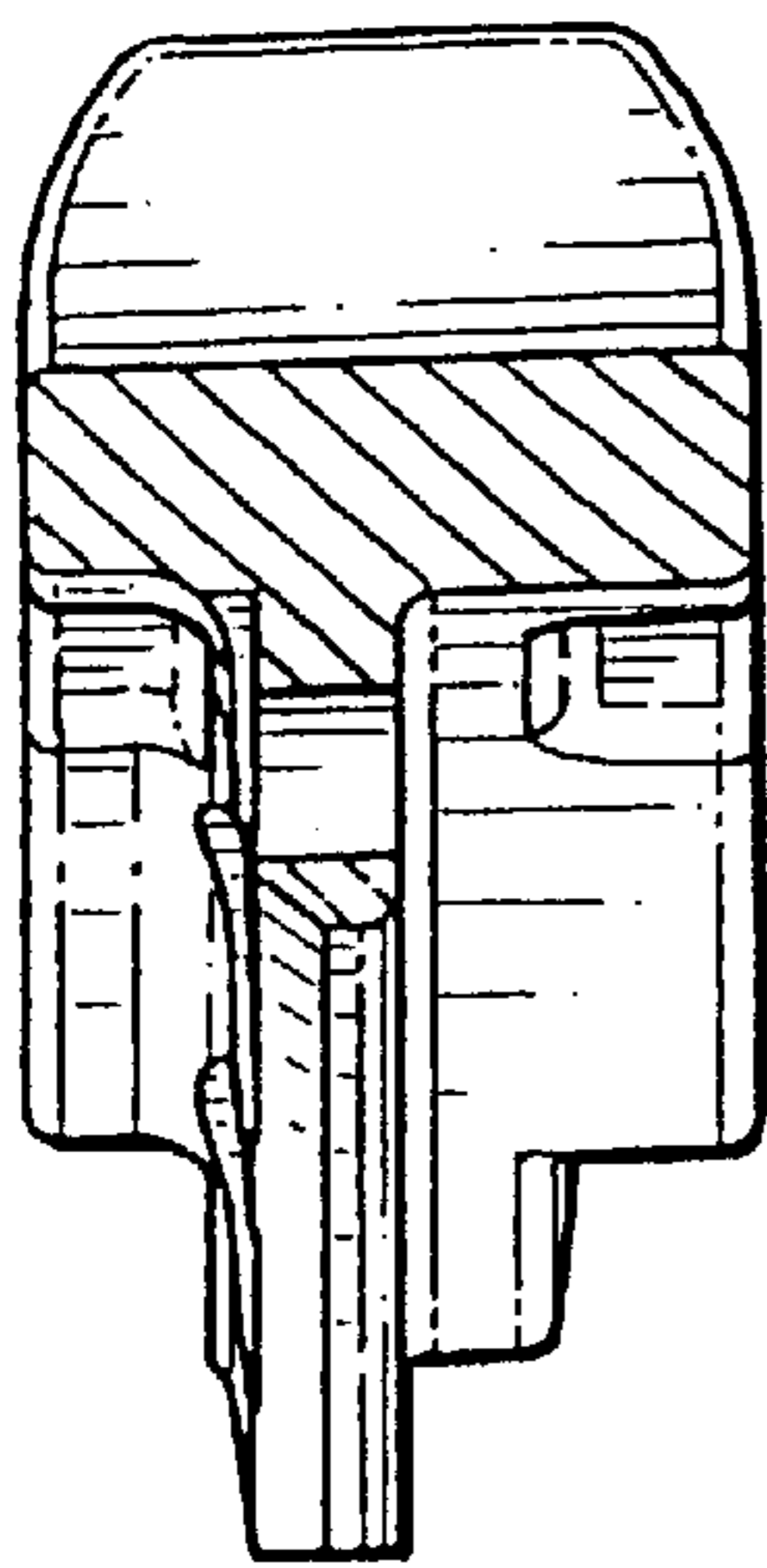


FIG. 8

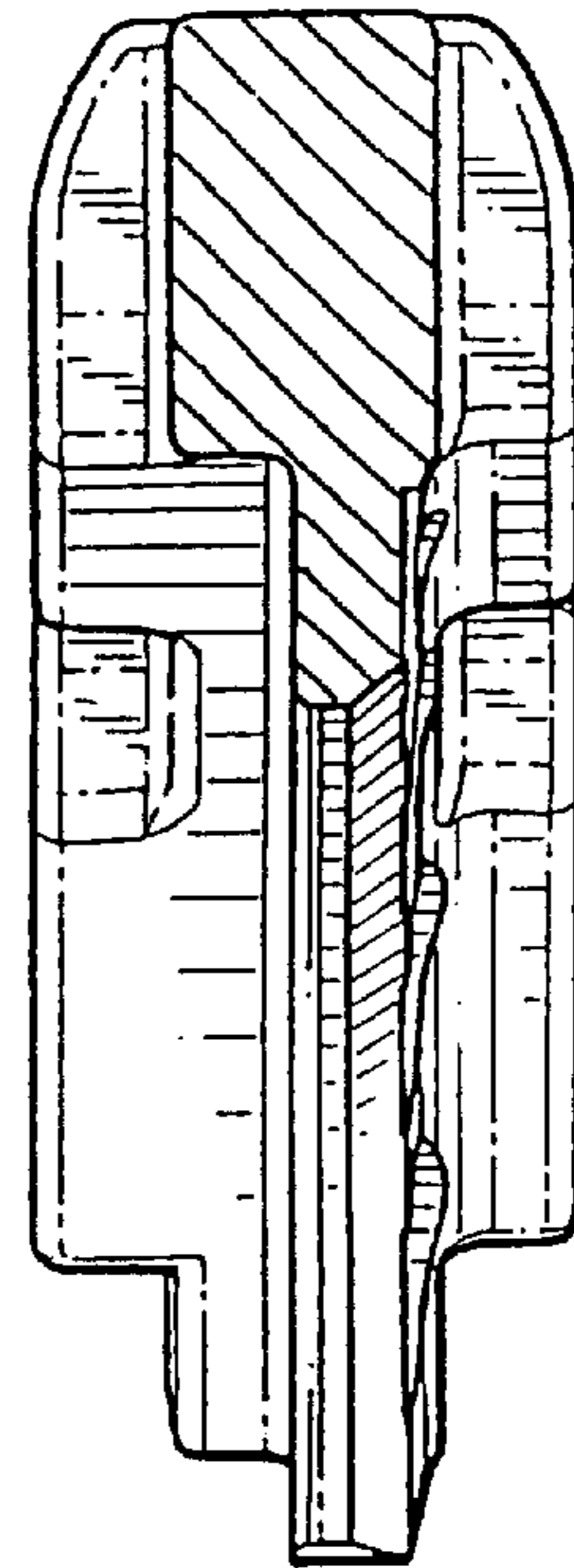


FIG. 9

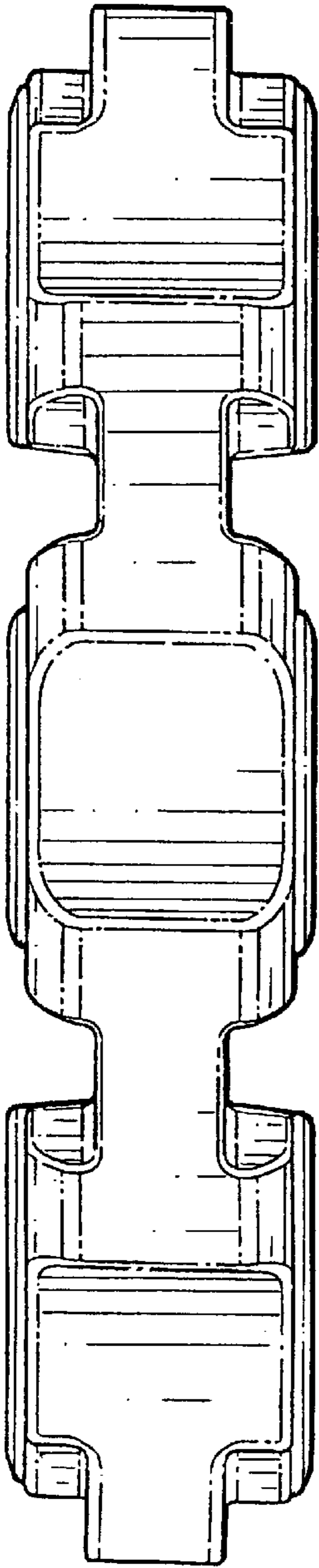


FIG.10

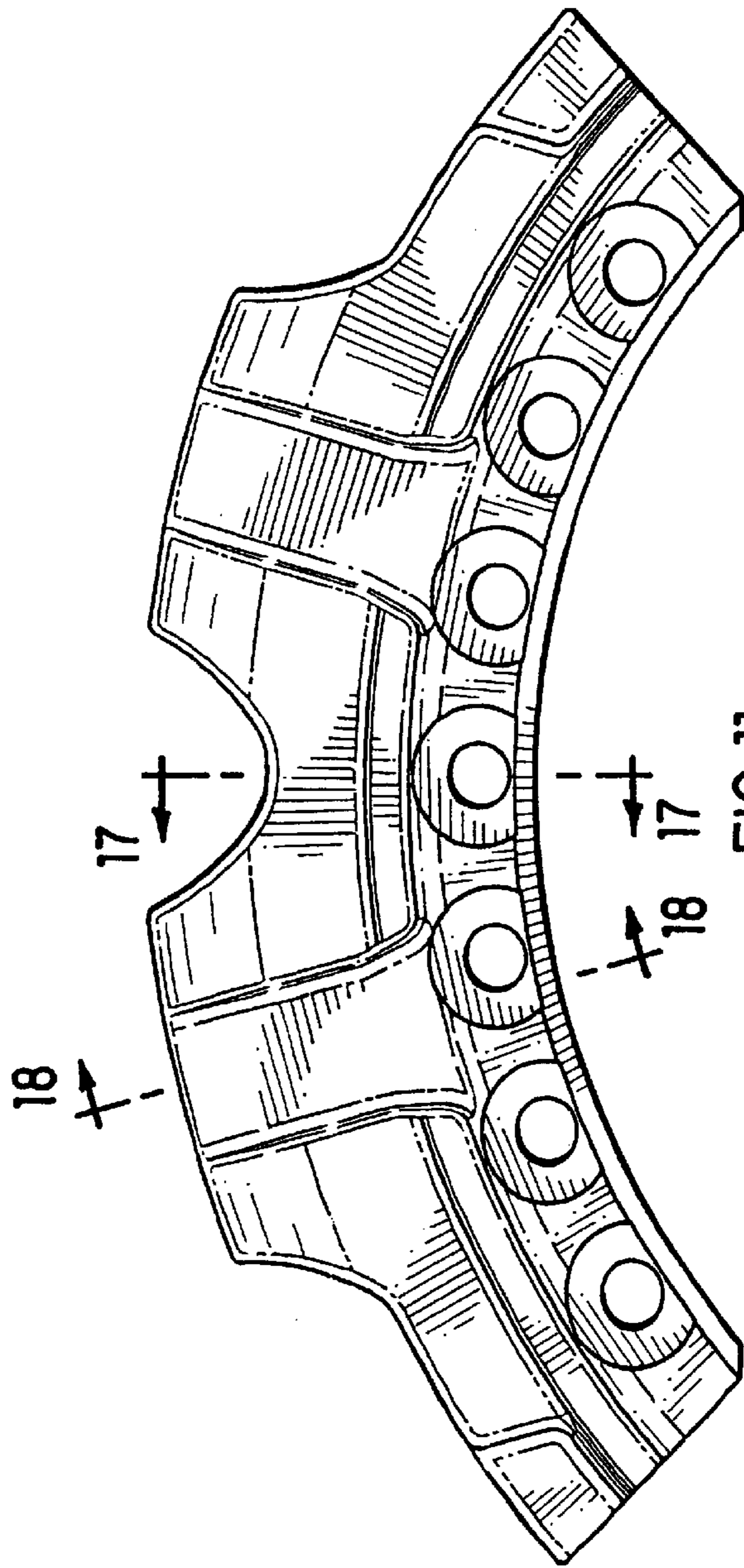


FIG.11

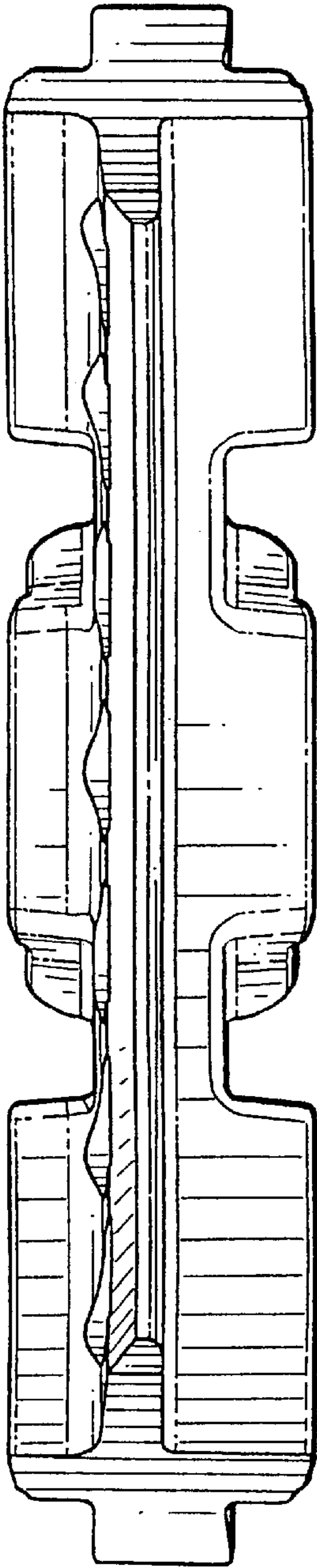


FIG. 12

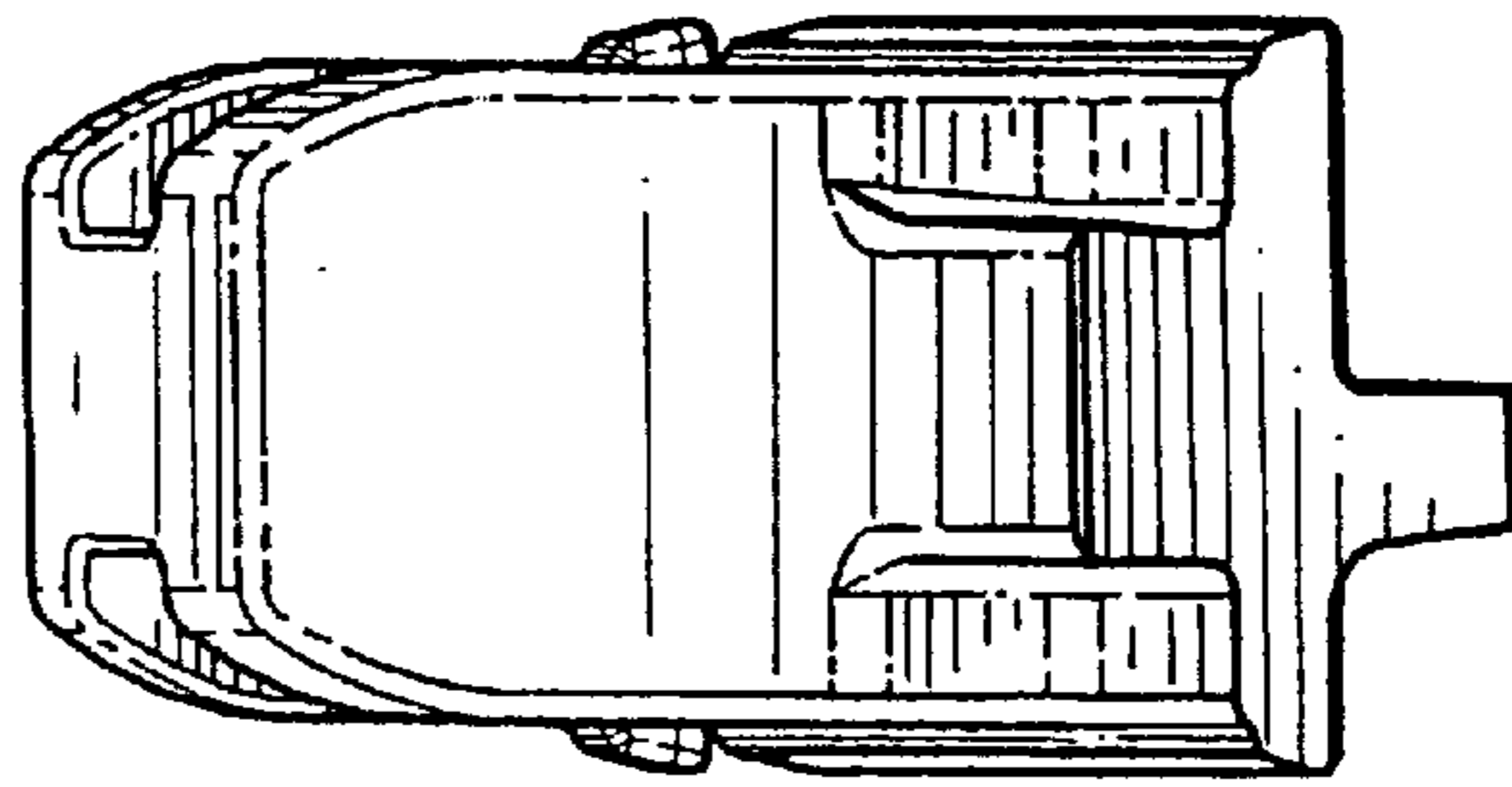


FIG. 13

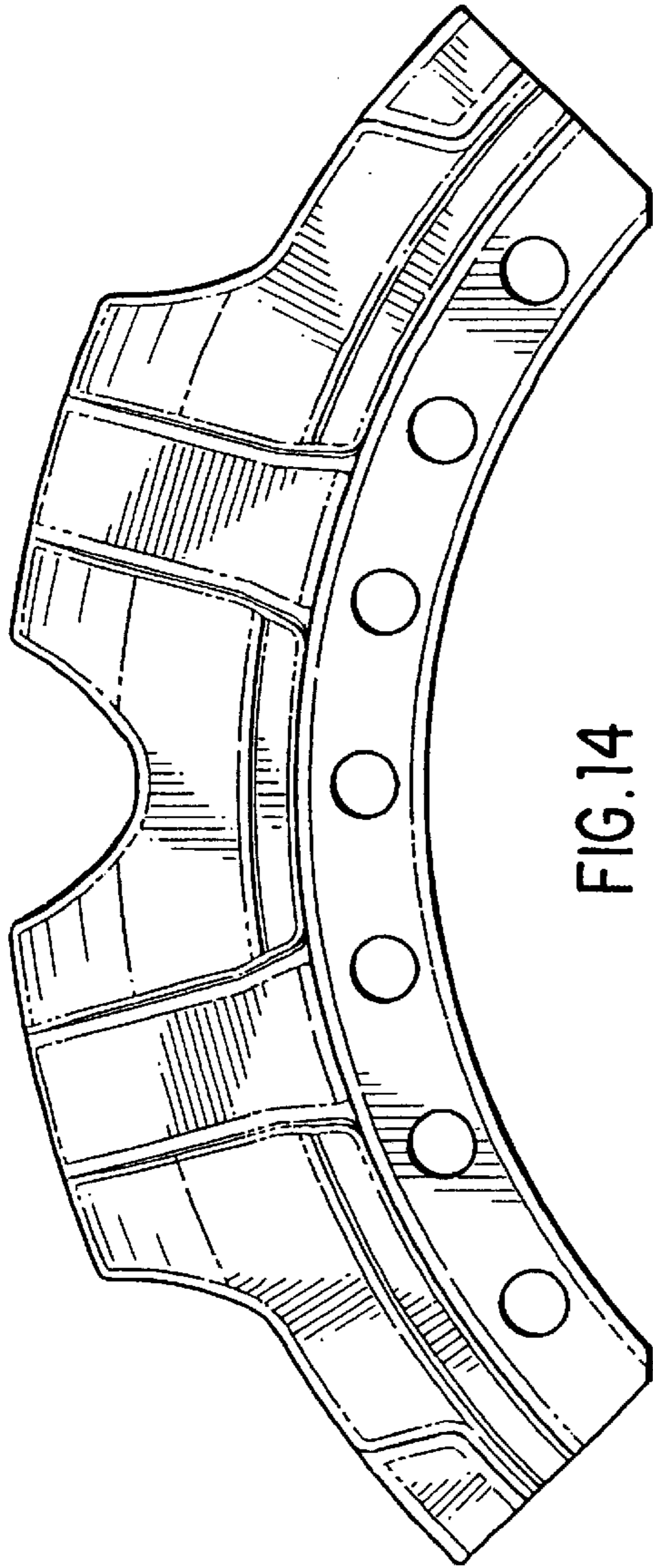


FIG. 14

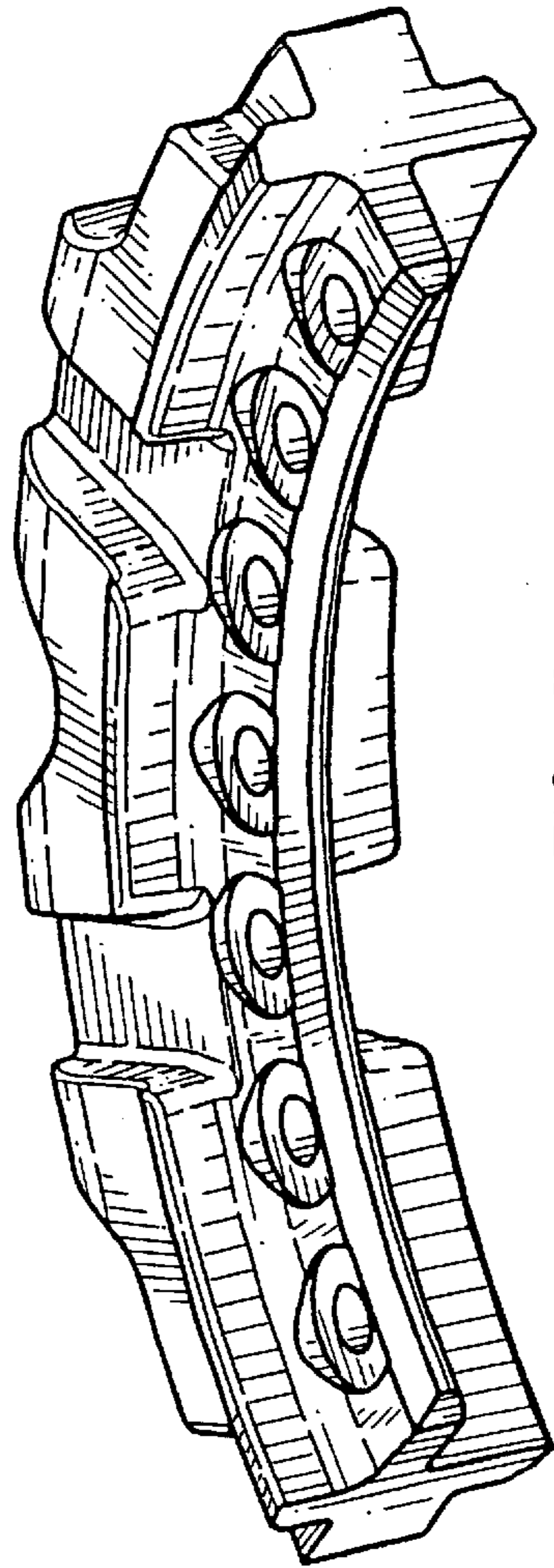


FIG. 15

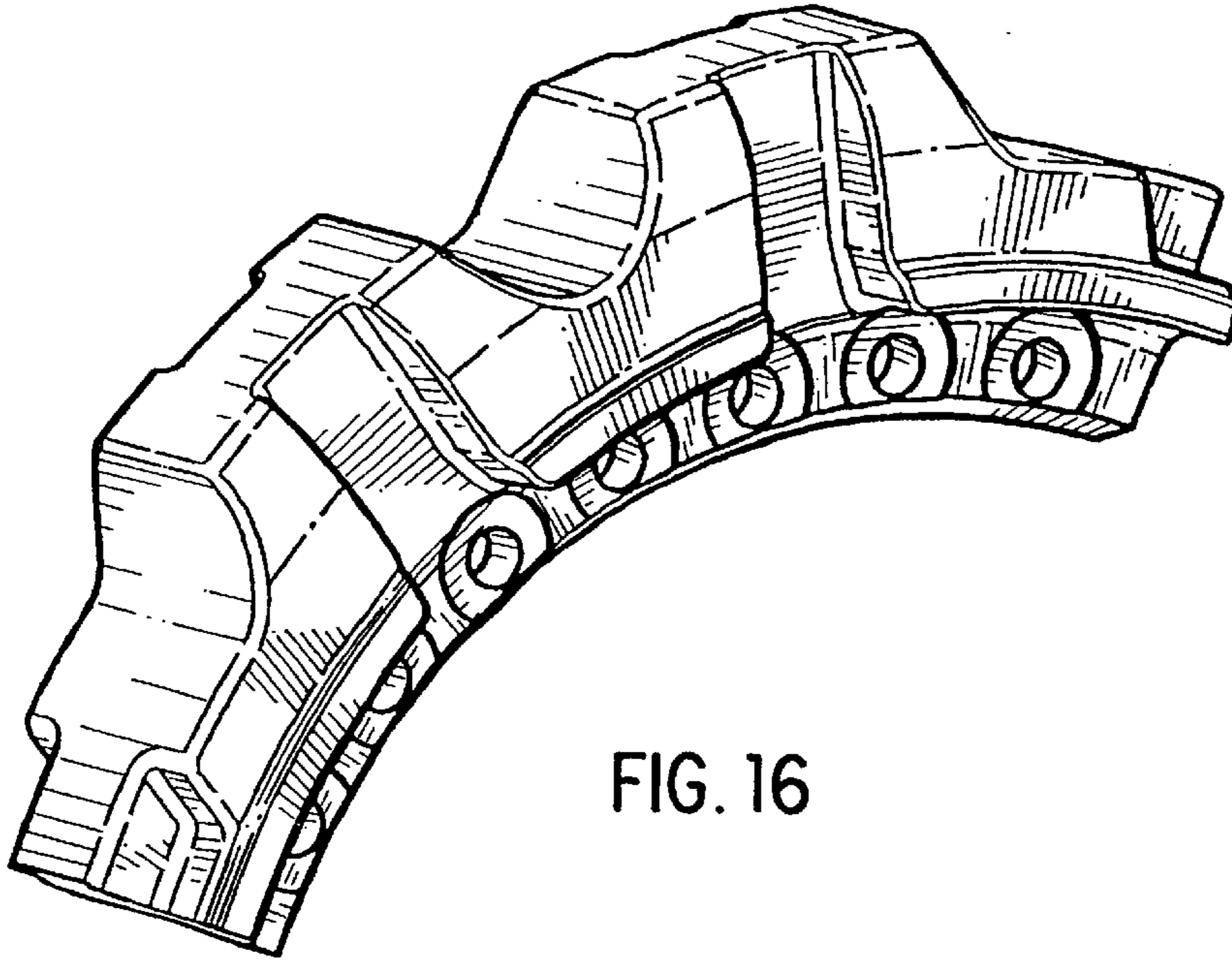


FIG. 16

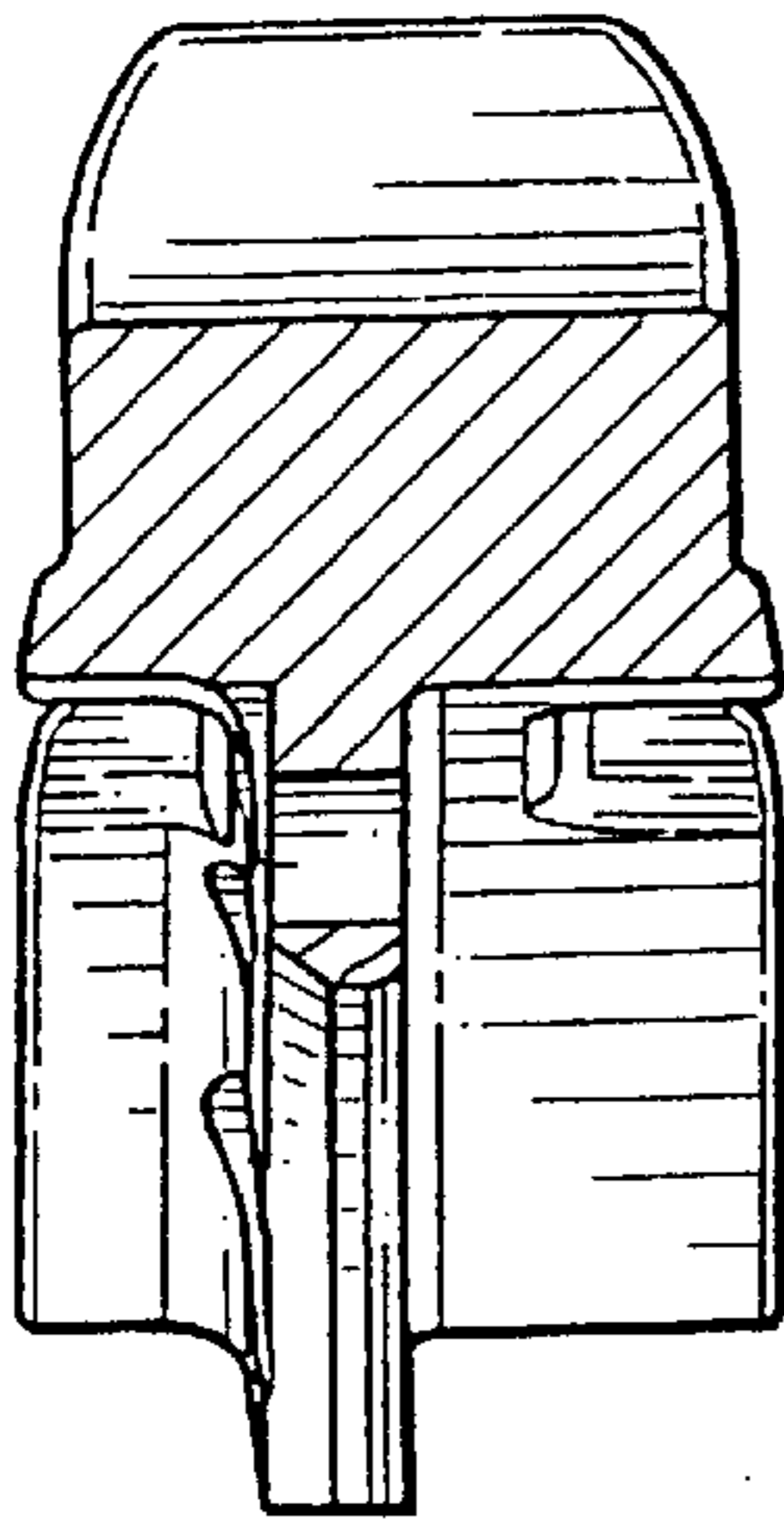


FIG. 17

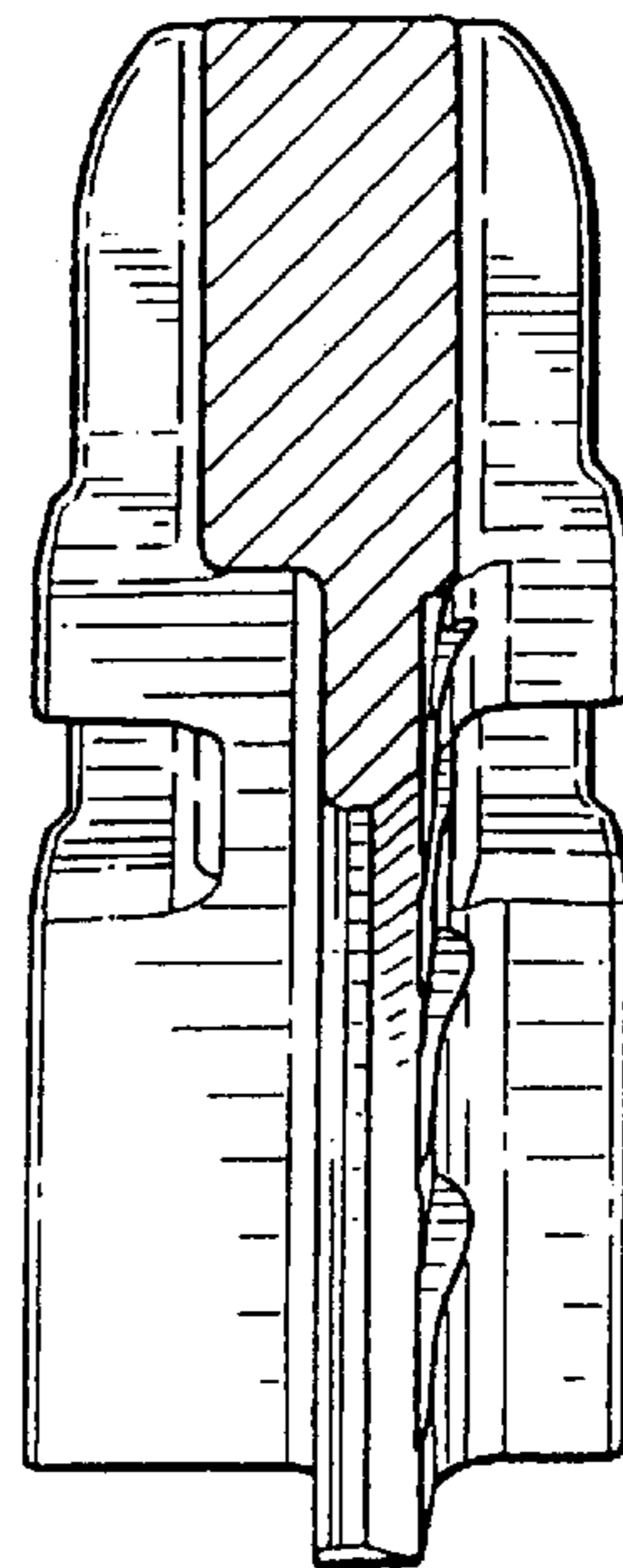


FIG. 18