



US00D476662S

(12) **United States Design Patent**
Knieper

(10) **Patent No.:** **US D476,662 S**

(45) **Date of Patent:** **** Jul. 1, 2003**

(54) **SUPPORT CUSHION FOR COMPUTERS AND
TERMINAL DEVICES**

(76) **Inventor: Genevieve Susan Knieper**, 7104 NW.
58th. Ct., Tamarac, FL (US) 33321

(**) **Term: 14 Years**

(21) **Appl. No.: 29/080,005**

(22) **Filed: Nov. 28, 1997**

(51) **LOC (7) Cl. 06-06**

(52) **U.S. Cl. D14/460**

(58) **Field of Search** D14/114, 454-61;
248/118, 118.1, 118.5, 118.3, 917-24, 346.01;
400/689-93; D6/582-94

(56) **References Cited**

U.S. PATENT DOCUMENTS

1,869,910	A	*	8/1932	Omegna	
3,214,778	A	*	11/1965	Mathison	
D245,221	S	*	8/1977	Hoyt	D7/178
5,195,705	A	*	3/1993	Kline et al.	248/118.3
D338,195	S	*	8/1993	Sugerman	D14/114
D338,248	S	*	8/1993	Beck	D21/199
5,326,056	A	*	7/1994	Smith	248/118

5,342,006	A	*	8/1994	Tice	248/118
5,492,298	A	*	2/1996	Walker	248/346.01
5,596,481	A	*	1/1997	Liu et al.	361/683
D382,864	S	*	8/1997	Walker	D14/114
5,678,800	A	*	10/1997	Markussen	248/346.01

* cited by examiner

Primary Examiner—M. H. Tung

(74) *Attorney, Agent, or Firm*—Ronald V. Davidge

(57) **CLAIM**

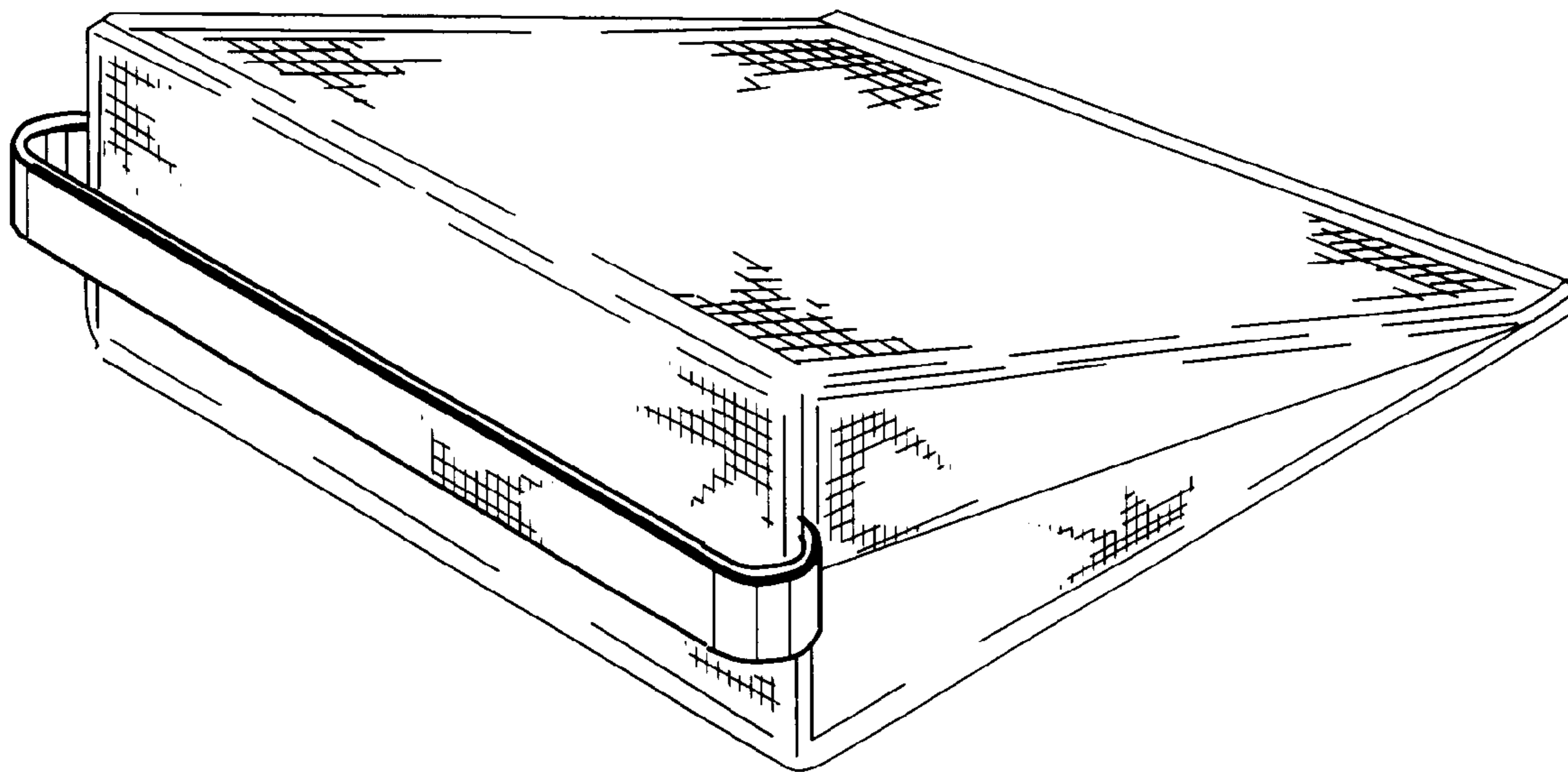
The ornamental design for support cushion for computers and terminal devices, as shown and described.

DESCRIPTION

FIG. 1 is a rear left perspective view of the support cushion for computers and terminal devices showing my design; FIG. 2 is a right elevational view thereof; FIG. 3 is a left elevational view thereof; FIG. 4 is a rear elevational view thereof; FIG. 5 is a top plan view thereof; and, FIG. 6 is a bottom plan view thereof.

The texture markings shown in portions of the claimed design surfaces indicate a texture that is present throughout the claimed design surfaces.

1 Claim, 2 Drawing Sheets



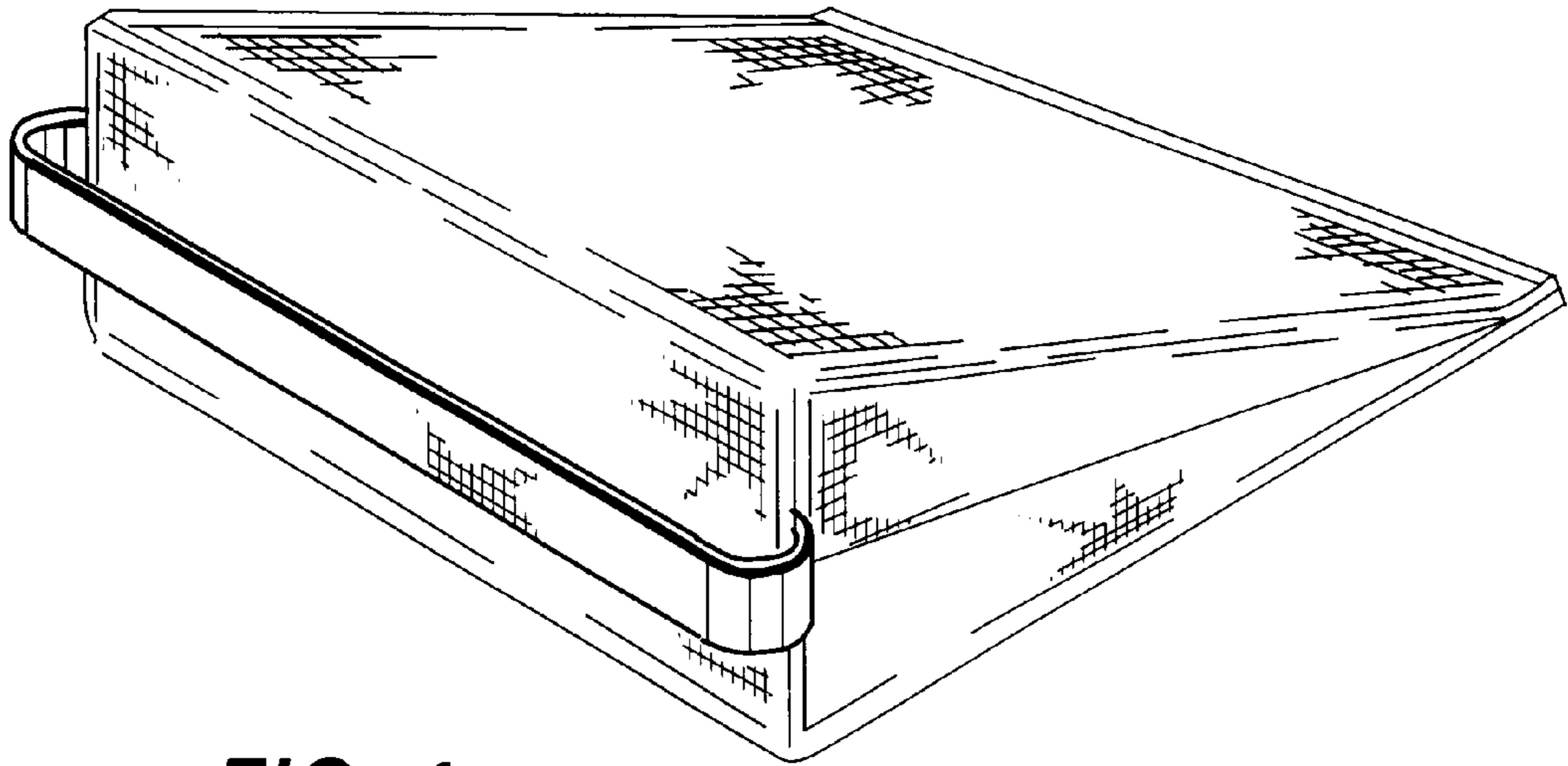


FIG. 1

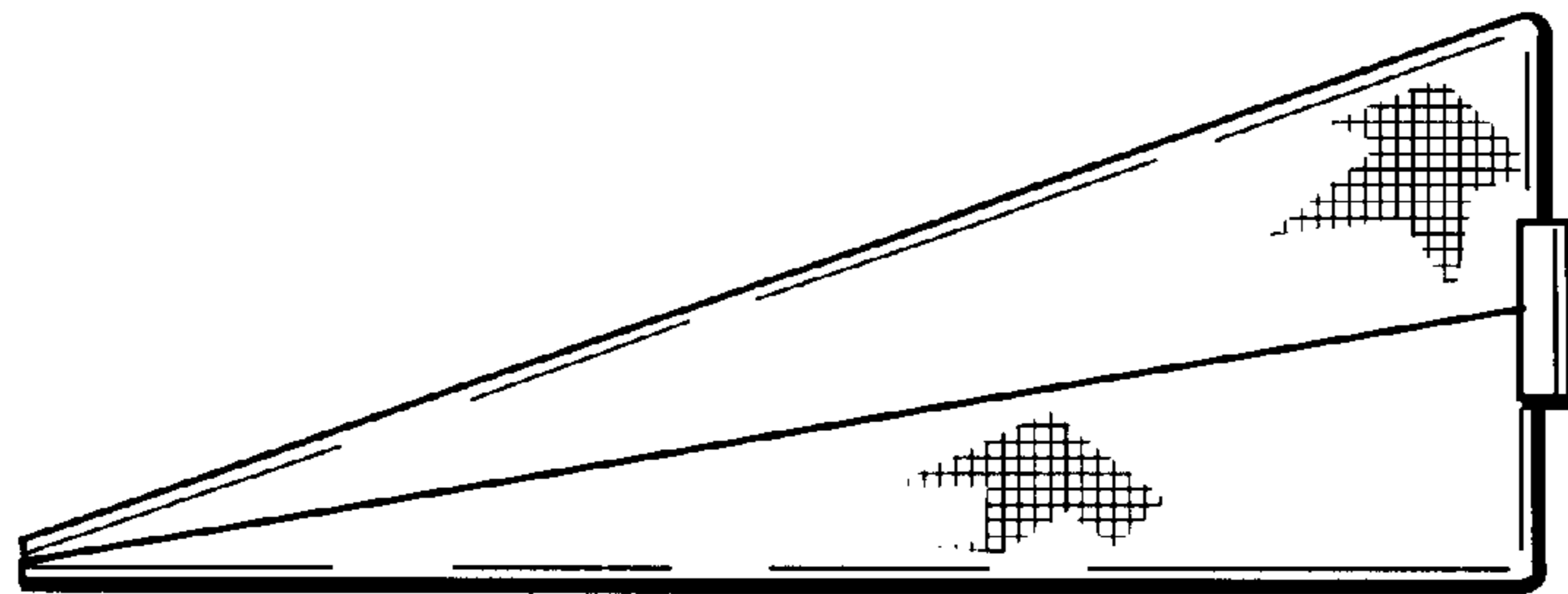


FIG. 2

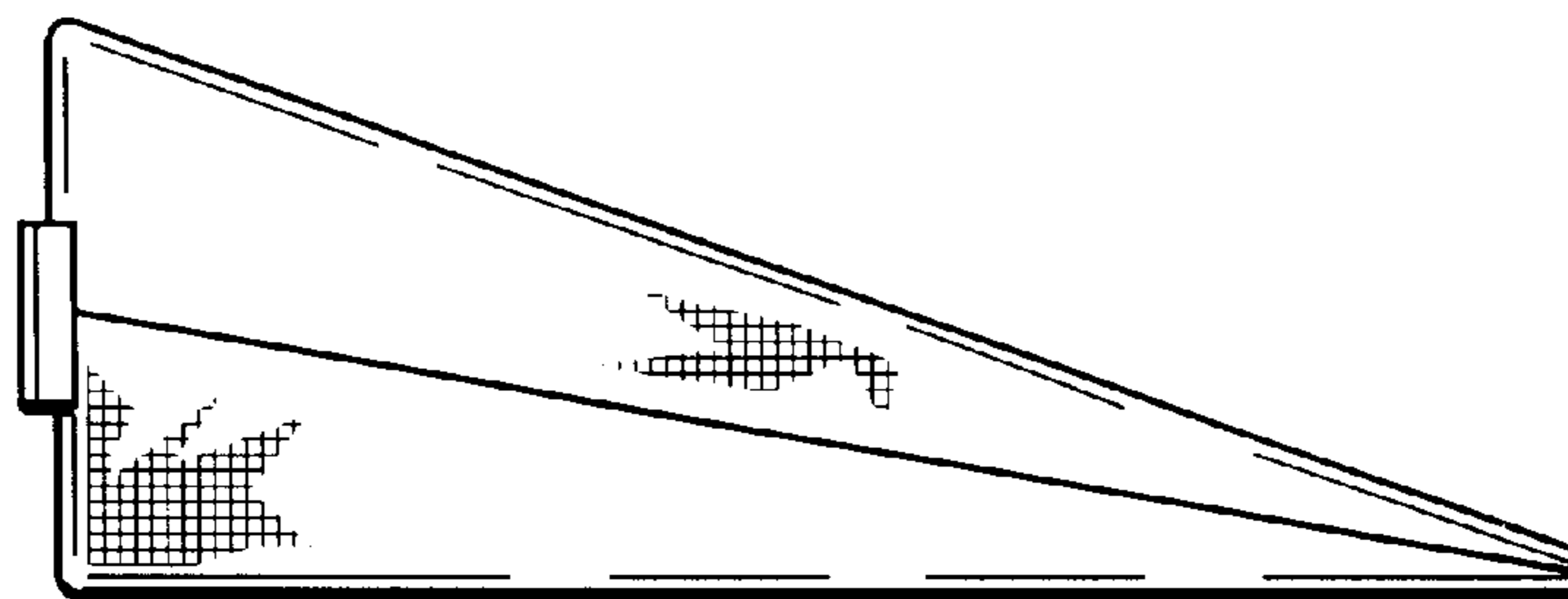


FIG. 3

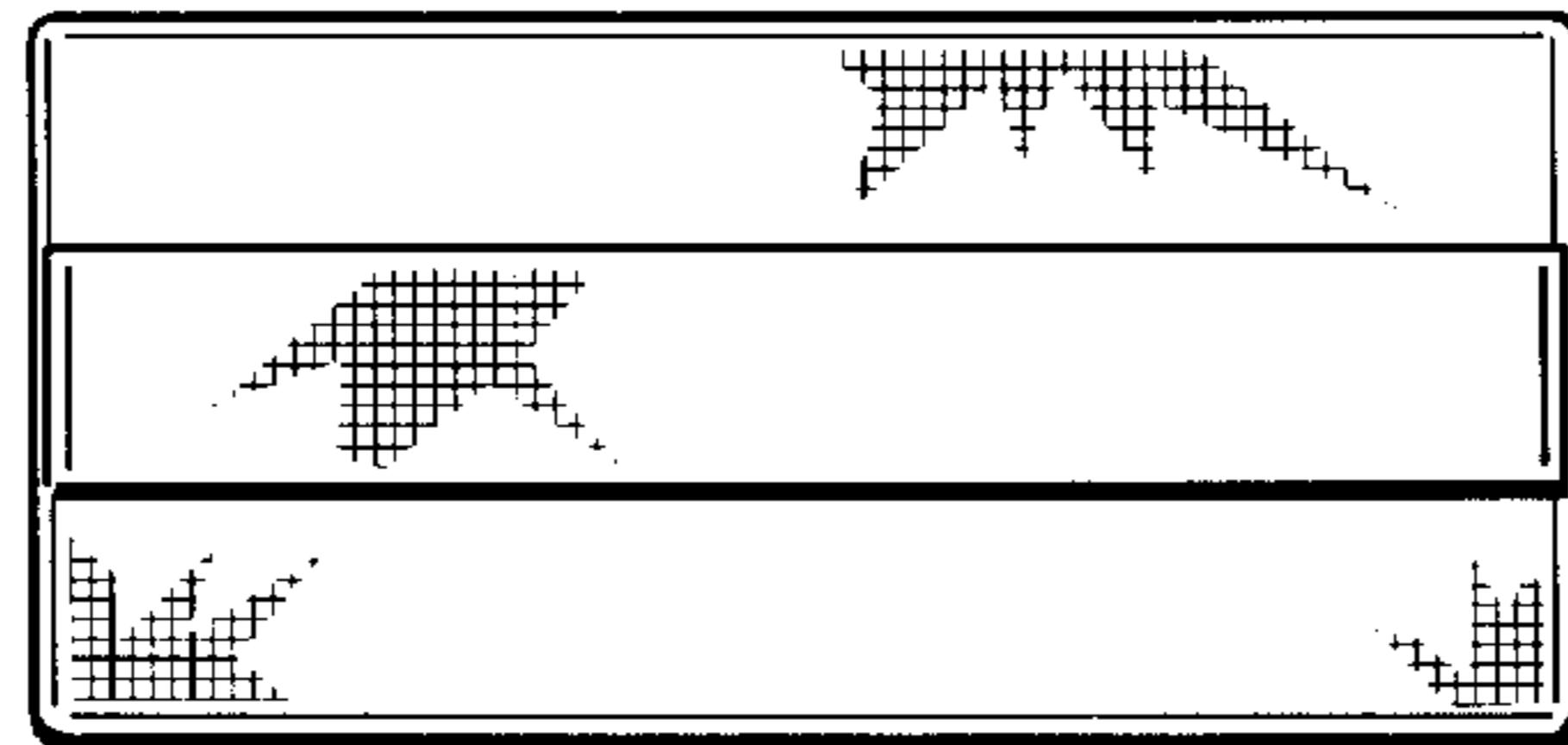


FIG. 4

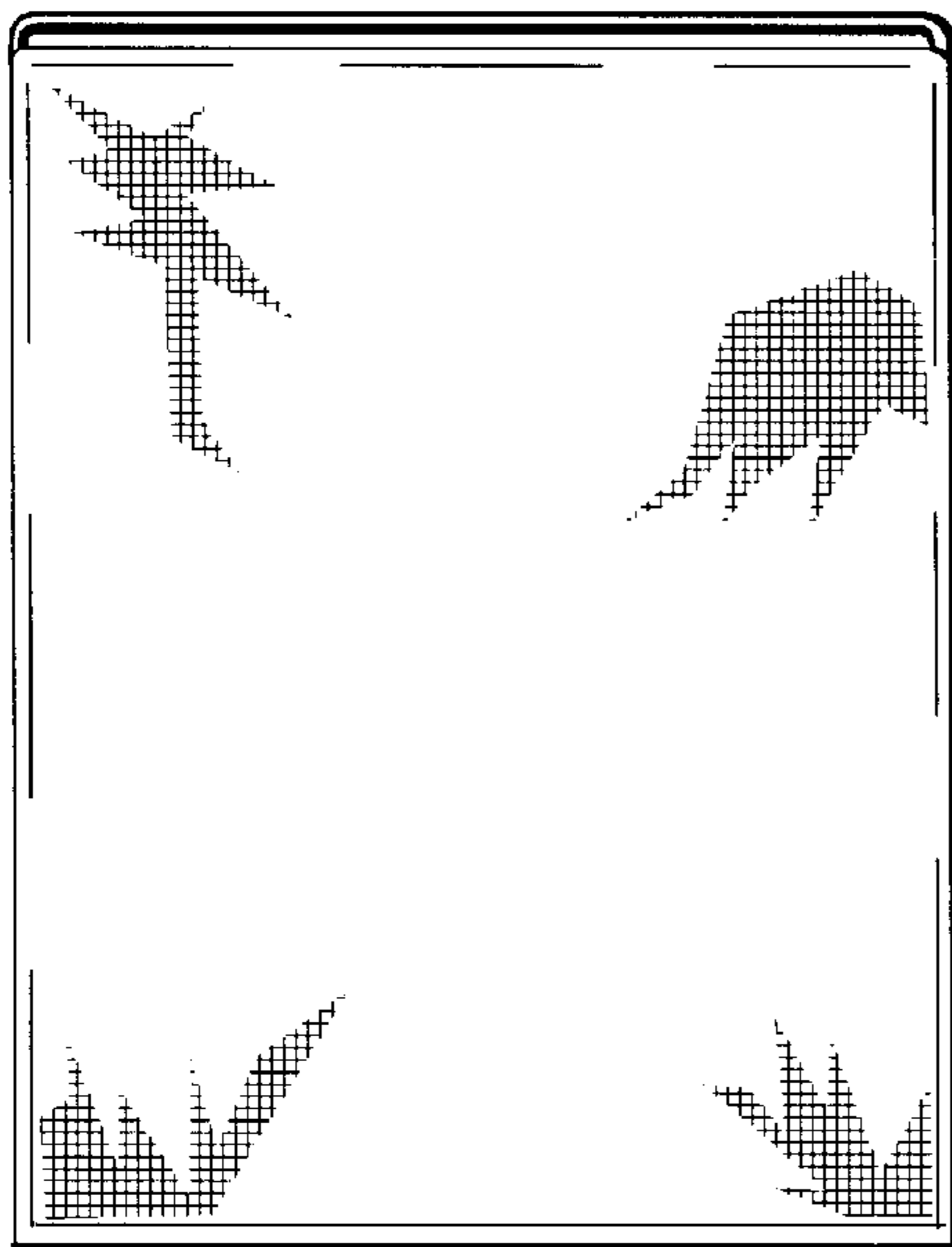


FIG. 5

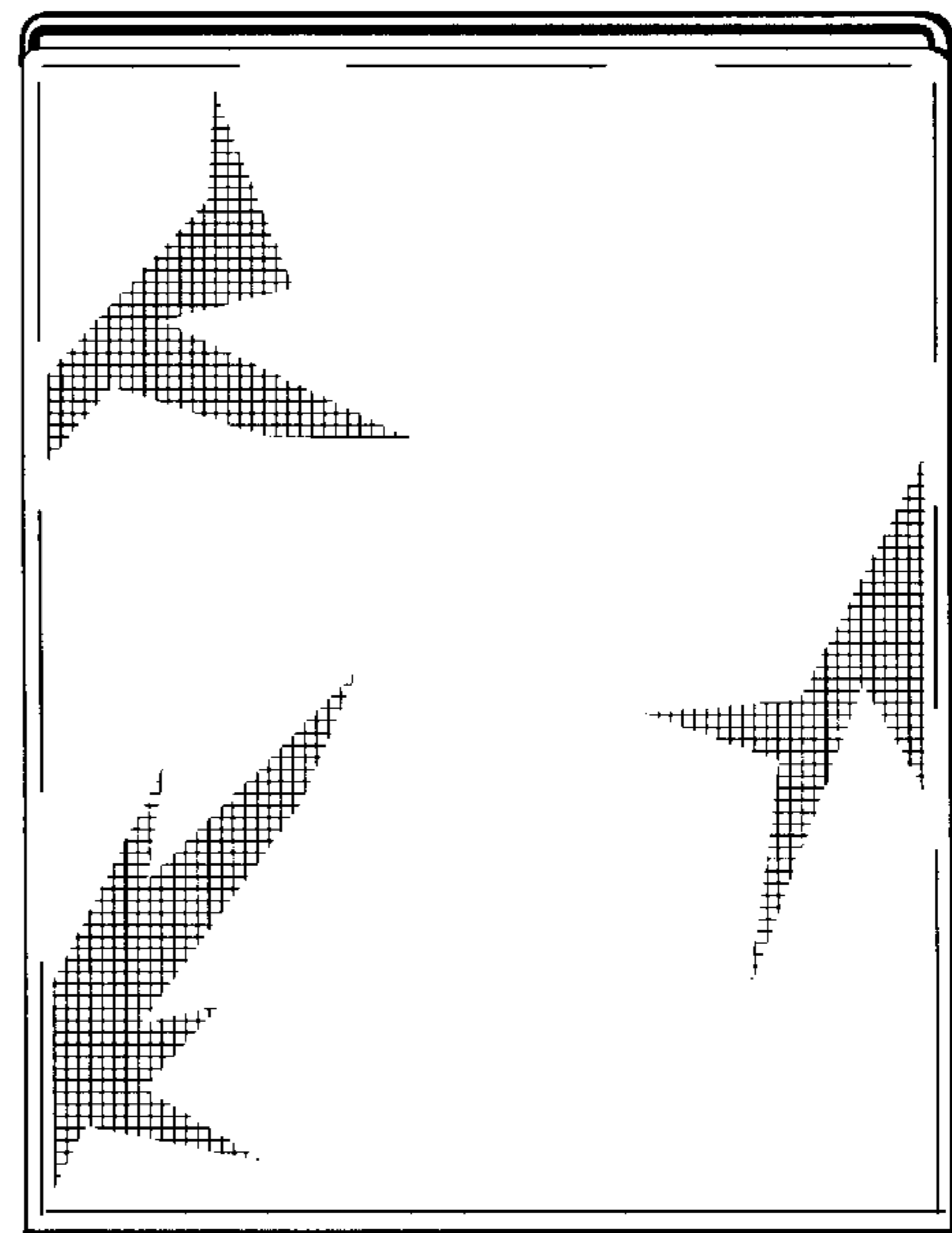


FIG. 6