



US00D476661S

(12) **United States Design Patent**
Mabbutt

(10) **Patent No.:** **US D476,661 S**

(45) **Date of Patent:** **** Jul. 1, 2003**

(54) **FOOTBALL FIELD MOUSE PAD**

(76) Inventor: **David L. Mabbutt**, 3700 22nd St., Apt. B, San Francisco, CA (US) 94114

(**) Term: **14 Years**

(21) Appl. No.: **29/170,697**

(22) Filed: **Nov. 11, 2002**

(51) **LOC (7) Cl.** **14-02**

(52) **U.S. Cl.** **D14/458**

(58) **Field of Search** D14/458, 459;
D6/596, 597, 613; 248/917-924, 442.2;
345/156-167; D21/339, 698

(56) **References Cited**

U.S. PATENT DOCUMENTS

D382,551 S	*	8/1997	Tran	D14/458
D388,414 S	*	12/1997	Carlson	D14/458
D399,833 S	*	10/1998	Barrette	D14/458
D425,048 S	*	5/2000	Lin	D14/458
D468,747 S	*	1/2003	Kwon	D14/451

* cited by examiner

Primary Examiner—Kay H. Chin

(74) *Attorney, Agent, or Firm*—Edwin A. Skoch

(57) **CLAIM**

I claim the ornamental design for a football field mouse pad, as shown and described.

DESCRIPTION

FIG. 1 is a top perspective view of a football field mouse pad showing my new design;

FIG. 2 is a top plan view thereof;

FIG. 3 is a bottom plan view thereof;

FIG. 4 is a front elevation view thereof;

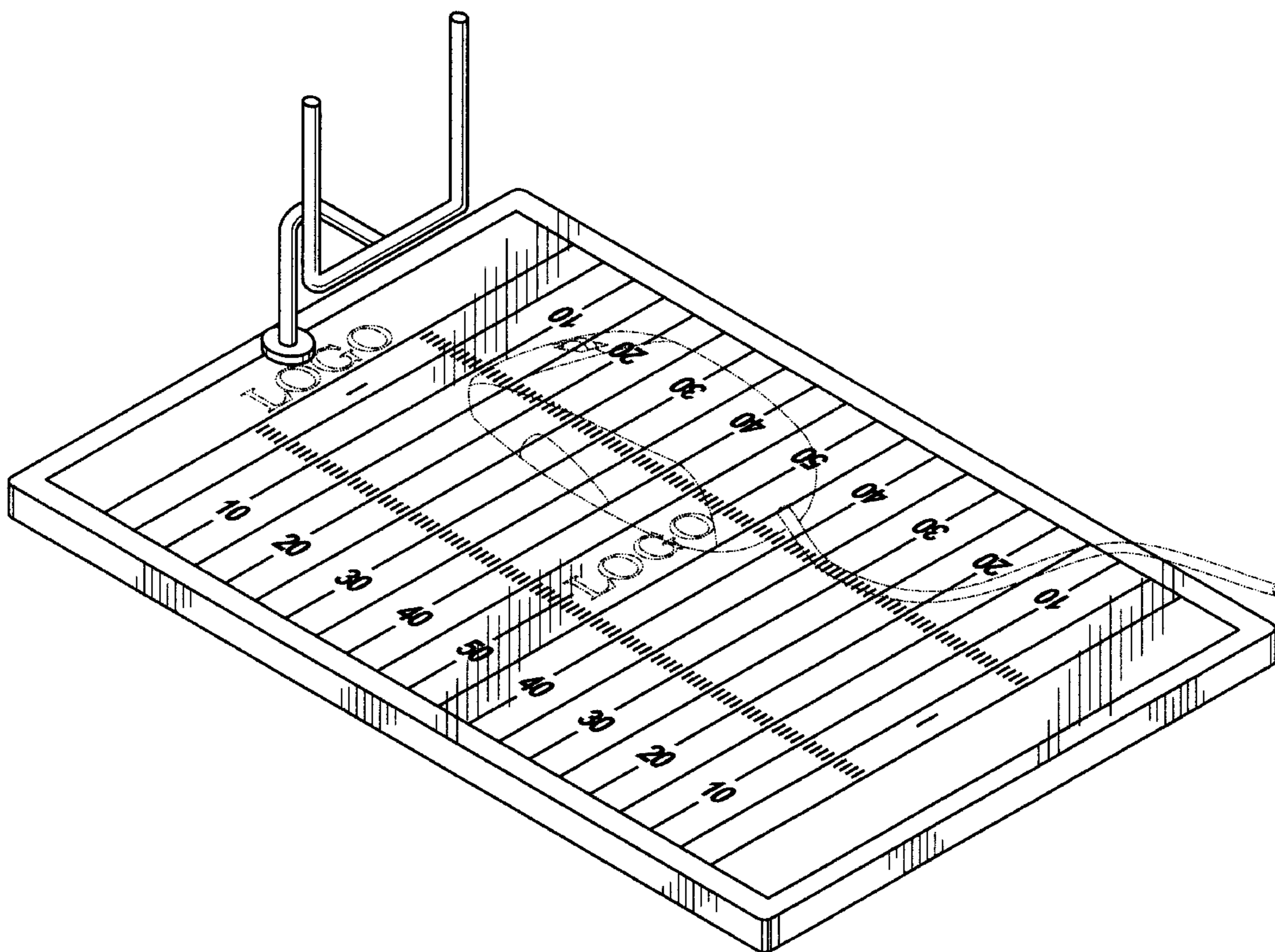
FIG. 5 is a rear elevation view thereof;

FIG. 6 is a left side elevation view thereof; and,

FIG. 7 is a second embodiment of the football field mouse pad.

The broken line illustration of the computer mouse and logos shown in views are for illustrative purposes only and form no part of the claimed design.

1 Claim, 3 Drawing Sheets



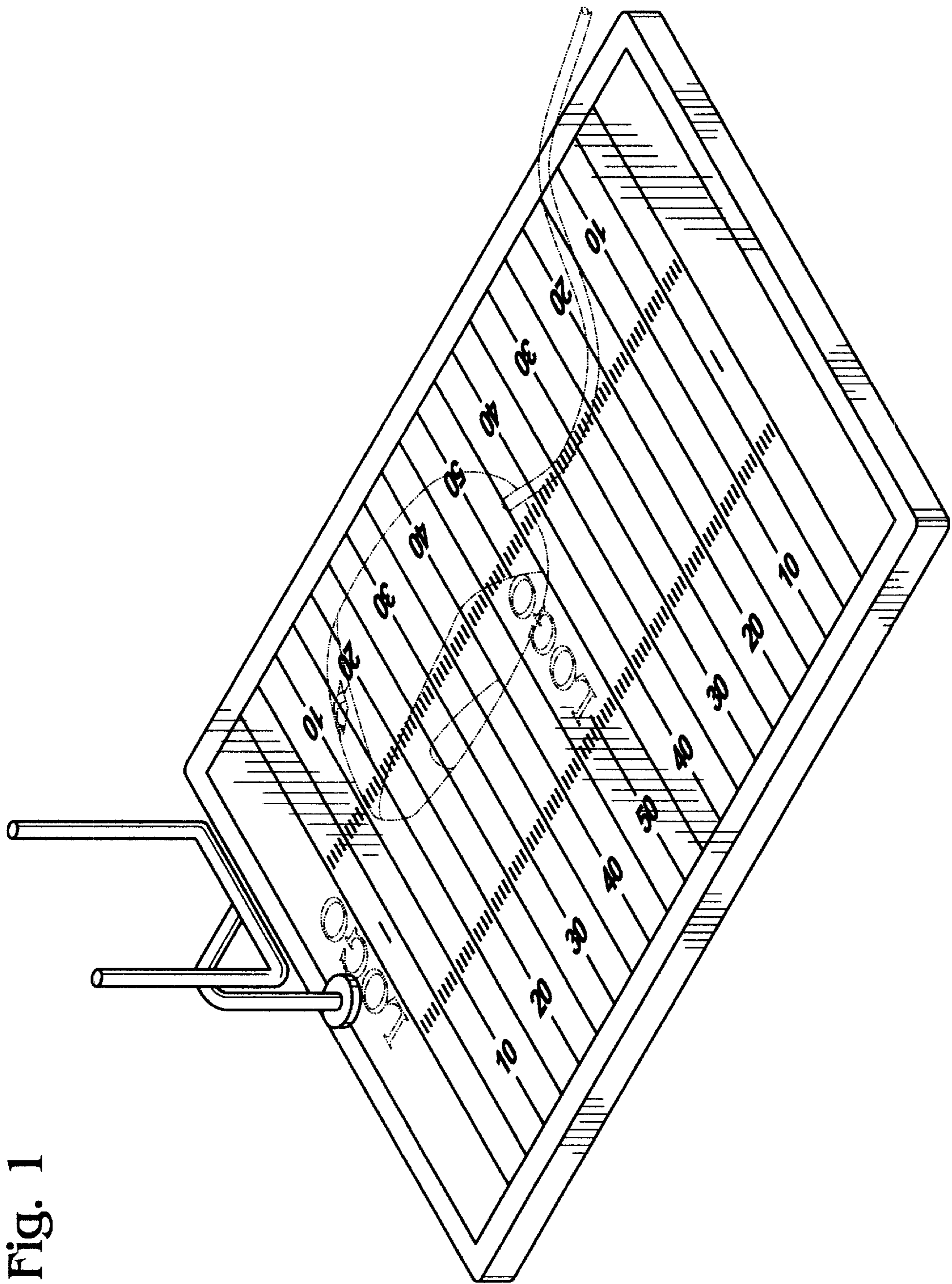


Fig. 1

Fig. 2

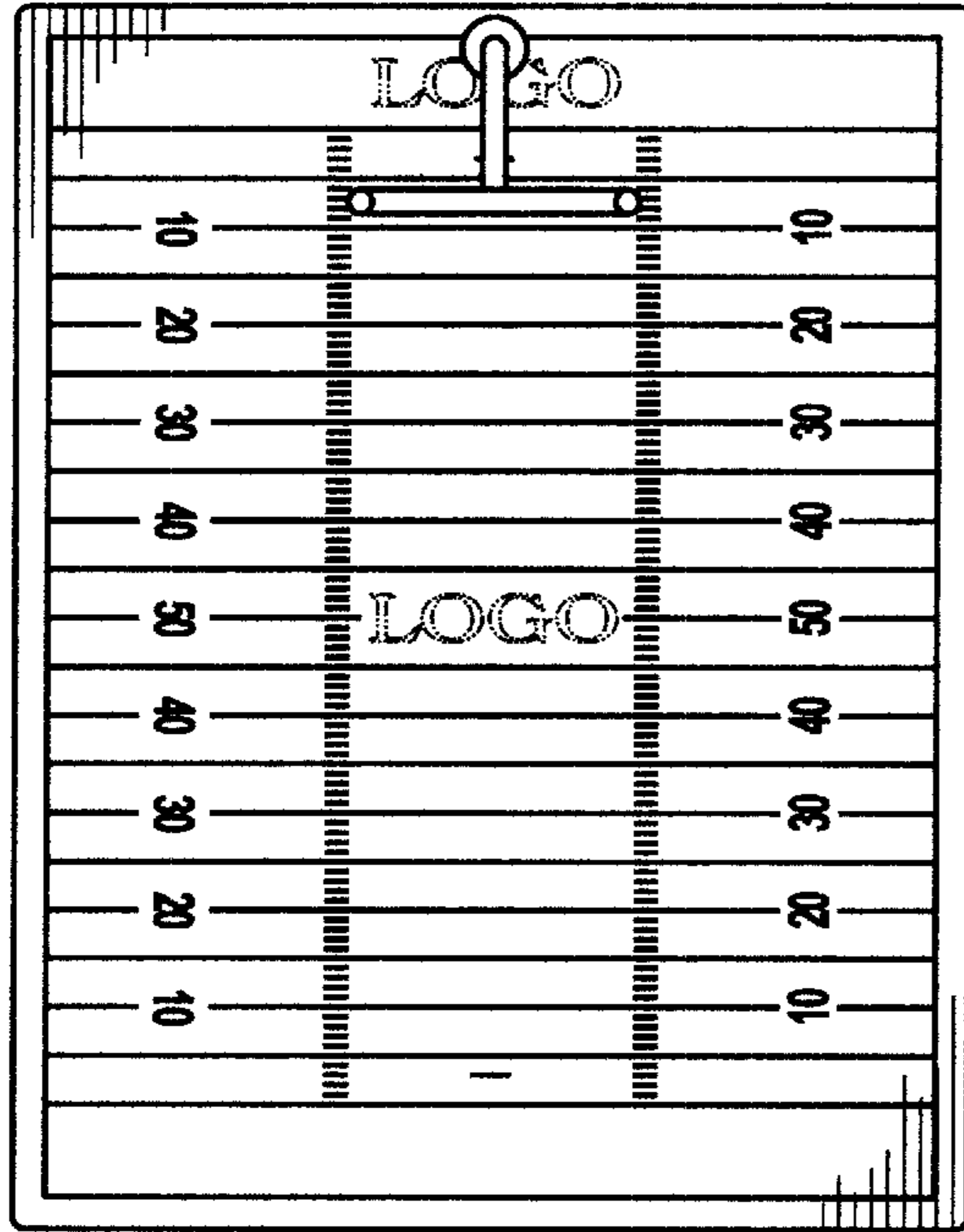


Fig. 3

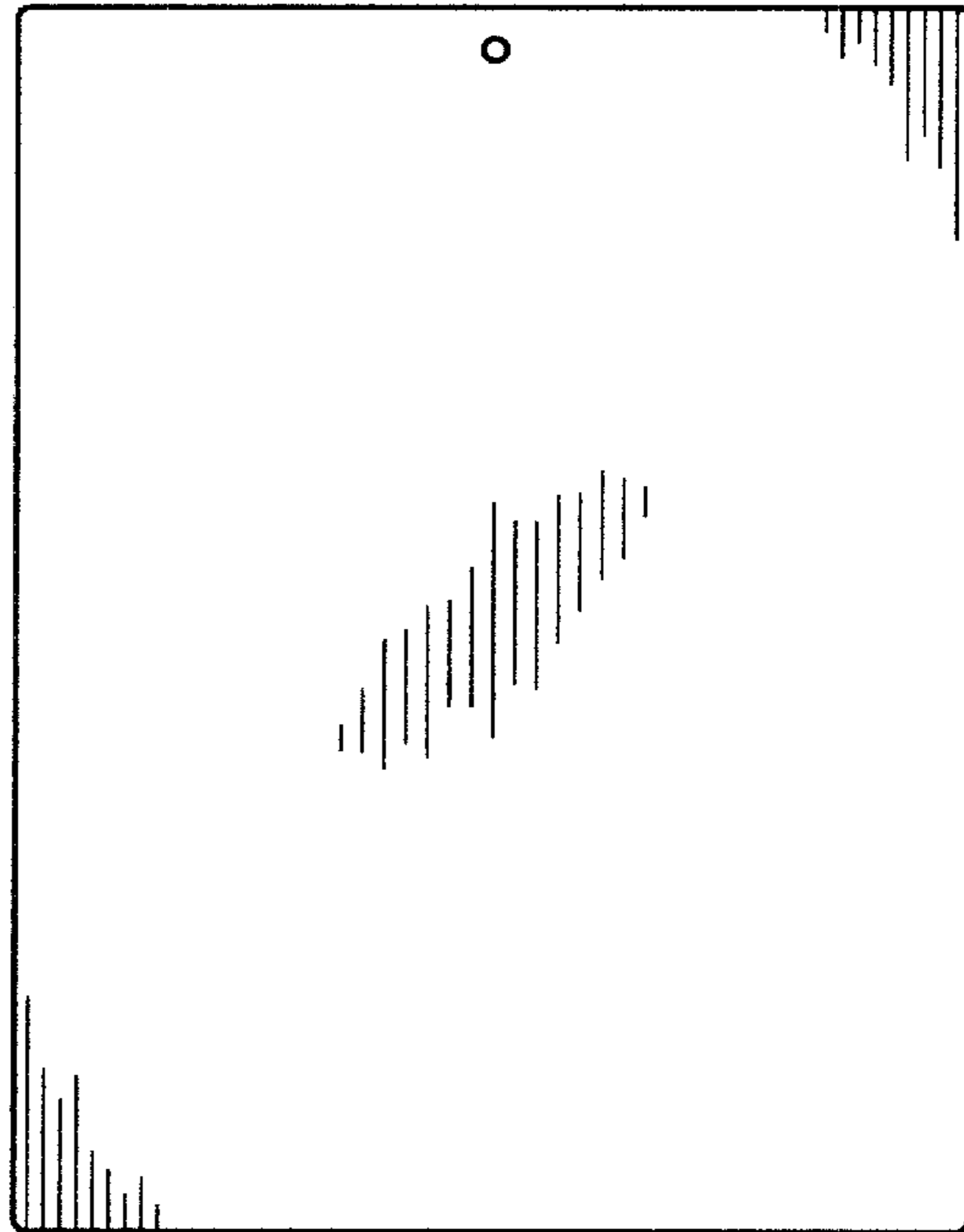


Fig. 4

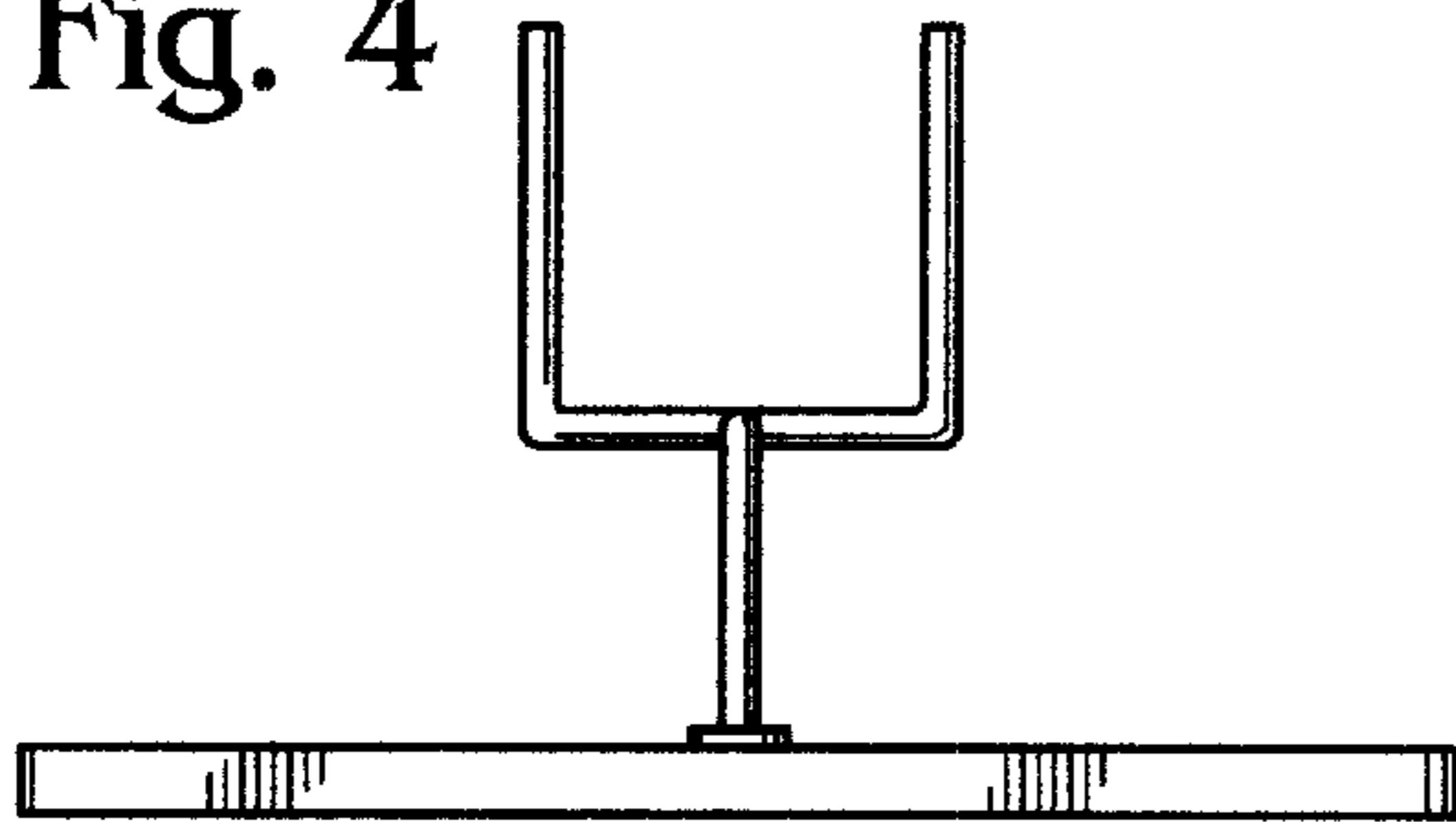


Fig. 5

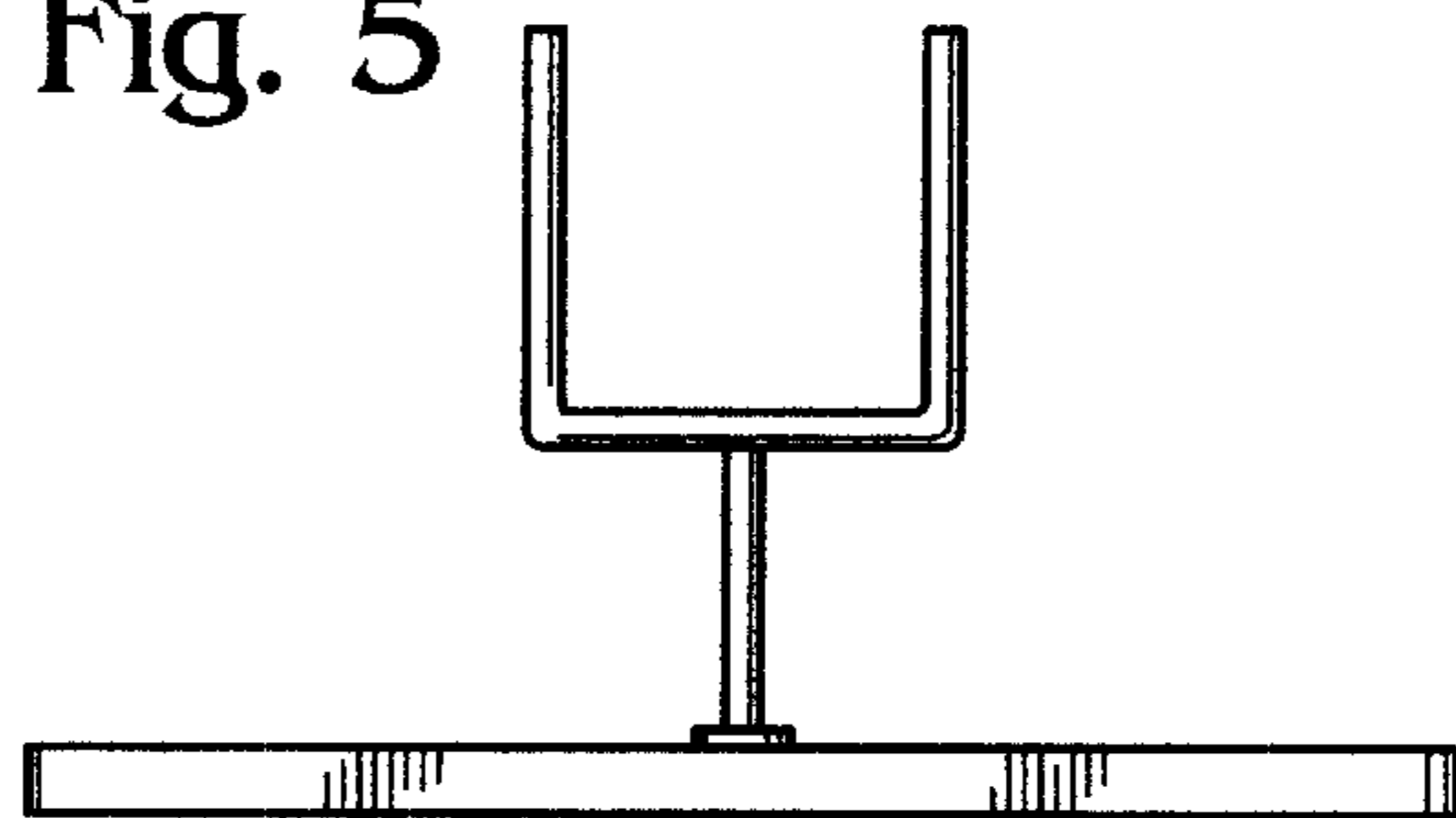
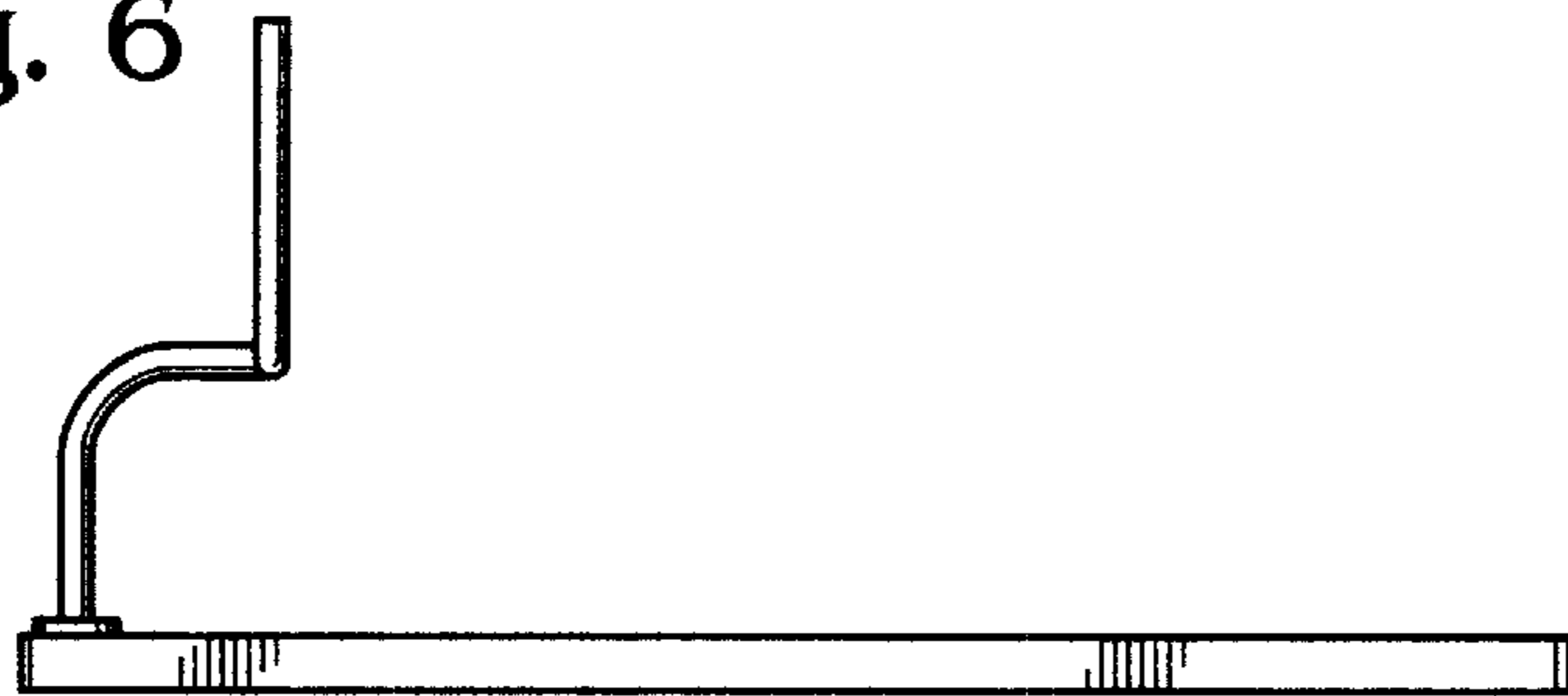


Fig. 6



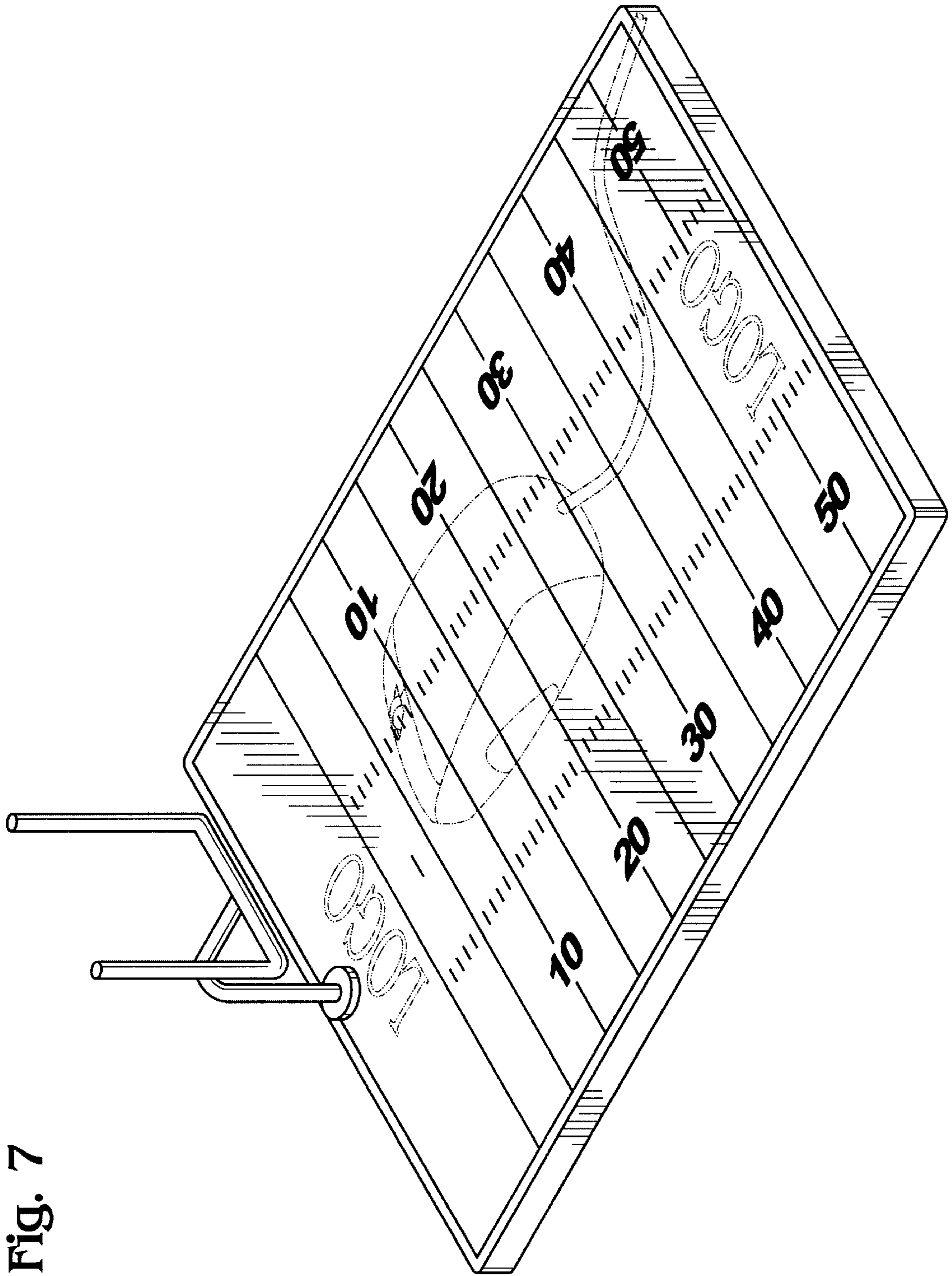


Fig. 7