



US00D476660S

(12) **United States Design Patent**
Tanaka et al.

(10) **Patent No.:** **US D476,660 S**

(45) **Date of Patent:** **** Jul. 1, 2003**

(54) **CARTRIDGE FOR GAME MACHINE**

(75) Inventors: **Hirokazu Tanaka**, Chuo-ku (JP);
Tsushima Takada, Kyoto (JP); **Naoya Kawanobe**, Kyoto (JP)

(73) Assignees: **Creatures Inc.** (JP); **Nintendo Co., Ltd.** (JP)

(**) Term: **14 Years**

(21) Appl. No.: **29/150,230**

(22) Filed: **Nov. 15, 2001**

(30) **Foreign Application Priority Data**

May 16, 2001 (JP) 2001-014053

(51) **LOC (7) Cl.** **14-02**

(52) **U.S. Cl.** **D14/435; D21/332**

(58) **Field of Search** D14/432-438,
D14/164, 165; D21/324, 332, 333; 369/291,
292, 77.2, 75.1; 463/1, 29-35, 43-47

(56) **References Cited**

U.S. PATENT DOCUMENTS

D350,353 S * 9/1994 Schulman D14/188
D382,868 S 8/1997 Ashida
D404,081 S 1/1999 Ota et al.

D405,477 S 2/1999 Ota et al.
D415,534 S 10/1999 Ashida
D434,417 S * 11/2000 Lin D14/435
D449,078 S 10/2001 Fujita
D452,281 S 12/2001 Ohno

* cited by examiner

Primary Examiner—Kay H. Chin

(74) *Attorney, Agent, or Firm*—Nixon & Vanderhye P.C.

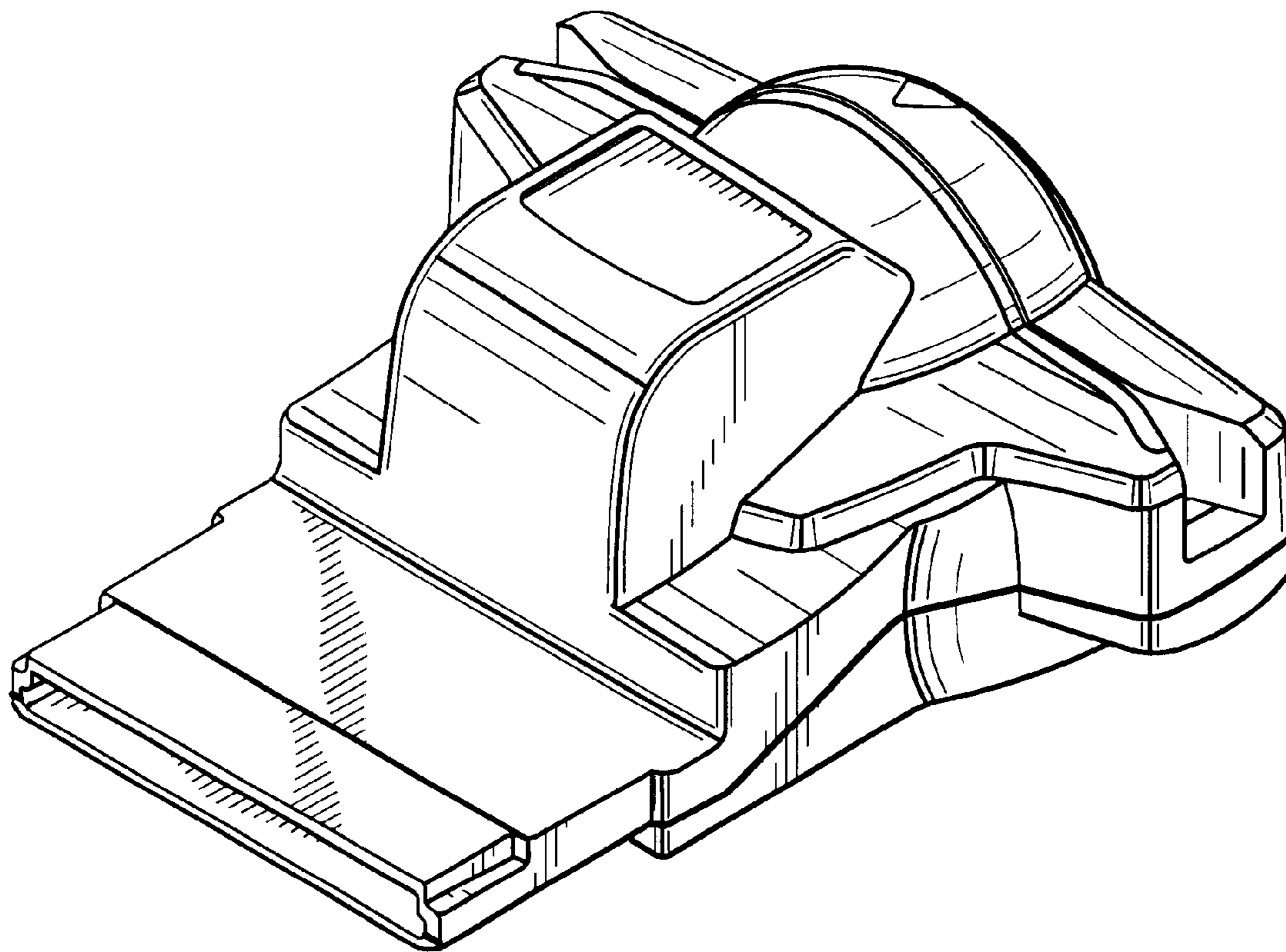
(57) **CLAIM**

The ornamental design for a “cartridge for game machine”, as shown and described.

DESCRIPTION

FIG. 1 is a front elevational view of a cartridge for game machine;
FIG. 2 is a top plan view thereof;
FIG. 3 is a rear elevational view thereof;
FIG. 4 is a bottom plan view thereof;
FIG. 5 is a right side view thereof;
FIG. 6 is a top, front and right side perspective view thereof;
FIG. 7 is a top, rear and left side perspective view thereof;
FIG. 8 is a front, bottom and left side perspective view thereof; and,
FIG. 9 is a rear, bottom and right side perspective view thereof.

1 Claim, 5 Drawing Sheets



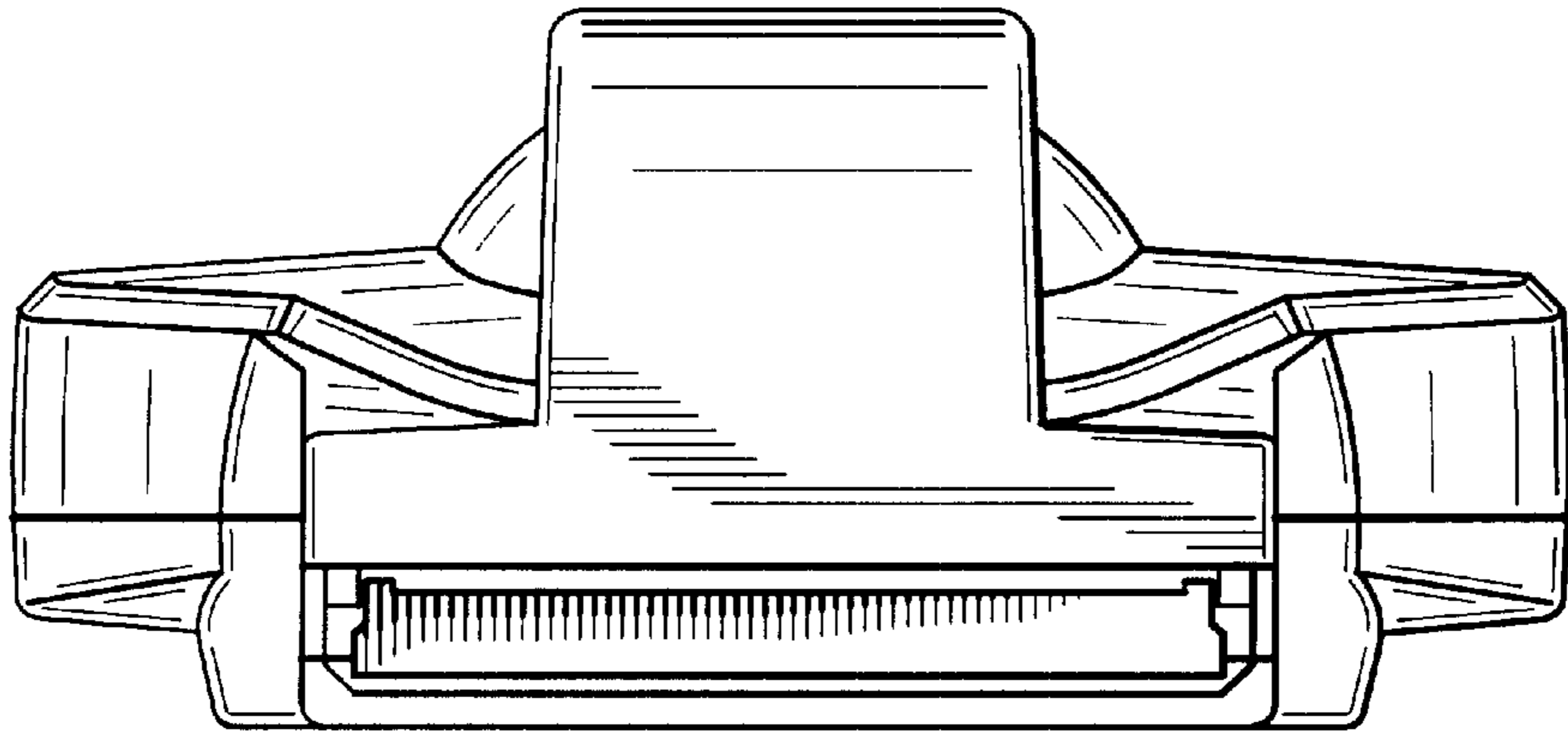


Fig. 1

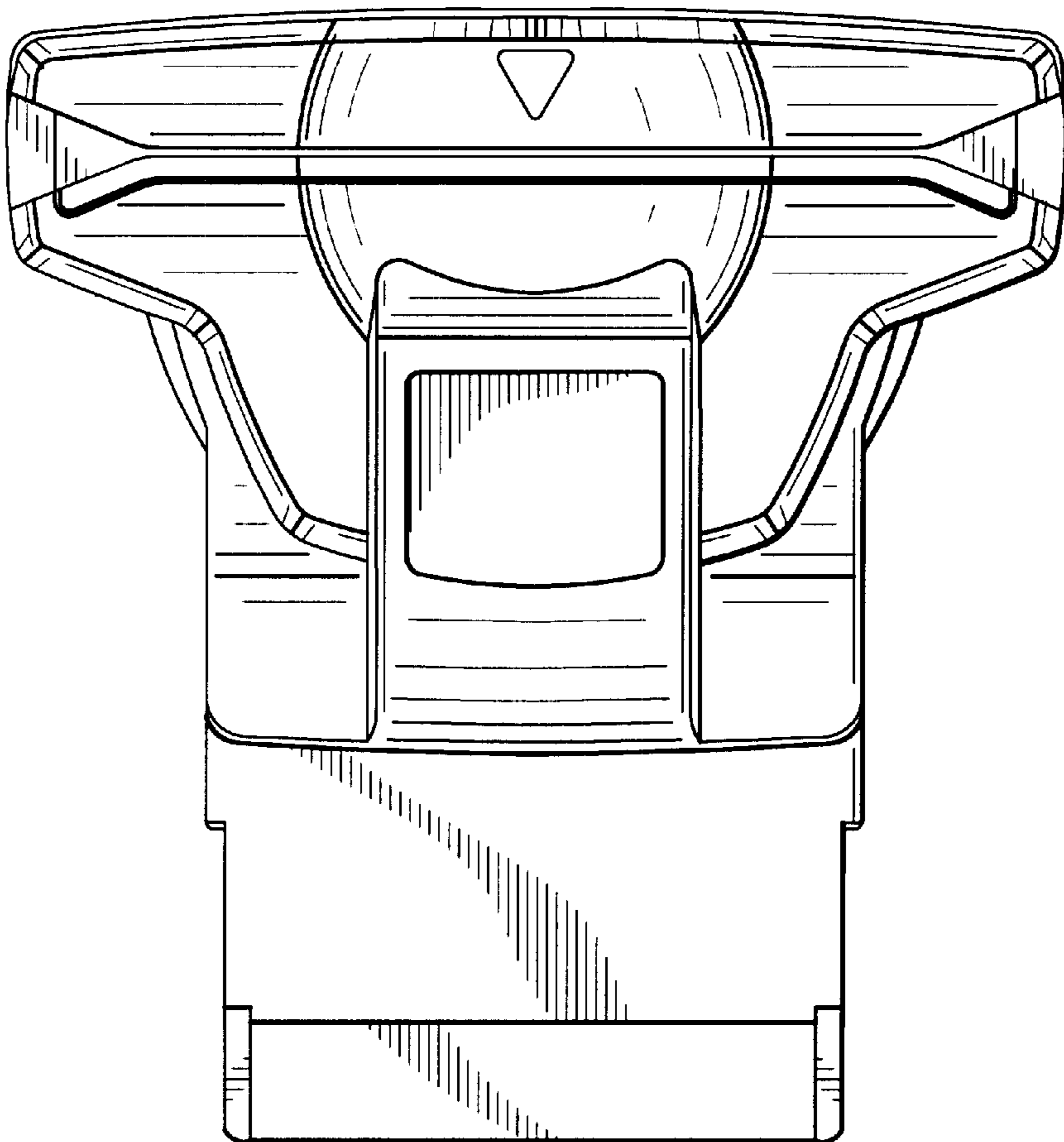


Fig. 2

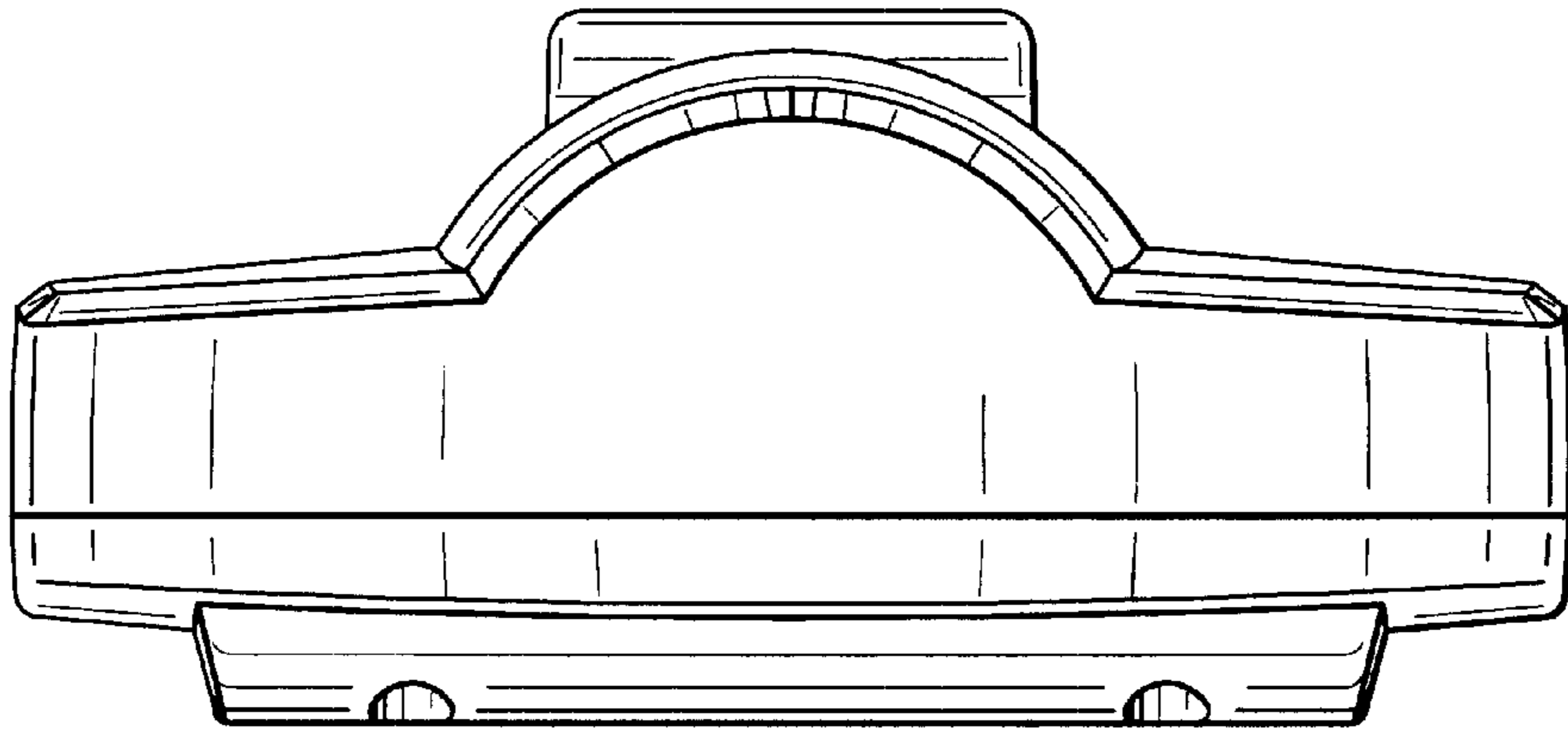


Fig. 3

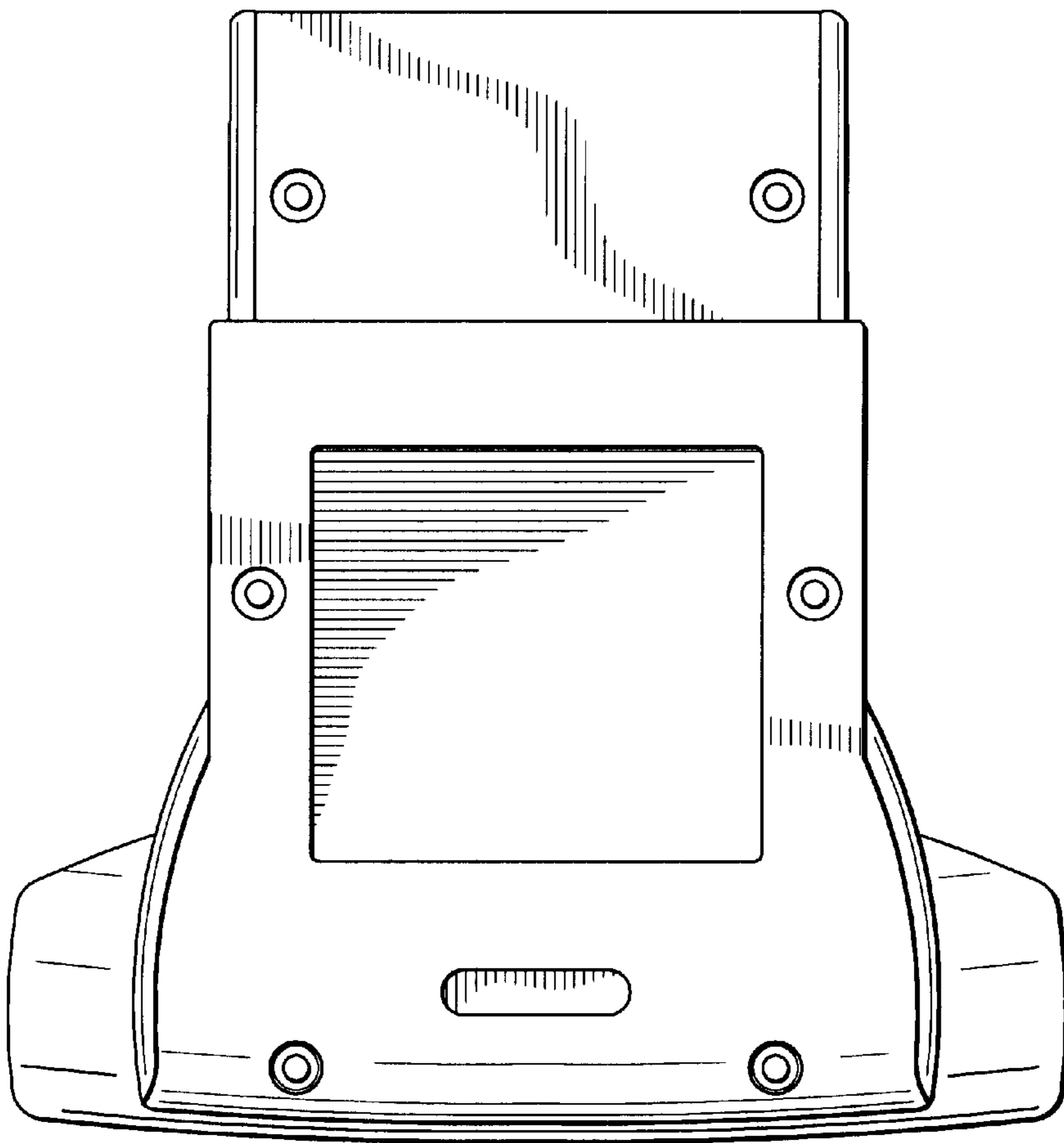


Fig. 4

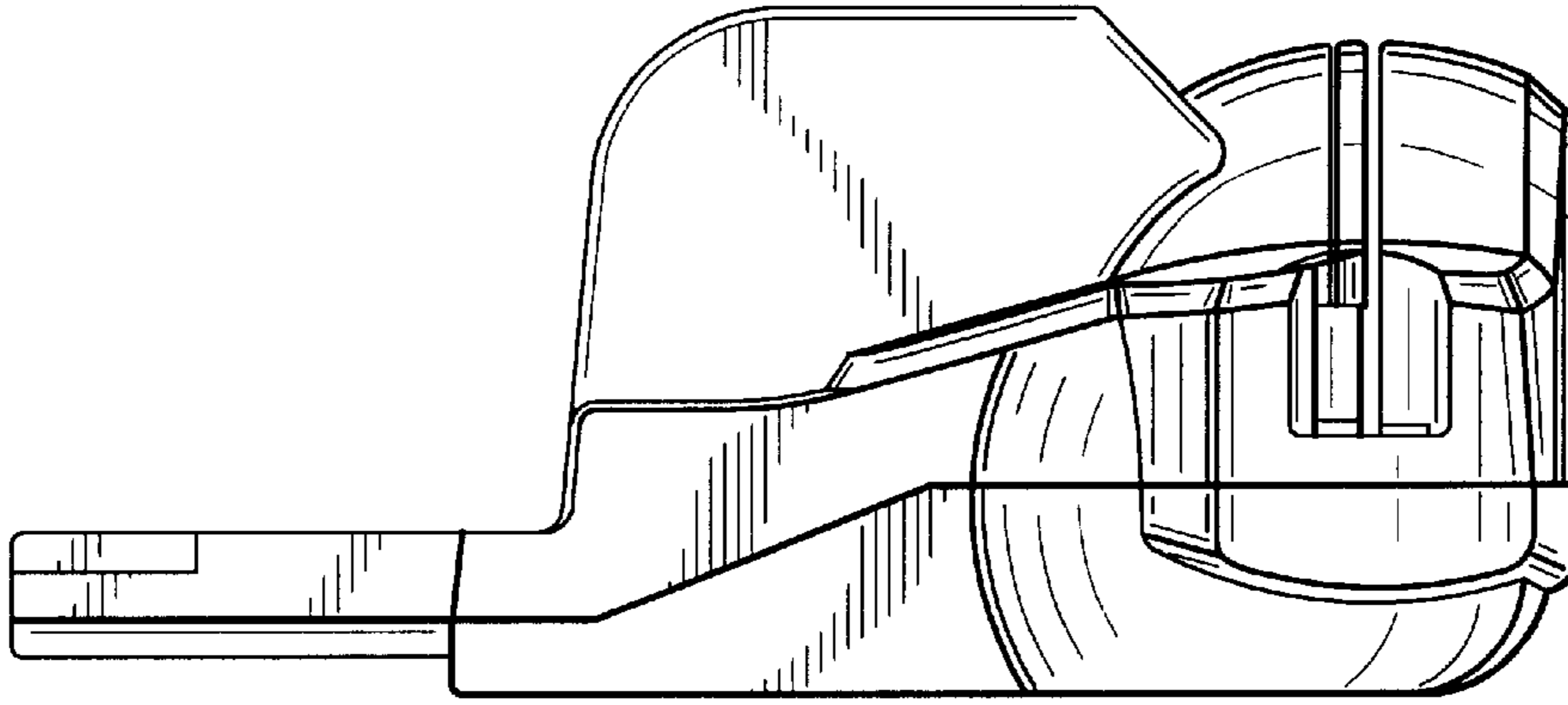


Fig. 5

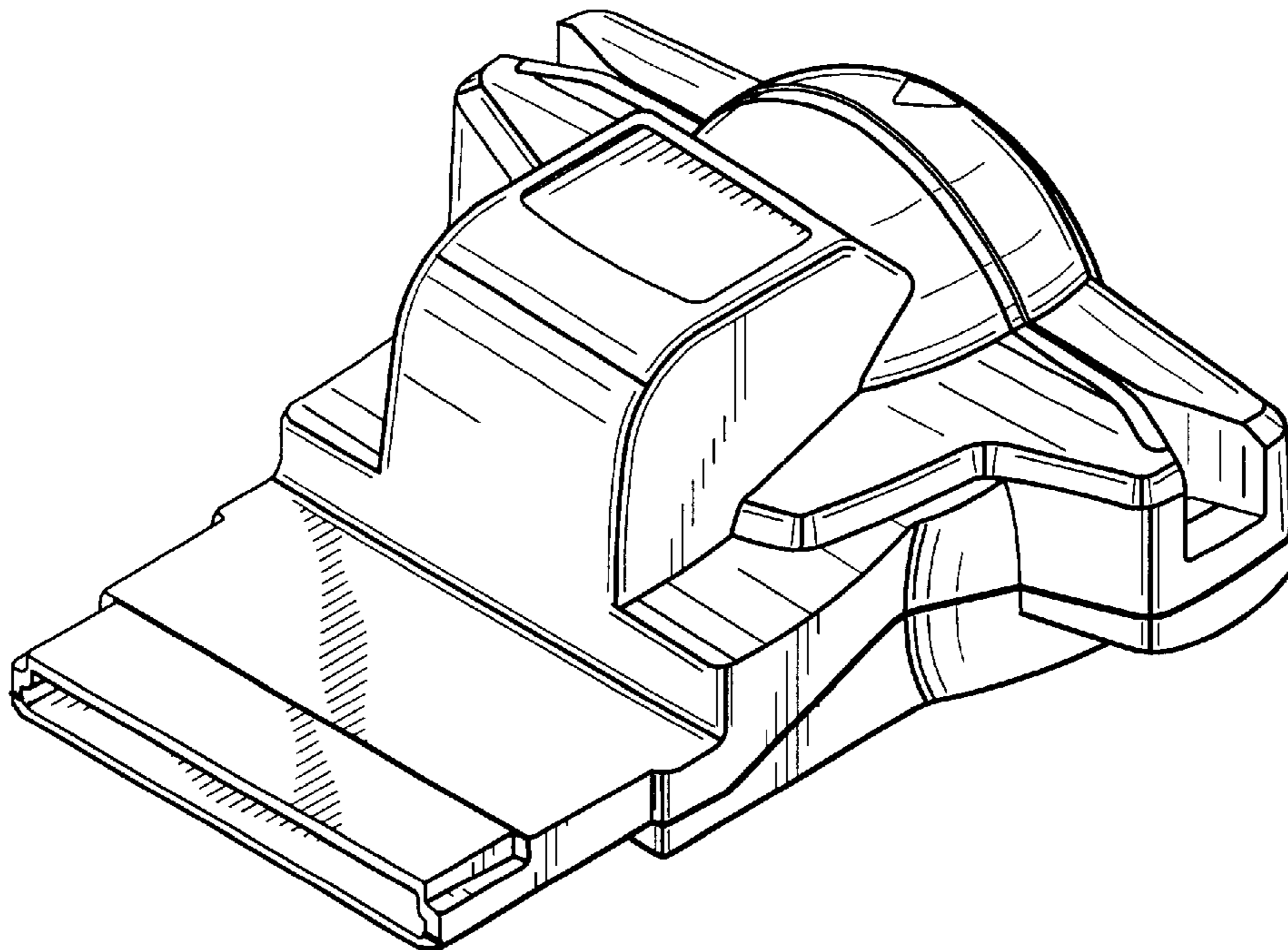


Fig. 6

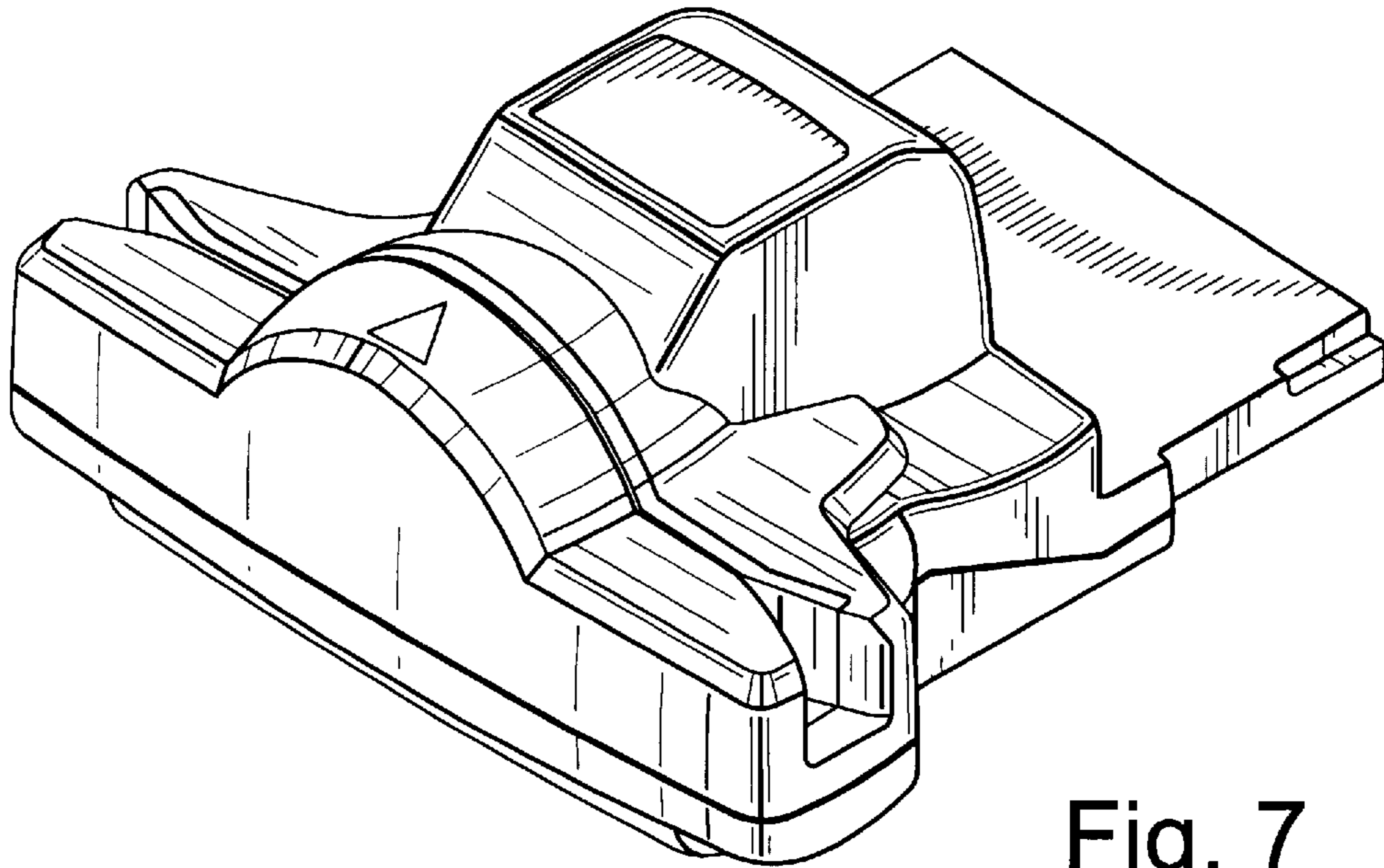


Fig. 7

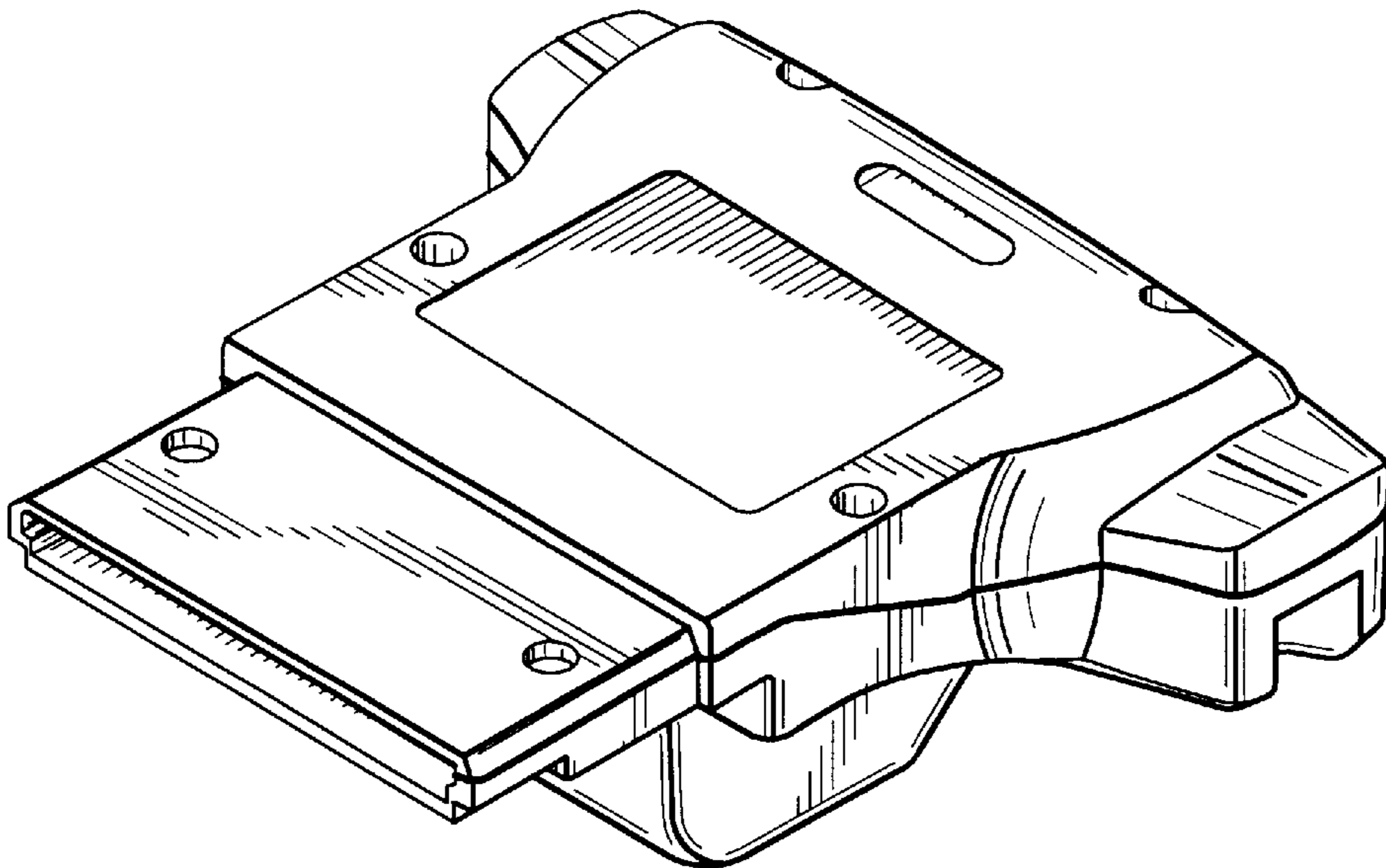


Fig. 8

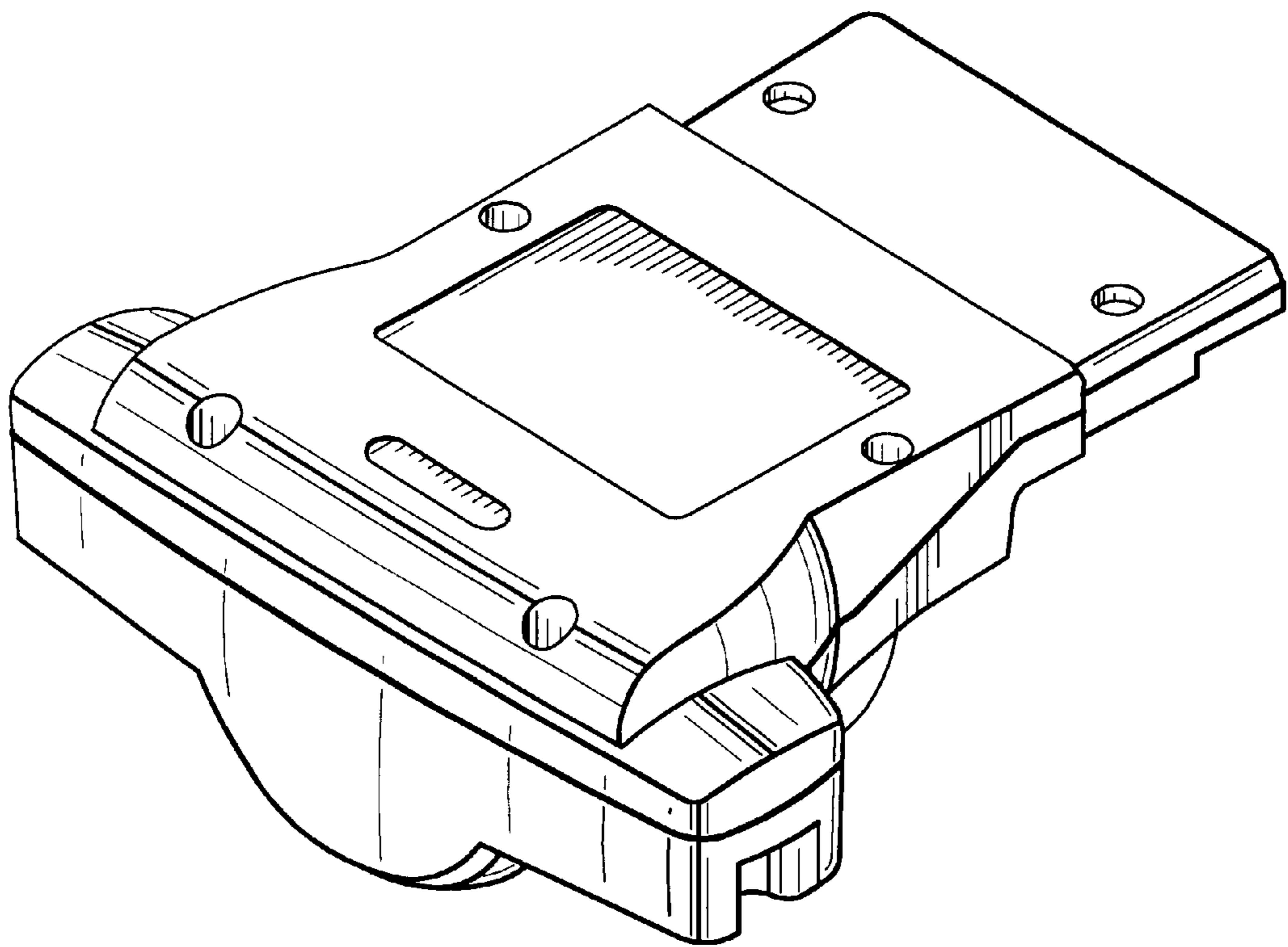


Fig. 9