



US00D476659S

(12) **United States Design Patent**  
**Ying et al.**

(10) **Patent No.:** **US D476,659 S**

(45) **Date of Patent:** **\*\* Jul. 1, 2003**

(54) **DOCKING STATION**

(75) Inventors: **Alan J. Ying**, Durham, NC (US);  
**William T. Lawson**, Apex, NC (US);  
**Stanley S. Coe**, Raleigh, NC (US)

(73) Assignee: **MercuryMD, Inc.**, Durham, NC (US)

(\*\*) Term: **14 Years**

(21) Appl. No.: **29/161,351**

(22) Filed: **May 28, 2002**

(51) **LOC (7) Cl.** ..... **14-02**

(52) **U.S. Cl.** ..... **D14/434**

(58) **Field of Search** ..... D14/432, 434,  
D14/447, 451; D13/107, 108, 118; 361/681,  
679, 680, 682, 683, 686, 687, 724-727;  
320/107-115

(56) **References Cited**

**U.S. PATENT DOCUMENTS**

5,465,038 A	11/1995	Register	320/2
5,530,578 A	6/1996	Takemoto et al.	359/152
5,822,101 A	10/1998	Deguchi	359/172
5,859,628 A	1/1999	Ross et al.	345/173
5,864,708 A	1/1999	Croft et al.	395/821
5,900,958 A	5/1999	Nakamura	359/159
5,903,374 A	5/1999	Kobayashi	359/159

6,104,606 A	8/2000	Vossler	361/686
6,115,160 A	9/2000	Anzai et al.	359/152
6,230,214 B1	5/2001	Liukkonen et al.	710/1
6,236,486 B1	5/2001	Nocker, IV	359/159
D444,472 S *	7/2001	Russell et al.	D14/434
D461,814 S *	8/2002	Felix et al.	D14/434

\* cited by examiner

*Primary Examiner*—Kay H. Chin

(74) *Attorney, Agent, or Firm*—Myers Bigel Sibley & Sajovec

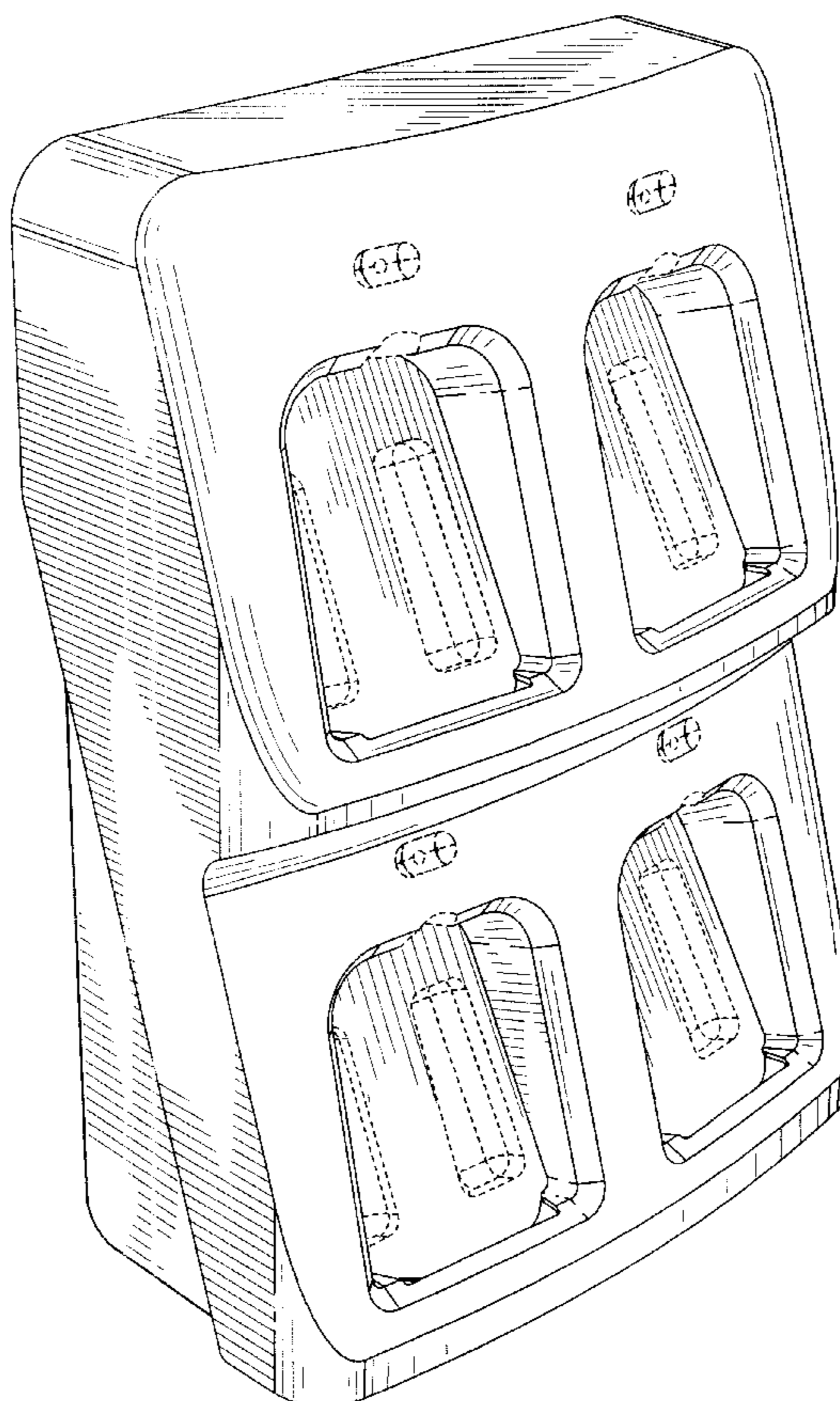
(57) **CLAIM**

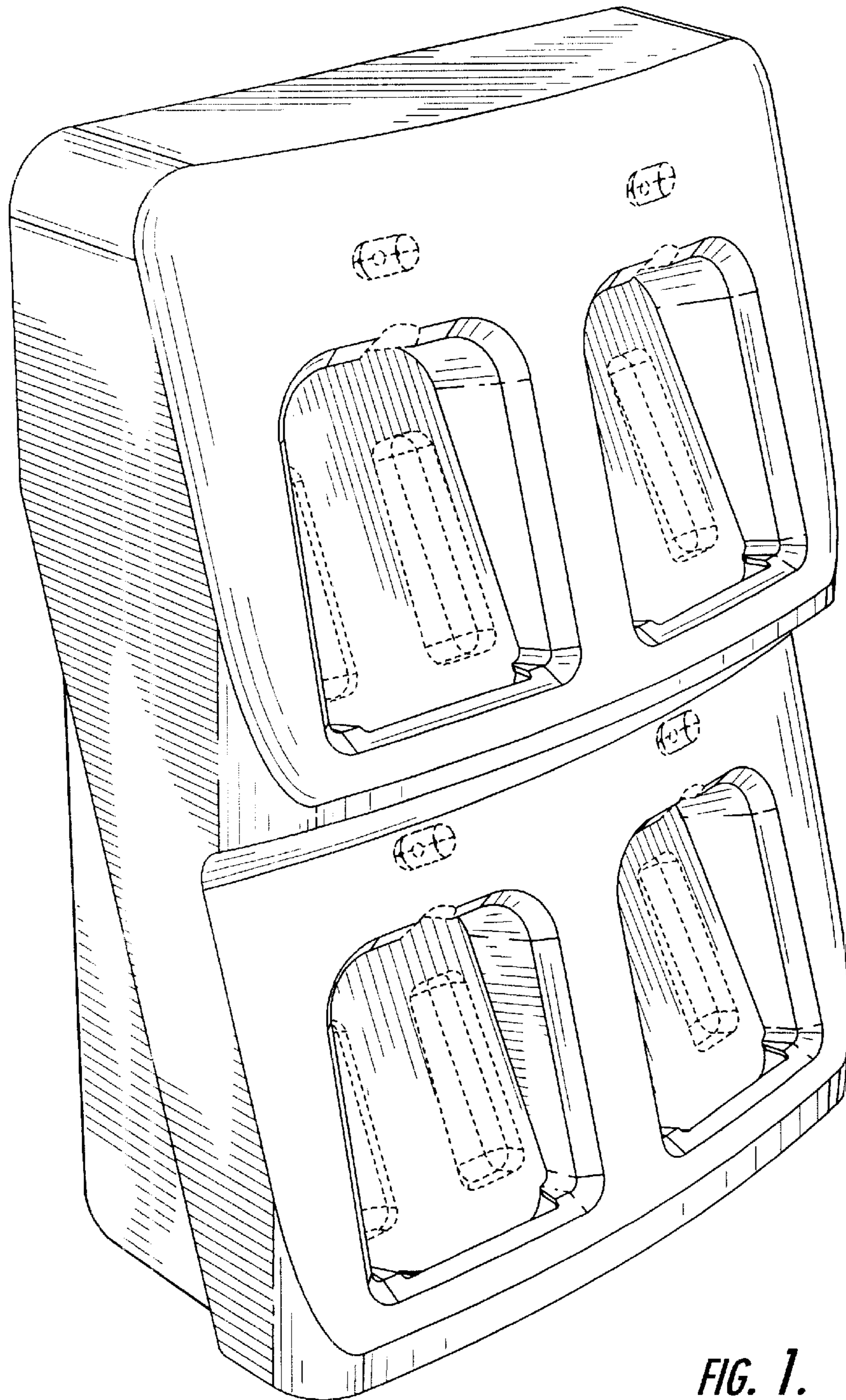
The ornamental design for a docking station, as shown and described.

**DESCRIPTION**

FIG. 1 is a perspective view of a docking station, showing my new design;  
FIG. 2 is a front elevation view thereof;  
FIG. 3 is a side elevational view thereof;  
FIG. 4 is a rear elevational view thereof;  
FIG. 5 is a side elevational view thereof, opposite that shown in FIG. 3;  
FIG. 6 is a bottom elevational view thereof; and,  
FIG. 7 is a top elevational view thereof.  
The broken lines shown herein are for illustrative purposes only and form no part of the claimed design.

**1 Claim, 6 Drawing Sheets**





*FIG. 1.*

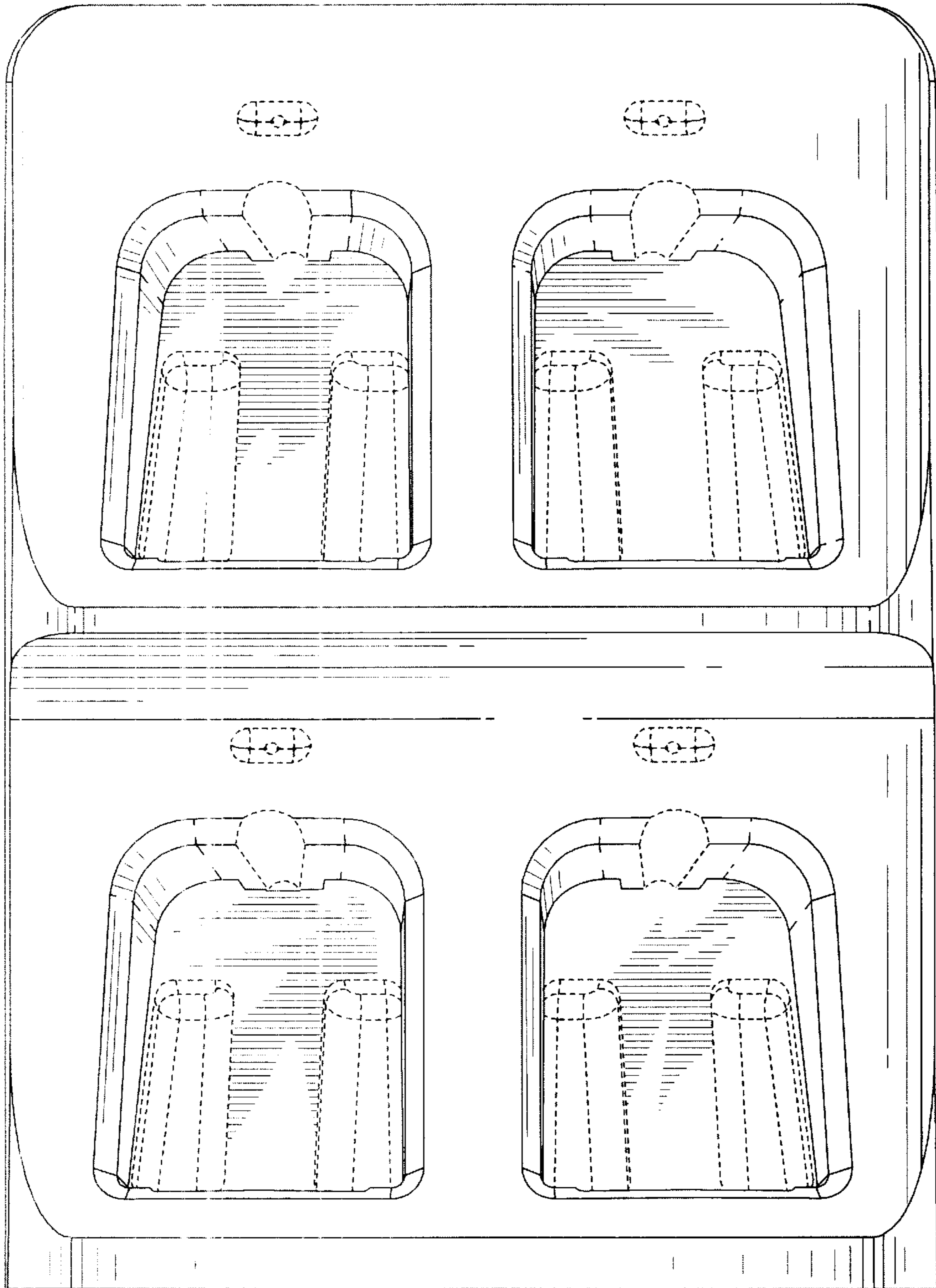
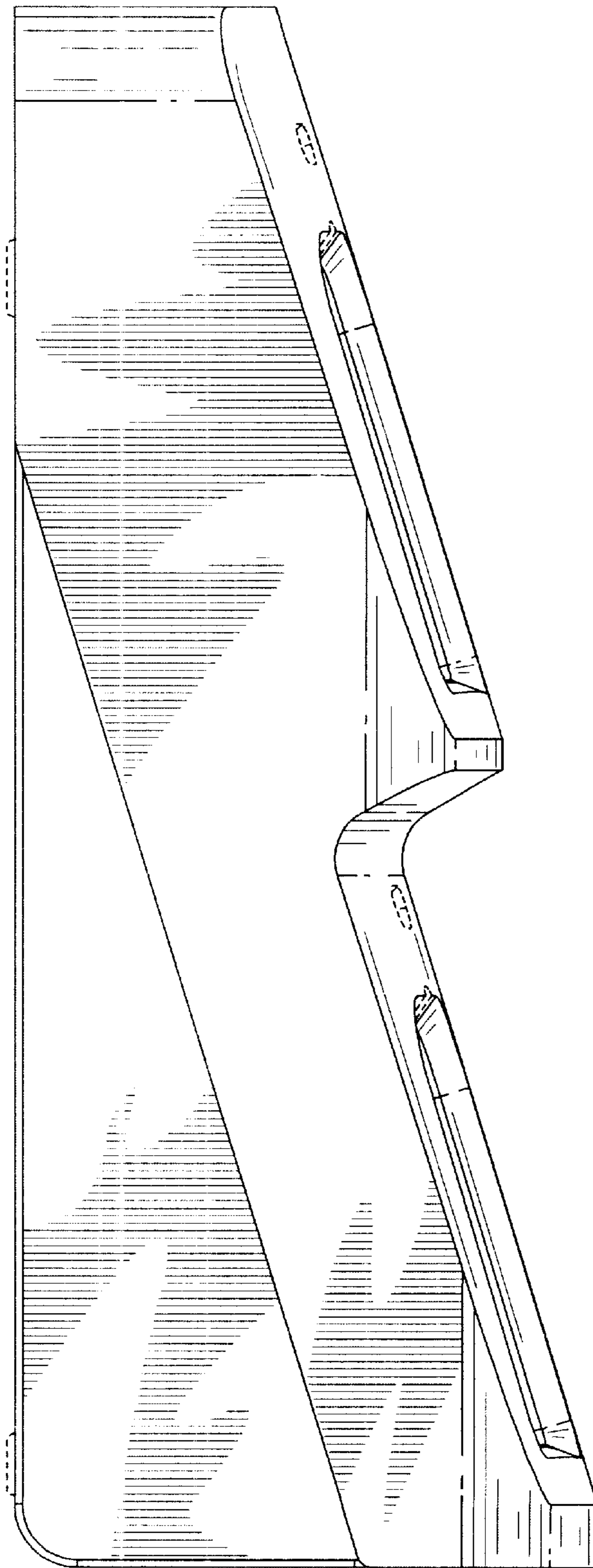


FIG. 2.



*FIG. 3.*

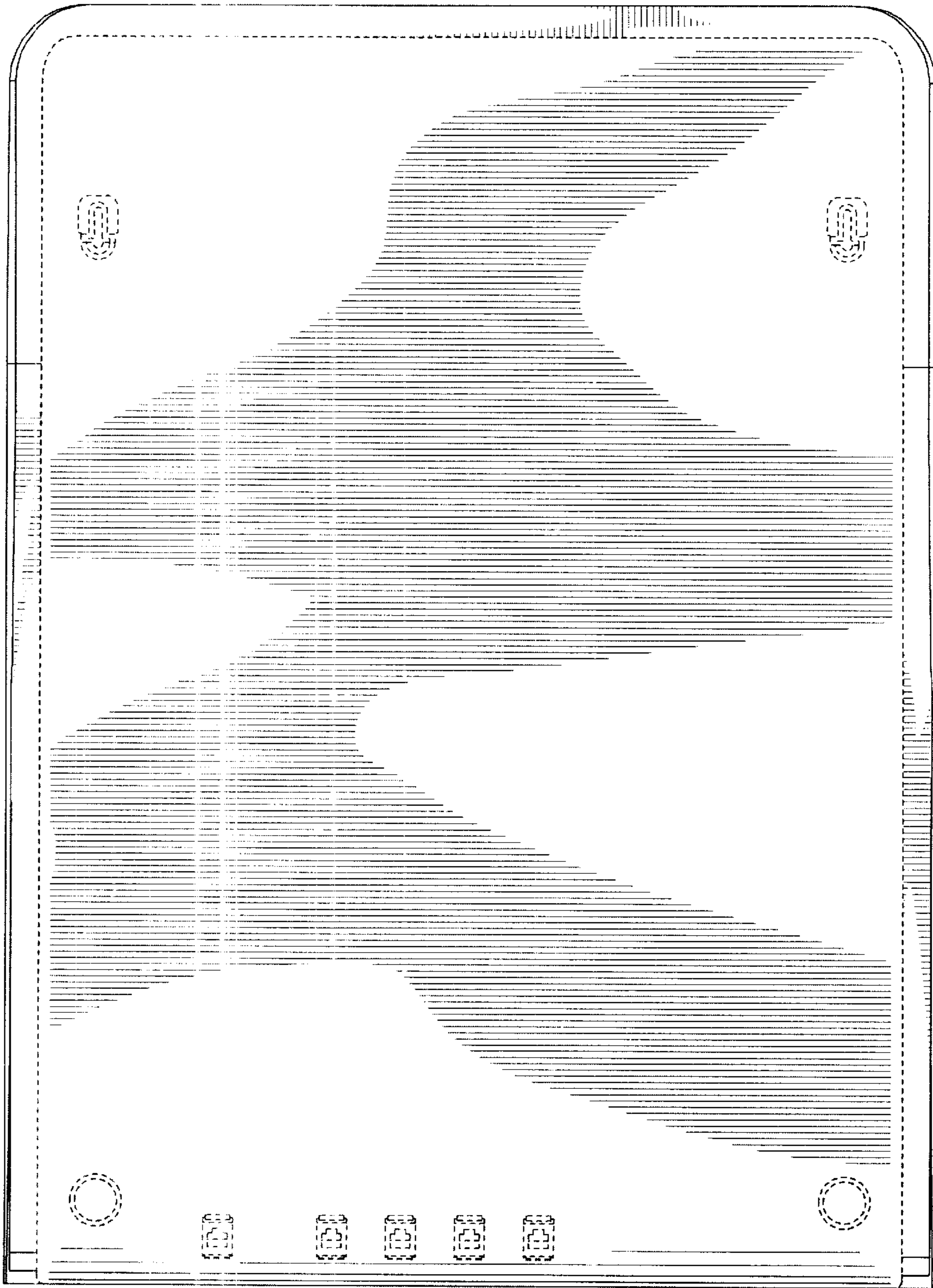
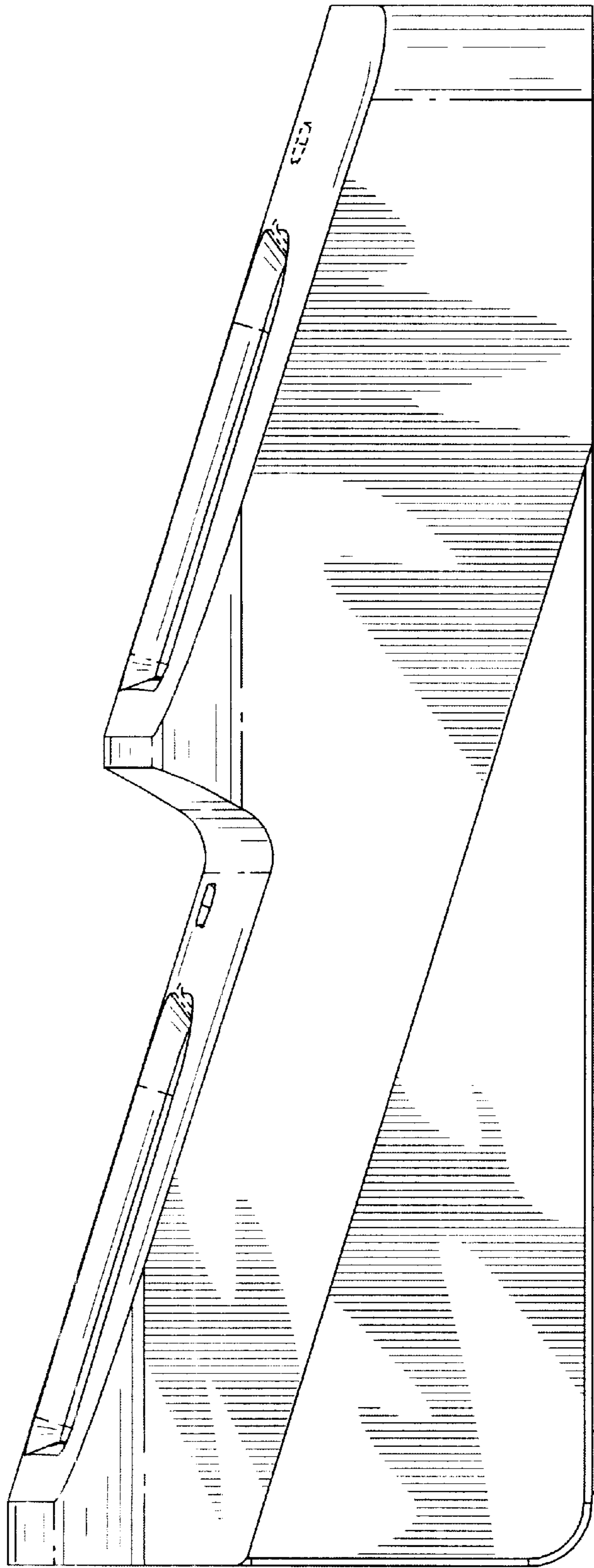


FIG. 4.



*FIG. 5.*

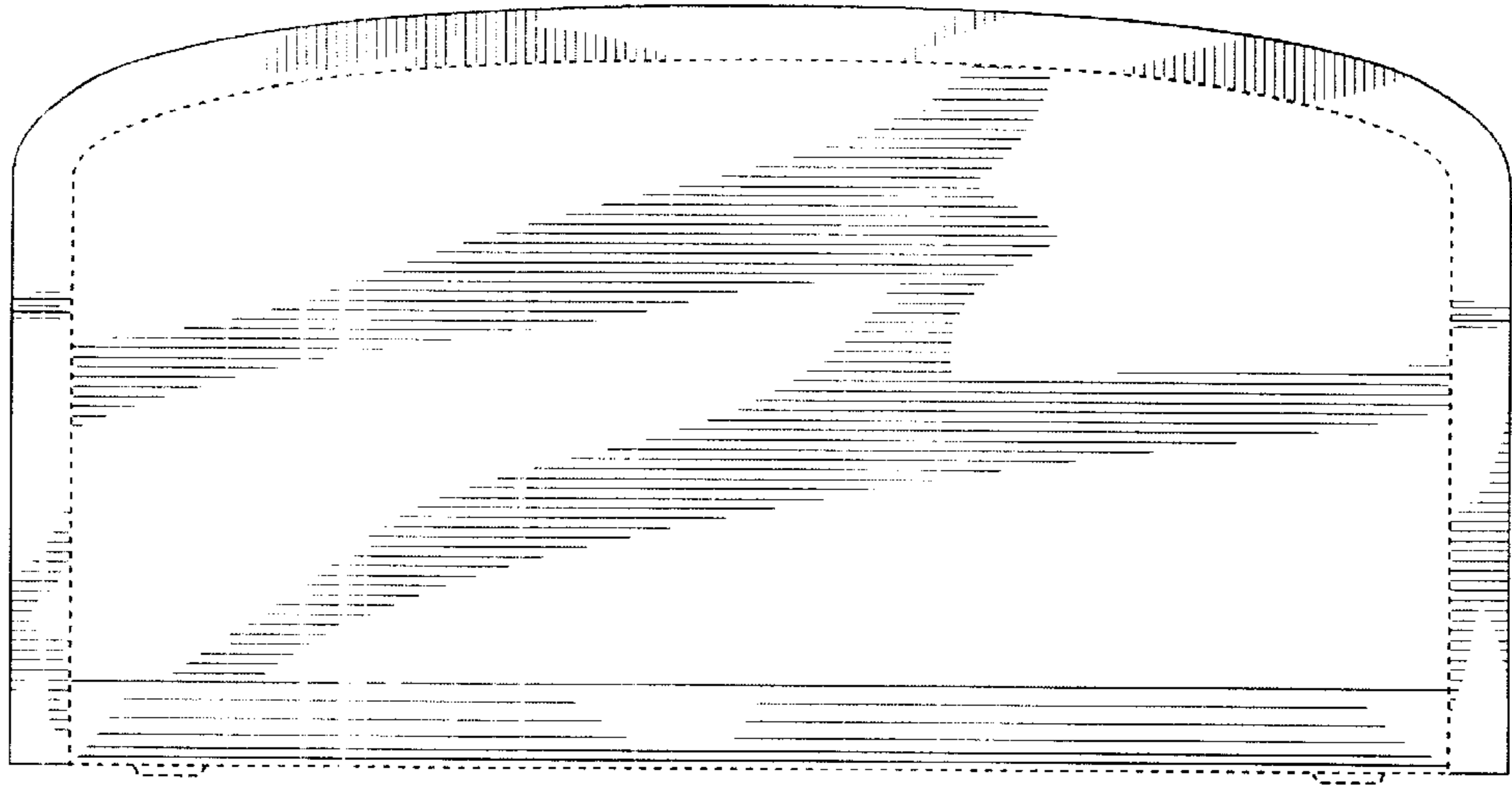


FIG. 6.

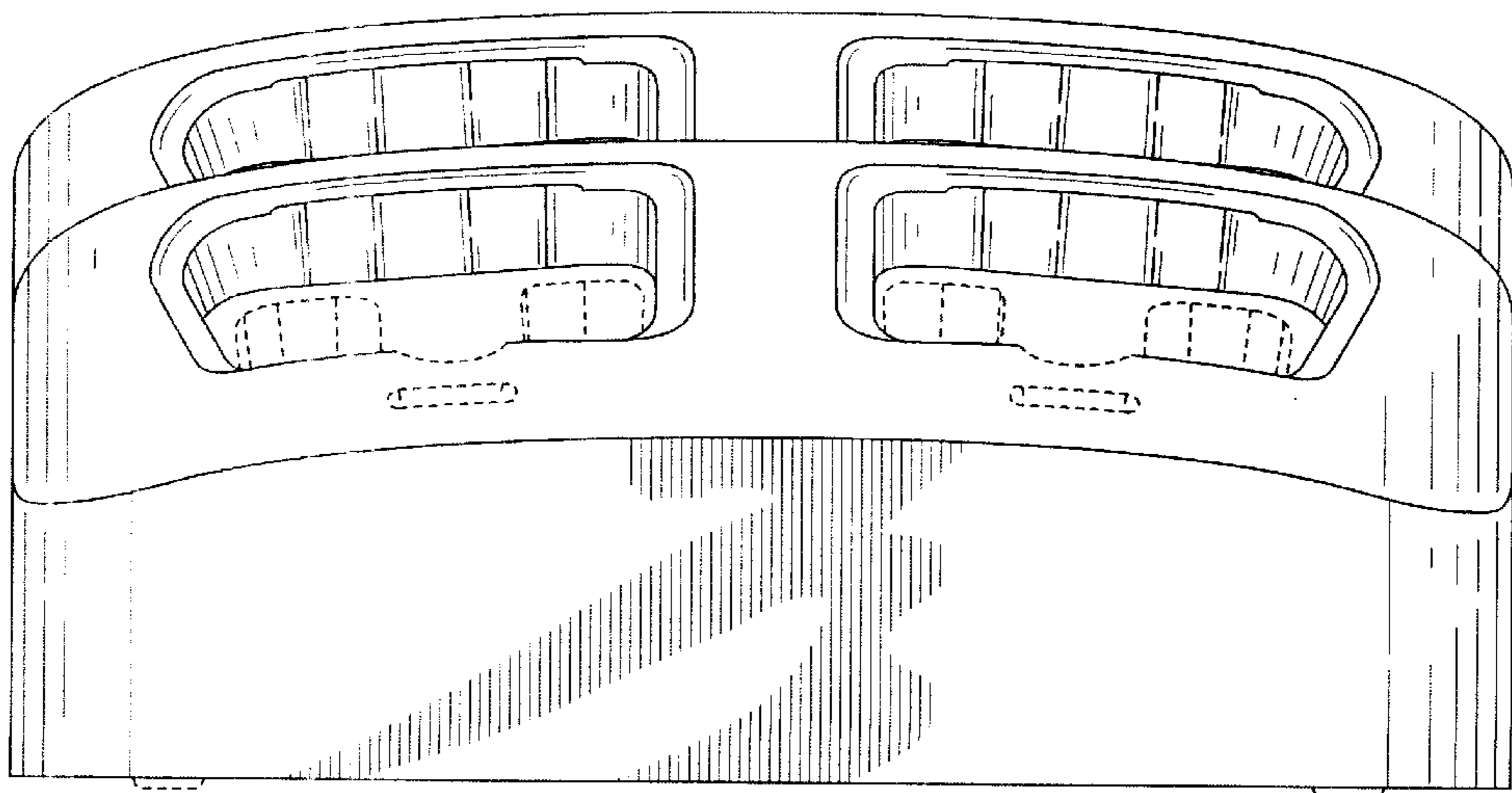


FIG. 7.