



US00D476651S

(12) **United States Design Patent** (10) **Patent No.:** **US D476,651 S**
Clark et al. (45) **Date of Patent:** **** Jul. 1, 2003**

(54) **AUDIO COMPONENT FACE**

(75) Inventors: **Andrew Owen Clark**, Beverly, MA (US); **Jason James Newton**, Malden, MA (US)

(73) Assignee: **Harman International Industries, Incorporated**, Northridge, CA (US)

(**) Term: **14 Years**

(21) Appl. No.: **29/158,856**

(22) Filed: **Apr. 12, 2002**

(51) **LOC (7) Cl.** **14-99**

(52) **U.S. Cl.** **D14/257**

(58) **Field of Search** D14/135-136, D14/156-157, 160-165, 167-168, 188, 193-198, 257, 158; 369/75.1, 75.2, 77.1, 77.2; 455/344

D391,258 S 2/1998 Ito et al.
D391,958 S 3/1998 Miyazawa et al.
D400,529 S 11/1998 Kakizaki
D410,650 S 6/1999 Hara
D414,770 S 10/1999 Wetherell et al.
D415,738 S 10/1999 Ito
D423,006 S 4/2000 Matsuoka
D426,542 S * 6/2000 Bertrand D14/257
D427,992 S 7/2000 Takahashi et al.
D428,611 S 7/2000 Takahashi et al.
D428,872 S 8/2000 Kizawa
D430,553 S 9/2000 Kokkinis
D431,033 S 9/2000 Takahashi et al.
D431,238 S 9/2000 Ito et al.
D433,010 S 10/2000 Yamamizu et al.
D436,942 S 1/2001 Ito et al.
D437,841 S 2/2001 Kakizaki et al.
D444,138 S 6/2001 Ito et al.
D445,784 S 7/2001 Thellec
D454,553 S * 3/2002 Beard et al. D14/217
D454,860 S * 3/2002 Beard et al. D14/217

* cited by examiner

(56) **References Cited**

U.S. PATENT DOCUMENTS

D71,103 S 9/1926 Engelson
D243,794 S 3/1977 Mukai
D247,749 S 4/1978 Ohtomo
D249,146 S 8/1978 Tabata
D298,133 S 10/1988 Tokiyama et al.
D305,760 S 1/1990 Davidson
D316,092 S 4/1991 Ham
D324,687 S * 3/1992 Olson D14/217
D327,682 S 7/1992 Shimazu
D328,073 S 7/1992 Yamakawa
5,146,618 A 9/1992 Wenner
D330,202 S 10/1992 Adiwono
D370,677 S 6/1996 Olson
D374,010 S 9/1996 Jue et al.
D375,742 S 11/1996 Weissberg et al.
D379,354 S 5/1997 Hippen
D379,984 S 6/1997 Funayama et al.
D383,461 S 9/1997 Ito et al.

Primary Examiner—Nanda Bondade
(74) *Attorney, Agent, or Firm*—Plumsea Law Group, LLC

(57) **CLAIM**

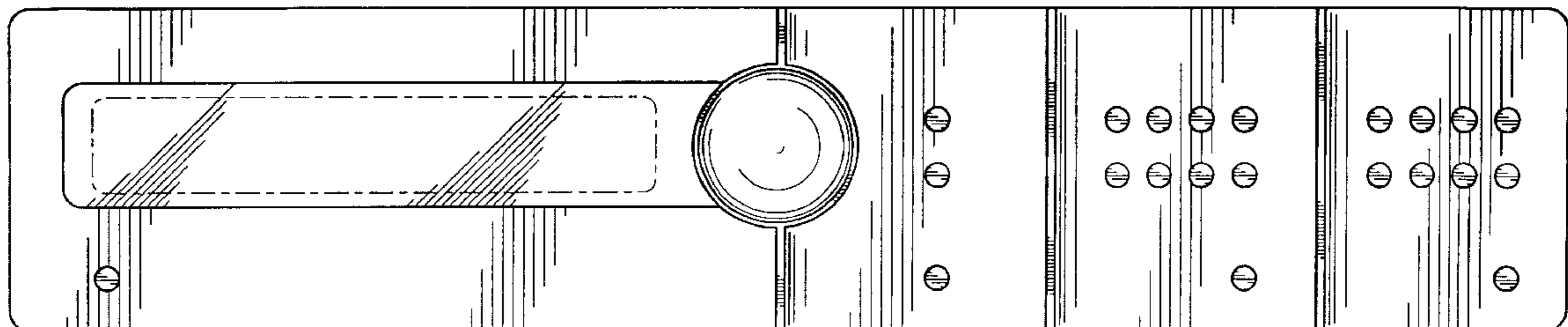
The ornamental design for an audio component face, as shown and described.

DESCRIPTION

FIG. 1 is a front elevational view of an audio component face showing our new design; and, FIG. 2 is a top plan view thereof, the bottom plan view being a mirror image thereof.

The broken line showing of the rectangular region in the claimed area on FIG. 1 and the broken line showing on FIG. 2 is for illustrative purposes only and forms no part of the claimed design.

1 Claim, 1 Drawing Sheet



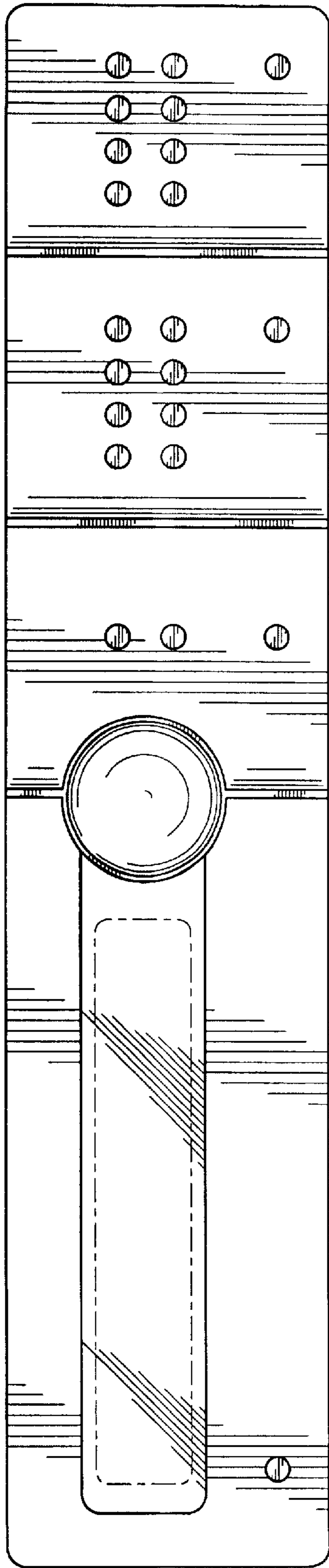


FIG. 1

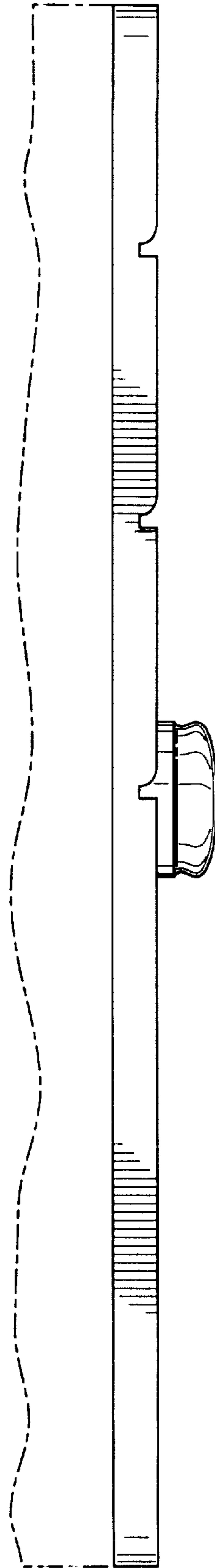


FIG. 2