



US00D476643S

(12) **United States Design Patent**
Yamagishi

(10) **Patent No.:** **US D476,643 S**

(45) **Date of Patent:** **** Jul. 1, 2003**

(54) **REMOTE CONTROLLER**

(75) Inventor: **Masayuki Yamagishi**, Toyama (JP)

(73) Assignee: **SMK Corporation**, Tokyo (JP)

(**) Term: **14 Years**

(21) Appl. No.: **29/162,109**

(22) Filed: **Jun. 11, 2002**

(30) **Foreign Application Priority Data**

Dec. 12, 2001 (JP) 2001-036569
Dec. 12, 2001 (JP) 2001-036570

(51) **LOC (7) Cl.** **14-03**

(52) **U.S. Cl.** **D14/218**

(58) **Field of Search** D14/174, 217,
D14/218, 137-139, 151, 191-193, 124,
299, 167-168; D13/168, 162-164; D21/512-517,
566; D10/104, 106; 455/352-355, 151.1-151.4;
348/114, 734

(56) **References Cited**

U.S. PATENT DOCUMENTS

D366,043 S * 1/1996 Hara et al. D14/218
D366,044 S * 1/1996 Hara et al. D14/218
D373,588 S * 9/1996 Bowen et al. D14/218
D381,992 S * 8/1997 Nakamura et al. D14/218
D387,353 S * 12/1997 Harrison et al. D14/218
D406,589 S * 3/1999 Ito et al. D14/218

OTHER PUBLICATIONS

Sound and Vision Feb. 2001 p. 110 ReQuest remote control.*

* cited by examiner

Primary Examiner—Louis S. Zarfes

Assistant Examiner—Deanne Levy

(74) *Attorney, Agent, or Firm*—Sughrue Mion, PLLC

(57) **CLAIM**

The ornamental design for a remote controller, as shown and described.

DESCRIPTION

FIG. 1 is a perspective view of the front, bottom and right side of a first embodiment of a remote controller showing my new design;

FIG. 2 is a front elevational view of thereof;

FIG. 3 is a top plan view thereof;

FIG. 4 is a bottom plan view thereof;

FIG. 5 is a right side elevational view thereof;

FIG. 6 is a rear elevational view thereof;

FIG. 7 is a left side elevational view thereof;

FIG. 8 is a perspective view of the front, bottom and right side of a second embodiment of a remote controller showing my new design;

FIG. 9 is a front elevational view of thereof;

FIG. 10 is a top plan view thereof;

FIG. 11 is a bottom plan view thereof;

FIG. 12 is a right side elevational view thereof;

FIG. 13 is a rear elevational view thereof; and,

FIG. 14 is a left side elevational view thereof.

1 Claim, 4 Drawing Sheets

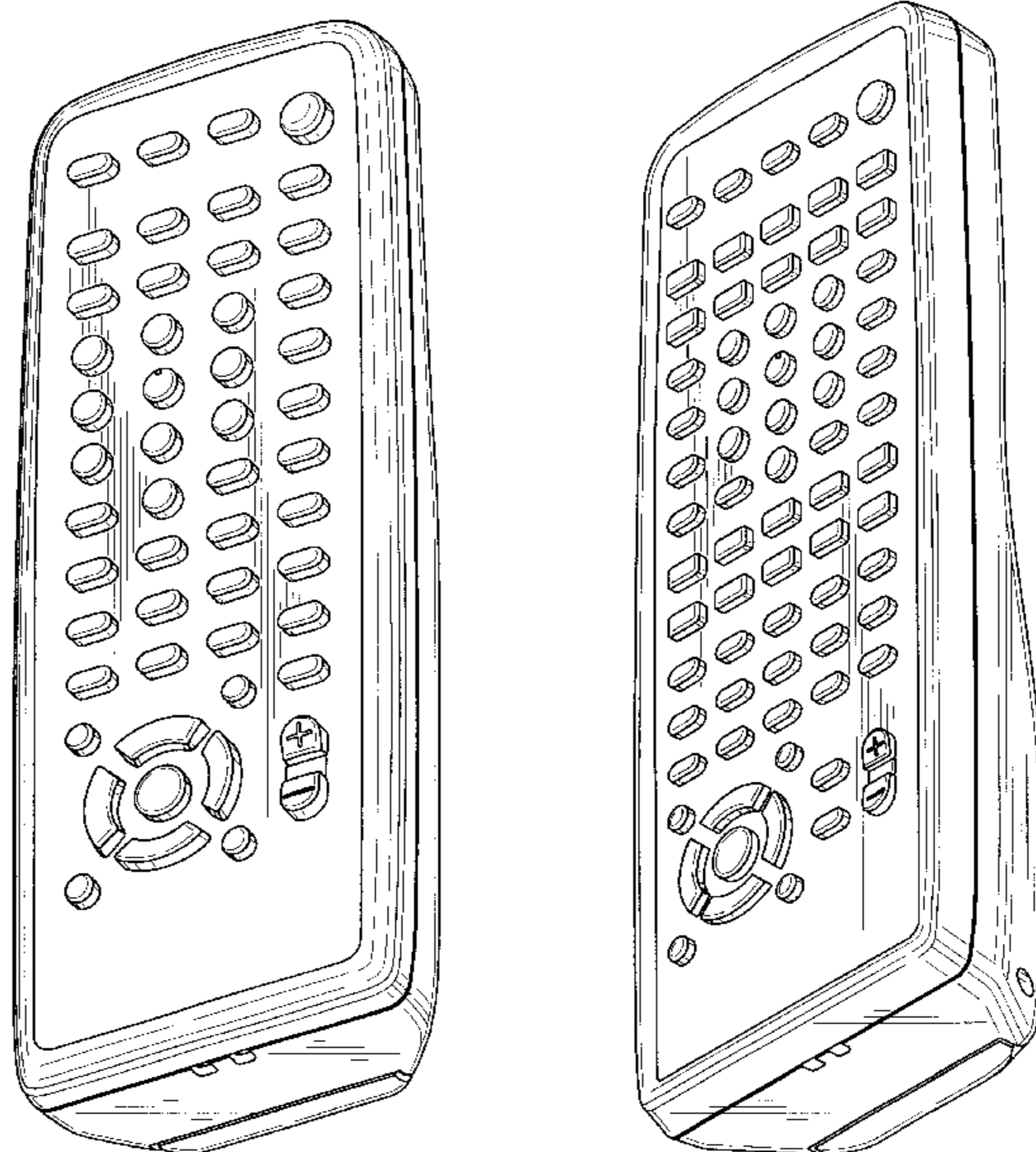


FIG. 1

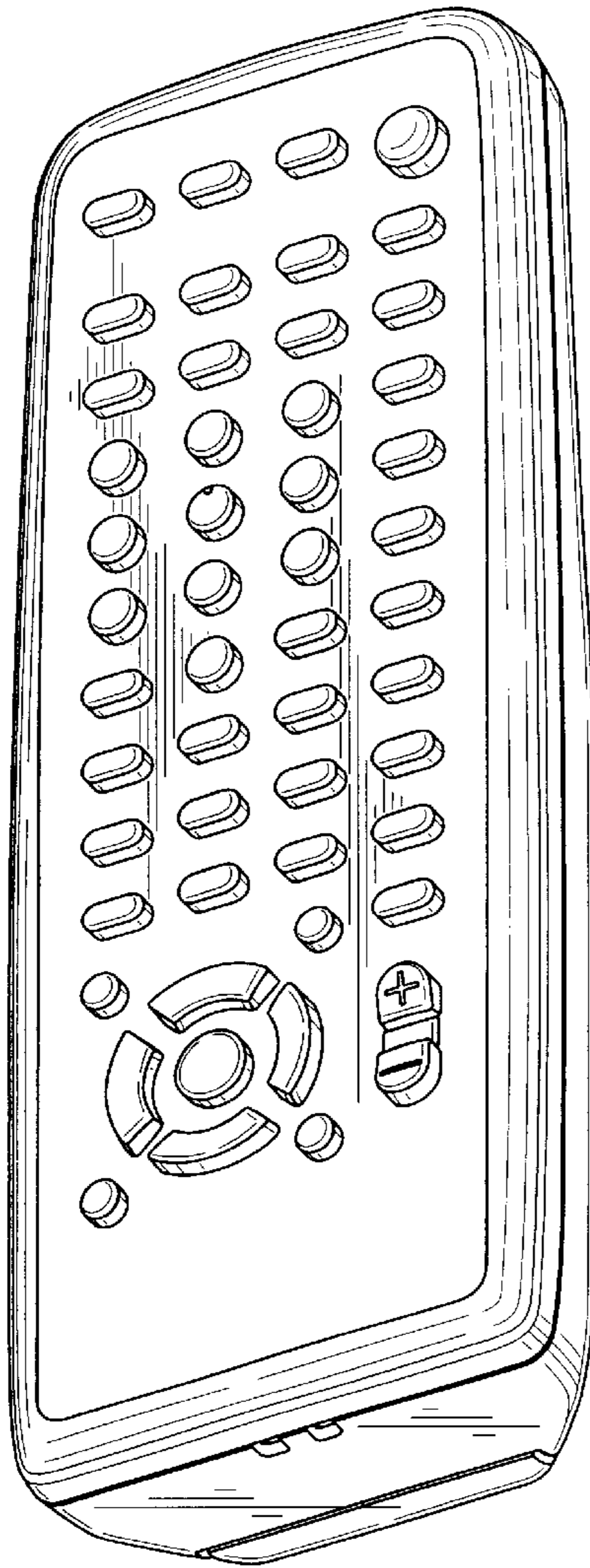


FIG. 2

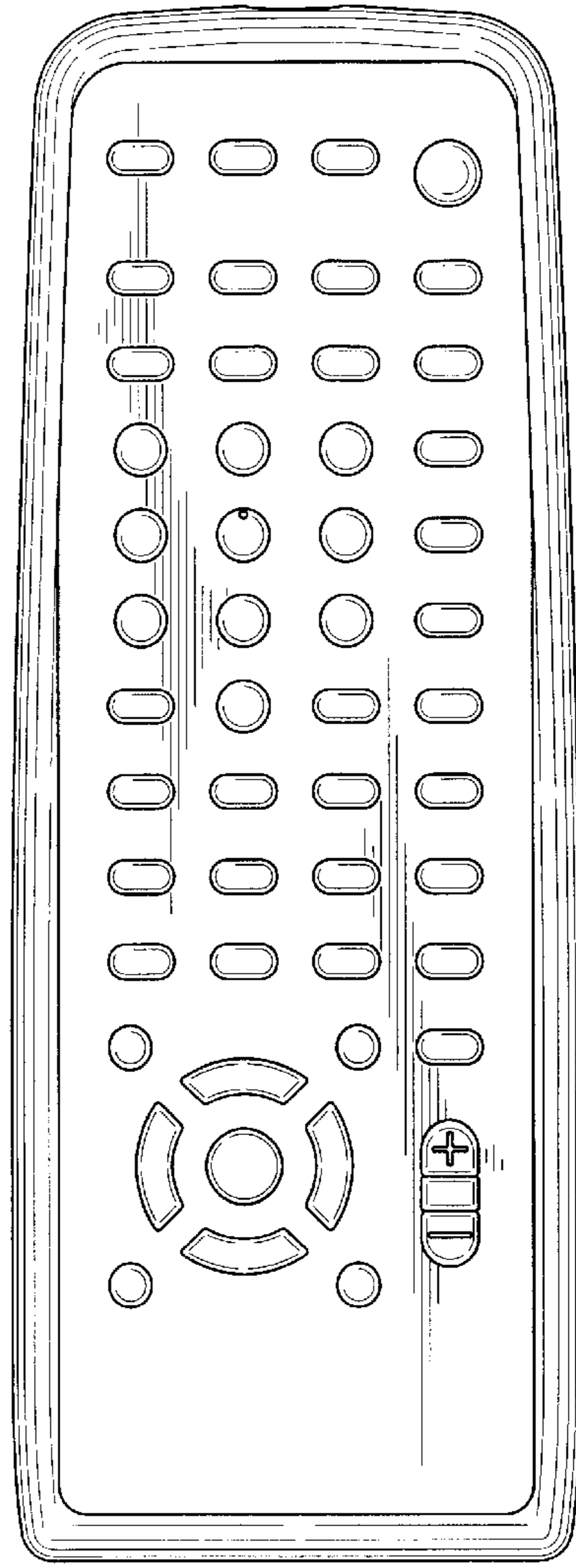


FIG. 3

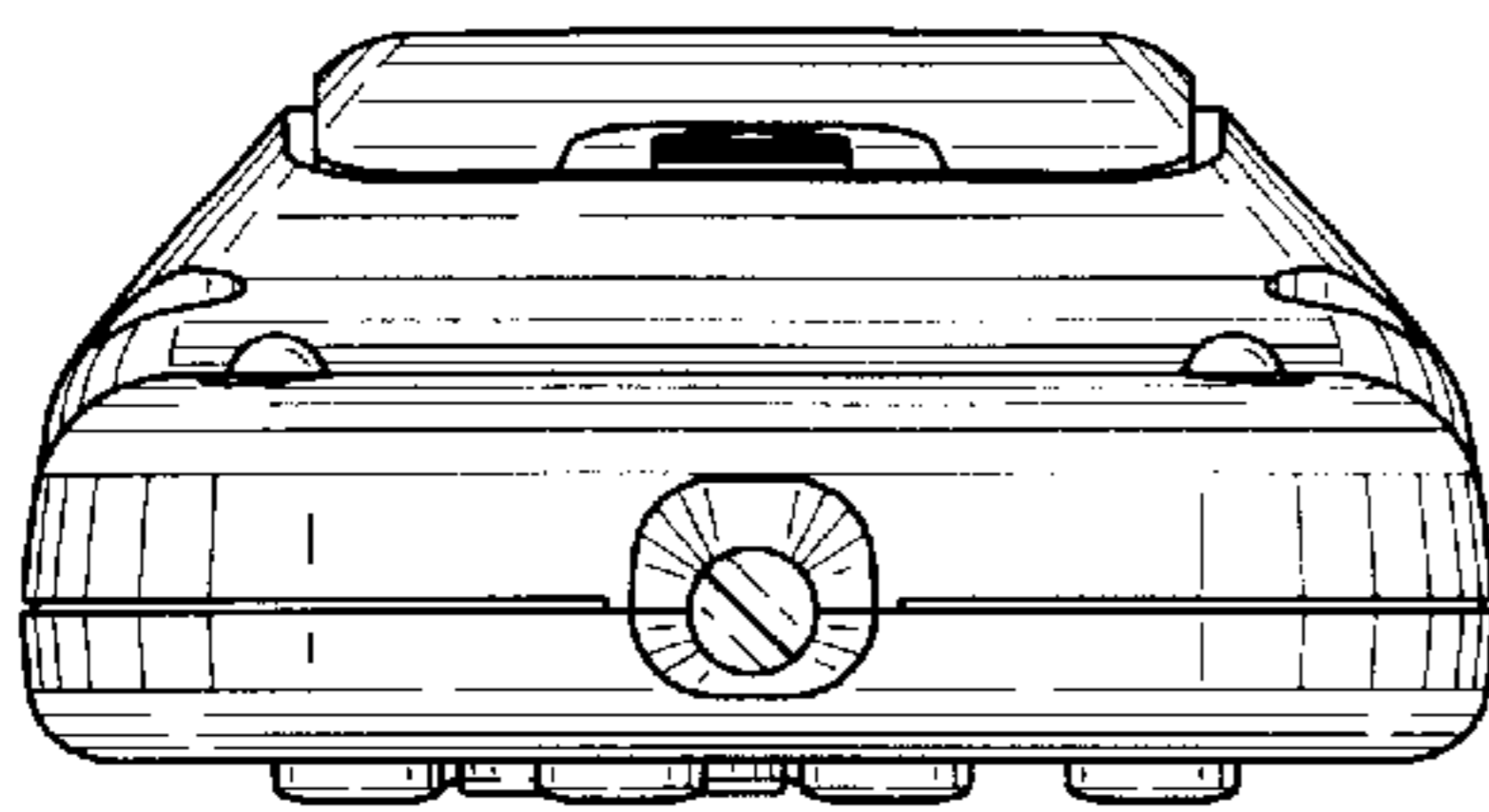


FIG. 4

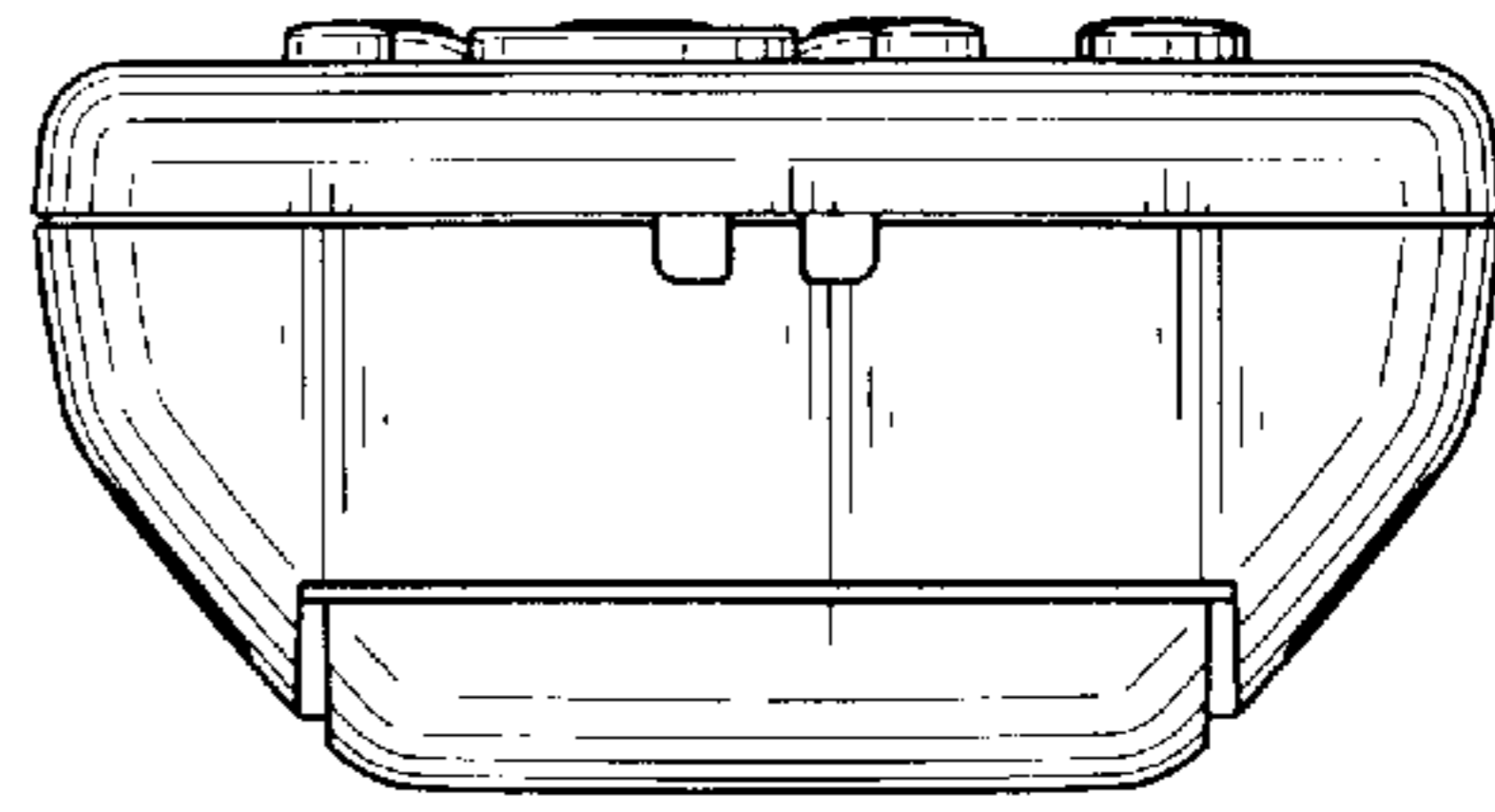


FIG. 5

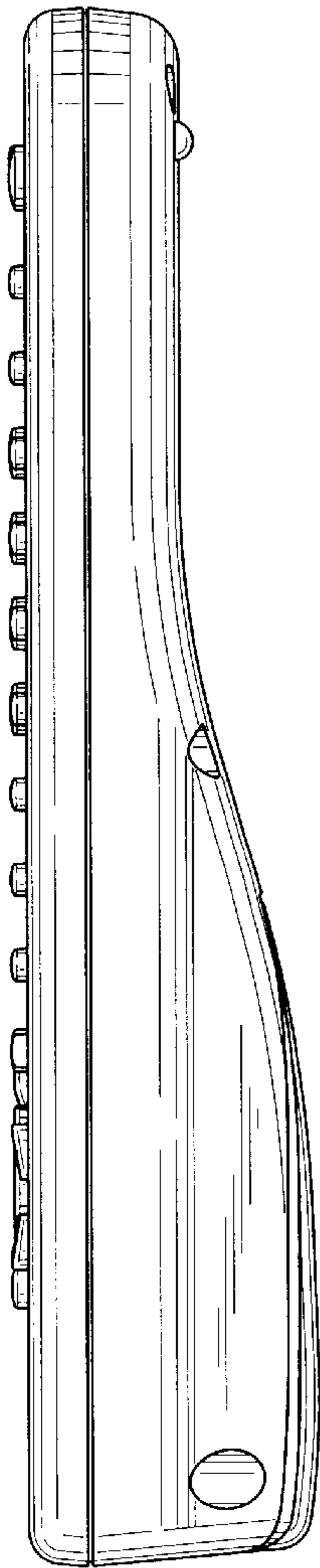


FIG. 6

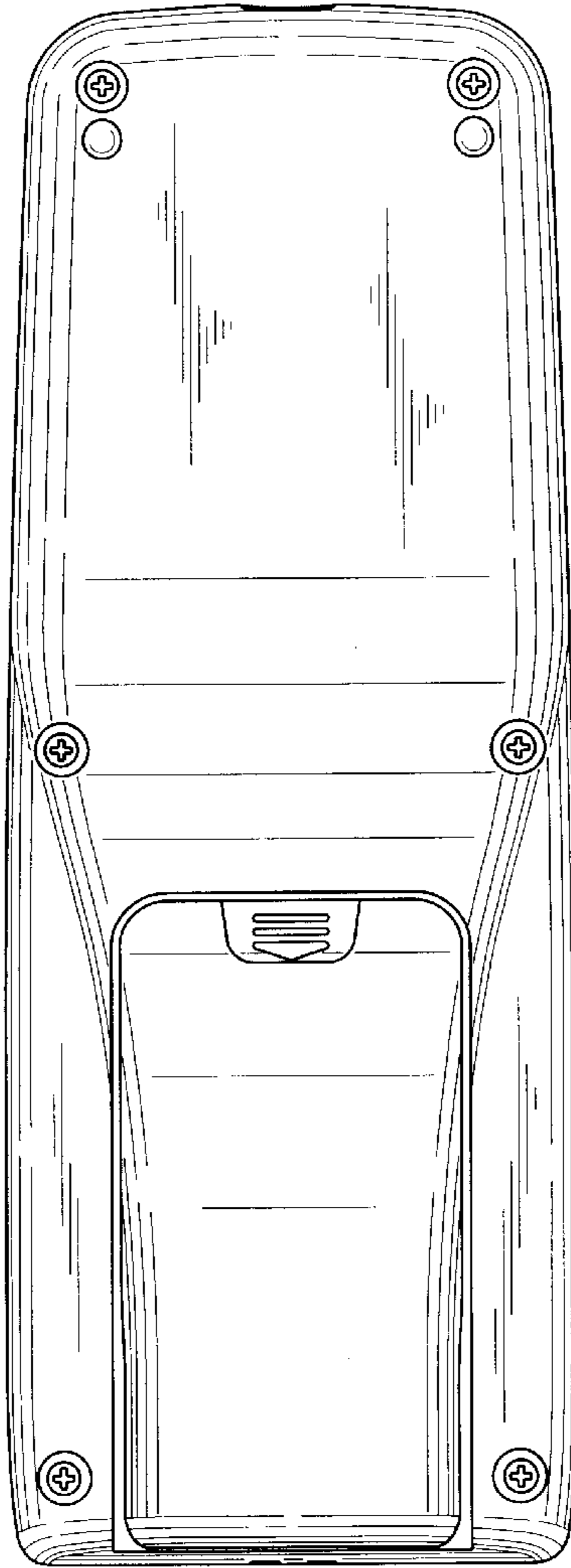


FIG. 7

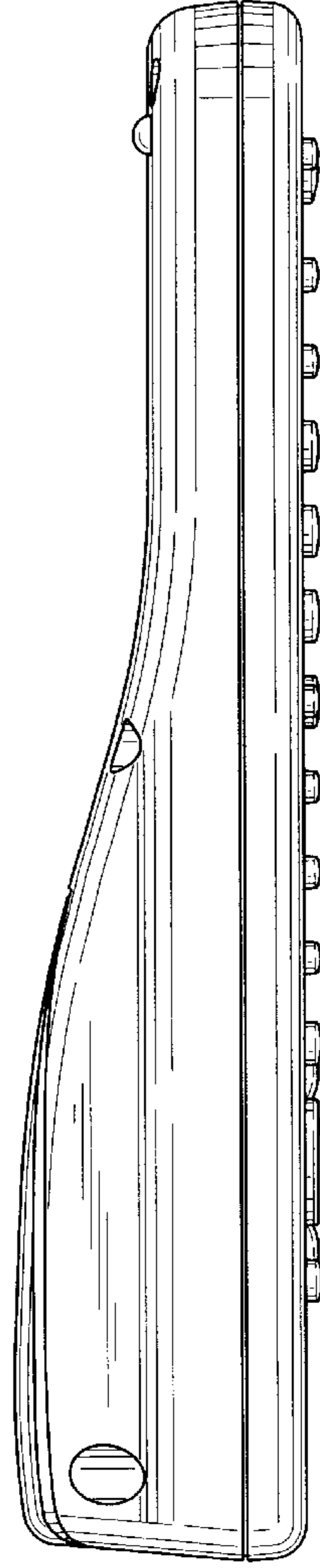


FIG. 8

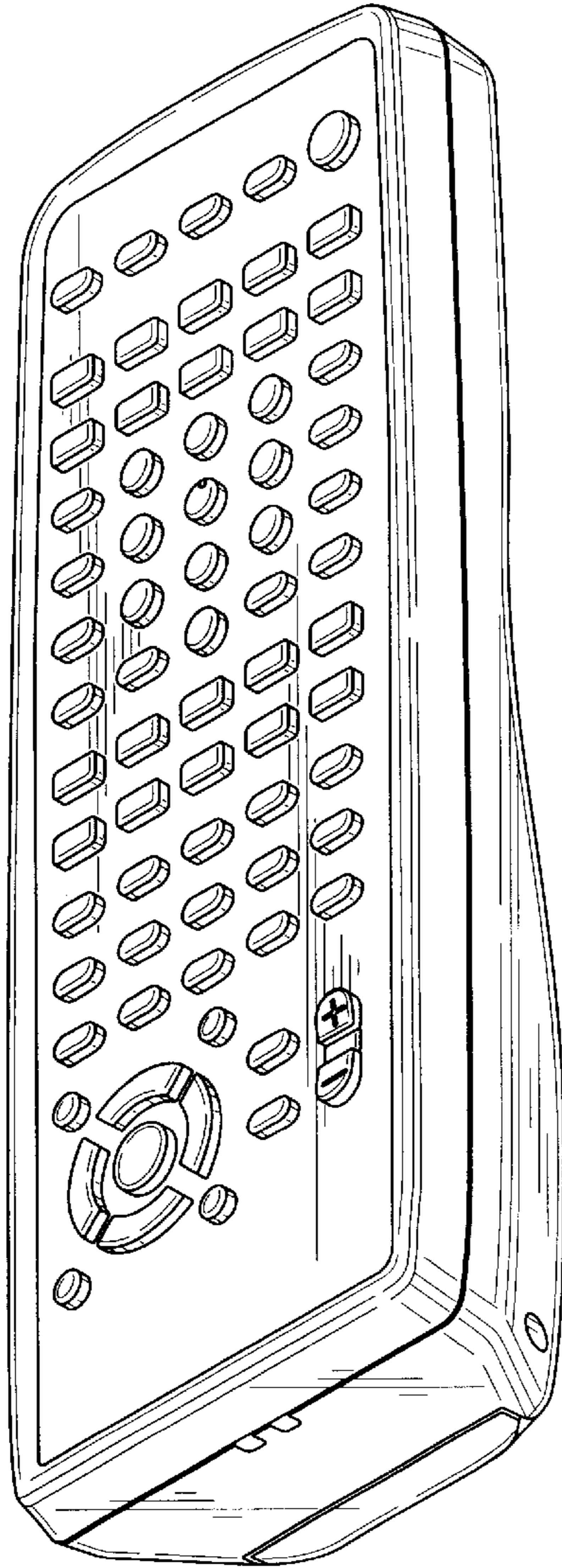


FIG. 9

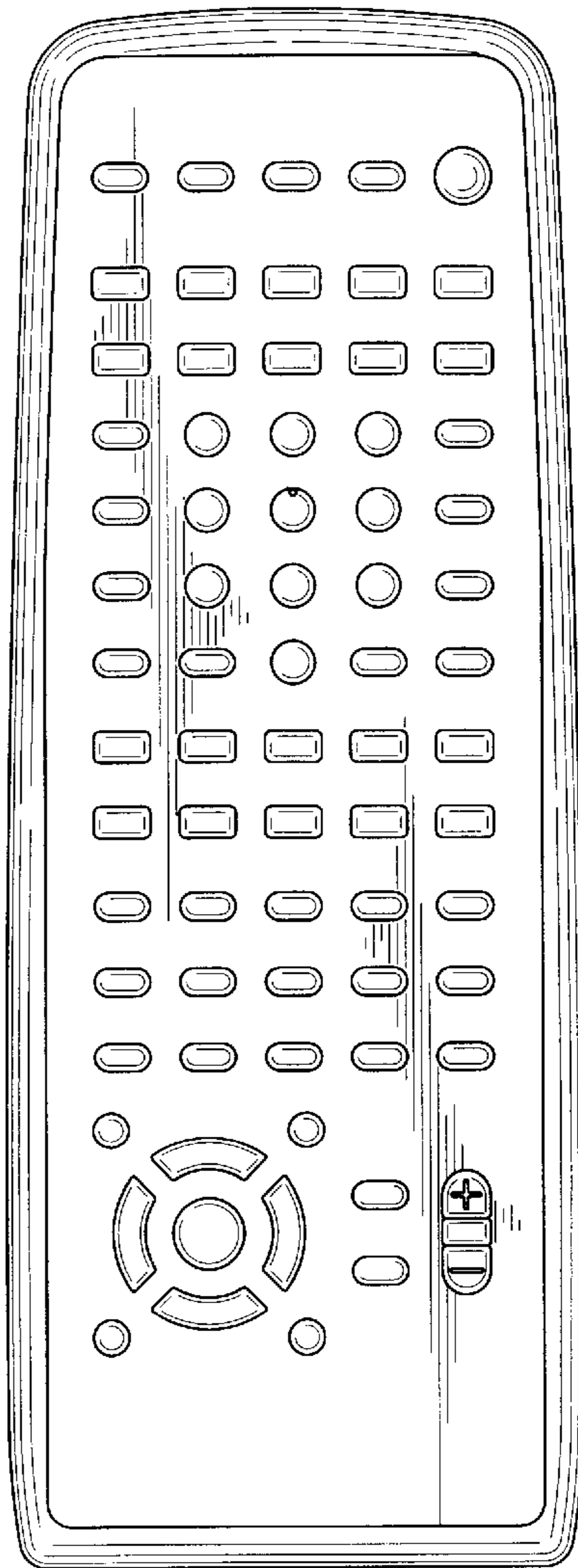


FIG. 10

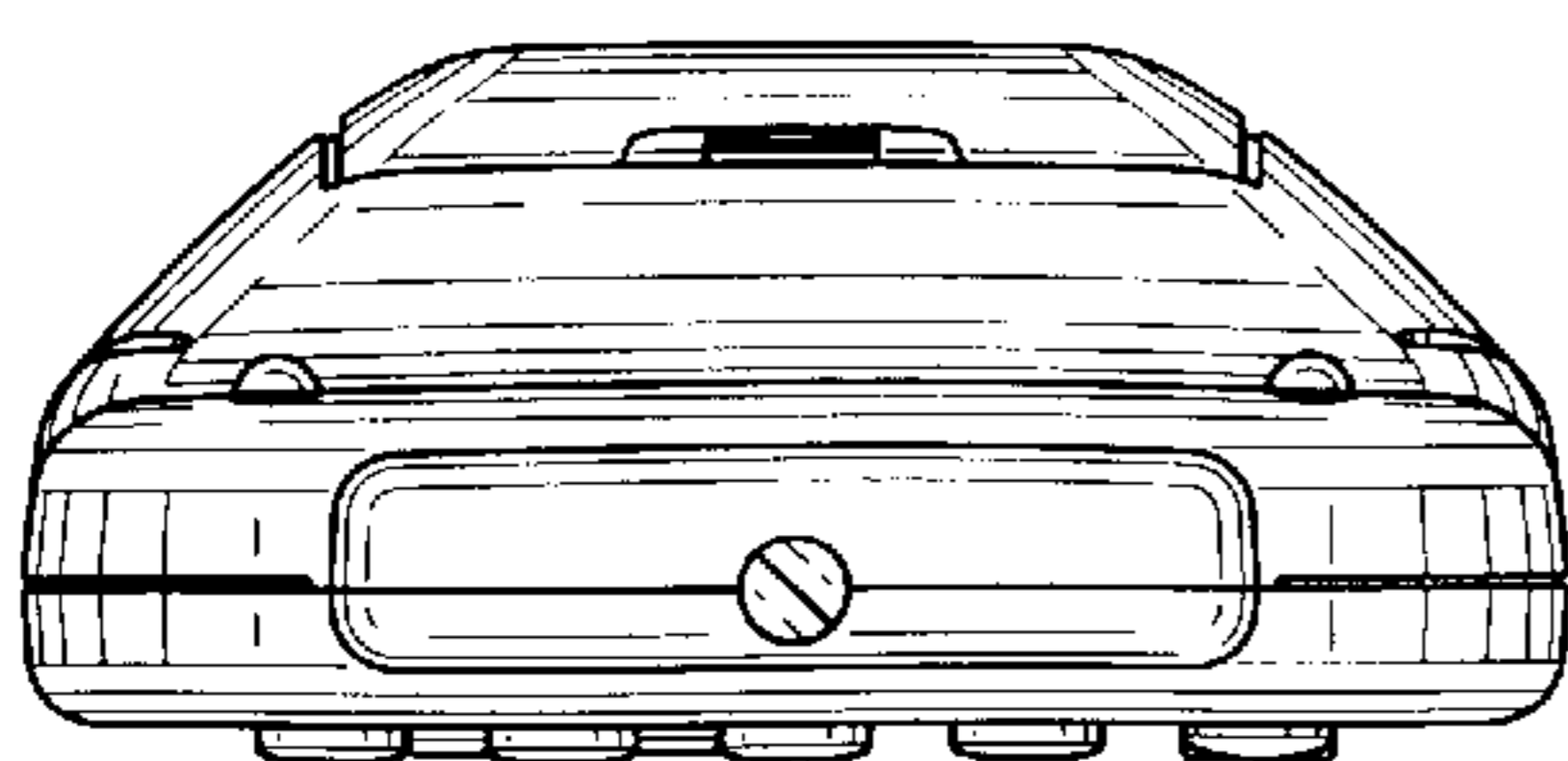


FIG. 11

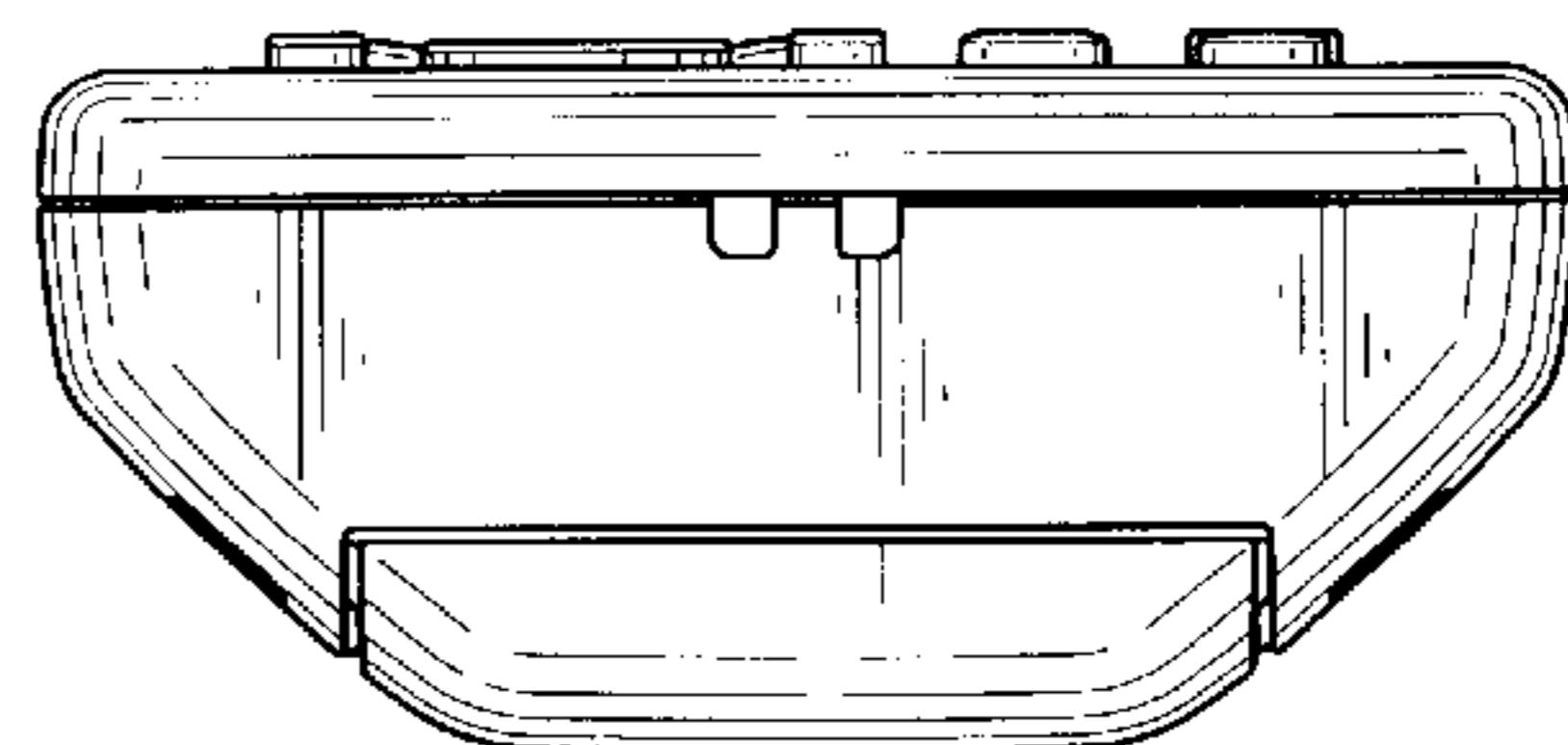


FIG. 12

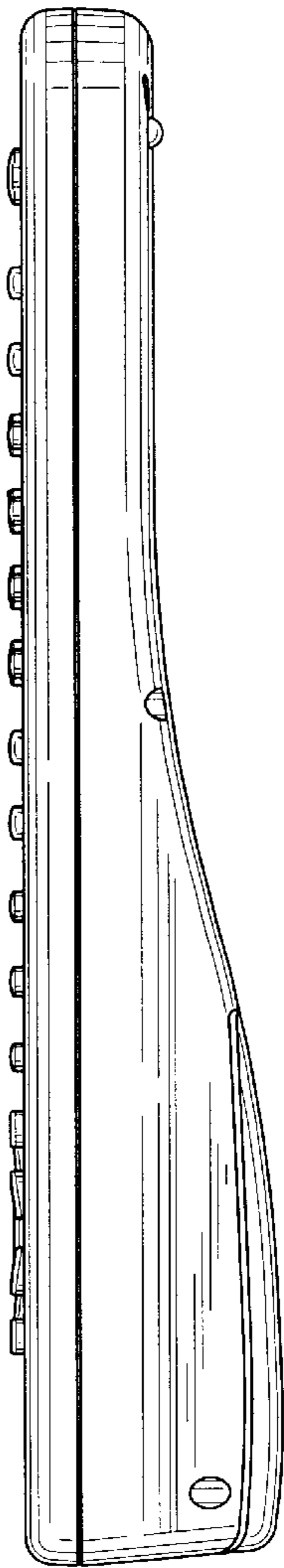


FIG. 13

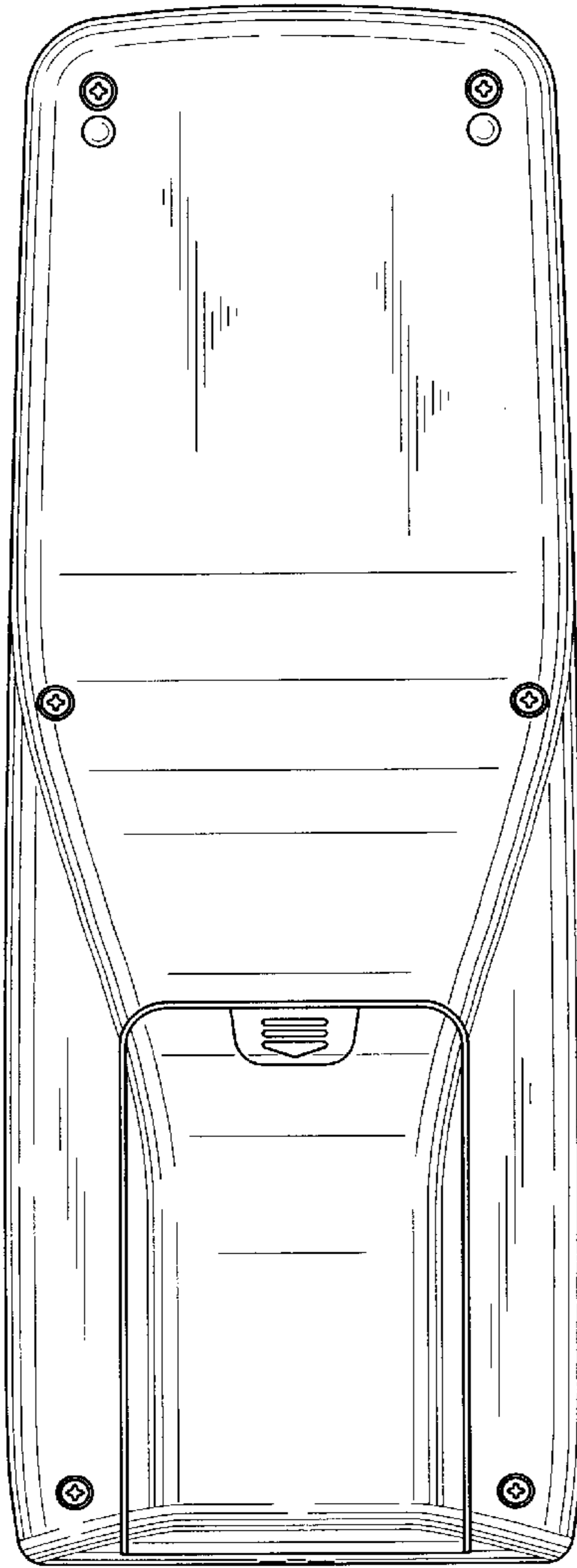


FIG. 14

