



US00D476642S

(12) **United States Design Patent**
Hussaini et al.

(10) **Patent No.:** **US D476,642 S**

(45) **Date of Patent:** **** Jul. 1, 2003**

(54) **AUDIO AND VIDEO ACCESSORY FOR AN ELECTRONIC DEVICE**

(75) Inventors: **Saied Hussaini**, Miami, FL (US); **Marc Iacovelli**, Miami, FL (US)

(73) Assignee: **Intec, Inc.**, Miami, FL (US)

(**) Term: **14 Years**

(21) Appl. No.: **29/159,576**

(22) Filed: **Apr. 25, 2002**

(51) **LOC (7) Cl.** **14-99**

(52) **U.S. Cl.** **D14/217**

(58) **Field of Search** D13/184, 153,
D13/154; D14/155, 188, 217, 242, 299,
356; 455/92, 100, 344, 350-351

(56) **References Cited**

U.S. PATENT DOCUMENTS

D313,396 S	*	1/1991	Messelhi	D13/154
D340,246 S	*	10/1993	Newman	D14/217
D369,149 S	*	4/1996	Chang et al.	D14/299
D409,619 S	*	5/1999	Shin et al.	D14/217
D436,935 S	*	1/2001	Feucht	D13/184

* cited by examiner

Primary Examiner—Nanda Bondade

(74) *Attorney, Agent, or Firm*—Liniak, Berenato & White

(57) **CLAIM**

The ornamental design for an audio and video accessory for an electronic device, as shown and described.

DESCRIPTION

FIG. 1 is a front view of the audio and video accessory for an electronic device according to a first embodiment of the present invention.

FIG. 2 is a rear view of the audio and video accessory for an electronic device of FIG. 1.

FIG. 3 is a left side view of the audio and video accessory for an electronic device of FIG. 1.

FIG. 4 is a right side view of the audio and video accessory for an electronic device of FIG. 1.

FIG. 5 is a bottom view of the audio and video accessory for an electronic device of FIG. 1.

FIG. 6 is a top view of the audio and video accessory for an electronic device of FIG. 1.

FIG. 7 is a front and left perspective view of the audio and video accessory for an electronic device according to the first embodiment of the present invention.

FIG. 8 is a front view of the audio and video accessory for an electronic device according to a second embodiment of the present invention.

FIG. 9 is a rear view of the audio and video accessory for an electronic device of FIG. 8.

FIG. 10 is a bottom view of the audio and video accessory for an electronic device of FIG. 8.

FIG. 11 is a top view of the audio and video accessory for an electronic device of FIG. 8.

FIG. 12 is a front and left perspective view of the audio and video accessory for an electronic device according to the second embodiment of the present invention.

FIG. 13 is a front view of the audio and video accessory for an electronic device according to a third embodiment of the present invention.

FIG. 14 is a rear view of the audio and video accessory for an electronic device of FIG. 13.

FIG. 15 is a left side view of the audio and video accessory for an electronic device of FIG. 13.

FIG. 16 is a right side view of the audio and video accessory for an electronic device of FIG. 13.

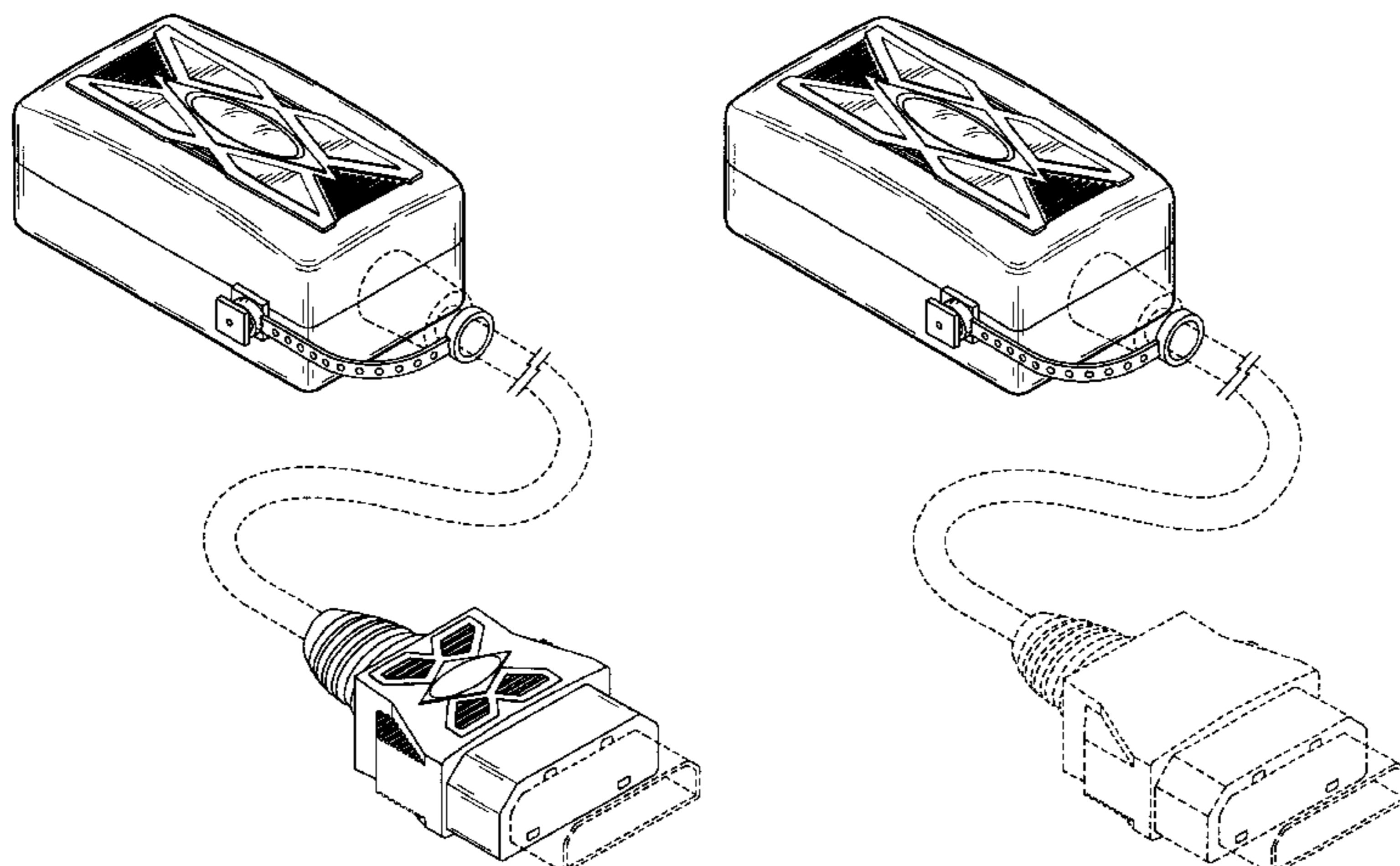
FIG. 17 is a bottom view of the audio and video accessory for an electronic device of FIG. 13.

FIG. 18 is a top view of the audio and video accessory for an electronic device of FIG. 13; and,

FIG. 19 is a front and left perspective view of the audio and video accessory for an electronic device according to the third embodiment of the present invention.

The broken line showing on FIGS. 1-19 is for illustrative purposes only and forms no part of the claimed design.

1 Claim, 11 Drawing Sheets



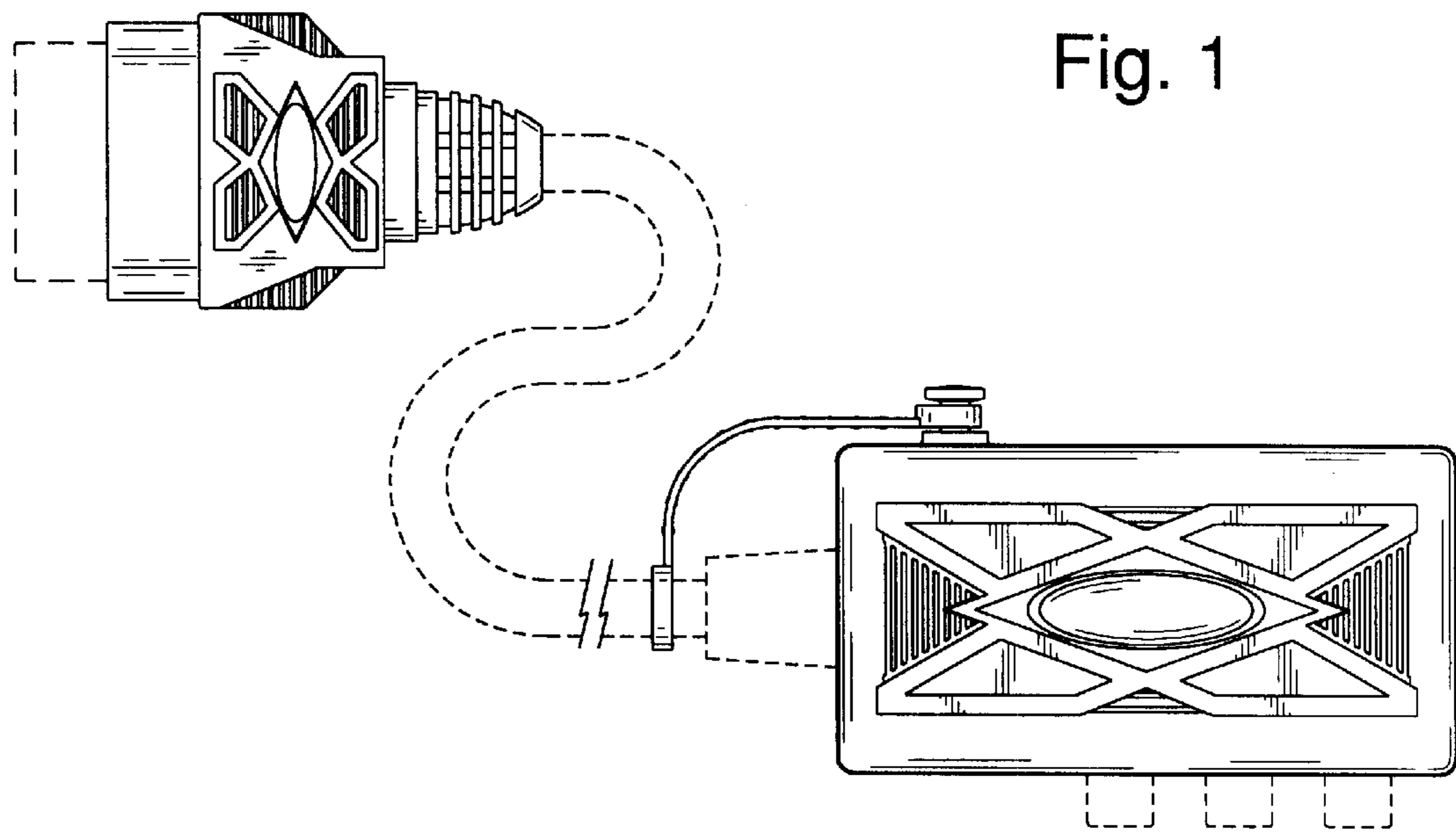


Fig. 2

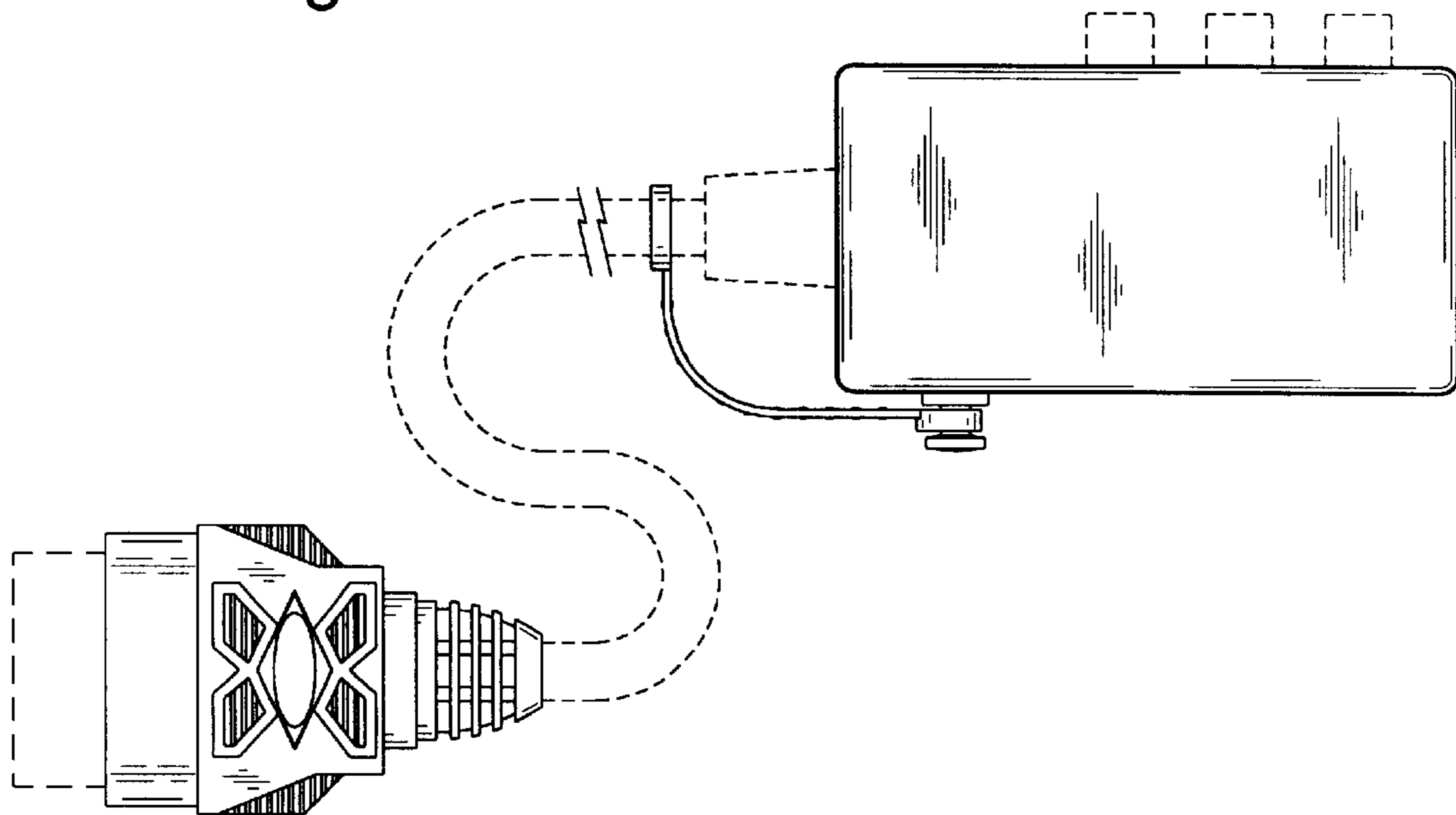


Fig. 3

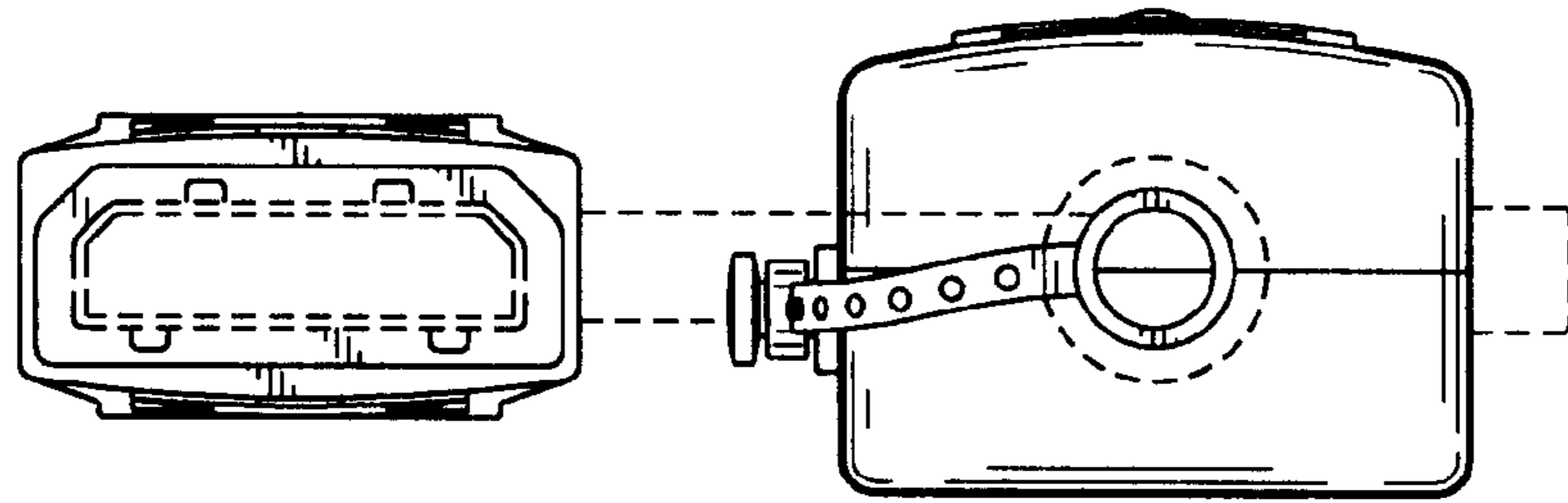


Fig. 4

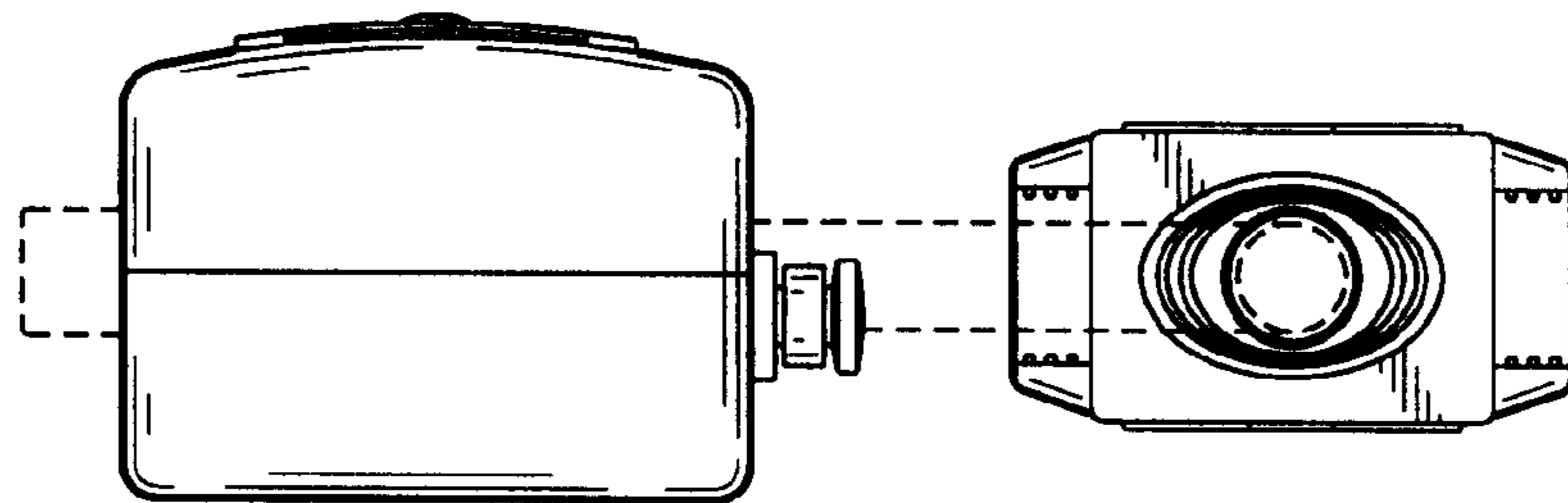


Fig. 5

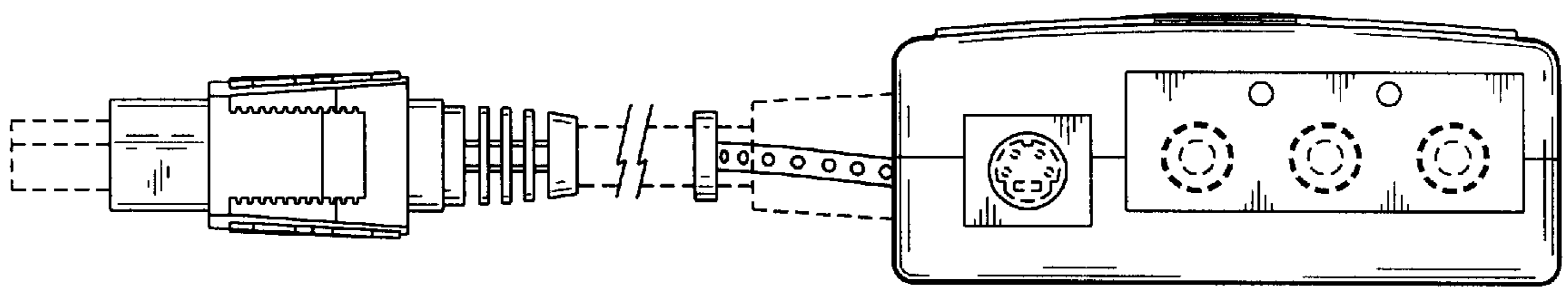


Fig. 6

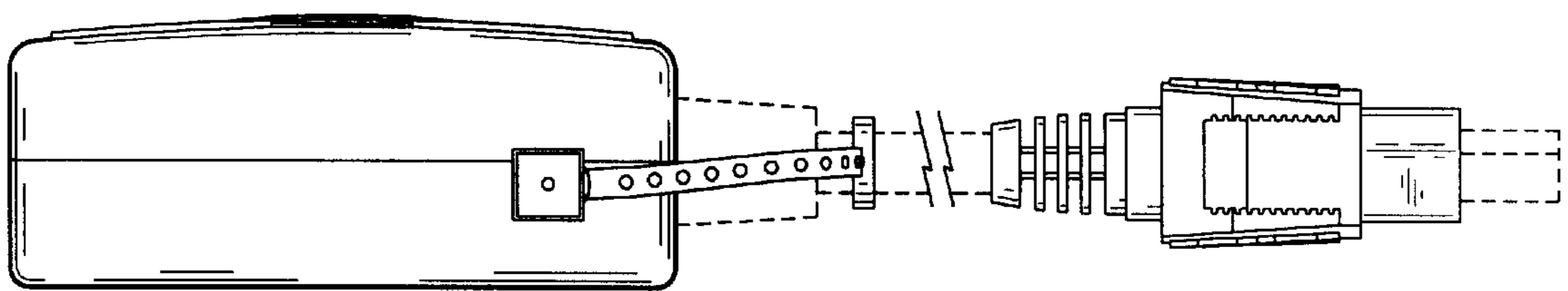
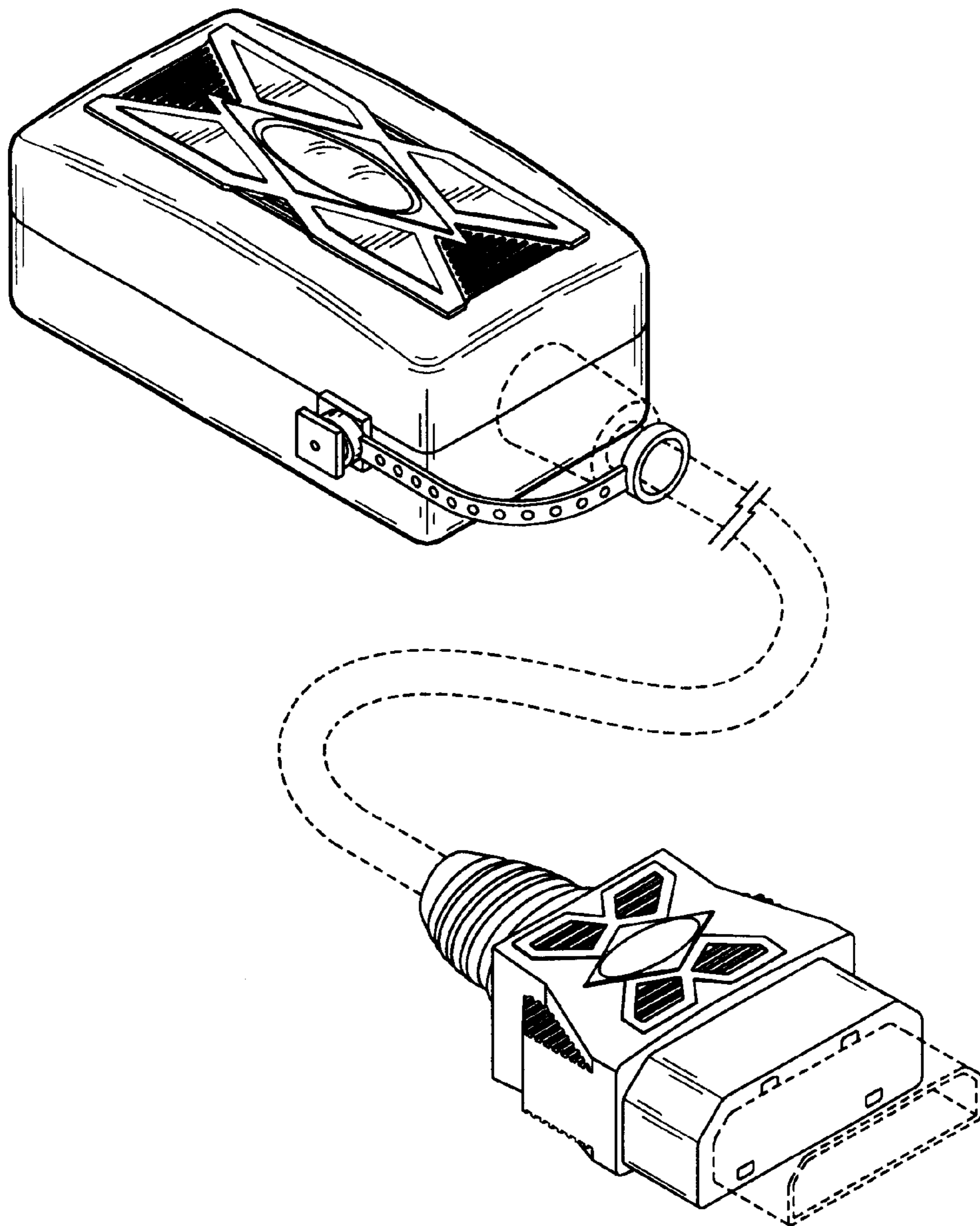


Fig. 7



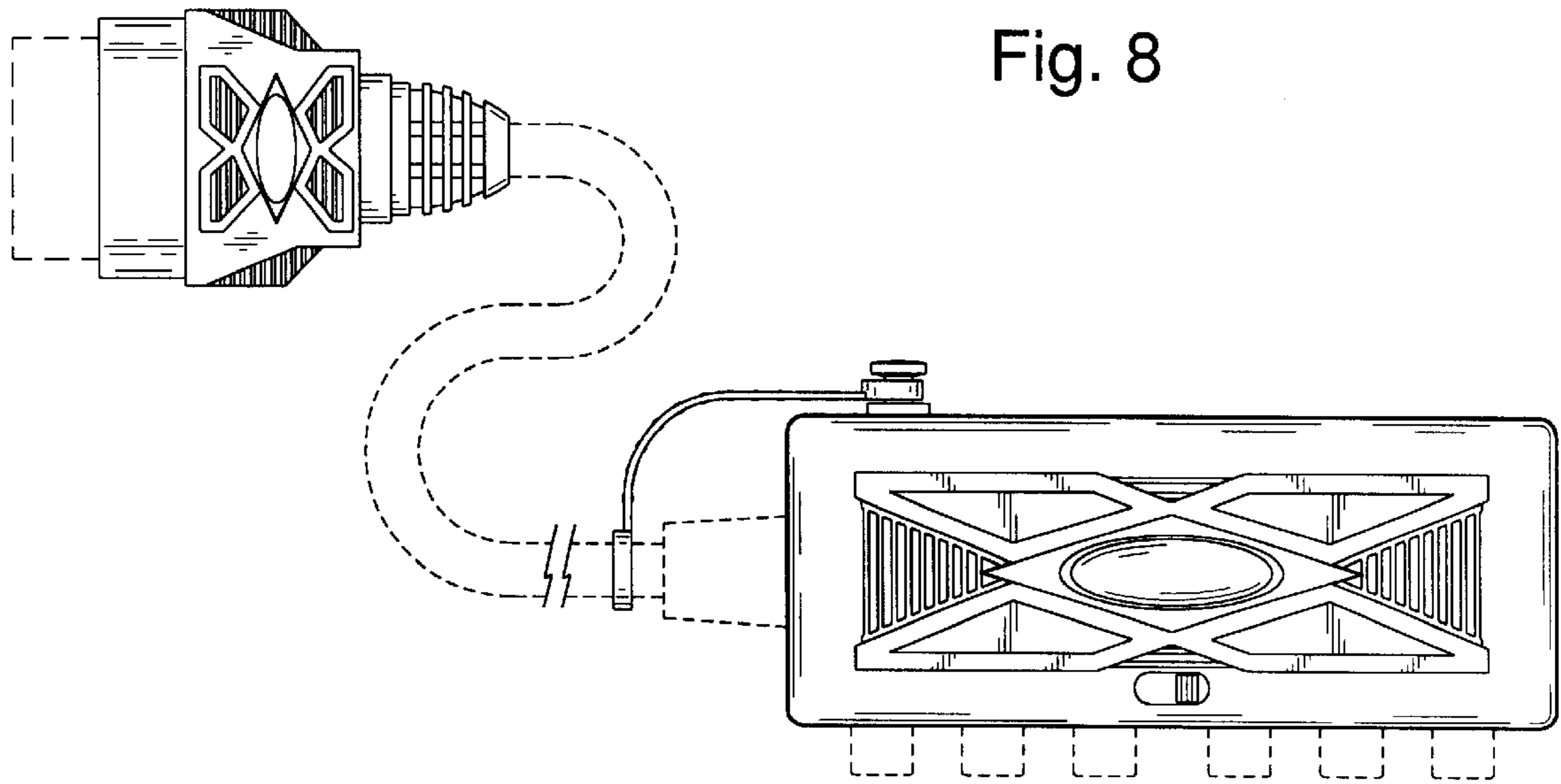


Fig. 8

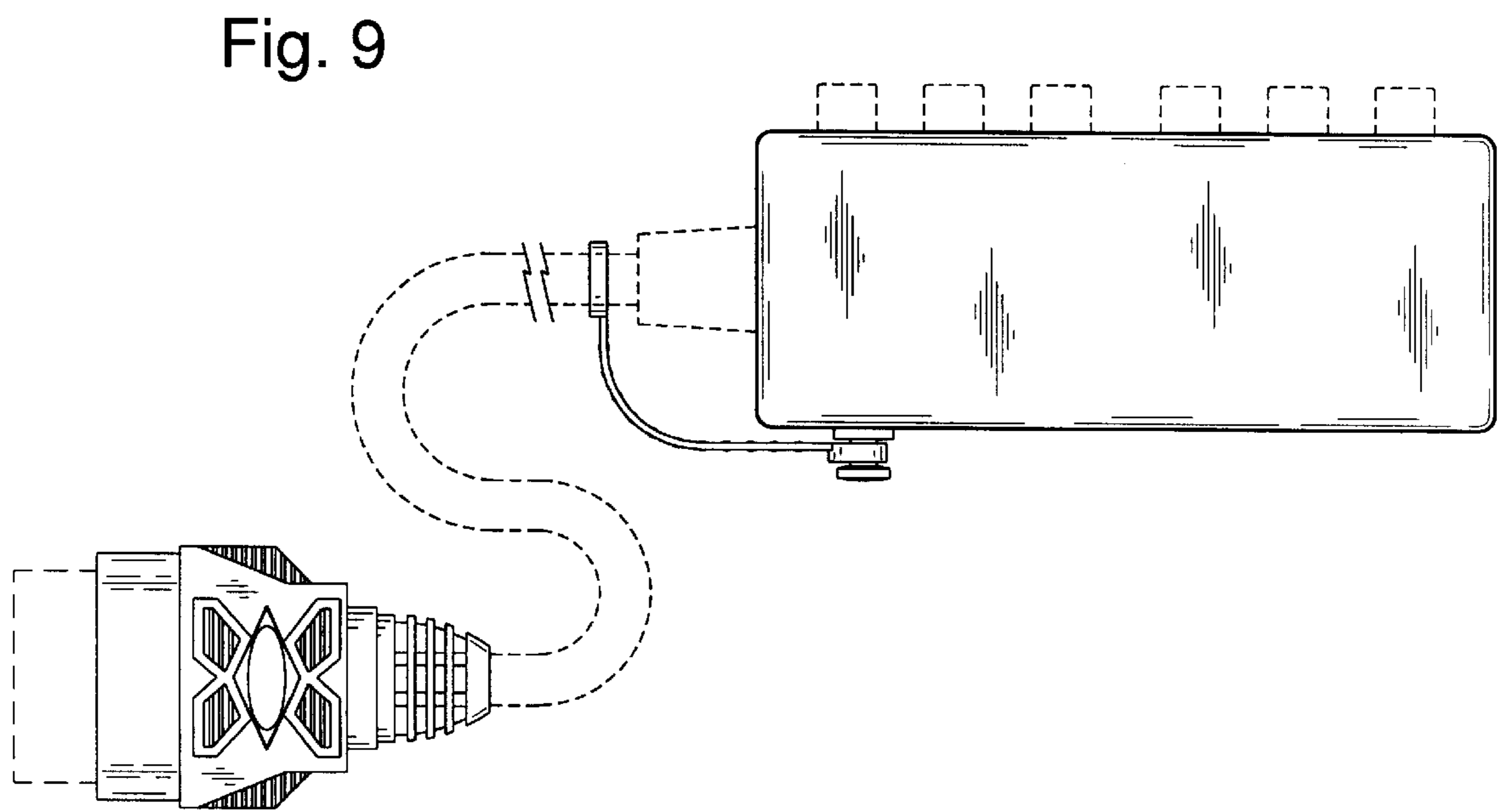


Fig. 9

Fig. 10

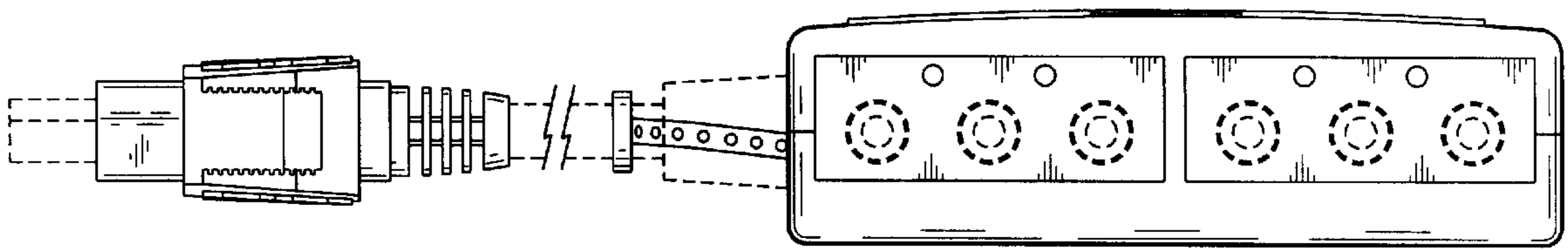


Fig. 11

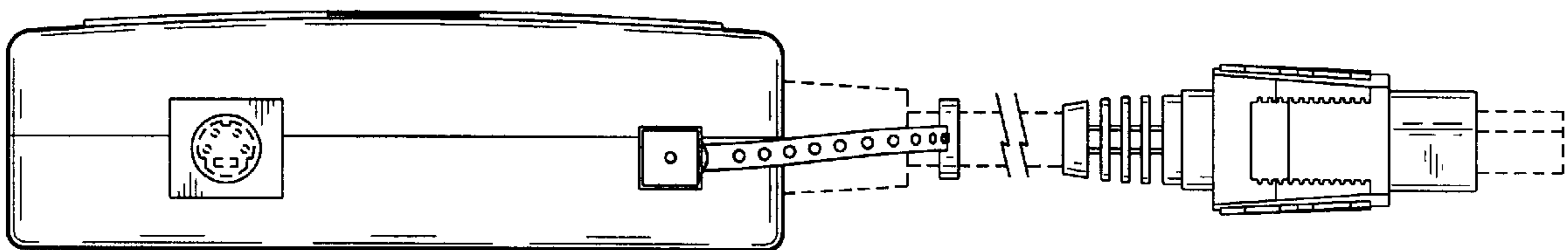
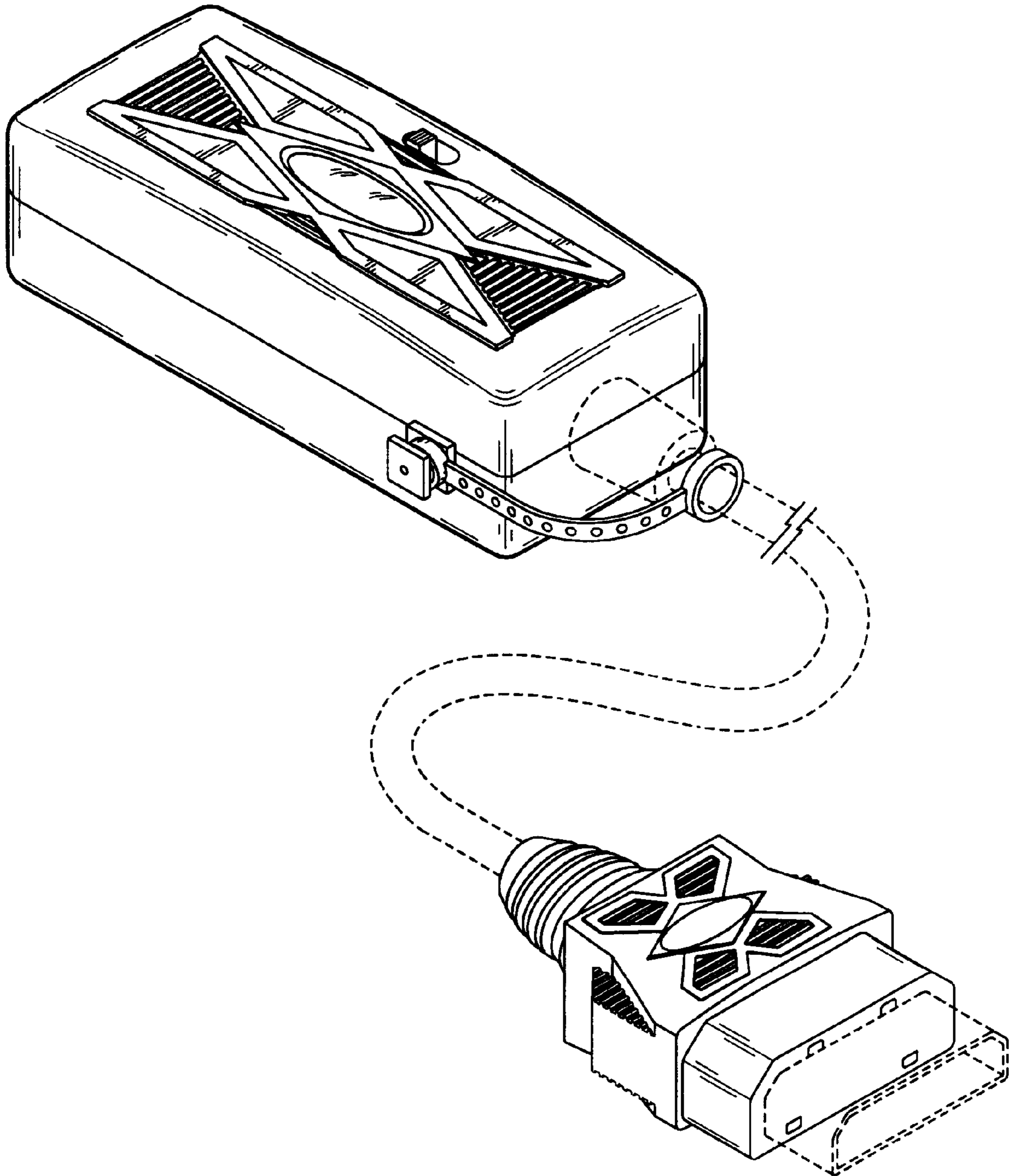


Fig. 12



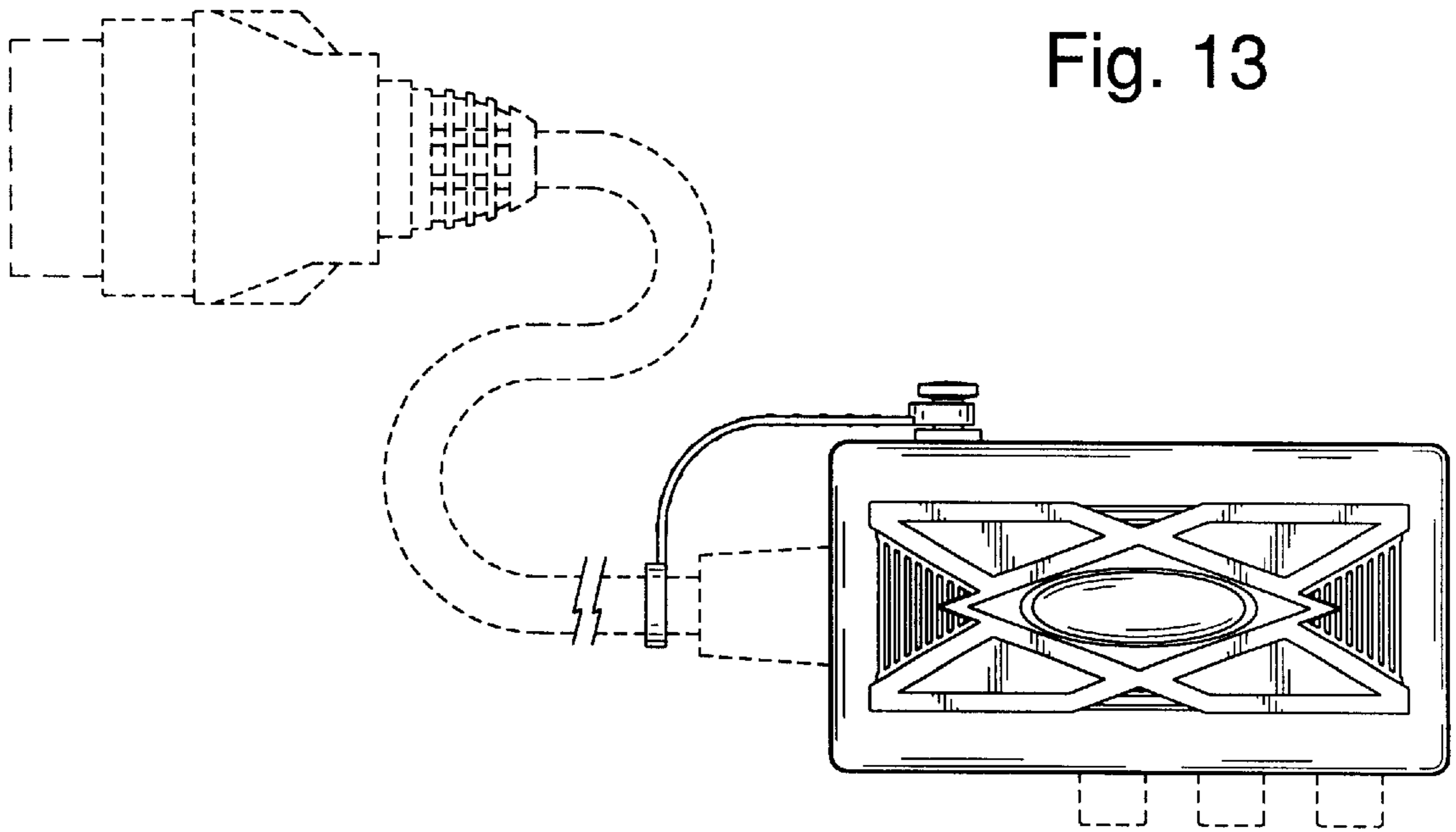


Fig. 13

Fig. 14

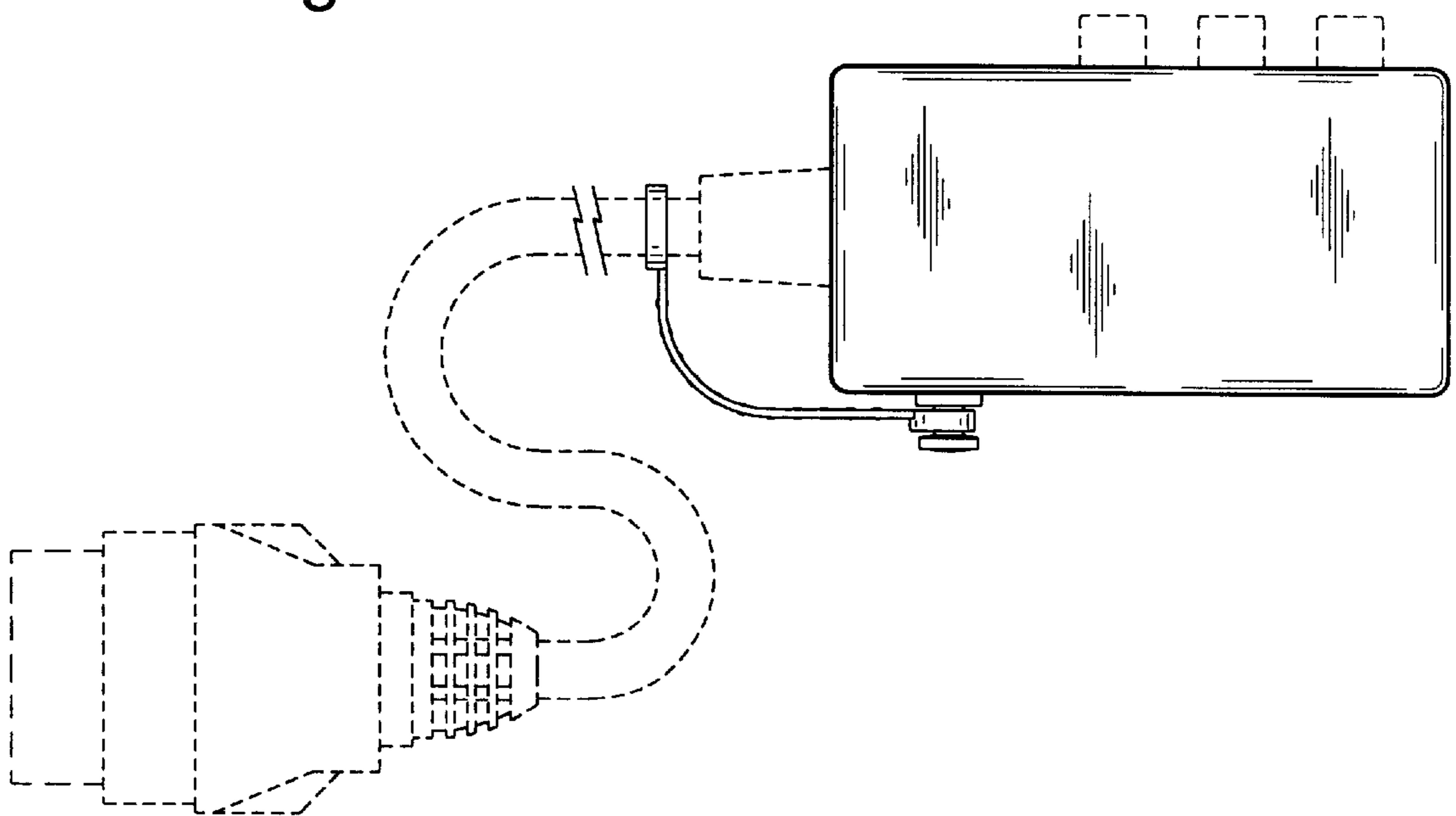


Fig. 15

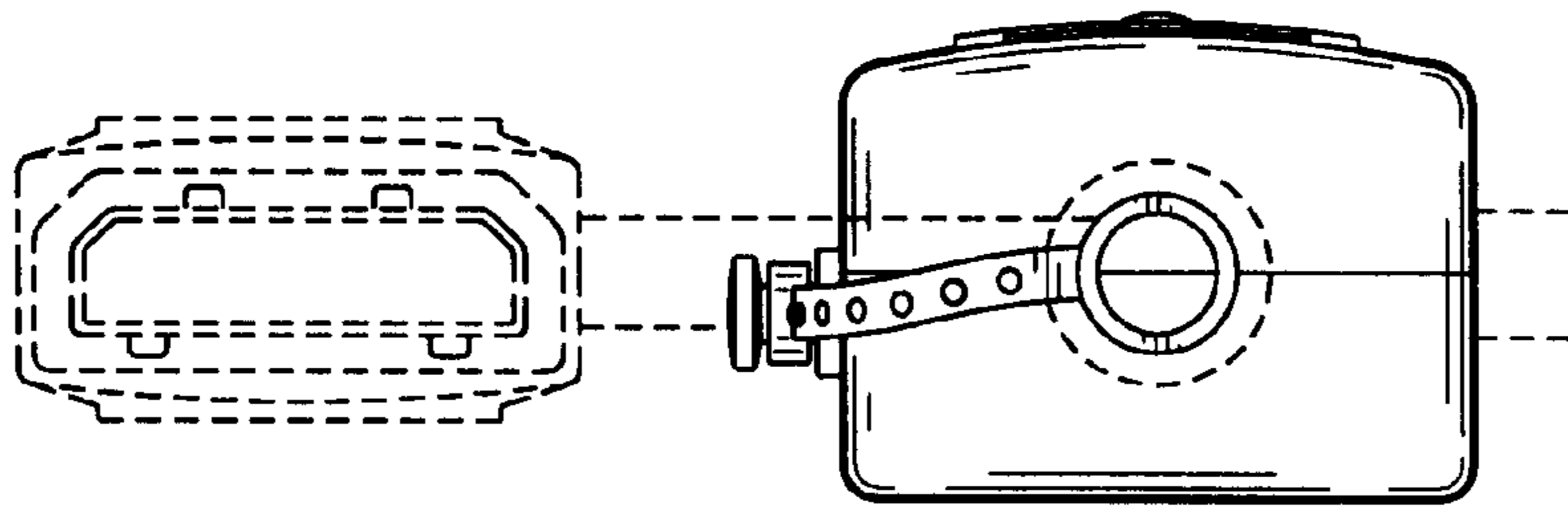


Fig. 16

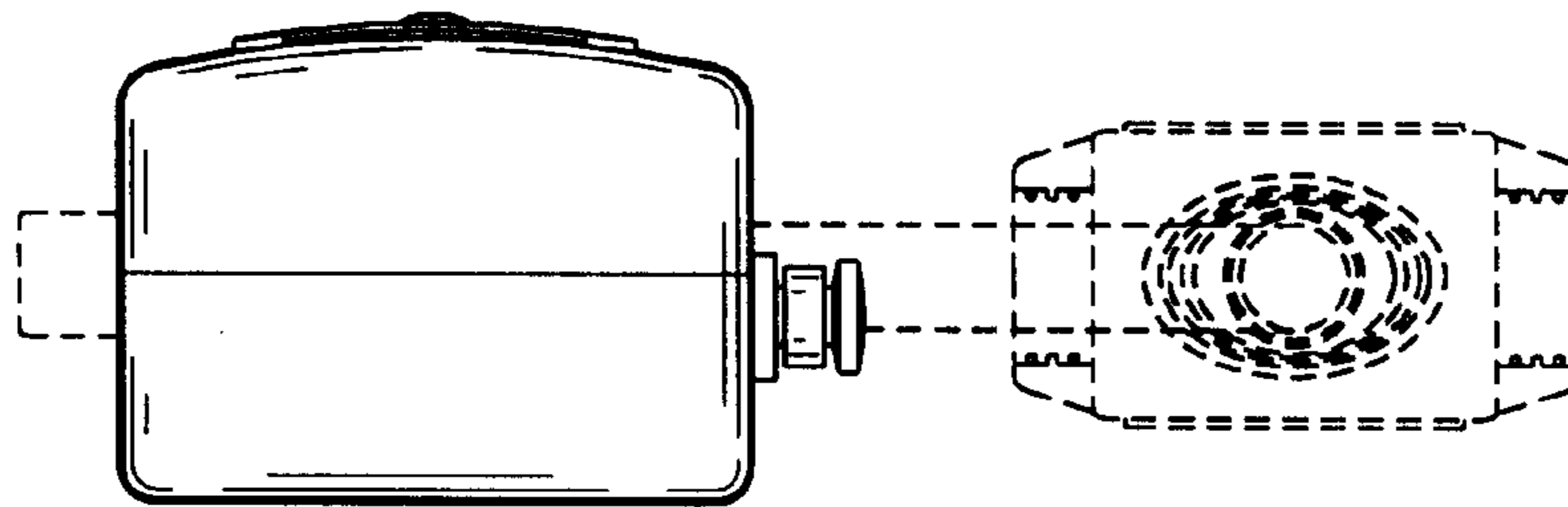


Fig. 17

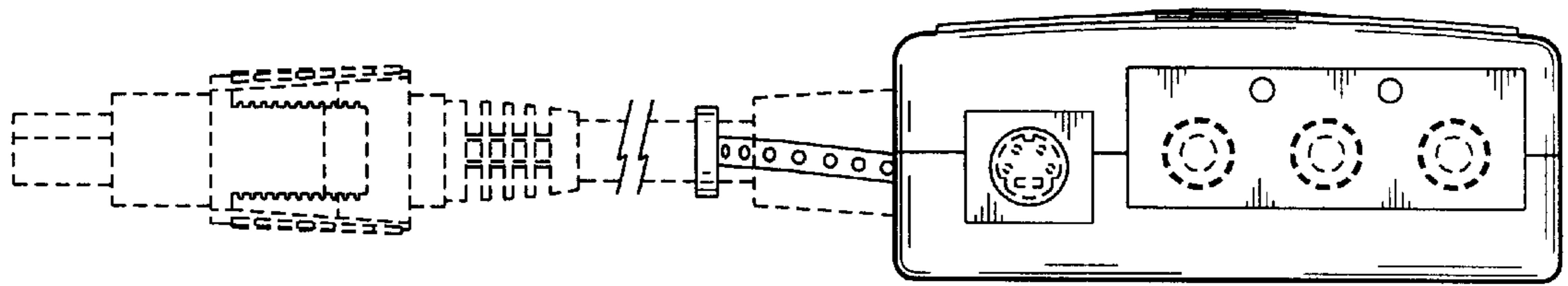


Fig. 18

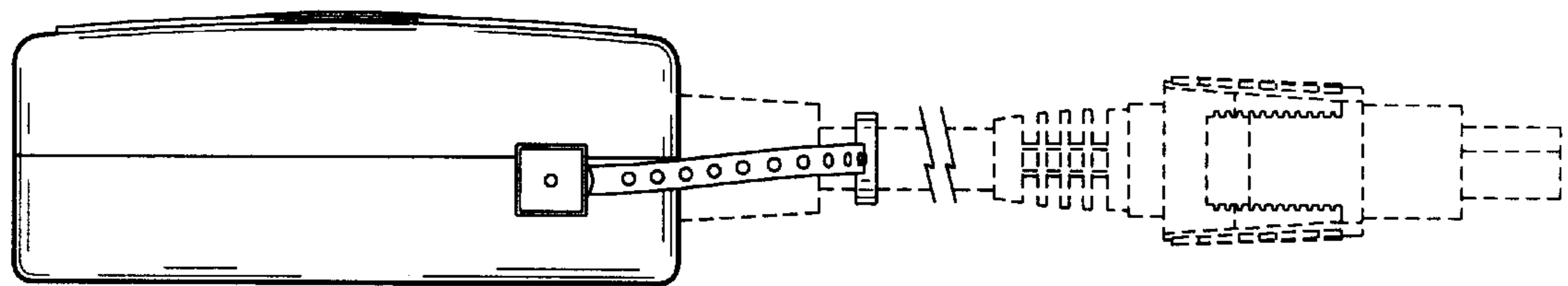


Fig. 19

