



US00D476641S

(12) **United States Design Patent**
Castro et al.

(10) **Patent No.:** **US D476,641 S**

(45) **Date of Patent:** **** Jul. 1, 2003**

(54) **PORTION OF A SPEAKER**

(75) Inventors: **Brian D. Castro**, Hermosa Beach, CA (US); **Christopher Neumann**, Granada Hills, CA (US); **Timothy Prenta**, Simi Valley, CA (US)

(73) Assignee: **Harman International Industries, Incorporated**, Northridge, CA (US)

(**) Term: **14 Years**

(21) Appl. No.: **29/161,843**

(22) Filed: **Jun. 6, 2002**

(51) **LOC (7) Cl.** **14-01**

(52) **U.S. Cl.** **D14/215; D14/214**

(58) **Field of Search** D14/204, 207, D14/209-216, 356; 181/144-145, 147-148, 150, 153, 157, 198-199; 381/300-302, 306, 333, 345, 361-364, 386-388

(56) **References Cited**

U.S. PATENT DOCUMENTS

4,843,624 A * 6/1989 Rashak 181/199

D307,014 S * 4/1990 Newman D14/210
D405,794 S * 2/1999 Olsen D14/204
D425,896 S * 5/2000 Ito et al. D14/214
D436,946 S * 1/2001 Lin D14/215

* cited by examiner

Primary Examiner—Nanda Bondade

(74) *Attorney, Agent, or Firm*—Plumsea Law Group, LLC

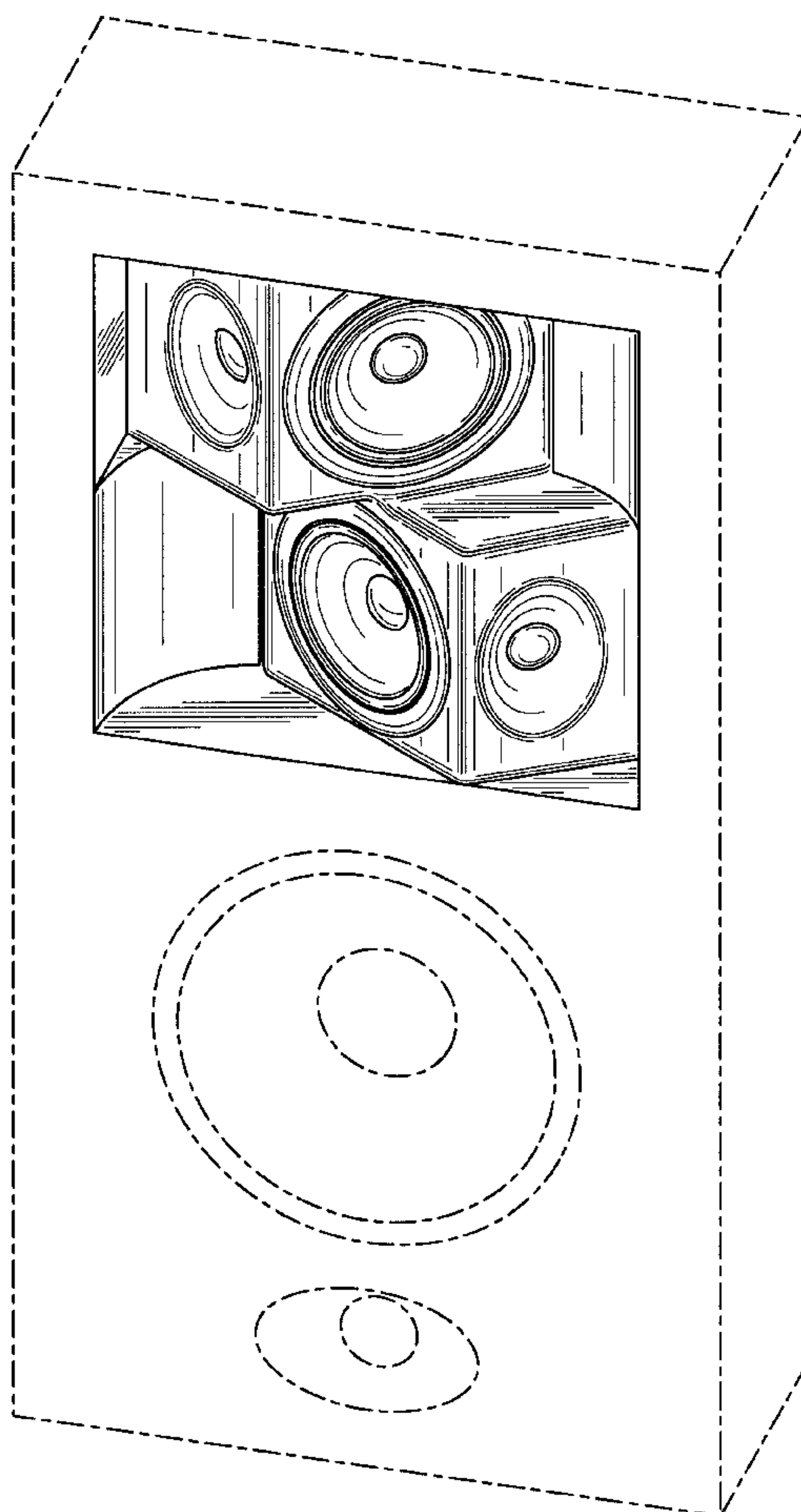
(57) **CLAIM**

The ornamental design for a portion of a speaker, as shown and described.

DESCRIPTION

FIG. 1 is a right perspective view of a portion of a speaker showing our new design;
FIG. 2 is a front elevational view thereof;
FIG. 3 is a left perspective view thereof; and,
FIG. 4 is a perspective view thereof viewed from the bottom. The broken line showing of the remainder of the speaker cabinet and circular elements is for illustrative purposes only and form no part of the claimed design.

1 Claim, 4 Drawing Sheets



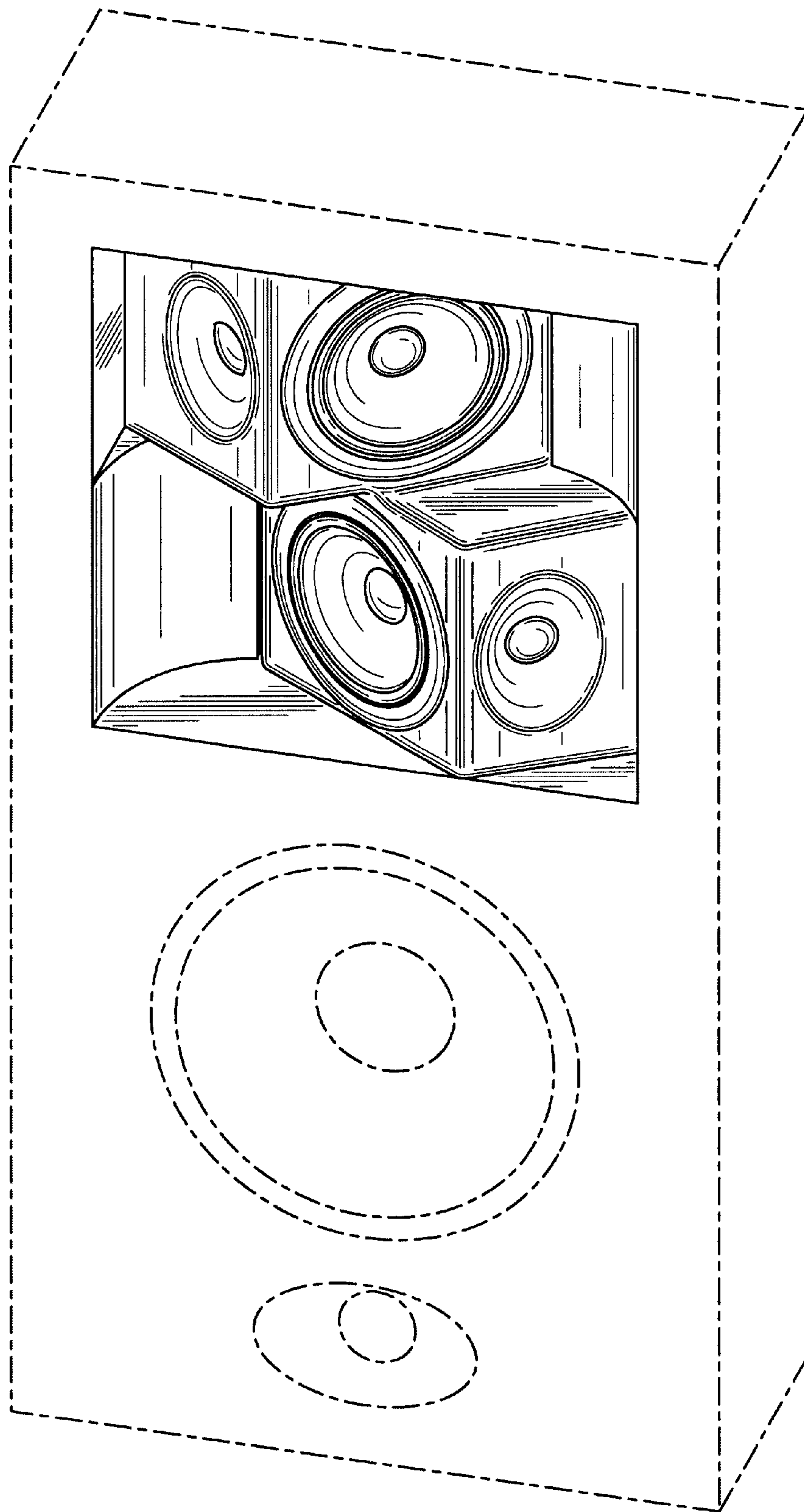


FIG. 1

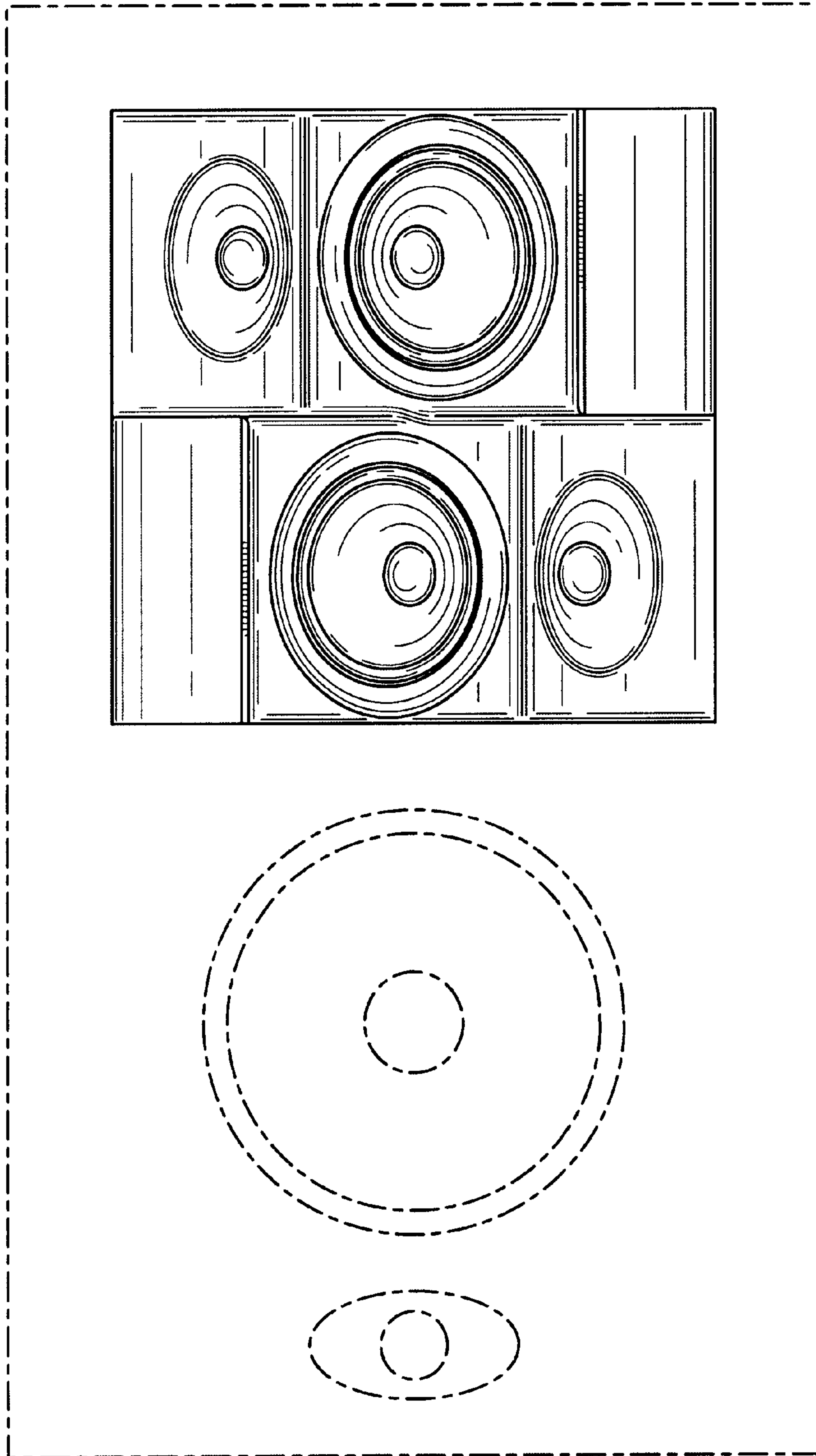


FIG. 2

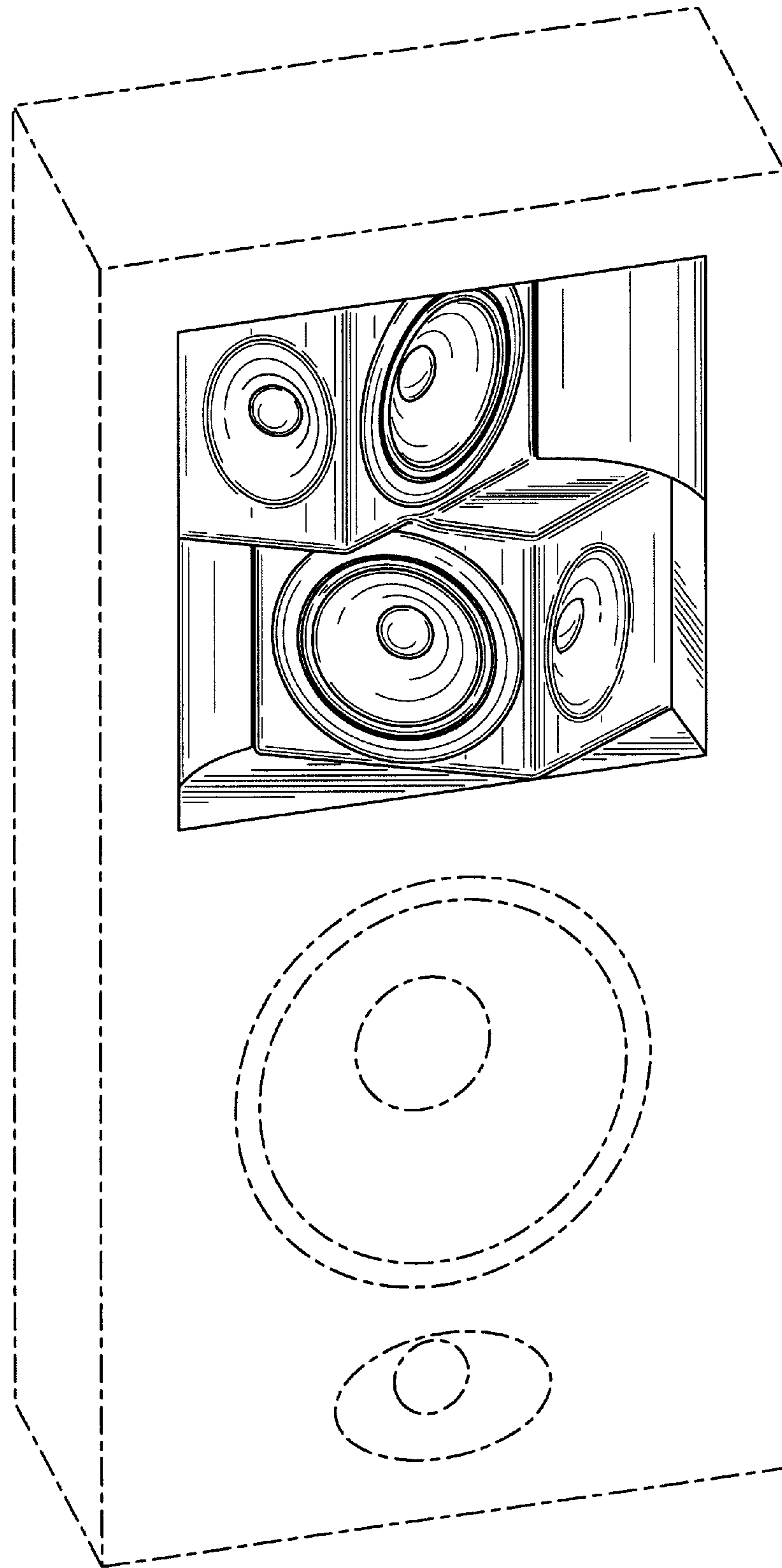


FIG. 3

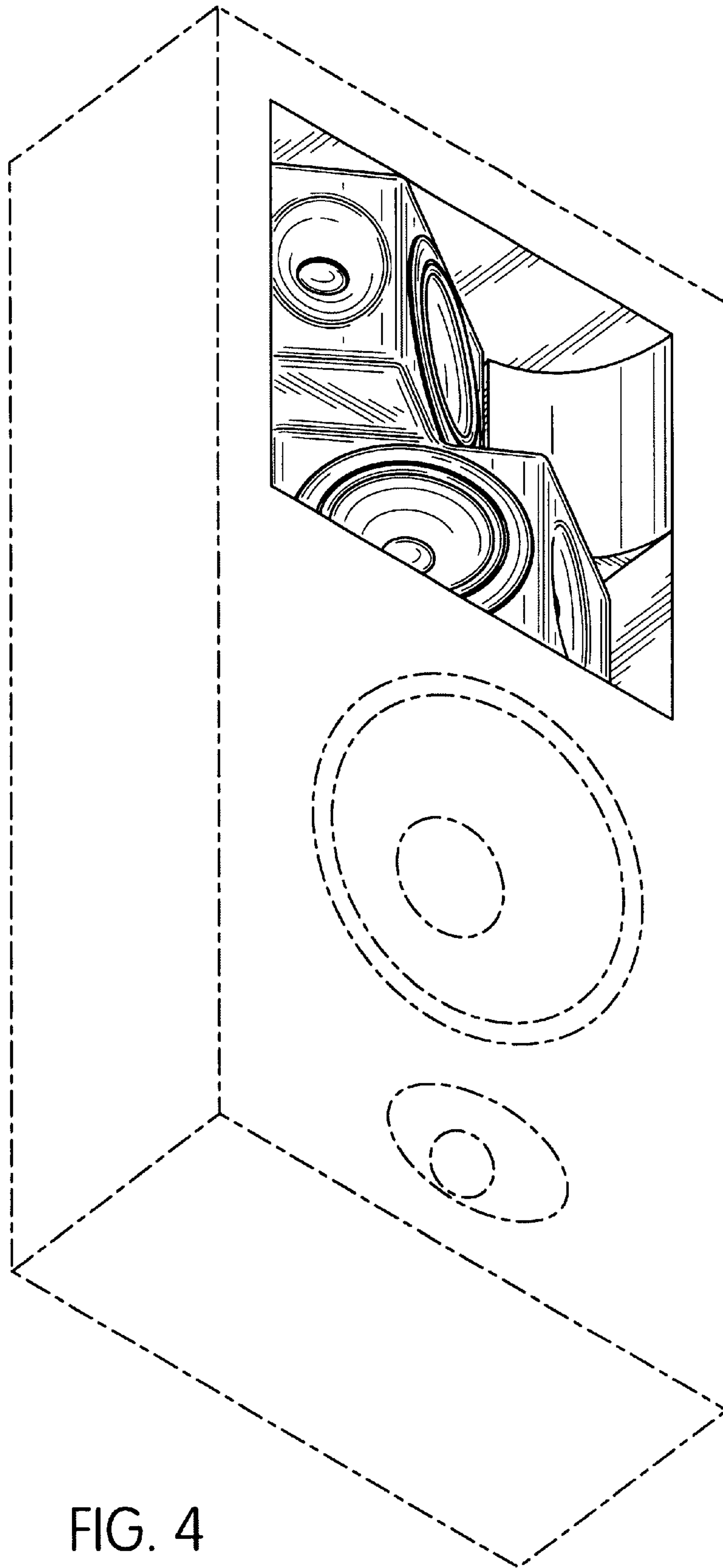


FIG. 4