



US00D476637S

(12) **United States Design Patent**  
**Song et al.**

(10) **Patent No.:** **US D476,637 S**

(45) **Date of Patent:** **\*\* Jul. 1, 2003**

(54) **CD/DVD DUPLICATOR**

D434,748 S \* 12/2000 Tejima ..... D14/168  
D441,351 S \* 5/2001 Ito et al. .... D14/168

(76) Inventors: **Ming-Chi Song**, PO Box 82-144,  
Taipei (TW); **Chi-Hsiu Lee**, PO Box  
82-144, Taipei (TW)

\* cited by examiner

(\*\*) Term: **14 Years**

*Primary Examiner*—N. Bondade  
(74) *Attorney, Agent, or Firm*—Leong C. Lei

(21) Appl. No.: **29/163,194**

(57) **CLAIM**

(22) Filed: **Jul. 1, 2002**

The ornamental design for a CD/DVD duplicator, as shown  
and described.

(51) **LOC (7) Cl.** ..... **14-01**

**DESCRIPTION**

(52) **U.S. Cl.** ..... **D14/167**

(58) **Field of Search** ..... D14/135-136,  
D14/156-157, 167-168, 188, 193-198,  
257-258, 311; 369/75.1, 75.2, 77.1, 77.2;  
455/344, 347, 350-351

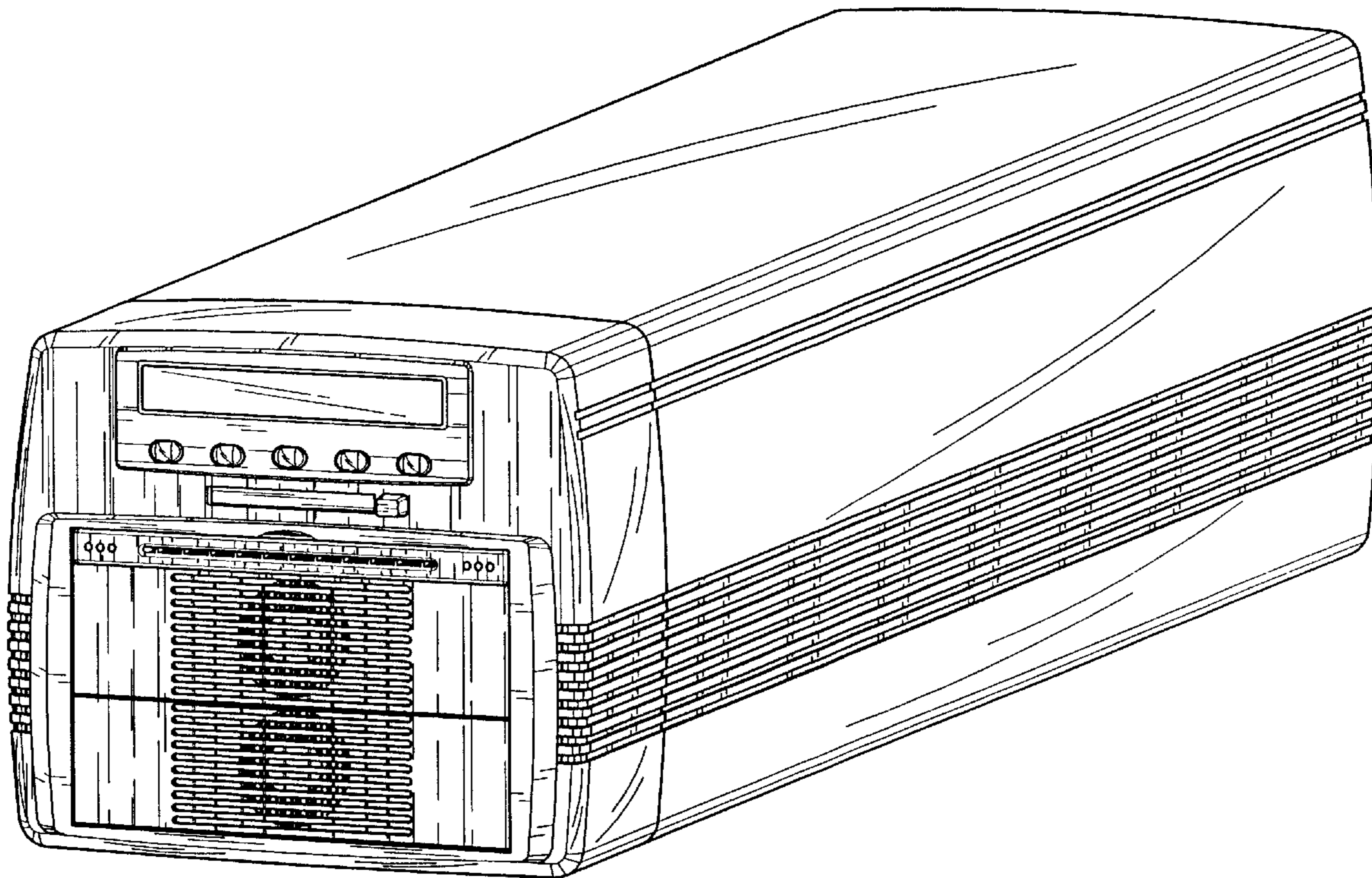
FIG. 1 is perspective view of a CD/DVD duplicator showing  
our new design;  
FIG. 2 is a front elevation view thereof;  
FIG. 3 is a left side elevation view thereof;  
FIG. 4 is a right side elevation view thereof;  
FIG. 5 is a rear elevation view thereof;  
FIG. 6 is a top plan view thereof; and,  
FIG. 7 is a bottom plan view thereof.

(56) **References Cited**

**U.S. PATENT DOCUMENTS**

D341,574 S \* 11/1993 Fiorella et al. .... D14/311  
D423,009 S \* 4/2000 Tejima ..... D14/168

**1 Claim, 5 Drawing Sheets**



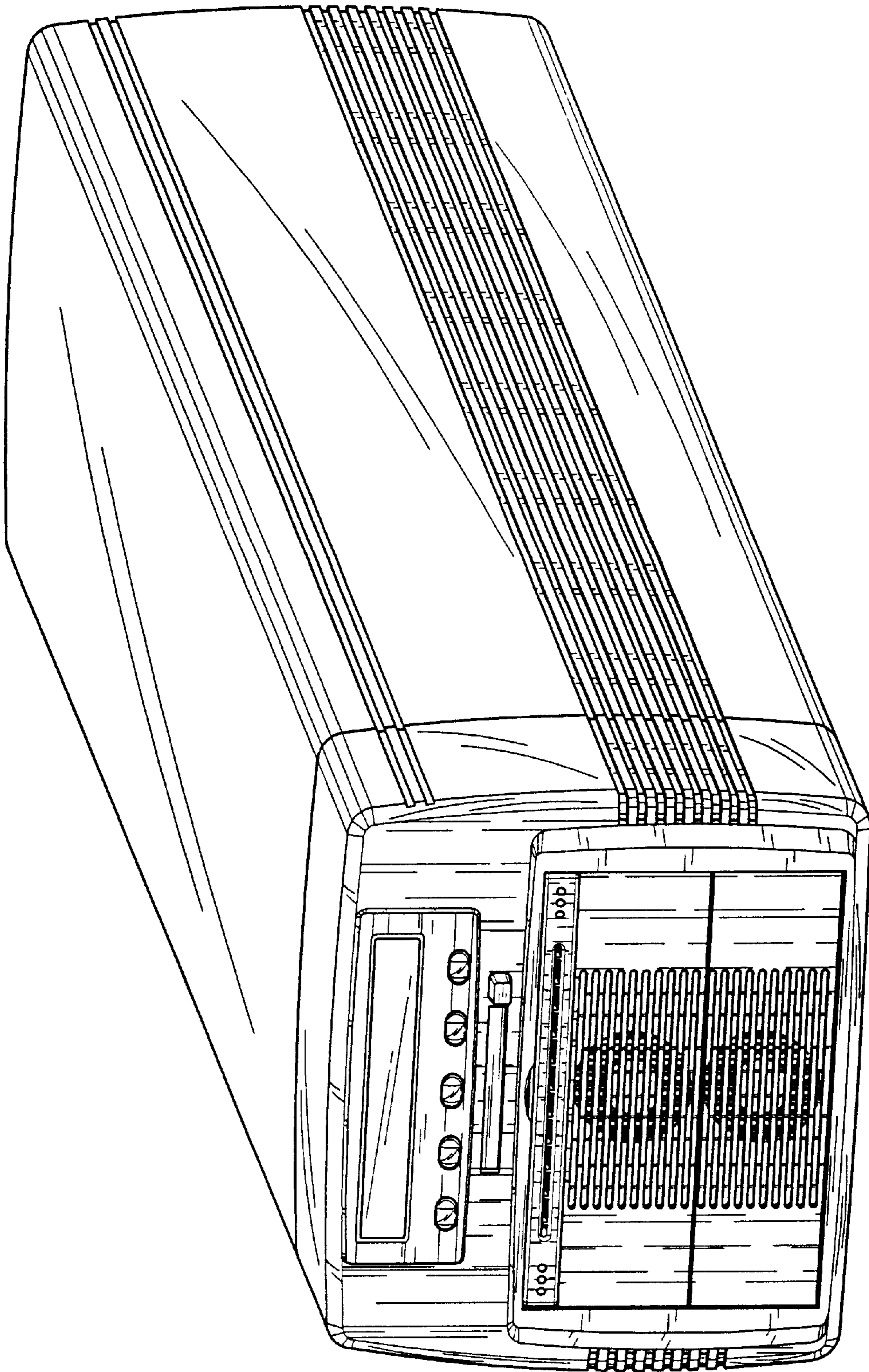


FIG. 1

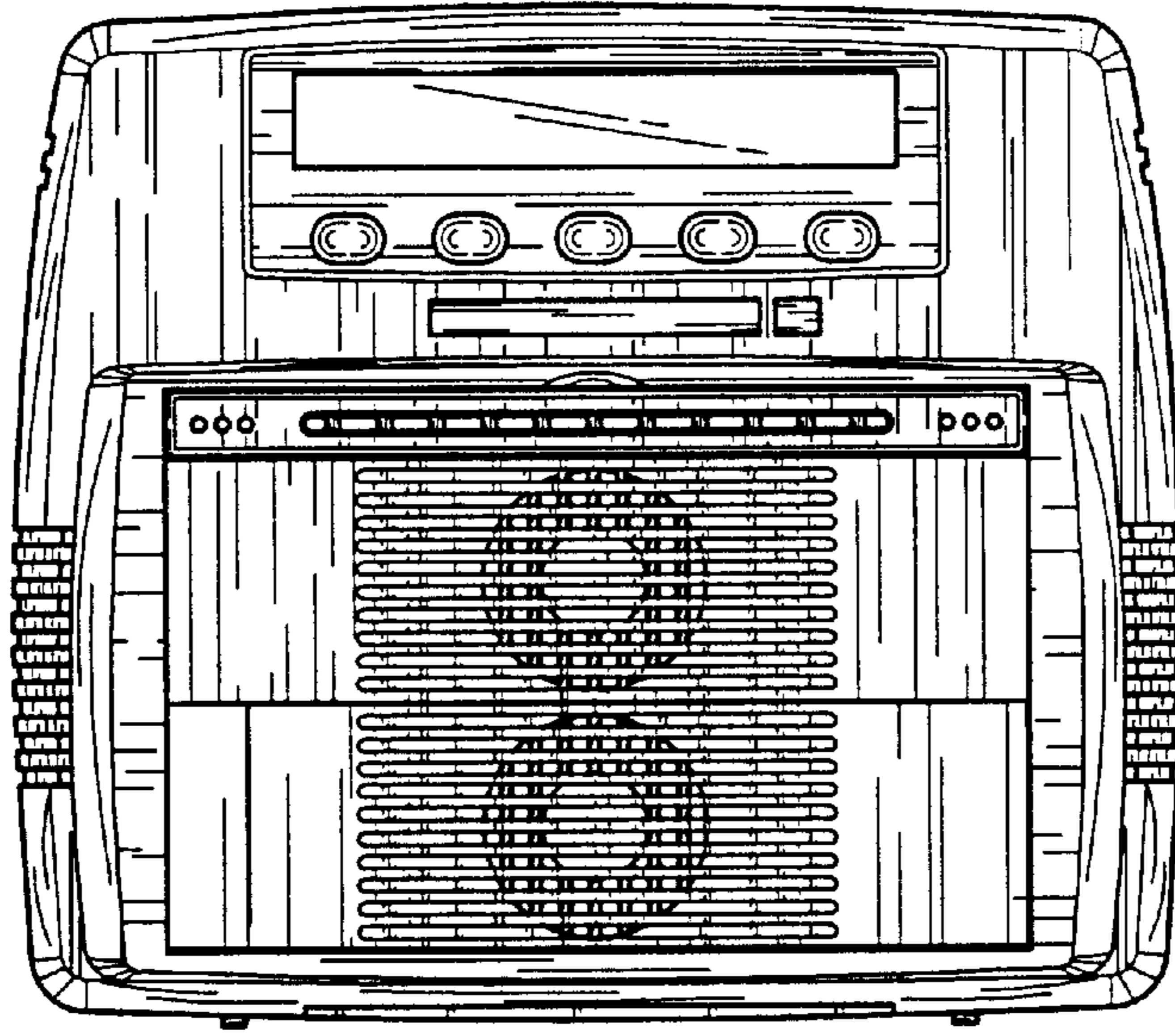


FIG. 2

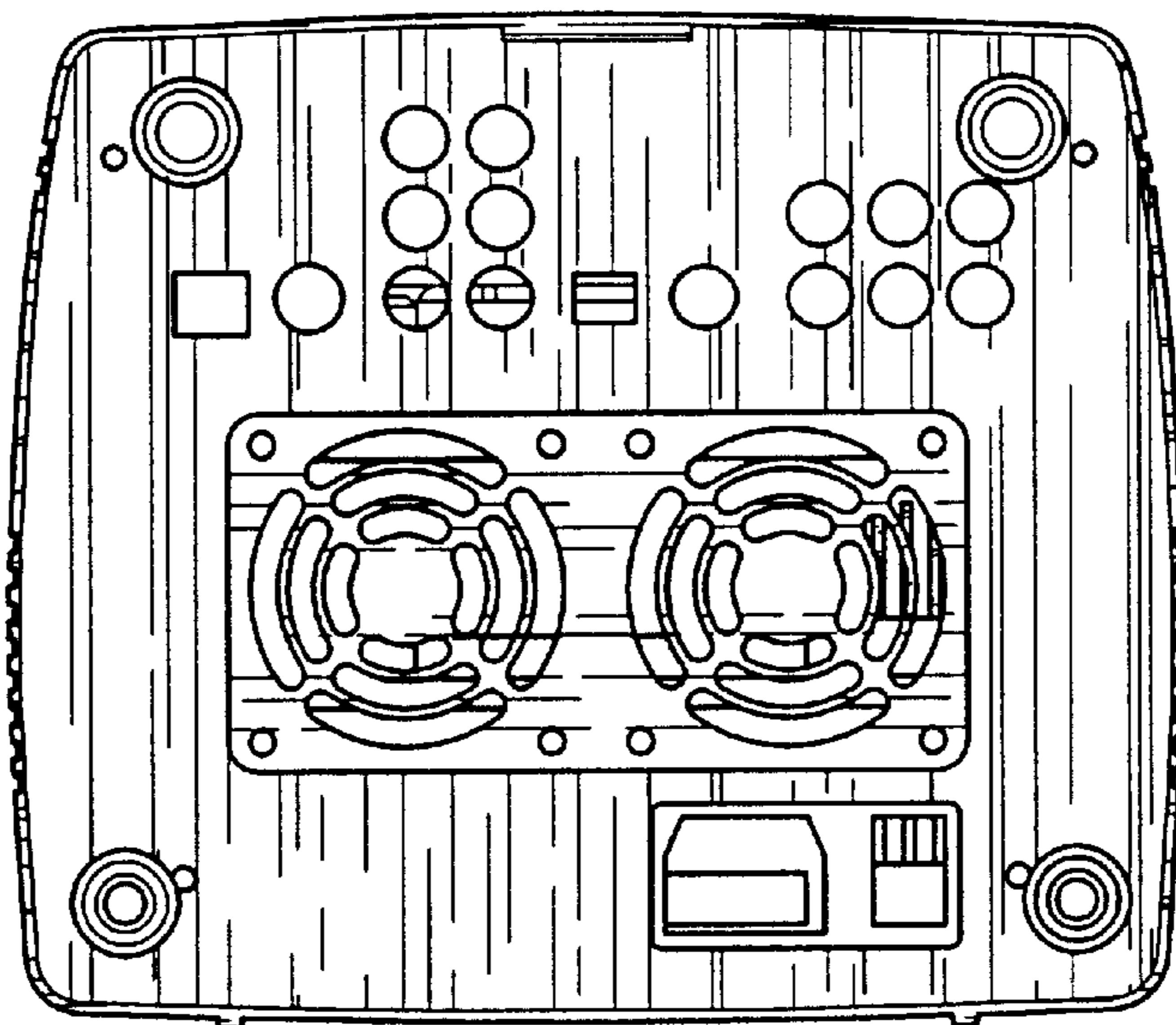


FIG. 5

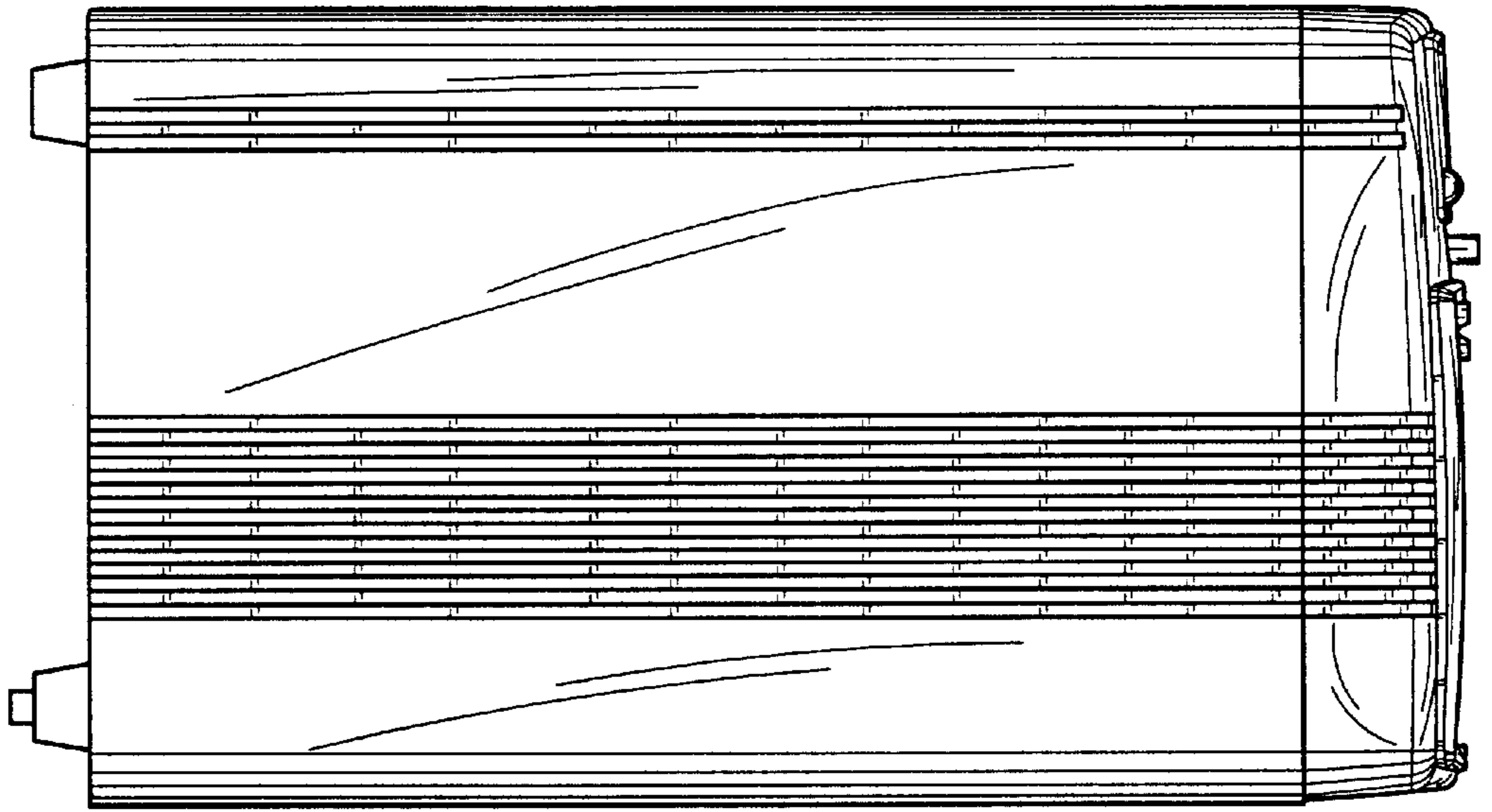


FIG. 3

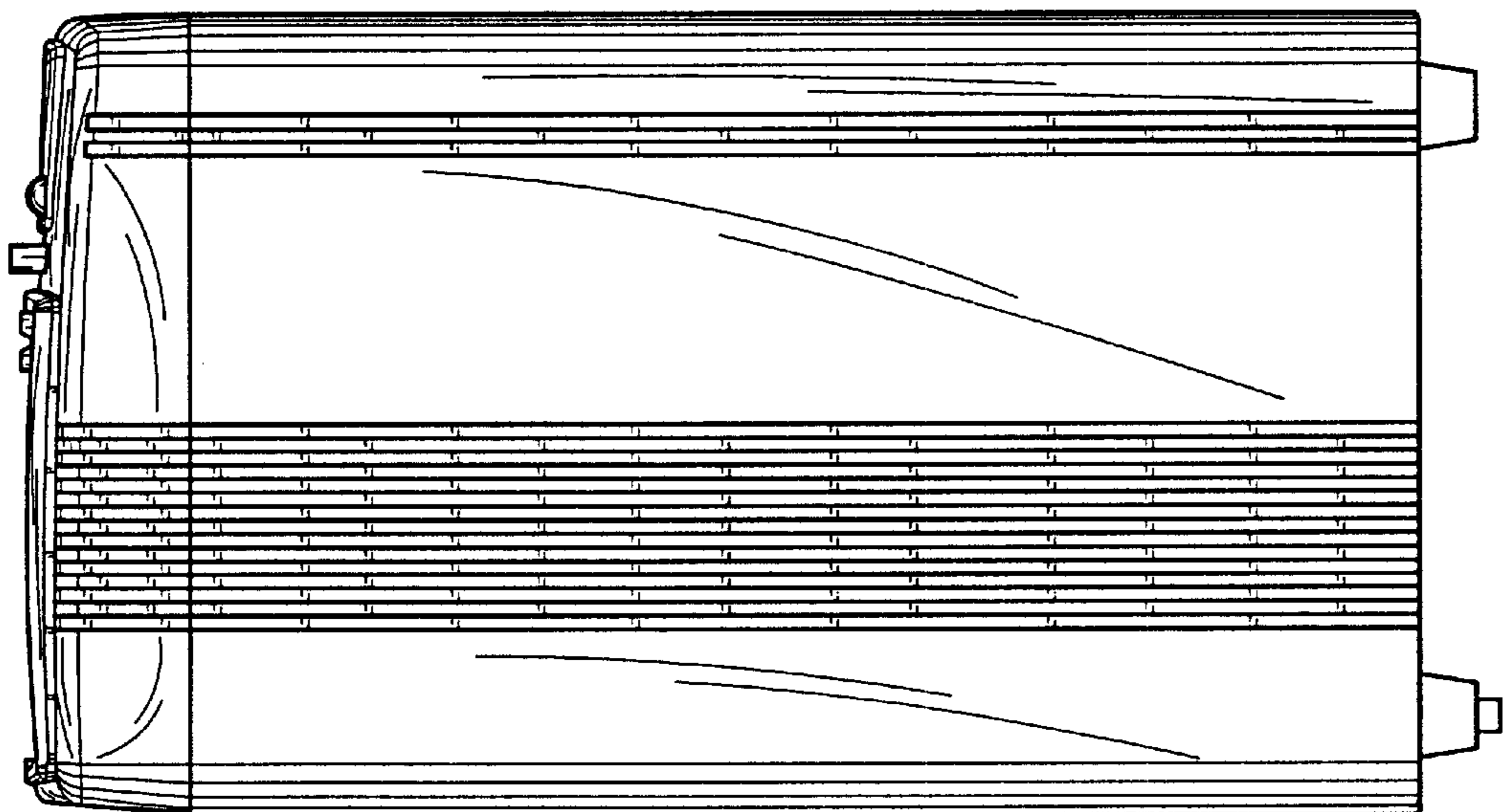


FIG. 4

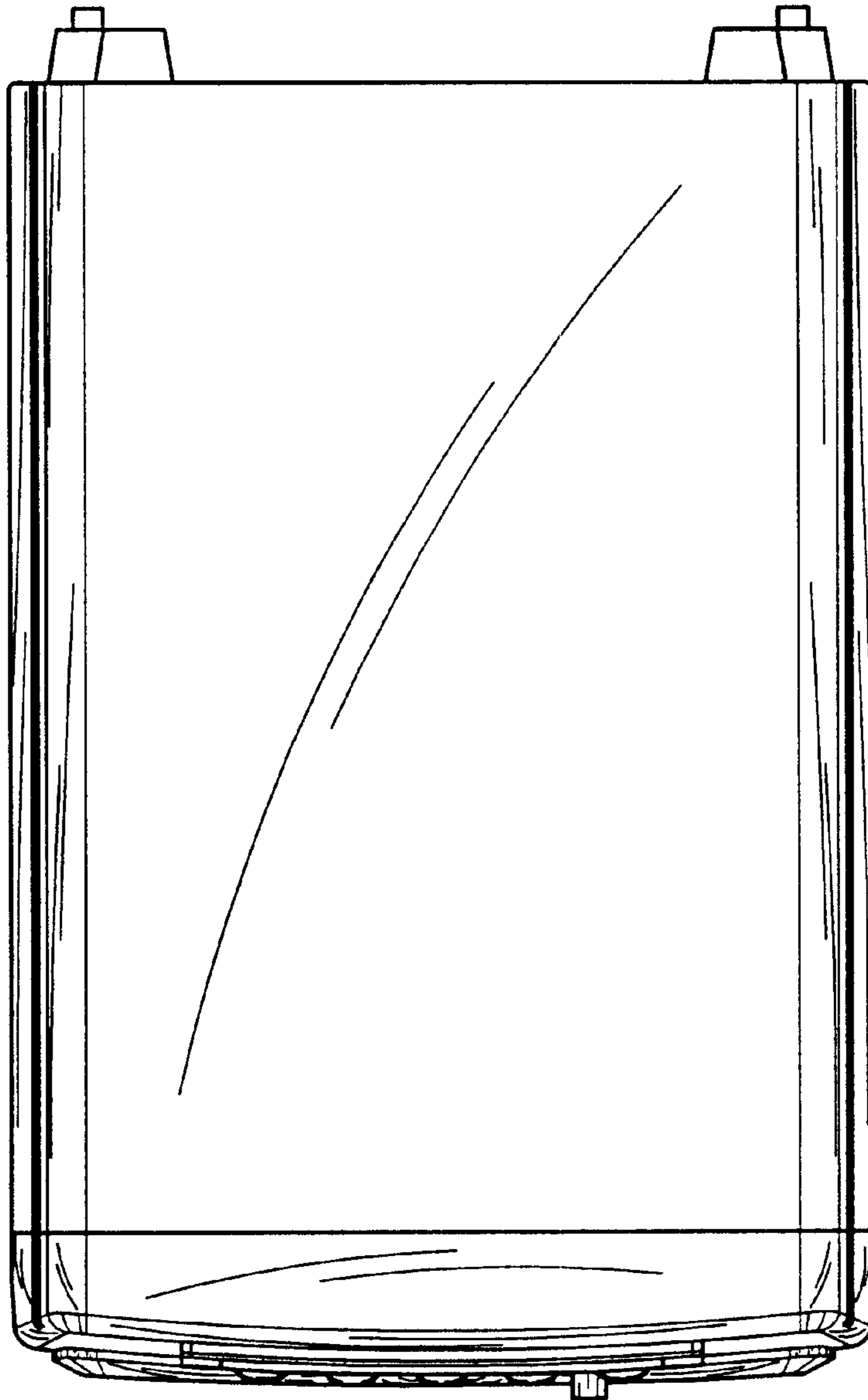


FIG. 6

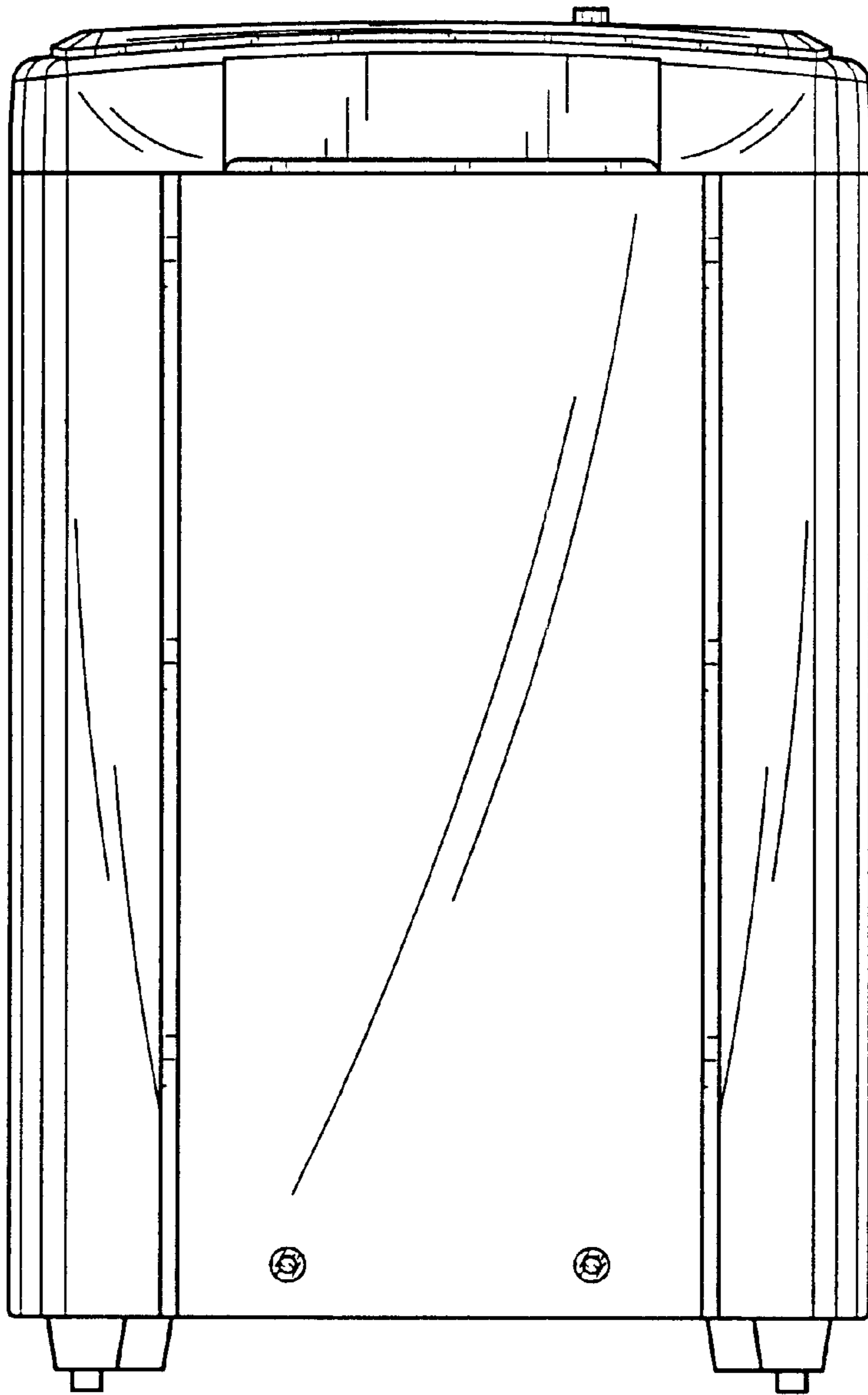


FIG. 7