



US00D476635S

(12) **United States Design Patent**
Nagai et al.

(10) **Patent No.: US D476,635 S**
(45) **Date of Patent: ** Jul. 1, 2003**

(54) **PORTABLE WIRELESS TELEPHONE**

(75) Inventors: **Michio Nagai**, Tokyo (JP); **Atsushi Ohta**, Tokyo (JP); **Masaki Shimamura**, Tokyo (JP); **Katsuya Sakaguchi**, Tokyo (JP); **Kazuya Kumazawa**, Tokyo (JP); **Kazuo Oosawa**, Tokyo (JP); **Jin Kuramoto**, Tokyo (JP); **Mitsuaki Kanada**, Tokyo (JP); **Kazuhiko Yamaoka**, Tokyo (JP)

(73) Assignee: **NEC Corporation**, Tokyo (JP)

(**) Term: **14 Years**

(21) Appl. No.: **29/165,621**

(22) Filed: **Aug. 15, 2002**

(30) **Foreign Application Priority Data**

Feb. 15, 2002 (JP) 2002-003739

(51) **LOC (7) Cl.** **14-03**

(52) **U.S. Cl.** **D14/138**

(58) **Field of Search** D14/137, 138,
D14/218, 147-148, 247-248, 144, 341-347;
379/433.01-433.13, 419, 434, 428.01-428.04,
420.01-420.04, 440; 455/550-575, 90;
D21/517

(56) **References Cited**

U.S. PATENT DOCUMENTS

D429,228 S	*	8/2000	Nagele et al.	D14/138
D434,402 S	*	11/2000	Lee	D14/138
D440,955 S	*	4/2001	Tanaka et al.	D14/138
D443,866 S	*	6/2001	Arbisi et al.	D14/138
D446,201 S	*	8/2001	Kim	D14/138
D447,128 S	*	8/2001	Lee et al.	D14/138
D454,550 S	*	3/2002	Hayasaka et al.	D14/138
D456,378 S	*	4/2002	Fujimoto	D14/138
D458,240 S	*	6/2002	Suzuki et al.	D14/138

D458,913 S	*	6/2002	Suzuki et al.	D14/138
D459,322 S	*	6/2002	Hyun	D14/138
D459,329 S	*	6/2002	Suzuki et al.	D14/138
D459,330 S	*	6/2002	Suzuki et al.	D14/138
D463,386 S	*	9/2002	Chun et al.	D14/138
D464,032 S	*	10/2002	Hayasaka et al.	D14/138
D464,632 S	*	10/2002	Nagai et al.	D14/138
D464,633 S	*	10/2002	Nagai et al.	D14/138
D464,634 S	*	10/2002	Tamaru et al.	D14/138
D465,467 S	*	11/2002	Nagai et al.	D14/138
D469,070 S	*	1/2003	Lee	D14/138
2001/0011030 A1	*	8/2001	Kuroda	455/566
2002/0006809 A1	*	1/2002	Kubo et al.	455/550
2002/0009192 A1	*	1/2002	Nakamura	379/433.01
2002/0013159 A1	*	1/2002	Takahashi et al.	455/550
2002/0098810 A1	*	7/2002	Murakami	455/90
2002/0146989 A1	*	10/2002	Moriki	455/90

OTHER PUBLICATIONS

Home page "Digital Mova" NTTDoCoMo, Sep. 26, 2000, 209iS, 209i, and 502i telephones.*

* cited by examiner

Primary Examiner—Jeffrey Asch

(74) *Attorney, Agent, or Firm*—Sughrue Mion, PLLC

(57) **CLAIM**

The ornamental design for a portable wireless telephone, as shown.

DESCRIPTION

FIG. 1 is a perspective view of the front and right side of a portable wireless telephone showing our new design; FIG. 2 is a front elevational view thereof; FIG. 3 is a rear elevational view thereof; FIG. 4 is a bottom plan view thereof; FIG. 5 is a top plan view thereof; FIG. 6 is a right side elevational view thereof; and, FIG. 7 is a left side elevational view thereof.

1 Claim, 6 Drawing Sheets

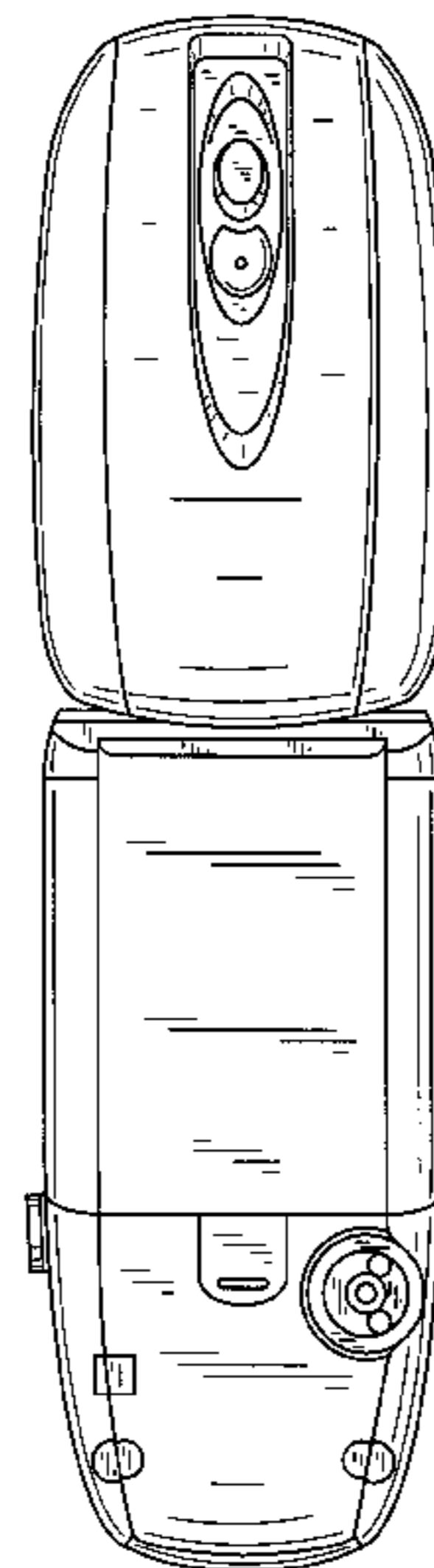
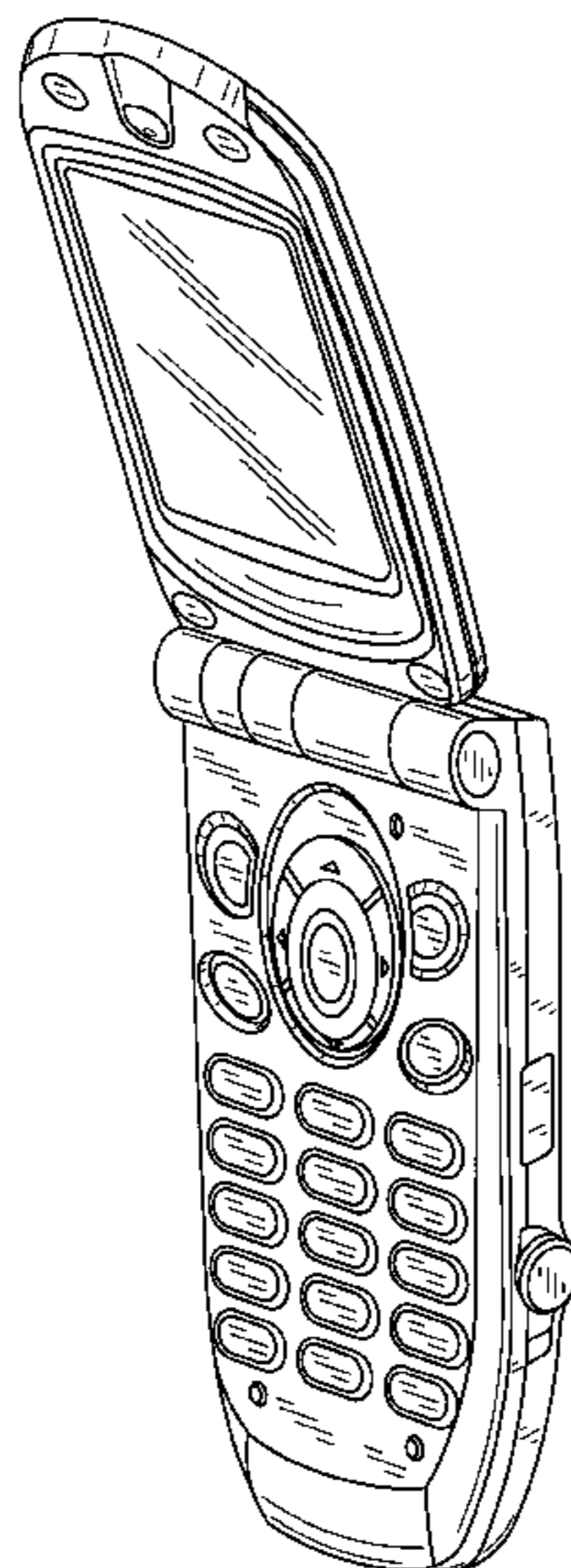


FIG. 1

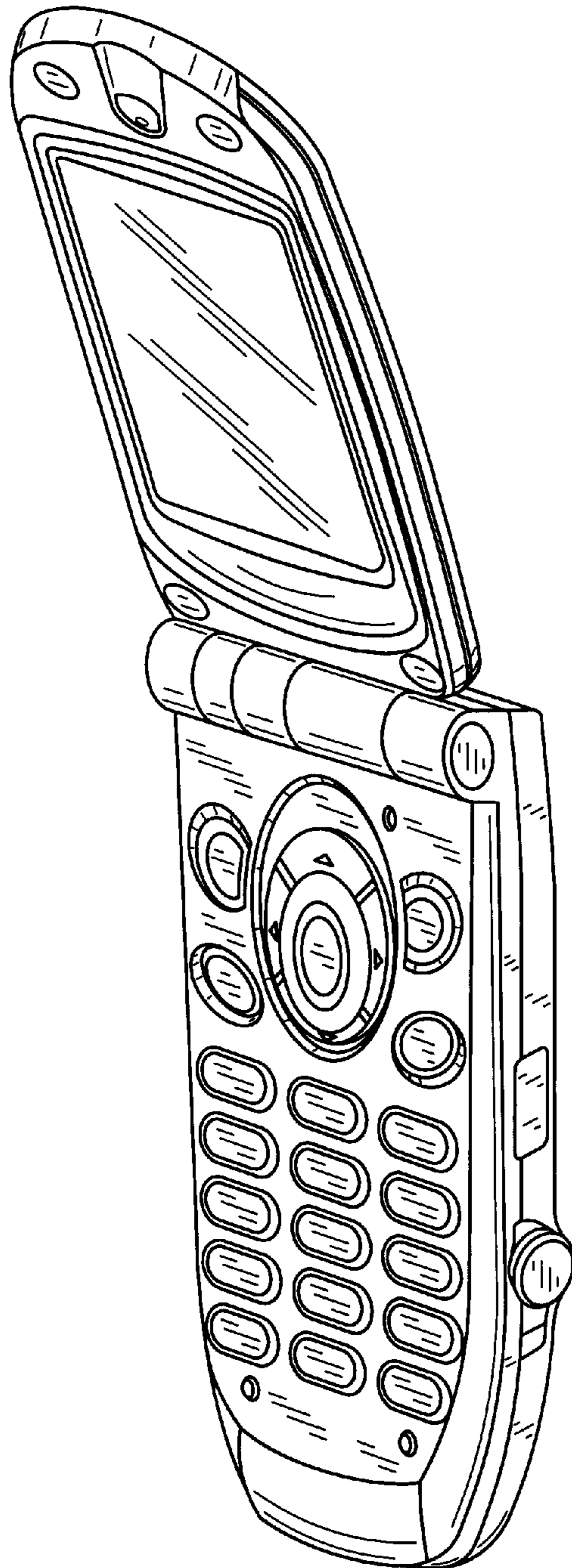


FIG. 2

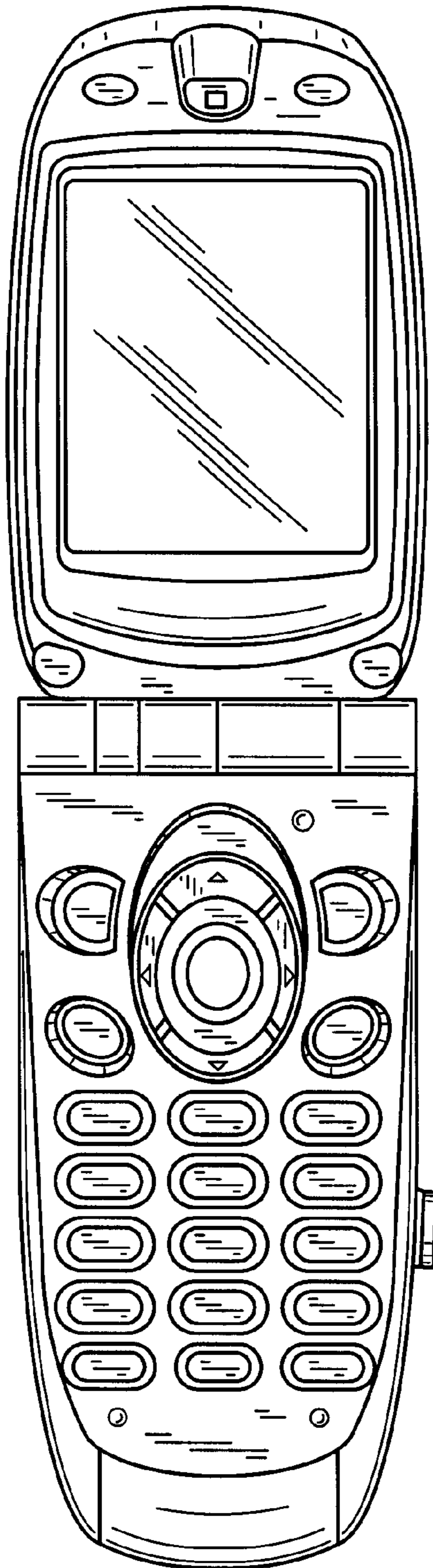


FIG. 3

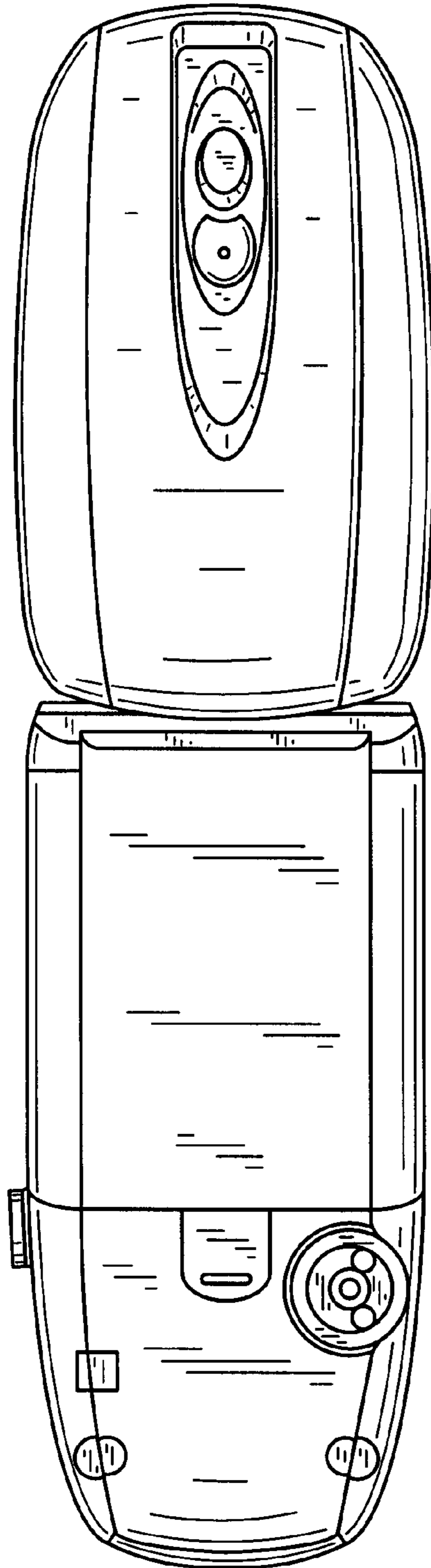


FIG. 4

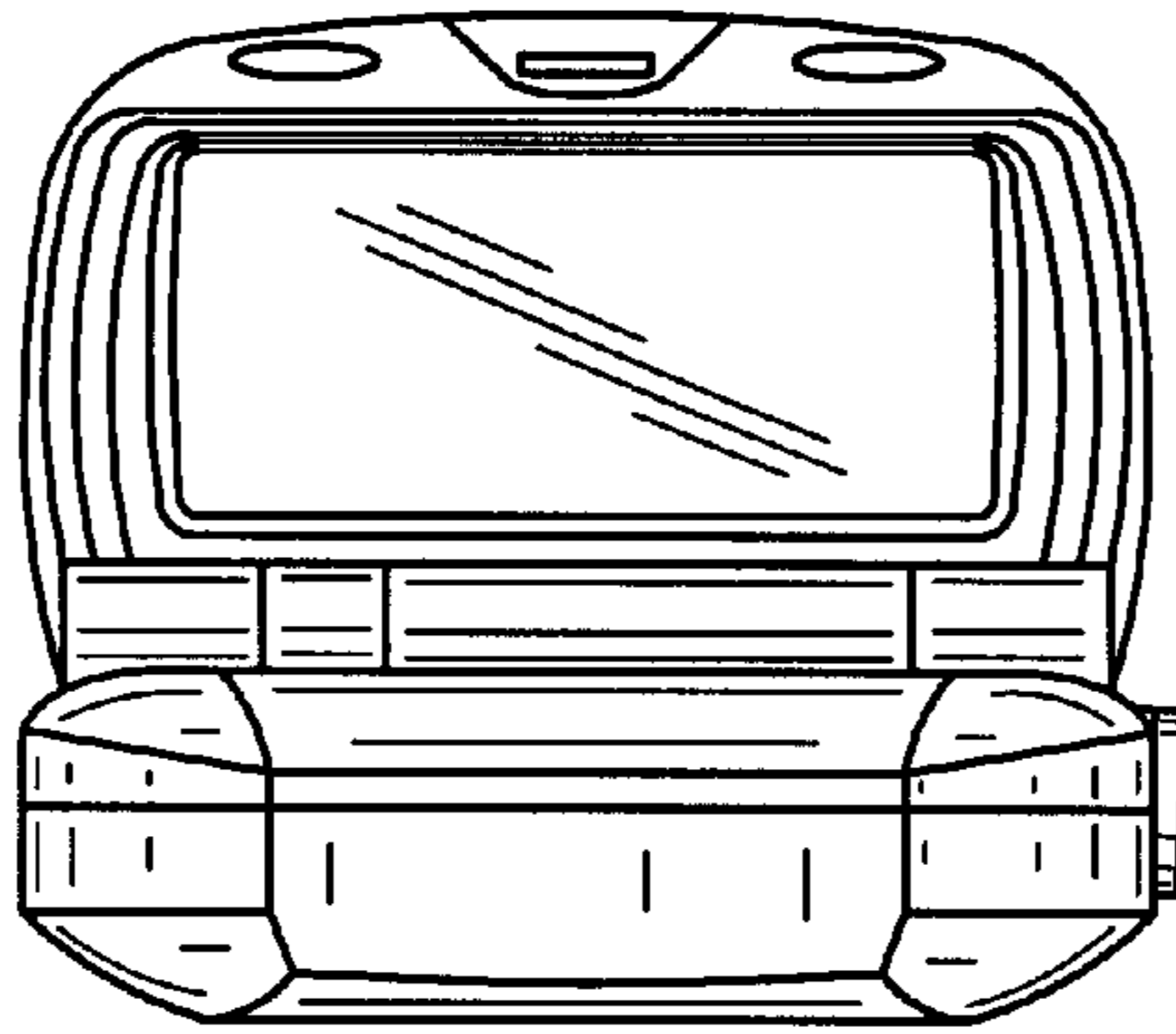


FIG. 5

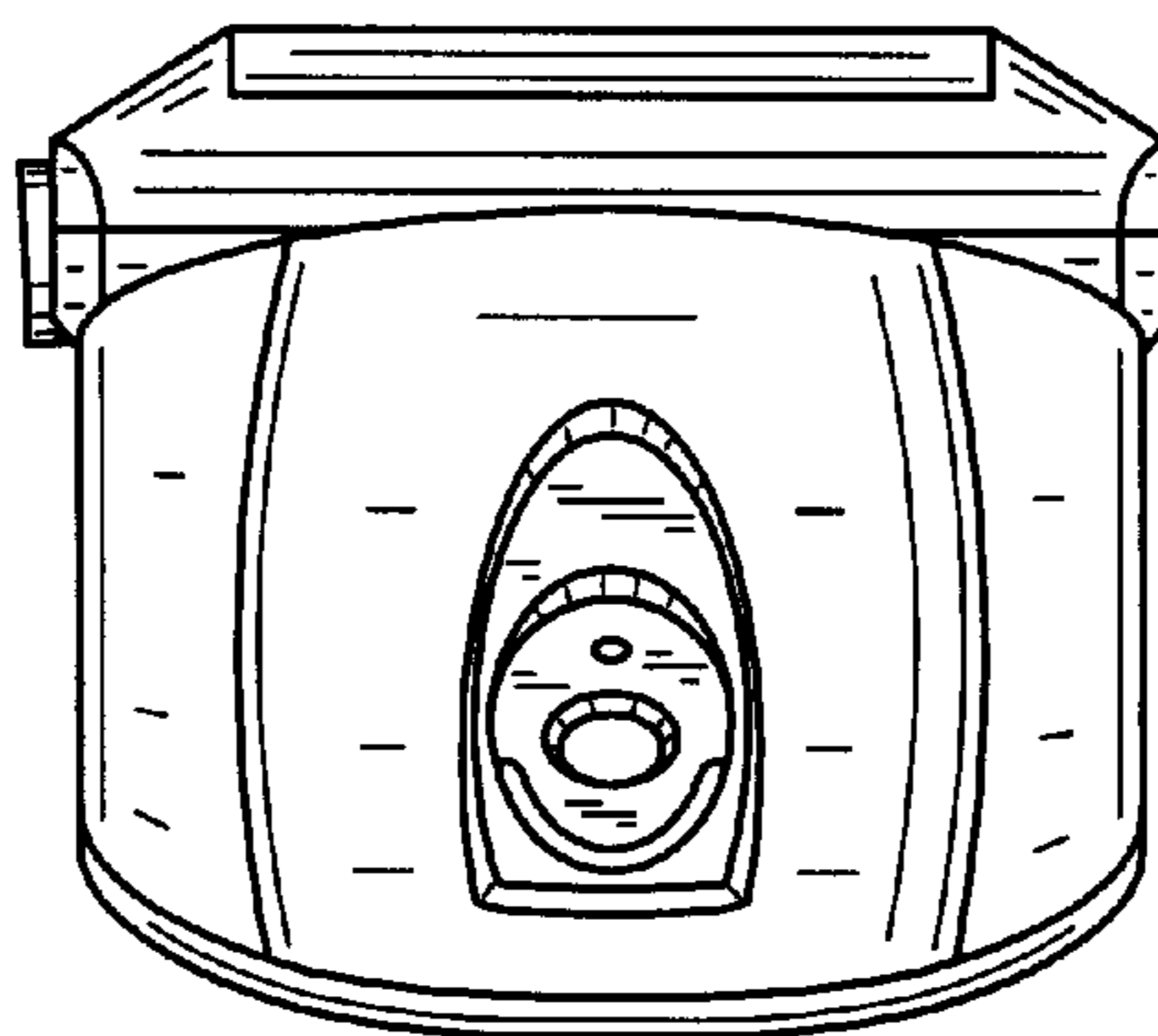


FIG. 6

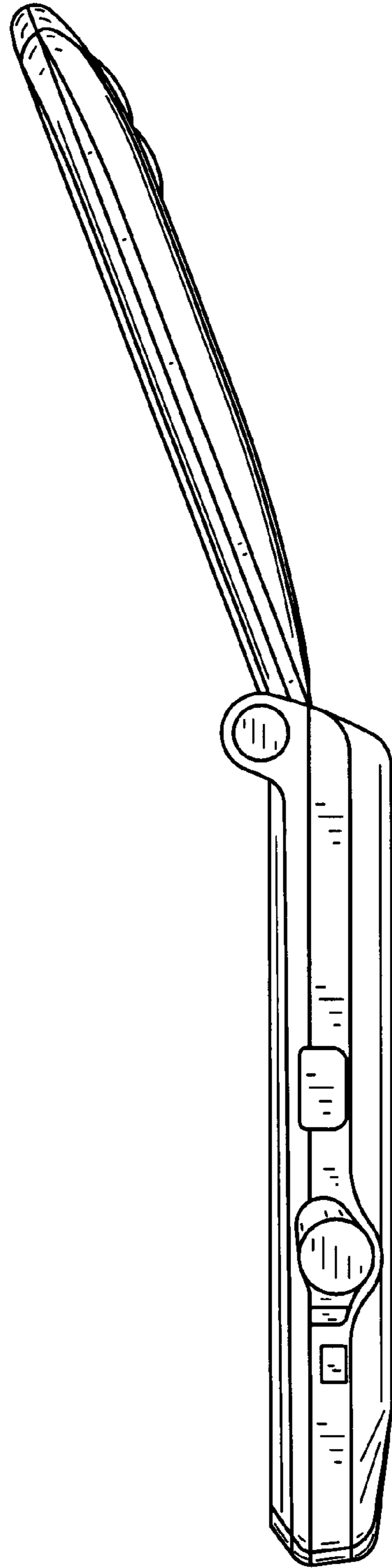


FIG. 7

