



US00D476627S

(12) **United States Design Patent**
Ushiro et al.

(10) **Patent No.:** **US D476,627 S**

(45) **Date of Patent:** **** Jul. 1, 2003**

(54) **SOCKET FOR CONNECTOR**

D442,144 S * 5/2001 Goto D13/147

(75) Inventors: **Yutaka Ushiro**, Yokohama (JP);
Katsuyuki Masaki, Yokohama (JP);
Yusuke Hamada, Yokohama (JP)

* cited by examiner

Primary Examiner—Joel Sincavage
(74) *Attorney, Agent, or Firm*—Armstrong, Westerman & Hattori, LLP

(73) Assignee: **J.S.T. Mfg. Co., Ltd.**, Osaka (JP)

(**) Term: **14 Years**

(57) **CLAIM**

The ornamental design for a socket for connector, as shown and described.

(21) Appl. No.: **29/160,979**

(22) Filed: **May 21, 2002**

DESCRIPTION

(30) **Foreign Application Priority Data**

Nov. 26, 2001 (JP) 2001-034603

FIG. 1 is a perspective view of a socket for connector showing our new design;

(51) **LOC (7) Cl.** **13-03**

FIG. 2 shows a front elevation view thereof;

(52) **U.S. Cl.** **D13/147**

FIG. 3 shows a rear elevation view thereof;

(58) **Field of Search** D13/146, 147;

FIG. 4 shows a top plan view thereof;

439/350, 353, 357, 489, 587, 595, 680,
752, 634, 686, 695, 701

FIG. 5 shows a bottom plan view thereof;

FIG. 6 shows a right side elevation view thereof;

FIG. 7 shows a section elevation view along line 7—7 in FIG. 4;

(56) **References Cited**

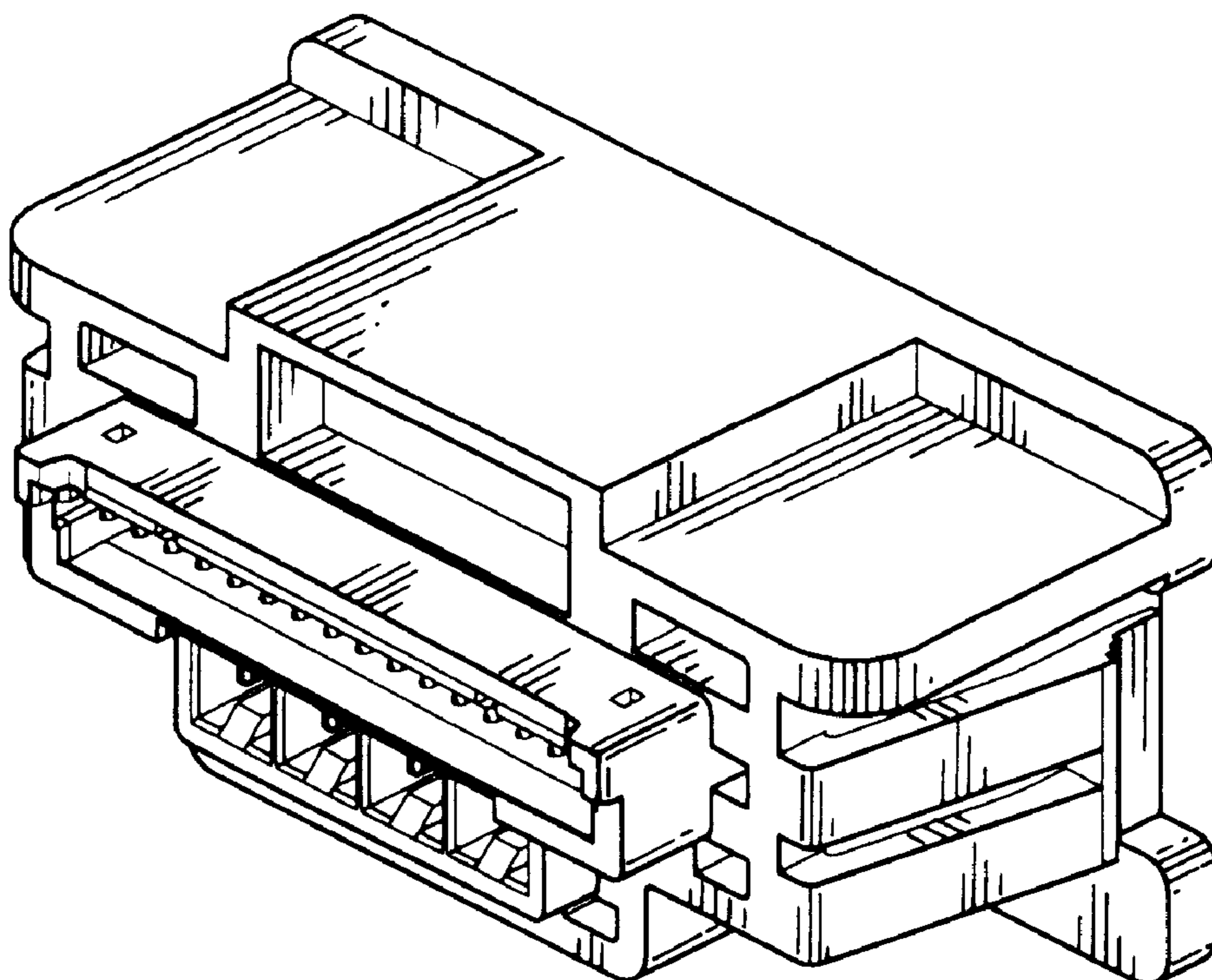
U.S. PATENT DOCUMENTS

- 5,391,090 A * 2/1995 Power 439/353 X
- D412,700 S * 8/1999 Gardner et al. D13/147
- D422,562 S * 4/2000 Huang D13/147
- 6,123,575 A * 9/2000 Huang et al. 439/489
- D435,245 S * 12/2000 Hwang D13/147

FIG. 8 shows a left side elevation view thereof; and,

FIG. 9 is a perspective view of a socket for connector showing the corresponding plug for connector for use. The broken lines in FIG. 9 are included for the purpose of illustrating environmental structure only and form no part of the claim design.

1 Claim, 5 Drawing Sheets



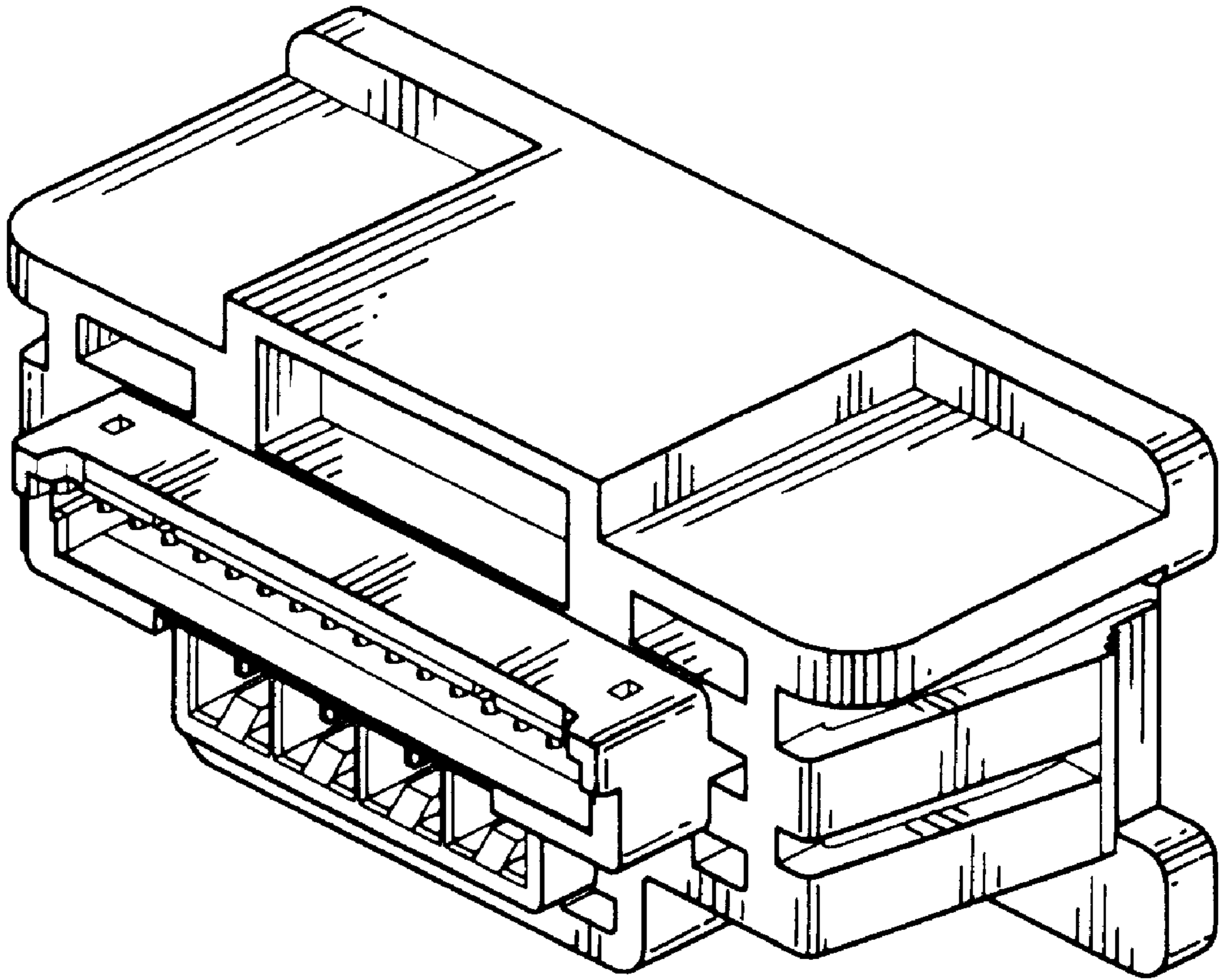


FIG. 1

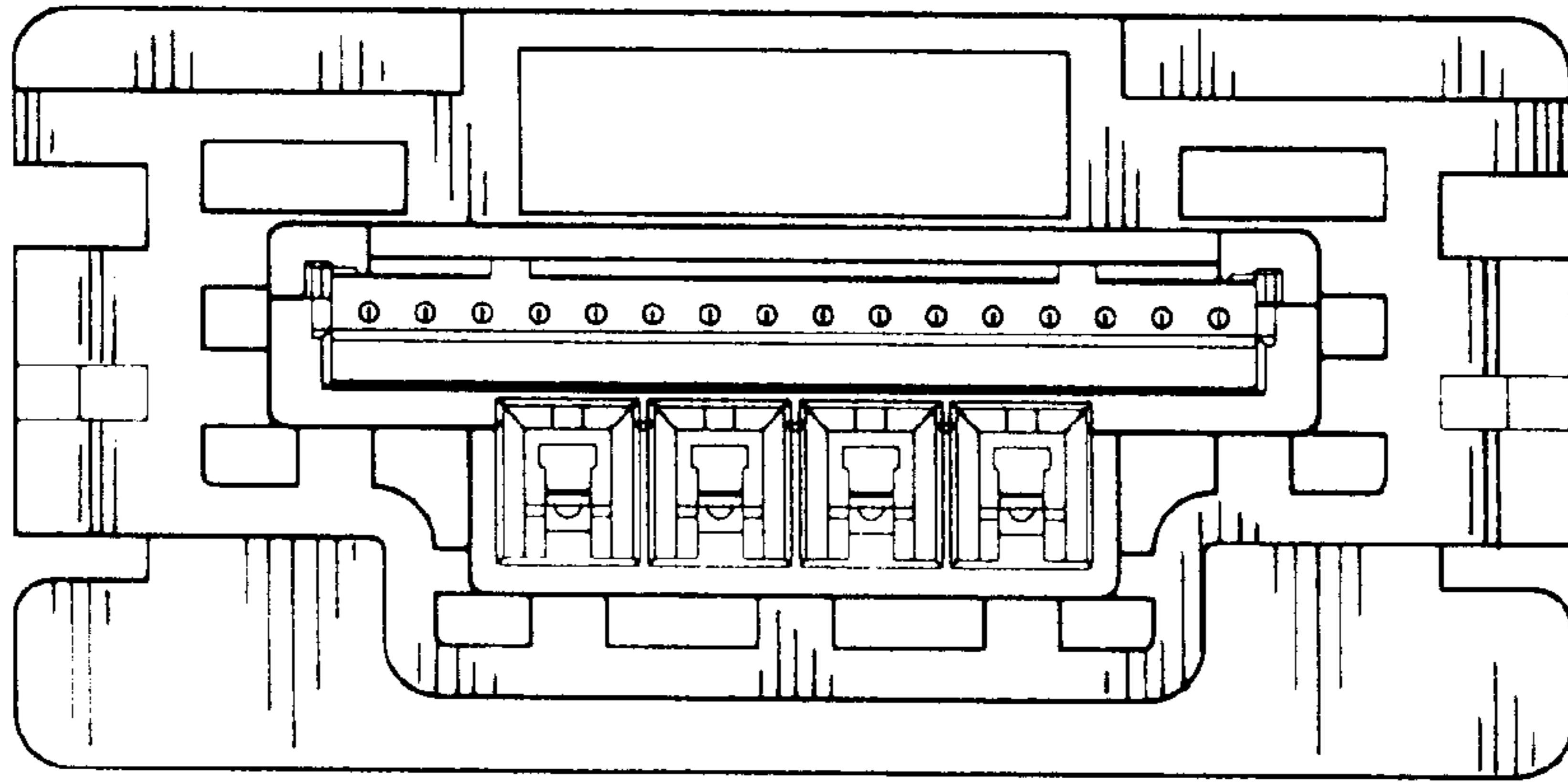


FIG. 2

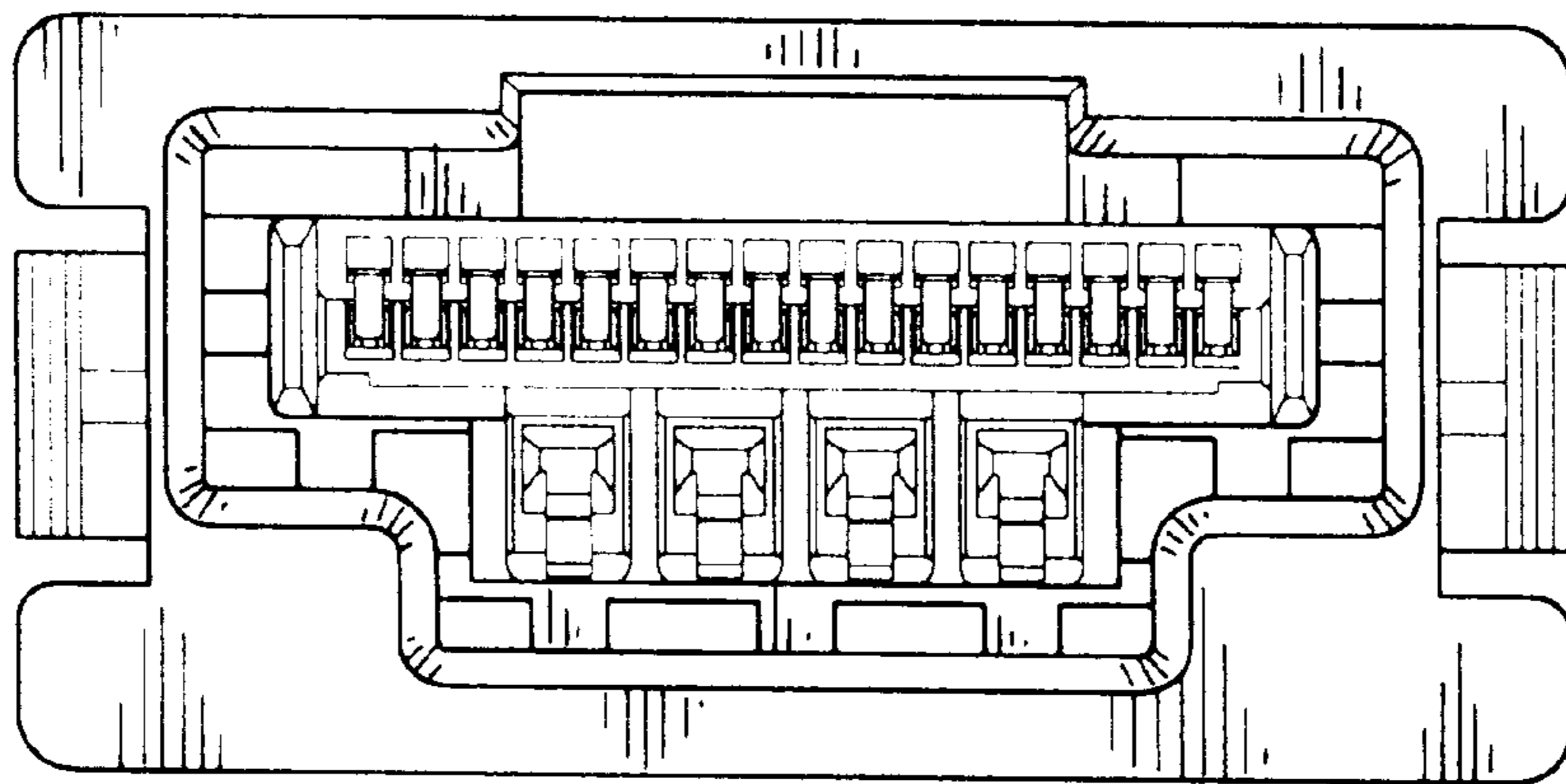


FIG. 3

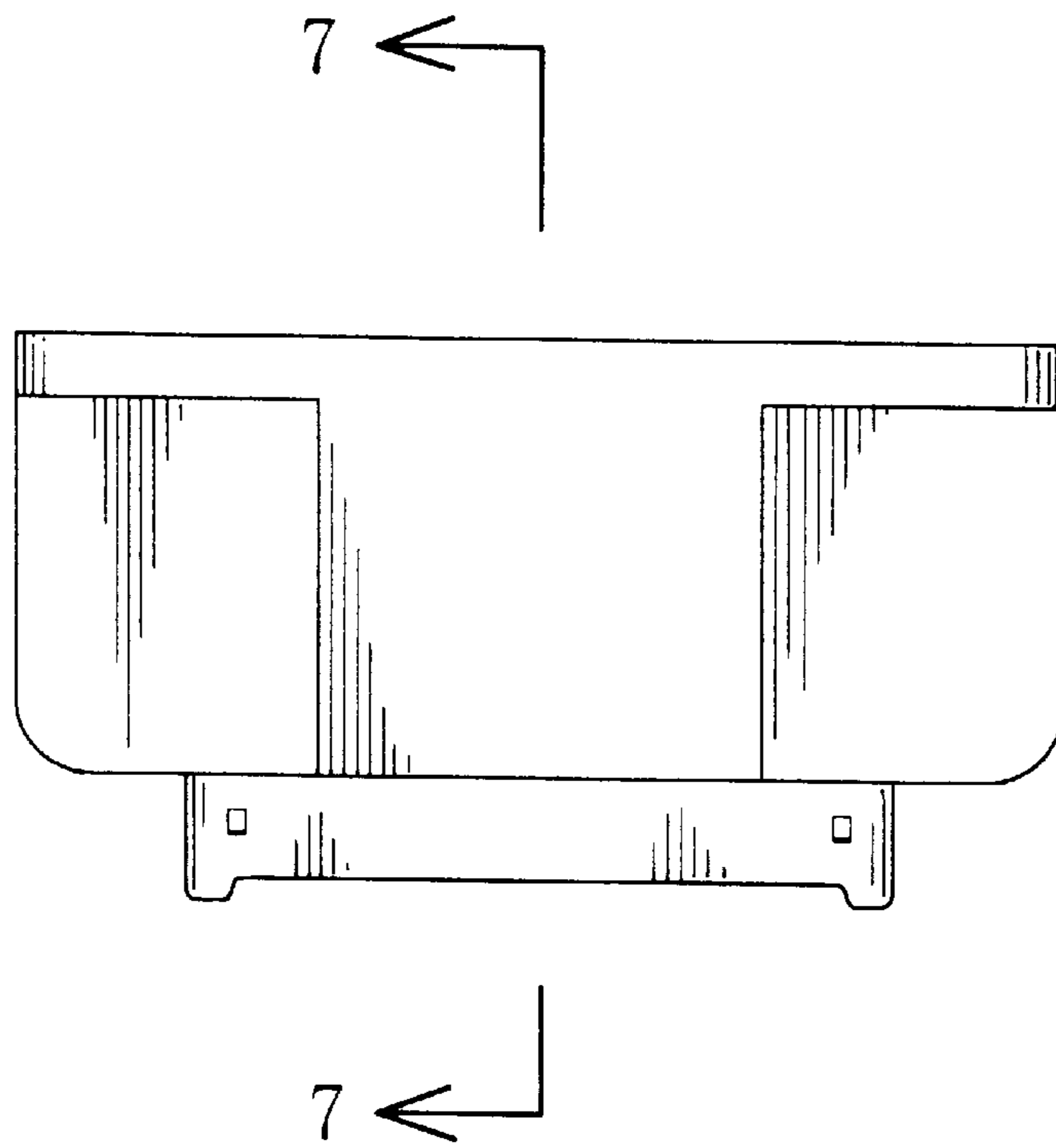


FIG. 4

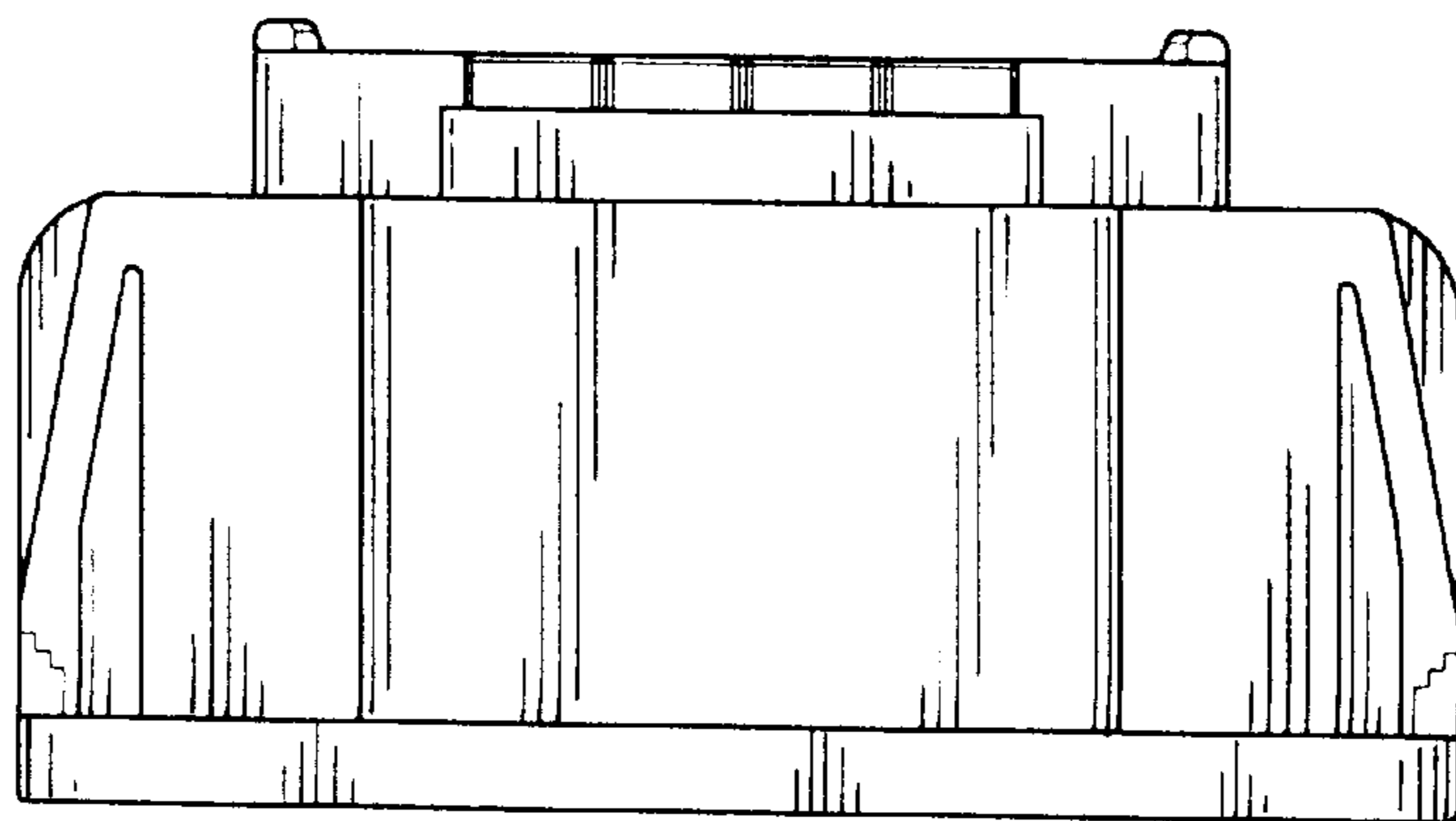


FIG. 5

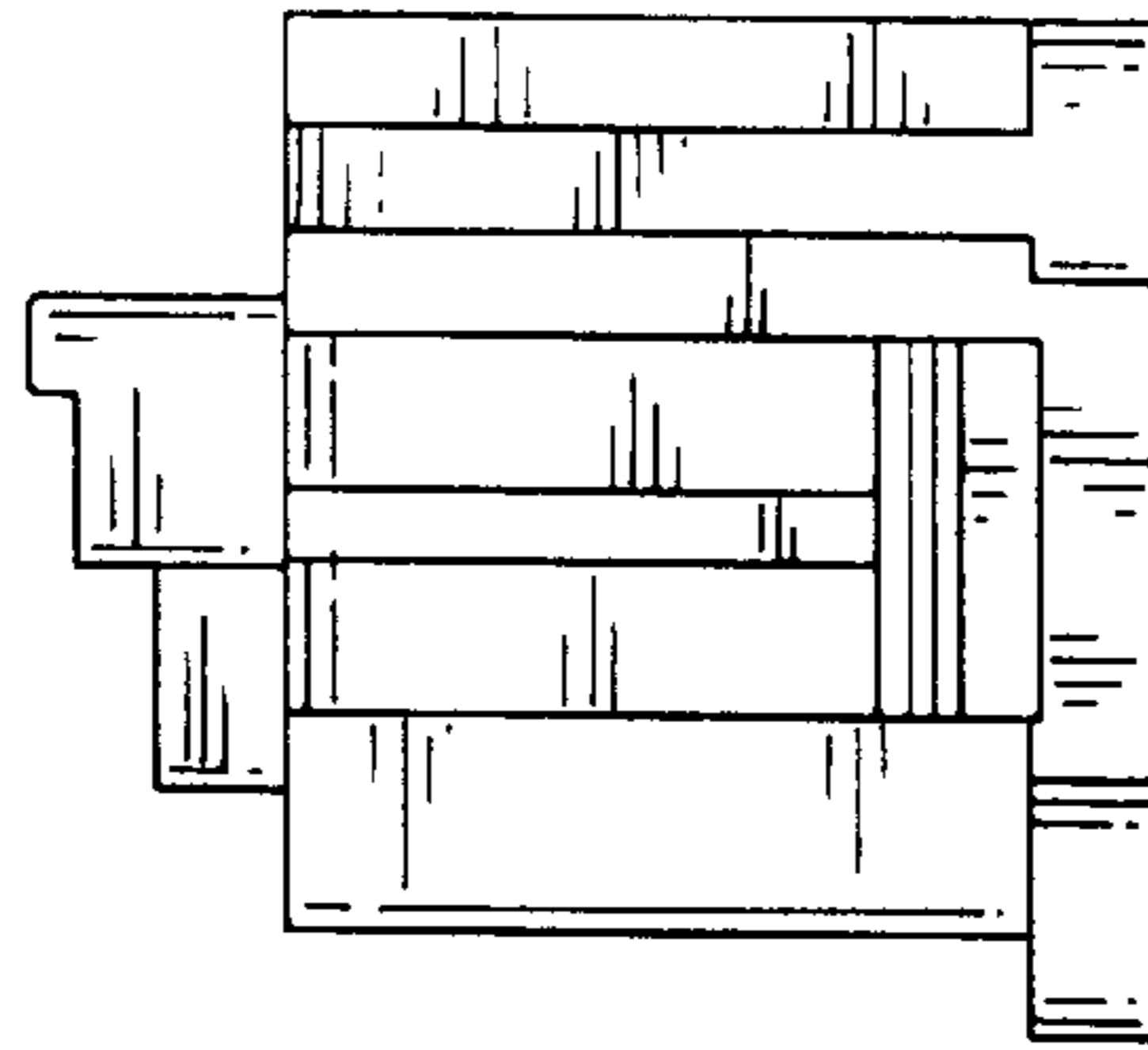


FIG. 6

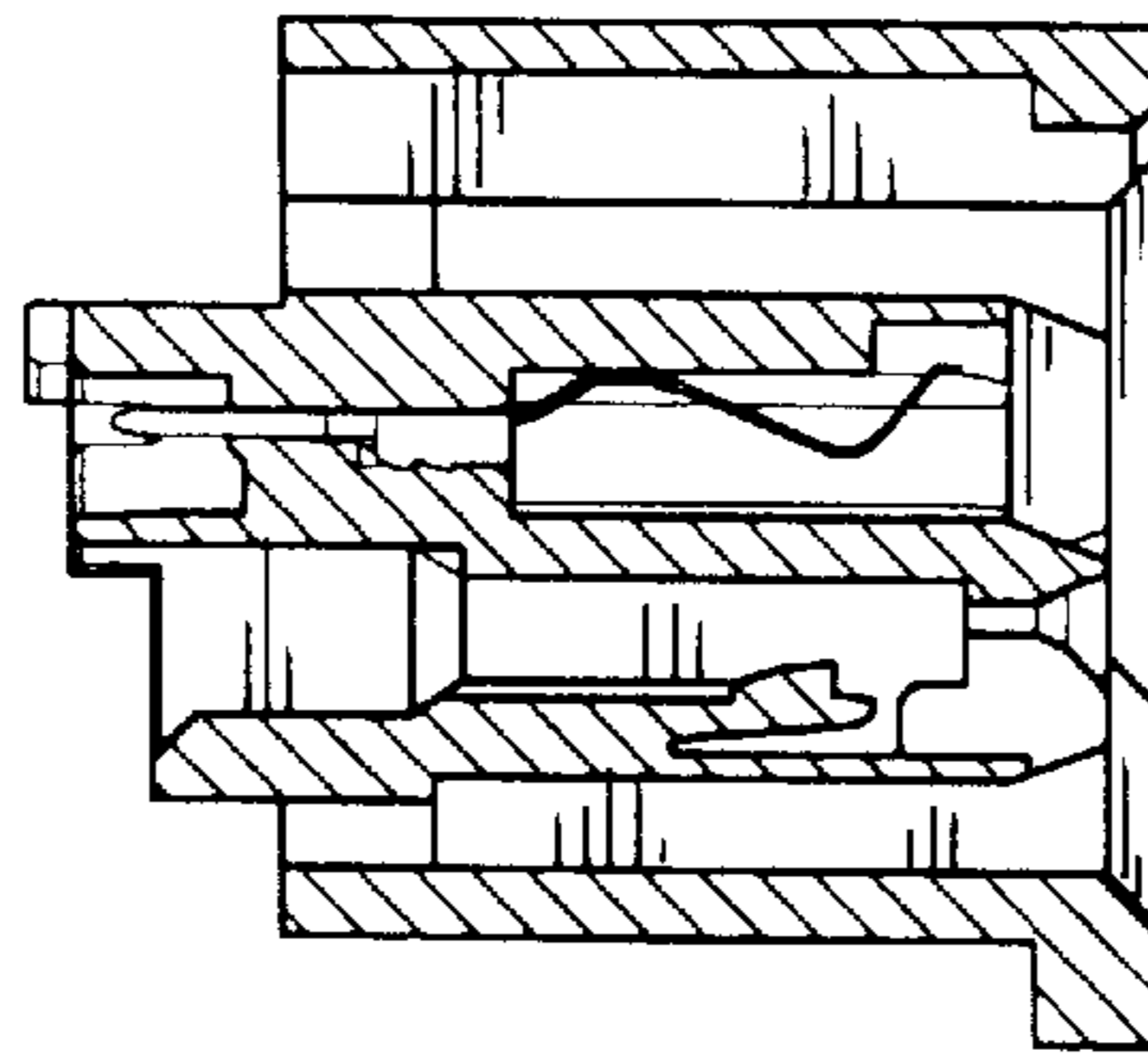


FIG. 7

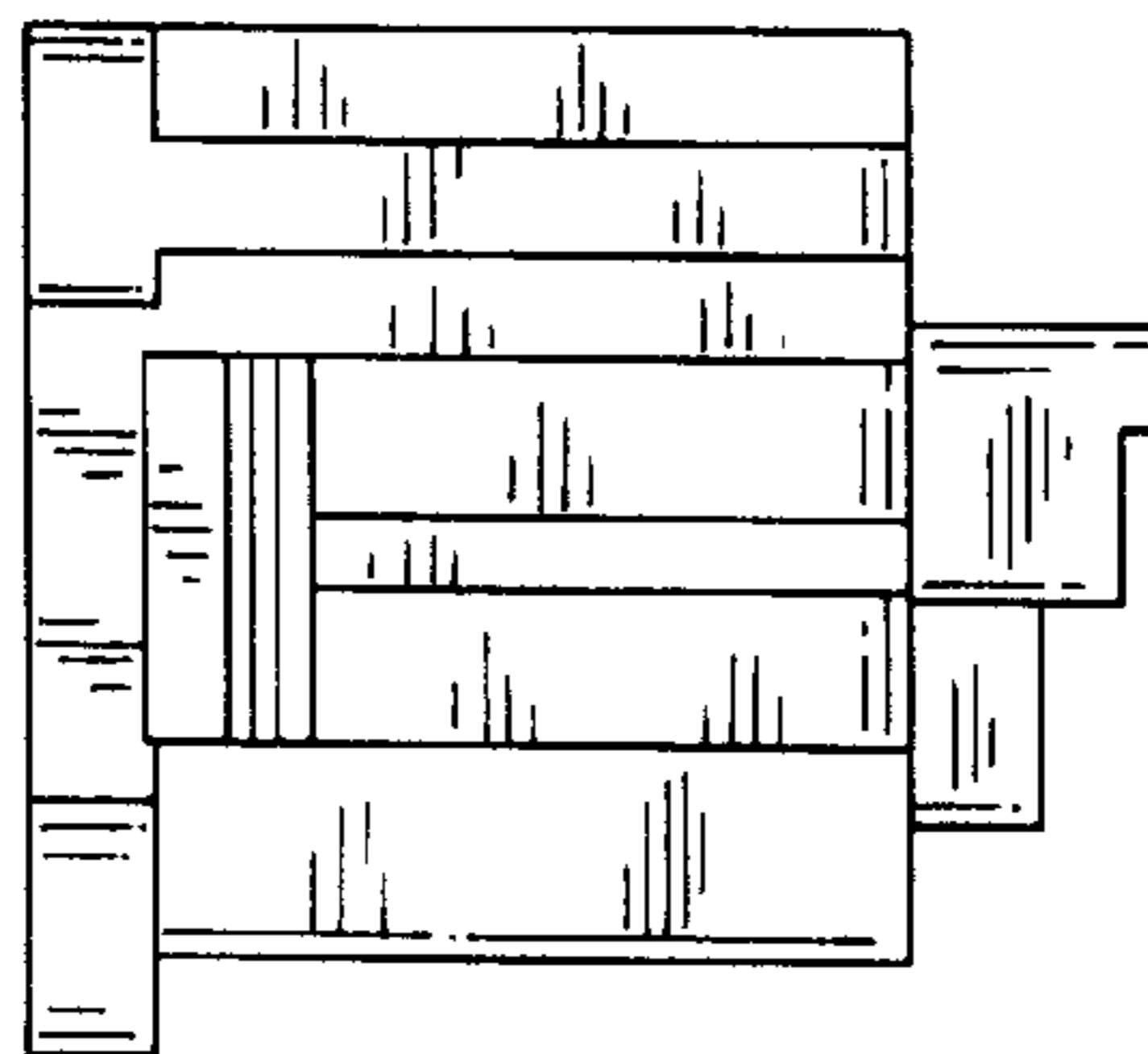


FIG. 8

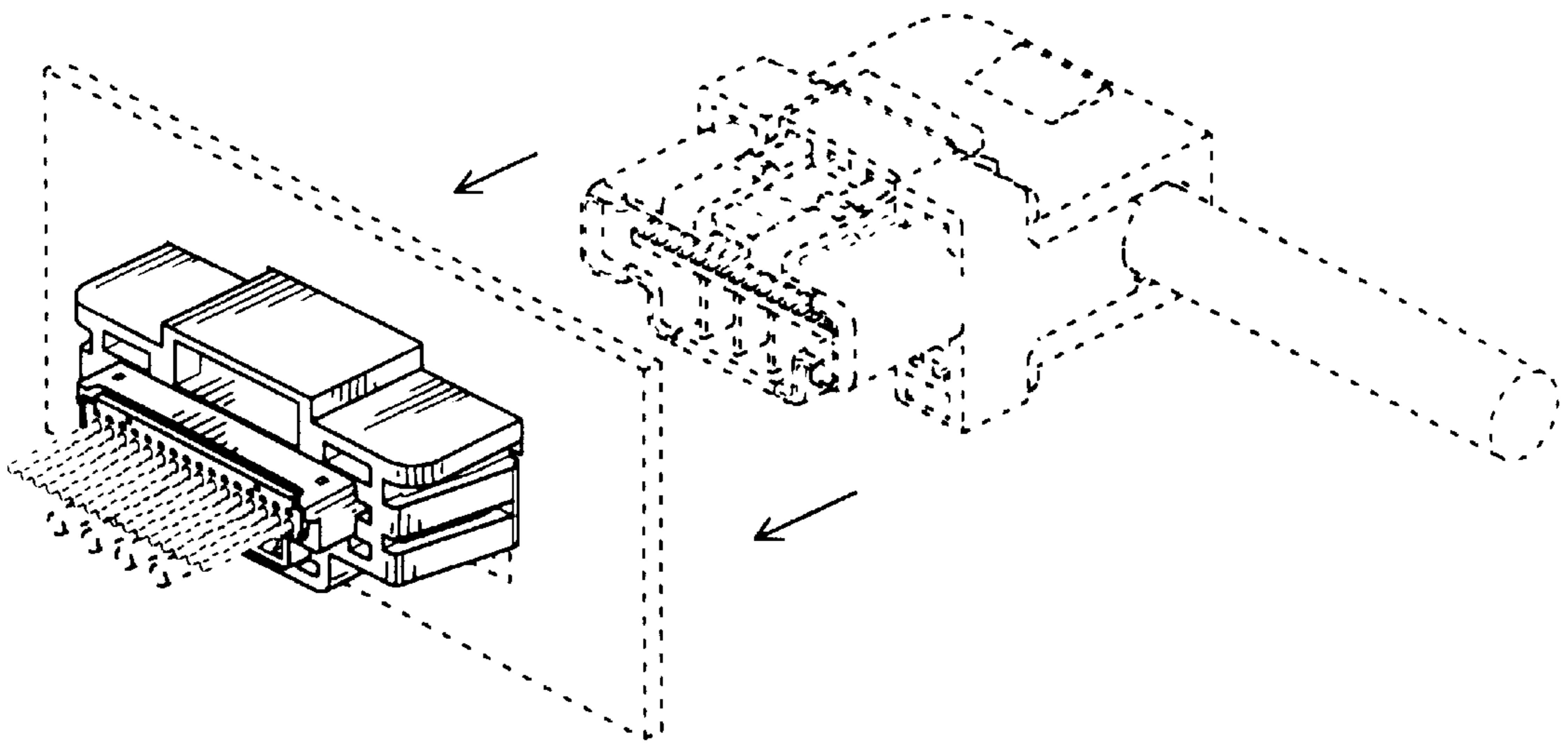


FIG. 9