



US00D476621S

(12) **United States Design Patent**  
**Chunn et al.**

(10) **Patent No.:** **US D476,621 S**

(45) **Date of Patent:** **\*\* Jul. 1, 2003**

(54) **RADIO CHARGER**

6,456,837 B1 \* 9/2002 Domes ..... 455/344

(75) Inventors: **Daniel Alex Chunn**, Kowloon (HK);  
**David Wai Wah Ng**, Yuen Long (HK);  
**Charles Keith Long**, Seneca, SC (US)

\* cited by examiner

*Primary Examiner*—Joel Sincavage

(74) *Attorney, Agent, or Firm*—Andrew Y. Pang; Nexsen  
Pruet Jacobs & Pollard, LLC

(73) Assignee: **One World Technologies Limited**,  
Hamilton (BM)

(57) **CLAIM**

(\*\*) Term: **14 Years**

The ornamental design for a radio charger, as shown and  
described.

(21) Appl. No.: **29/161,169**

**DESCRIPTION**

(22) Filed: **May 23, 2002**

(51) **LOC (7) Cl.** ..... **13-02**

(52) **U.S. Cl.** ..... **D13/108**

(58) **Field of Search** ..... D13/107, 108,  
D13/110; D14/137, 168, 169; 320/107,  
110-115, 104, 105; 455/344, 351

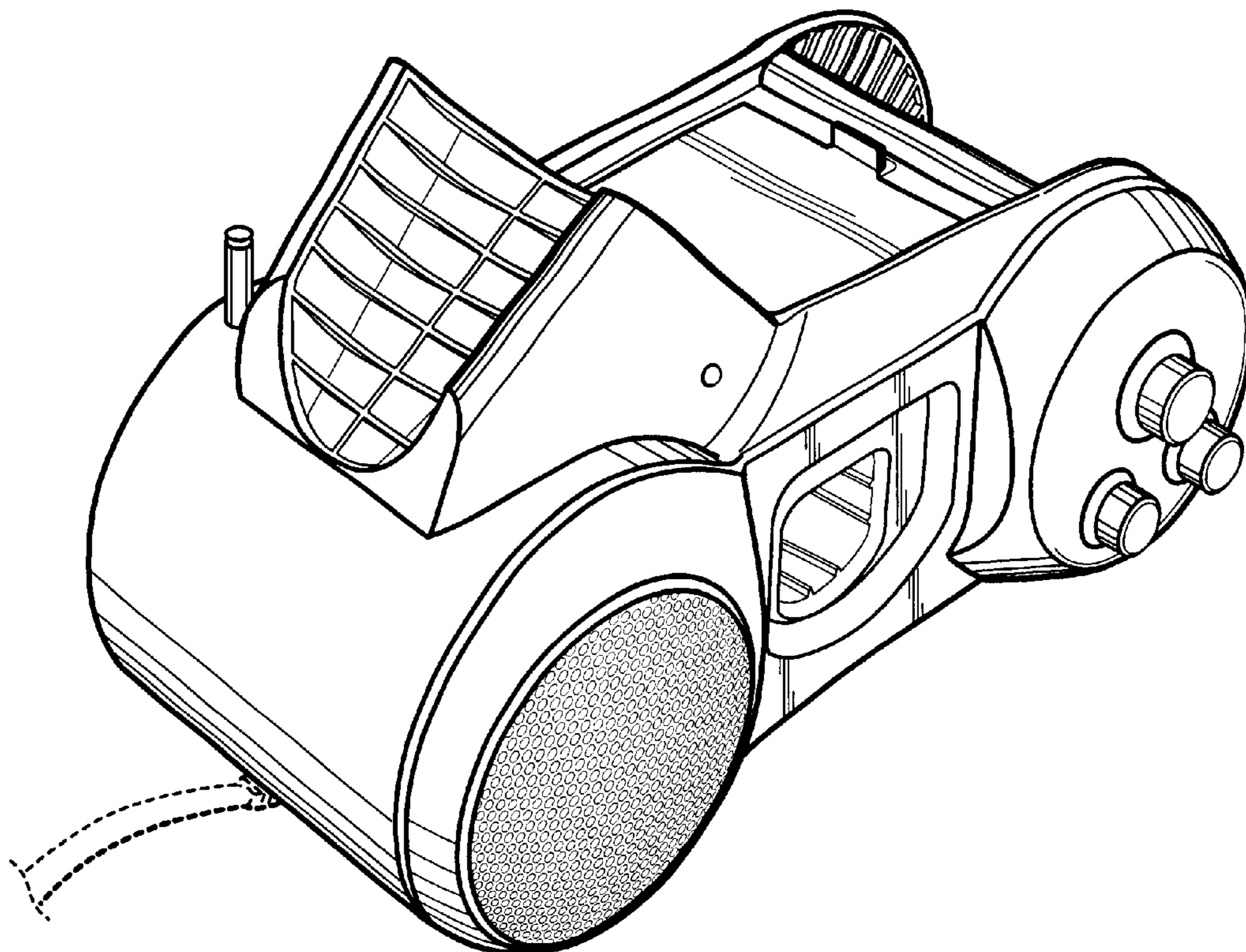
FIG. 1 is a front perspective view of the radio charger of the  
present invention;  
FIG. 2 is a rear perspective view;  
FIG. 3 is a front view;  
FIG. 4 is a rear view;  
FIG. 5 is a top view;  
FIG. 6 is a bottom view;  
FIG. 7 is a left side view;  
FIG. 8 is a right side view; and,  
FIG. 9 is a front perspective view in an alternative position.  
The broken lines illustrating the hand drill in FIG. 3 are  
included for the purpose of illustrating environmental struc-  
ture only and form no part of the claimed design. All other  
broken lines in the drawing figures are included for the  
purpose of illustrating portions of the charger that form no  
part of the claimed design.

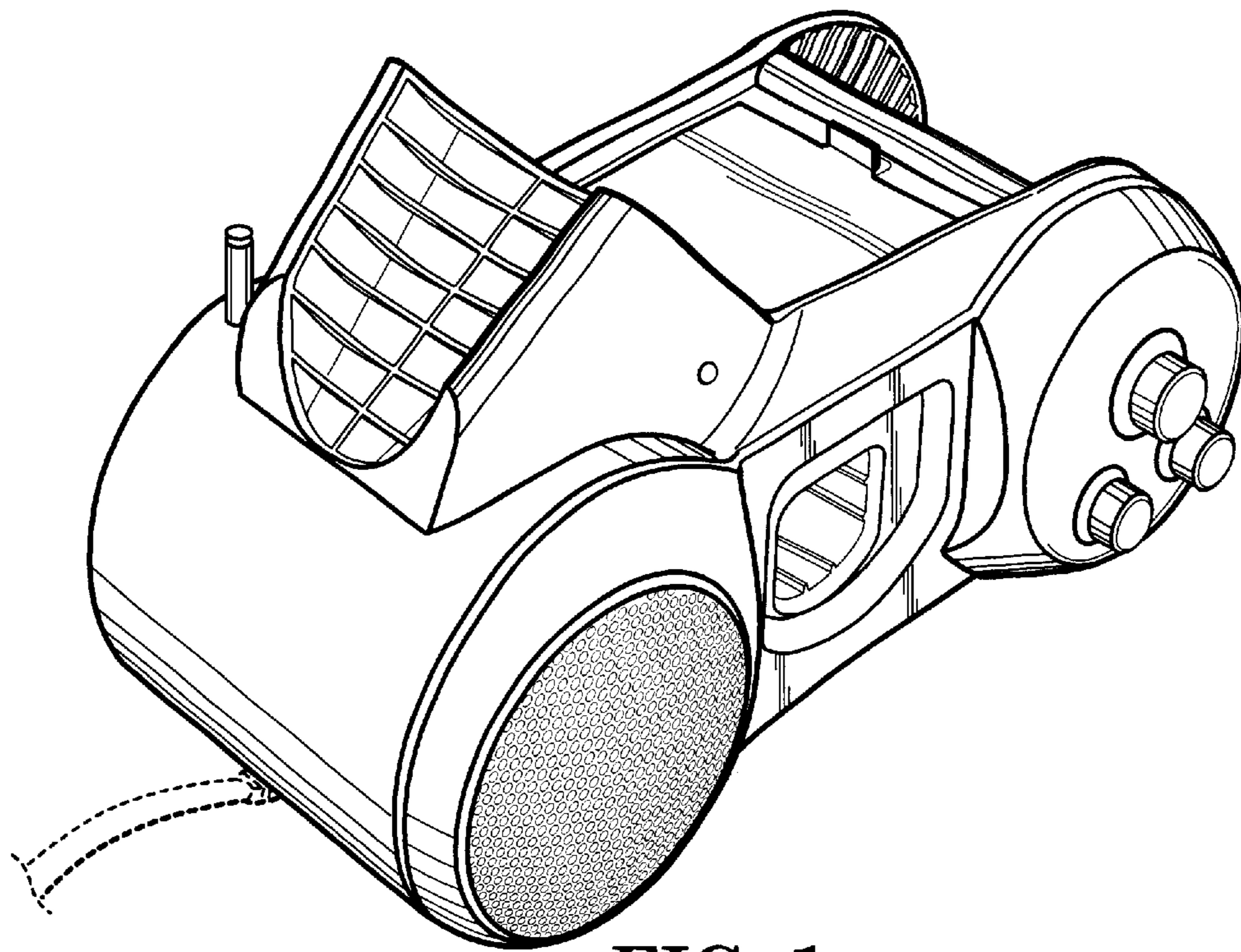
(56) **References Cited**

**U.S. PATENT DOCUMENTS**

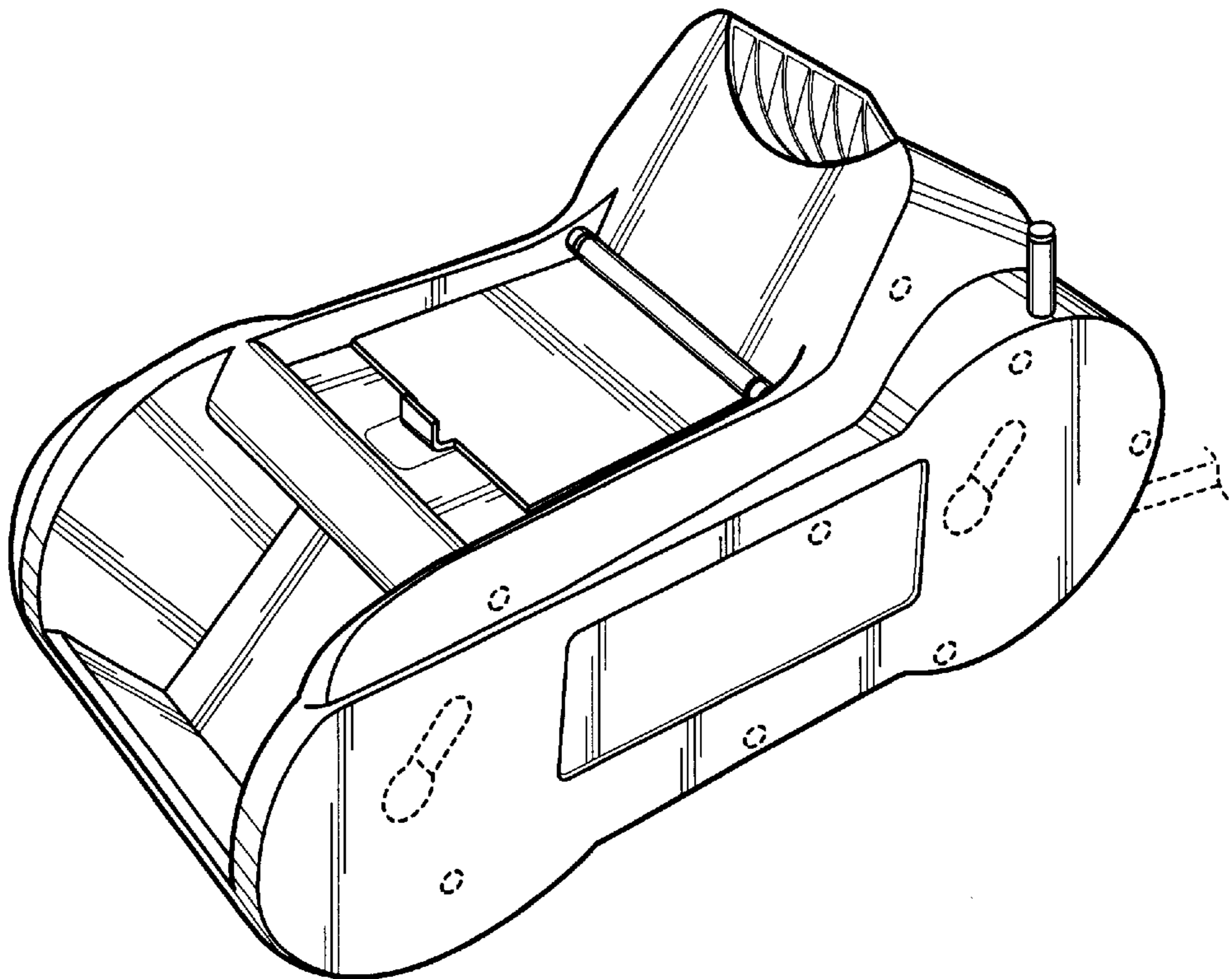
- 4,571,740 A \* 2/1986 Kirby et al. .... 455/344
- D348,461 S \* 7/1994 Peersmann ..... D14/196 X
- 5,810,168 A \* 9/1998 Eggering ..... 455/344 X
- D418,836 S \* 1/2000 Matt et al. .... D14/196
- 6,014,011 A \* 1/2000 DeFilice ..... 455/244
- 6,215,276 B1 \* 4/2001 Smith ..... 320/112 X
- D444,451 S \* 7/2001 Bailey ..... D14/168 X
- 6,427,070 B1 \* 7/2002 Smith ..... 455/344 X

**1 Claim, 5 Drawing Sheets**

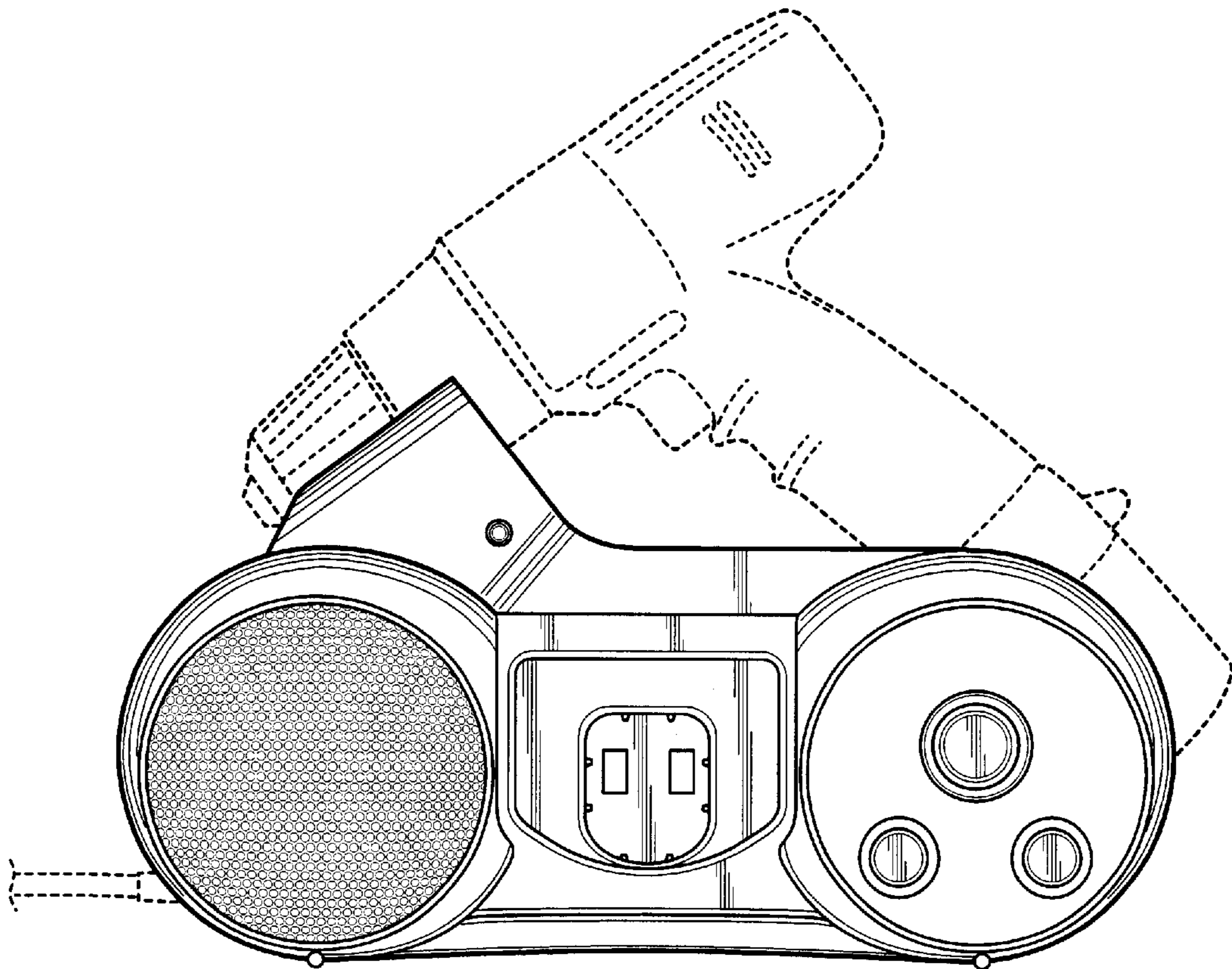




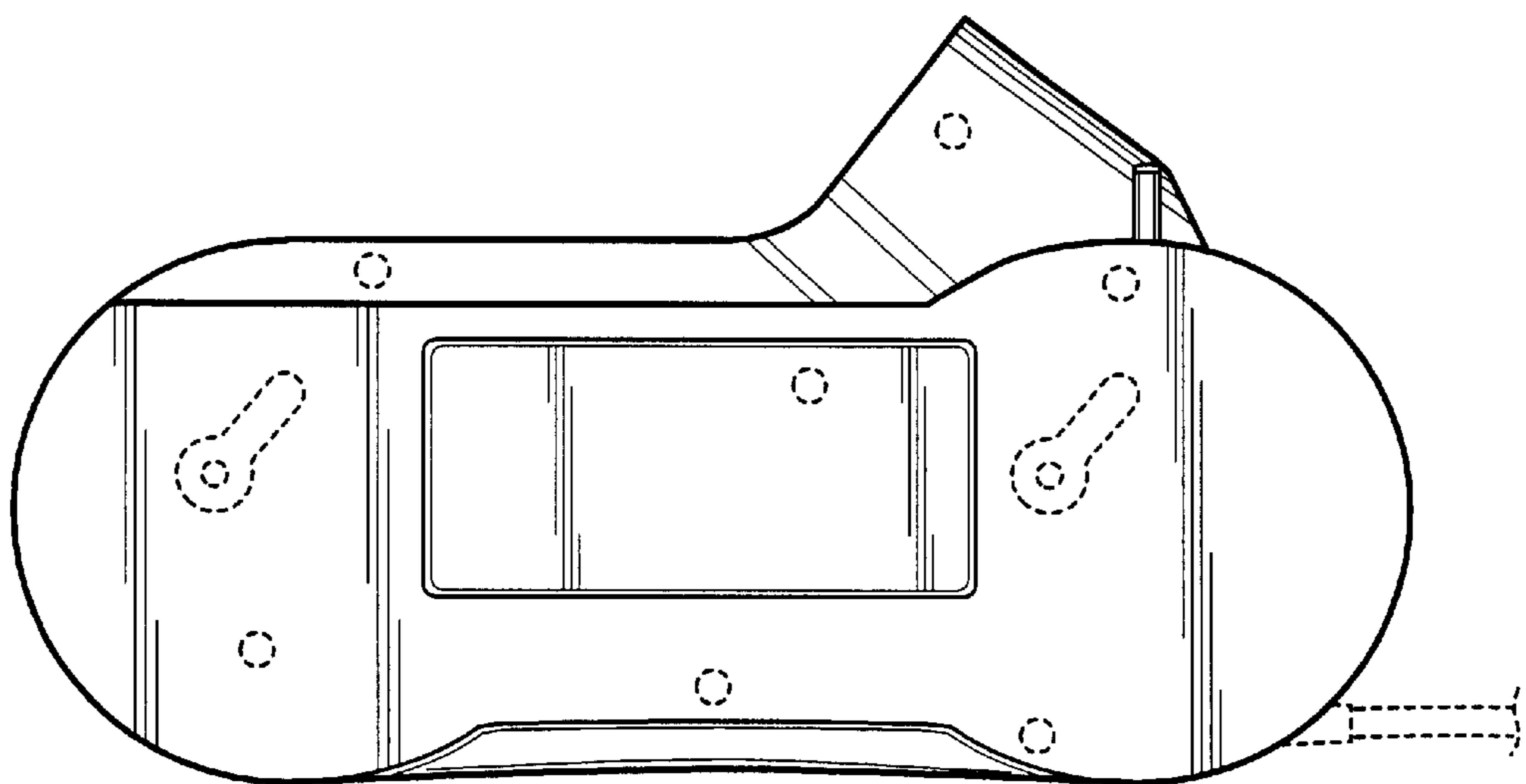
**FIG. 1**



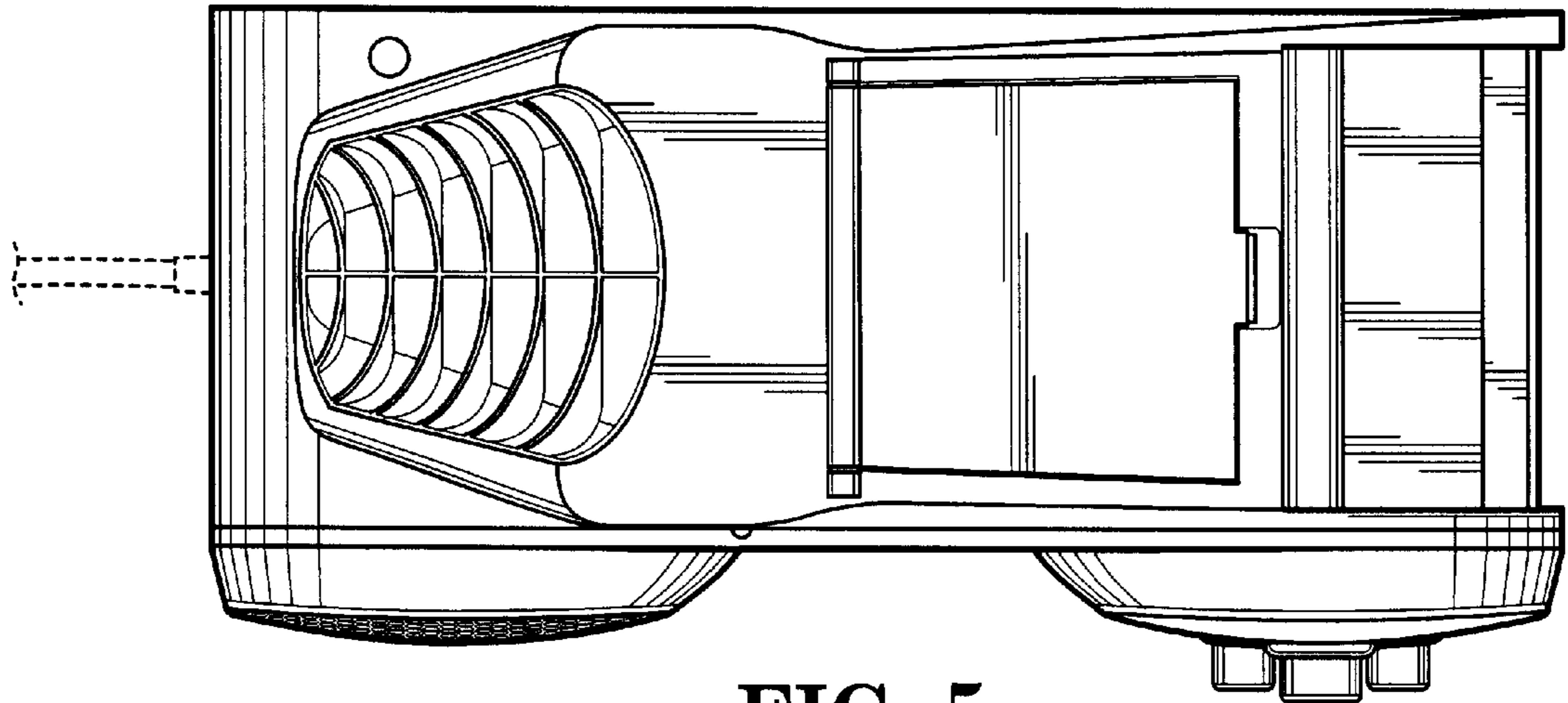
**FIG. 2**



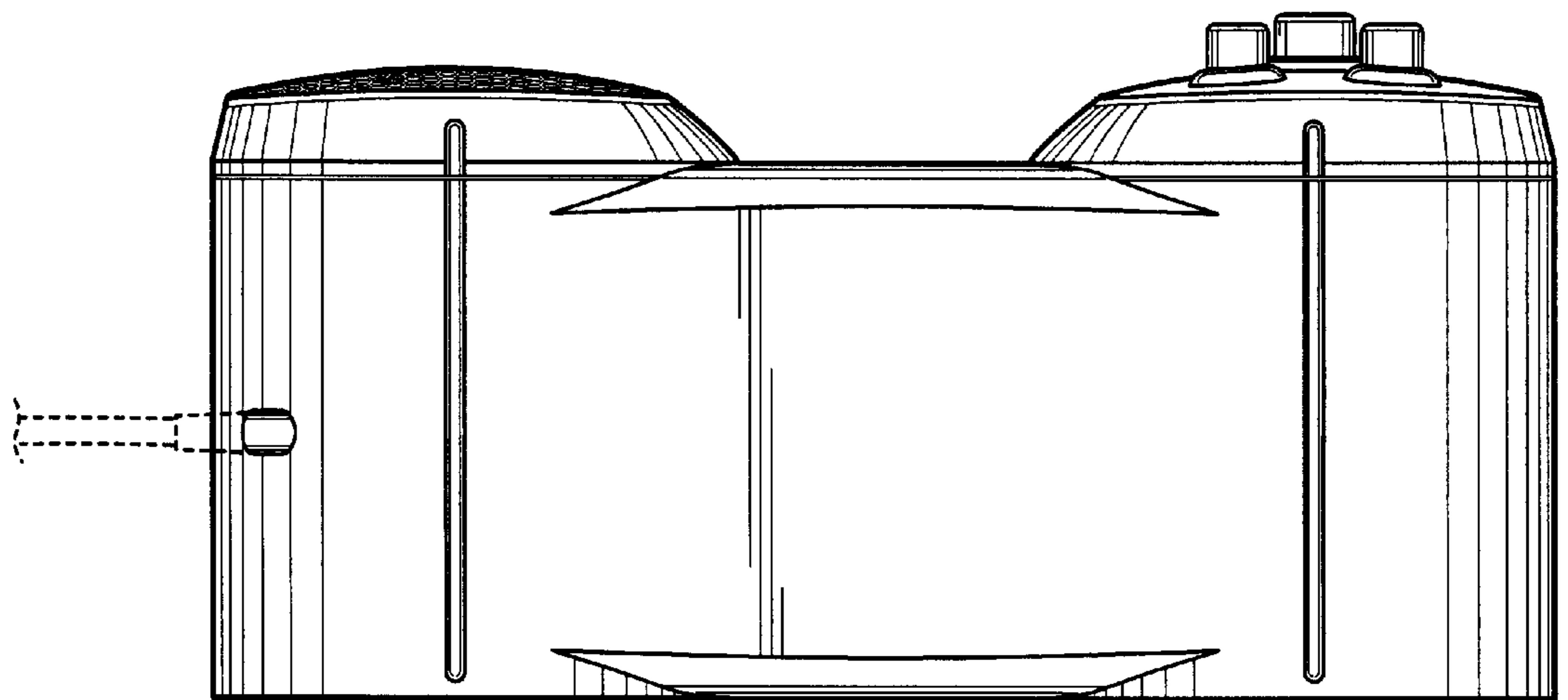
**FIG. 3**



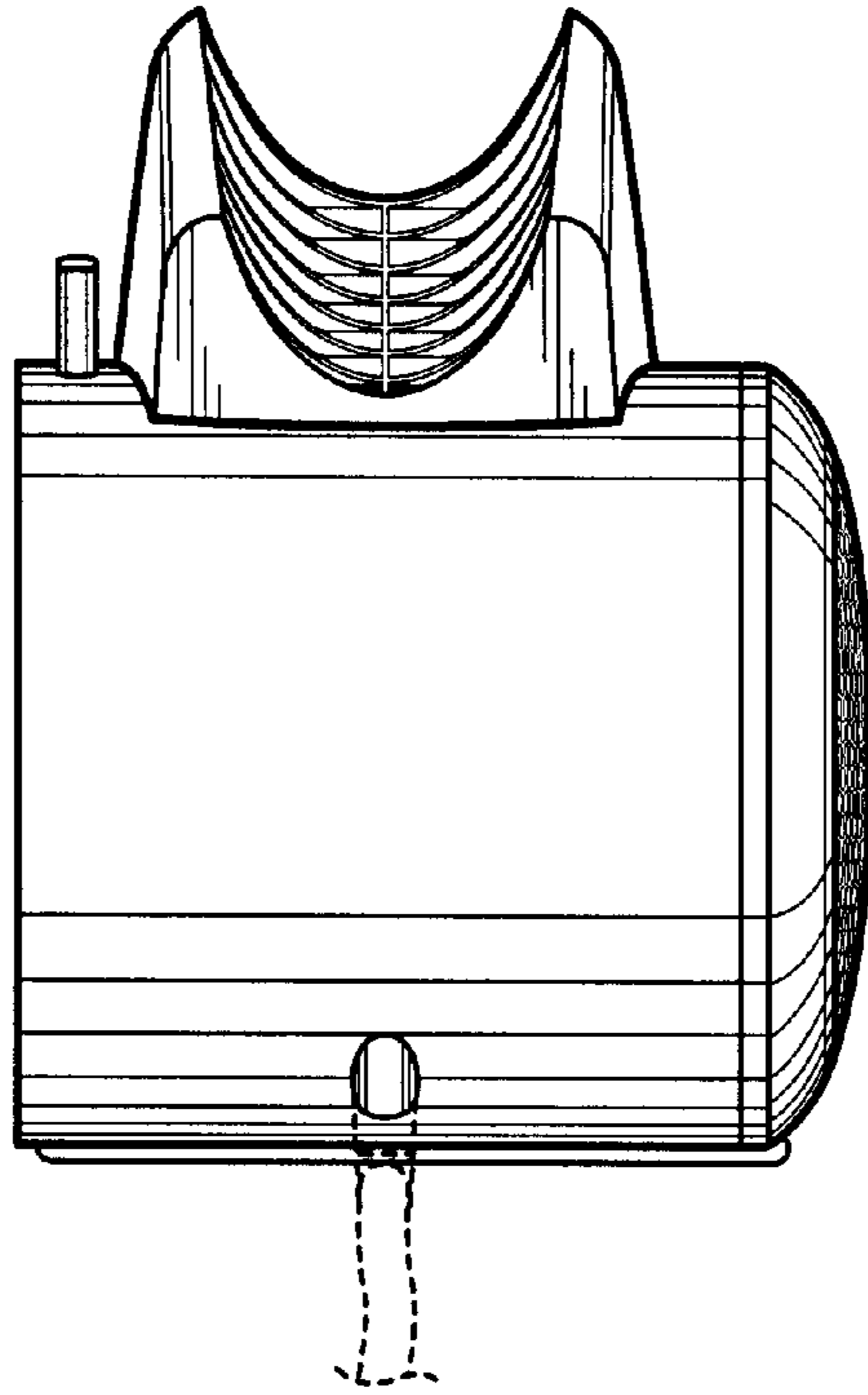
**FIG. 4**



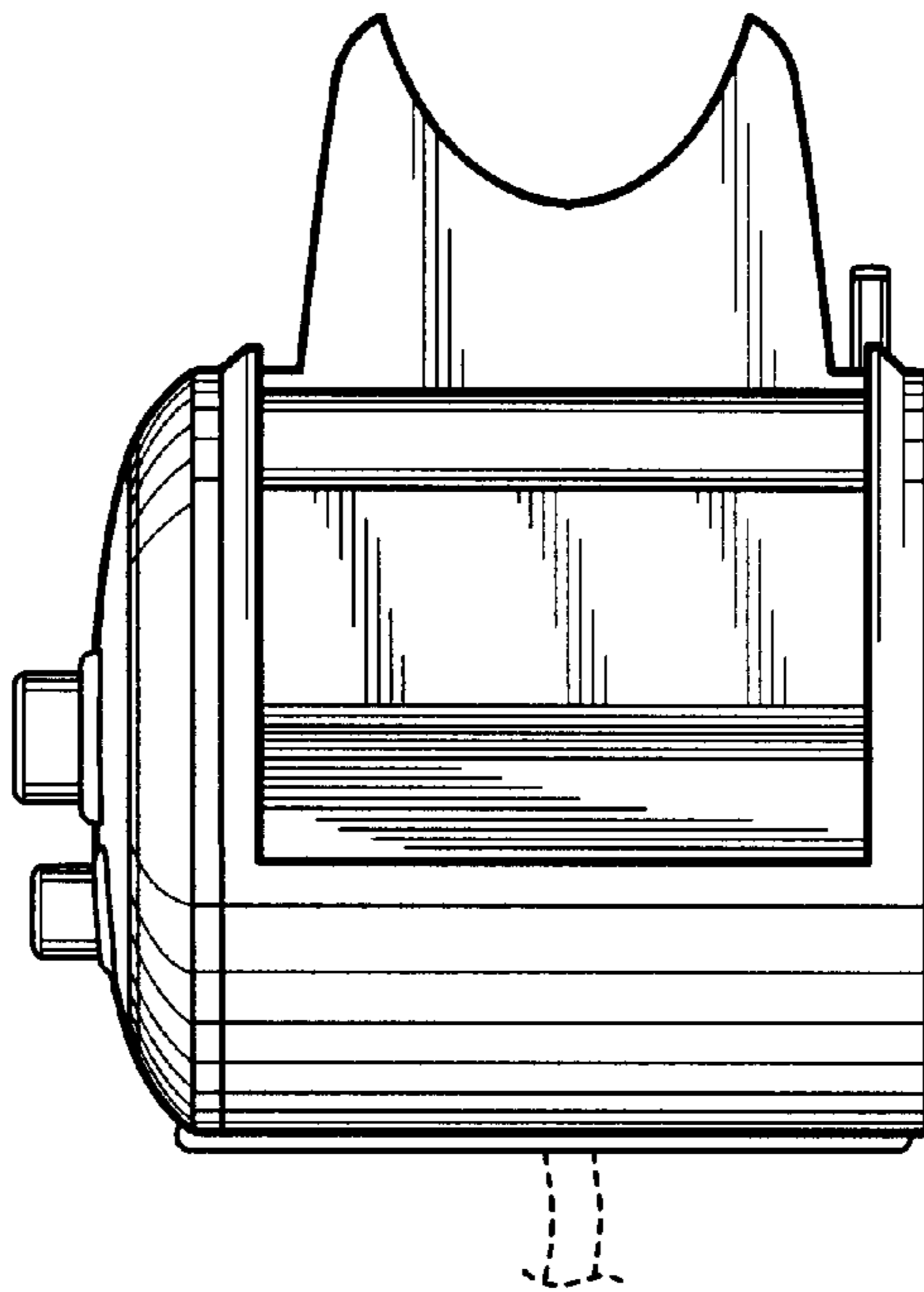
**FIG. 5**



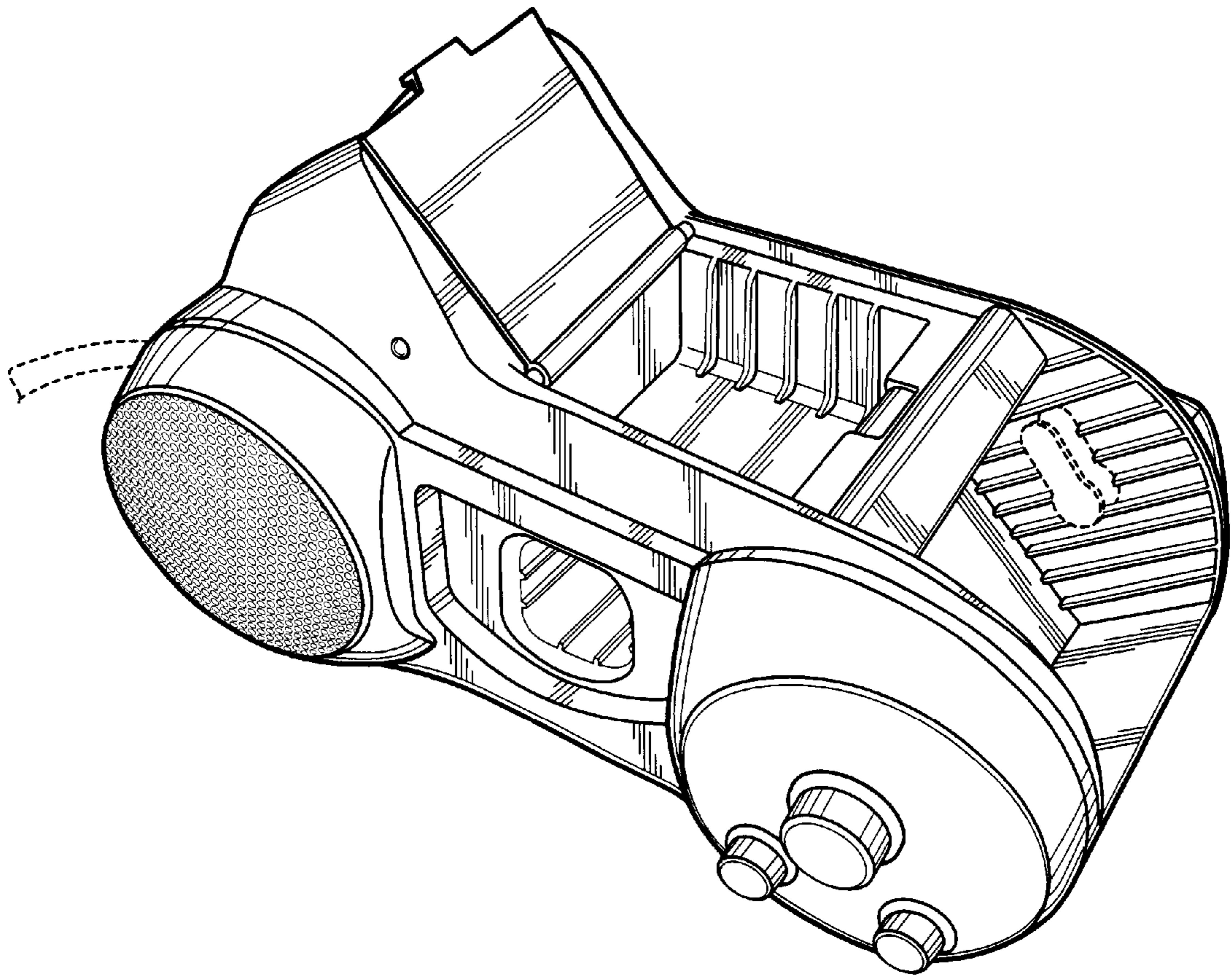
**FIG. 6**



**FIG. 7**



**FIG. 8**



**FIG. 9**