



US00D476613S

(12) **United States Design Patent**
Bills et al.

(10) **Patent No.:** **US D476,613 S**

(45) **Date of Patent:** **** Jul. 1, 2003**

(54) **WATERCRAFT SPLASH GUARD**

(75) Inventors: **Ron Alan Bills**, Maple Plain, MN (US);
Robert Brady, Sarasota, FL (US);
John Thompson, Spirit Lake, IA (US)

(73) Assignee: **Polaris Industries Inc.**, Medina, MN (US)

(**) Term: **14 Years**

(21) Appl. No.: **29/166,919**

(22) Filed: **Sep. 5, 2002**

(51) **LOC (7) Cl.** **12-06**

(52) **U.S. Cl.** **D12/317**

(58) **Field of Search** D12/317, 307;
114/343, 271

(56) **References Cited**

U.S. PATENT DOCUMENTS

4,875,882 A * 10/1989 Plitt et al. 440/66
6,085,685 A * 7/2000 Morishige 114/343

* cited by examiner

Primary Examiner—Holly Baynham

(74) *Attorney, Agent, or Firm*—Fredrikson & Byron, P.A.

(57) **CLAIM**

We claim the ornamental design for the watercraft splash guard, as shown and described.

DESCRIPTION

FIG. 1 is a front view of the watercraft splash guard of our design shown in its ordinary environment, mounted on a watercraft;

FIG. 2 is a front view of the watercraft splash guard of our design;

FIG. 3 is a rear view thereof;

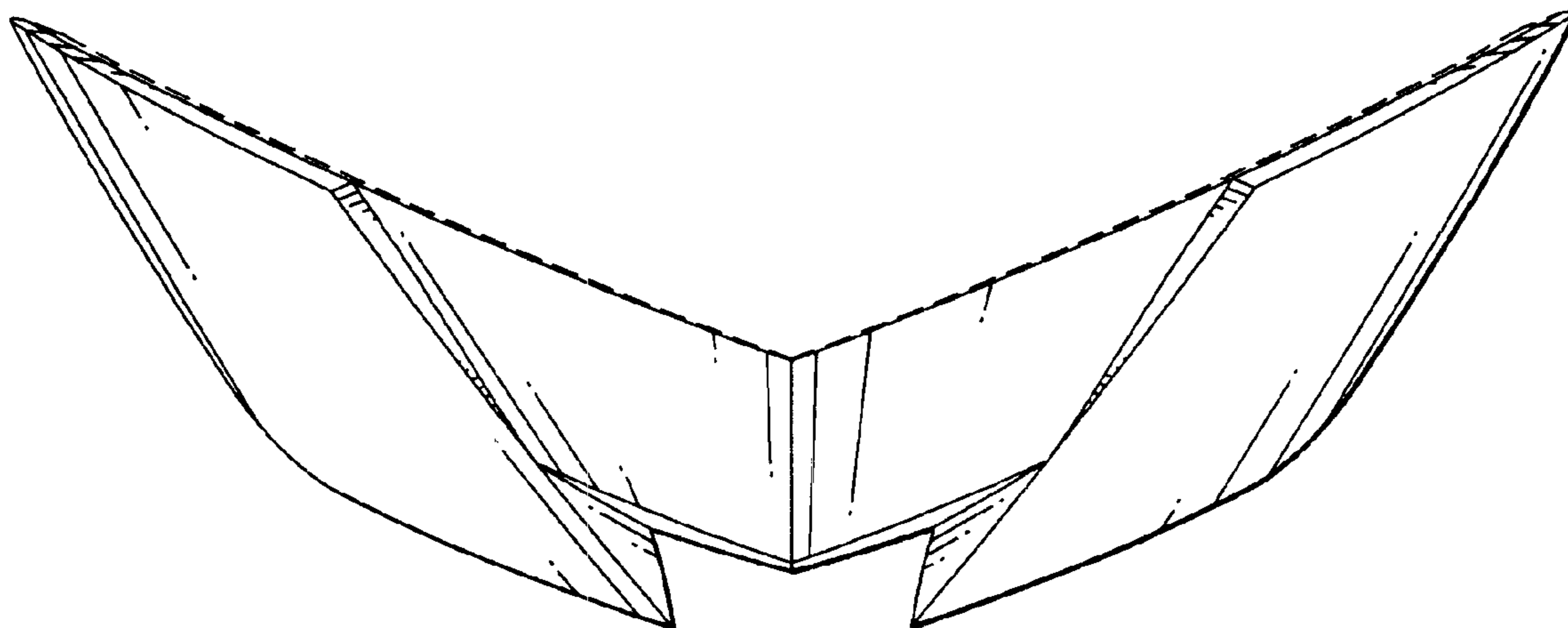
FIG. 4 is a side view thereof, the opposite side being a mirror image;

FIG. 5 is a top view thereof; and,

FIG. 6 is a bottom view thereof.

Where included, broken lines showing environment or structure are for illustrative purposes only and form no part of the claimed design. The watercraft splash guard in FIG. 1 is shown on a reduced scale.

1 Claim, 3 Drawing Sheets



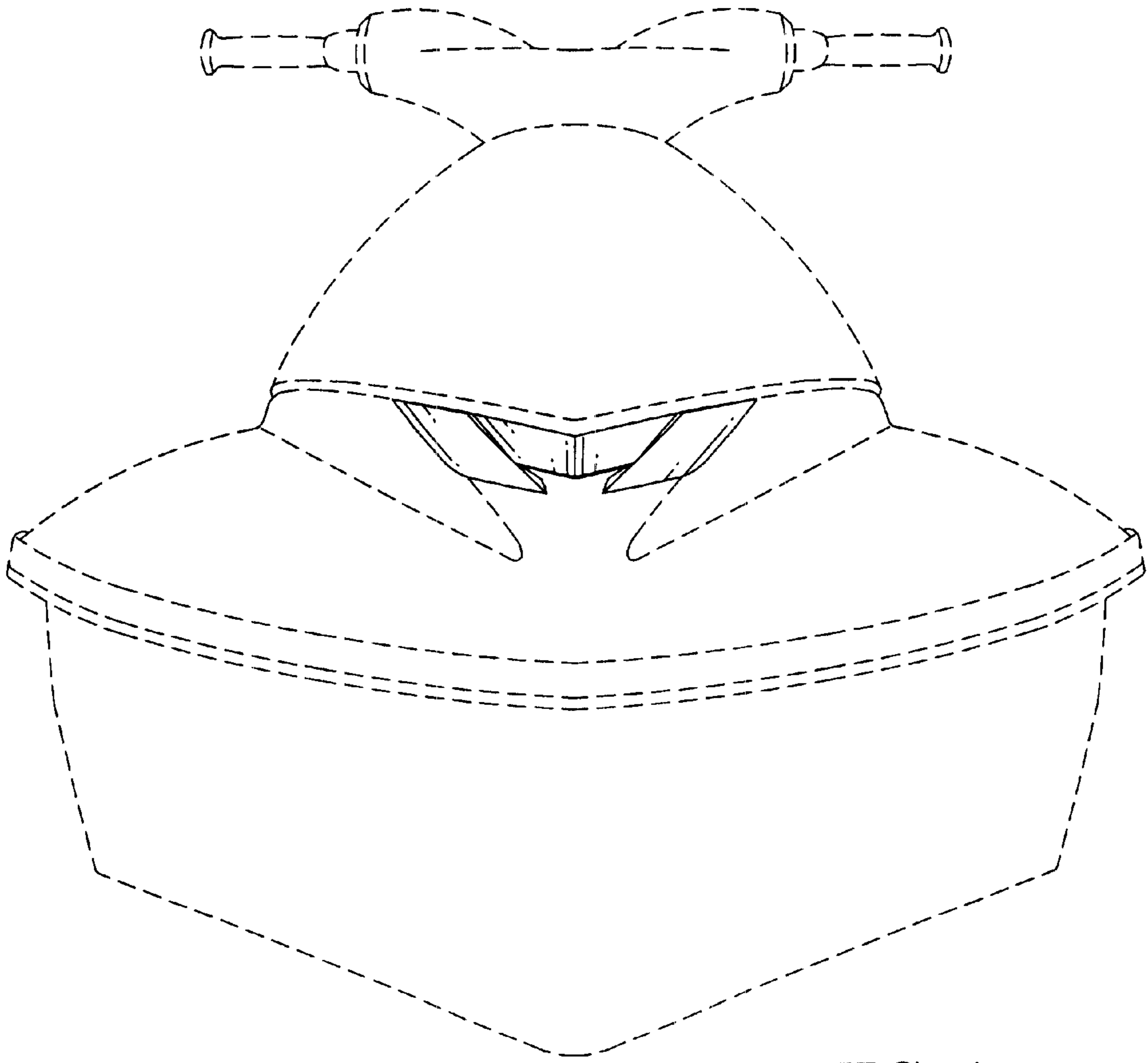


FIG. 1

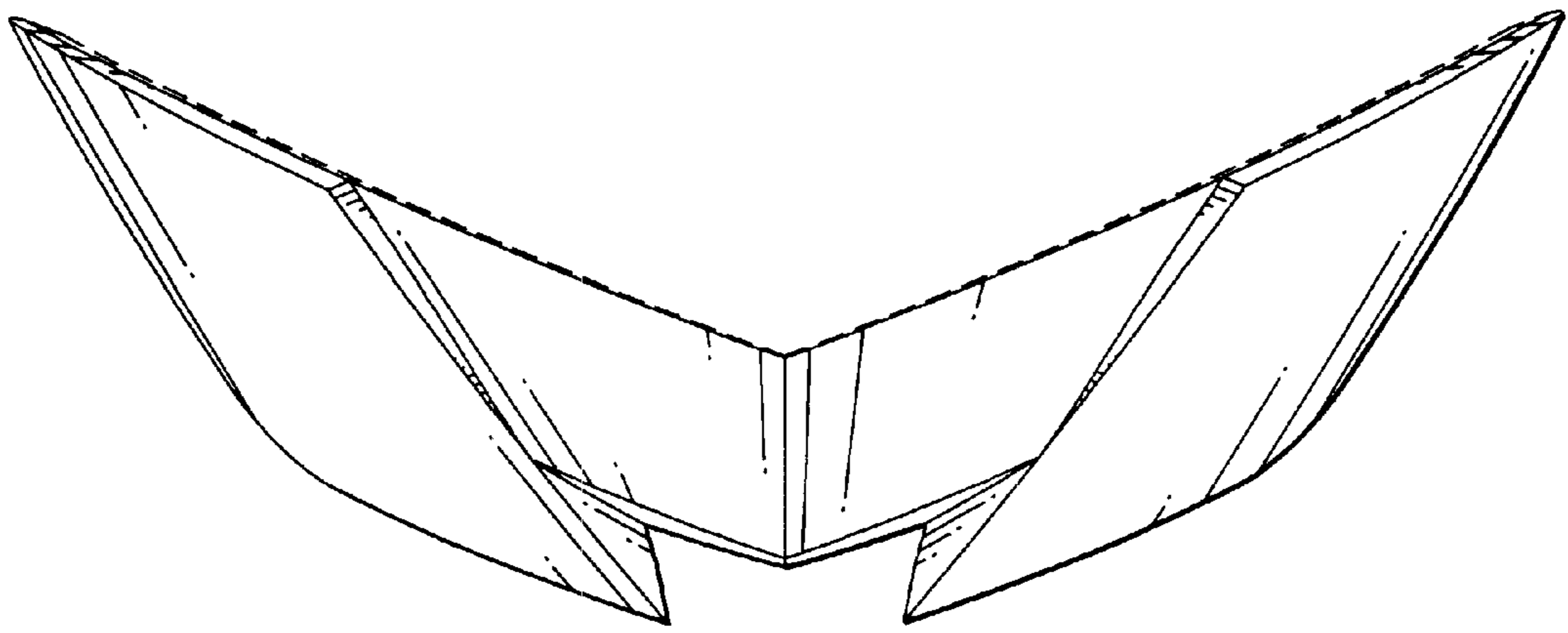


FIG. 2

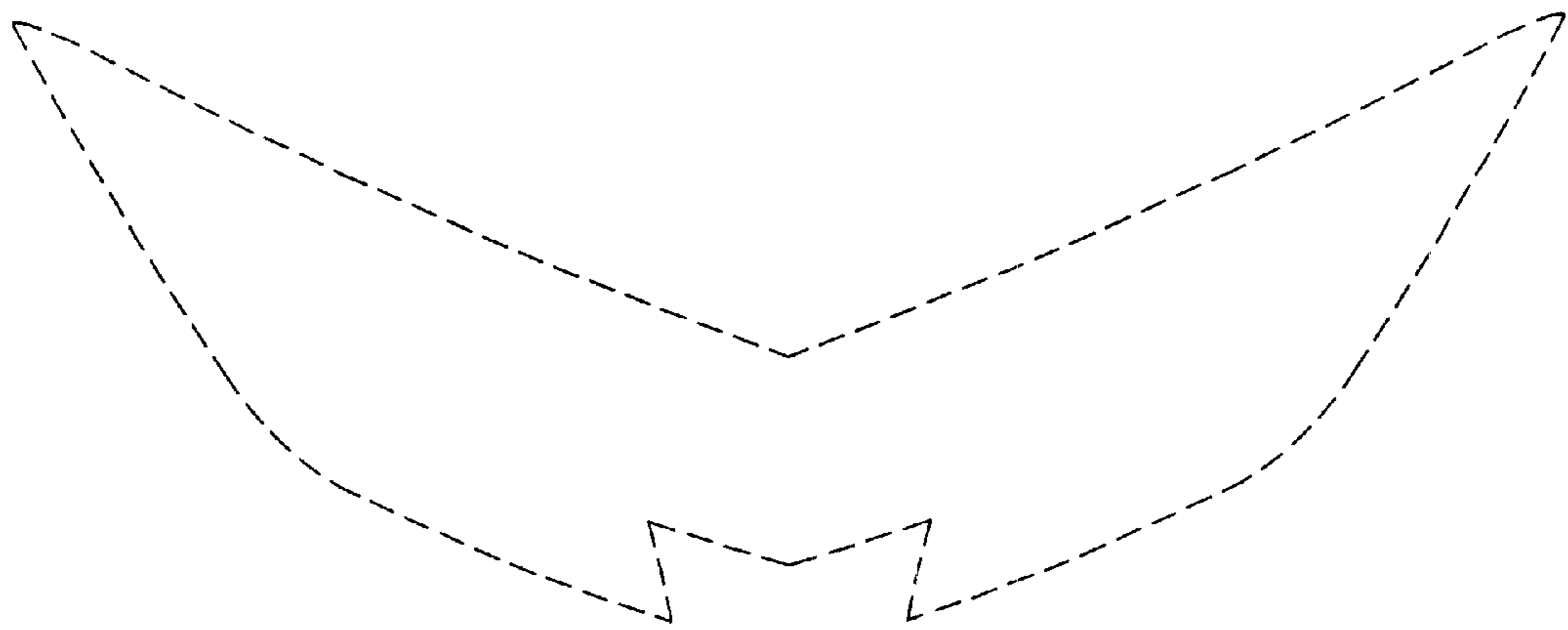


FIG. 3

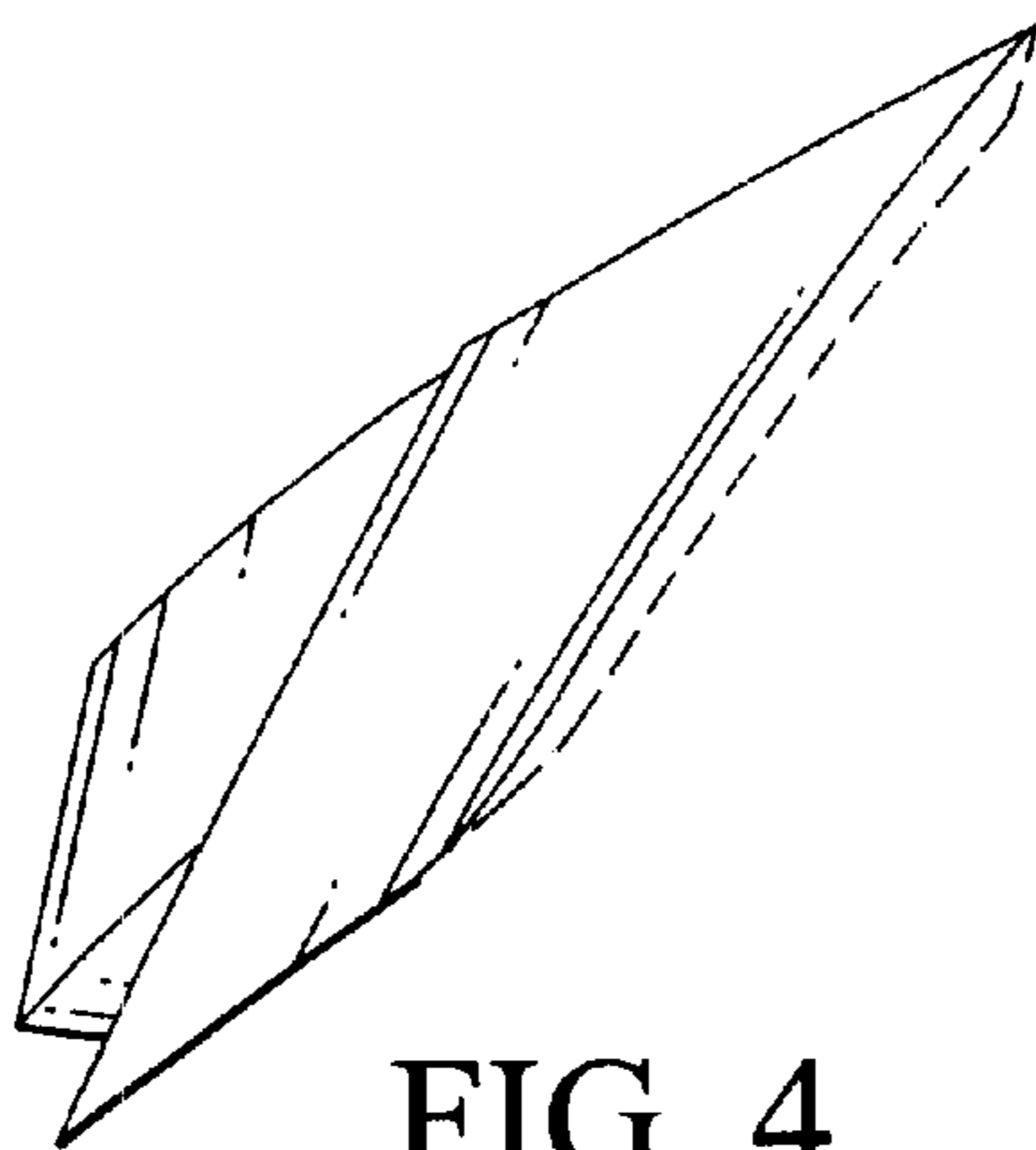


FIG. 4

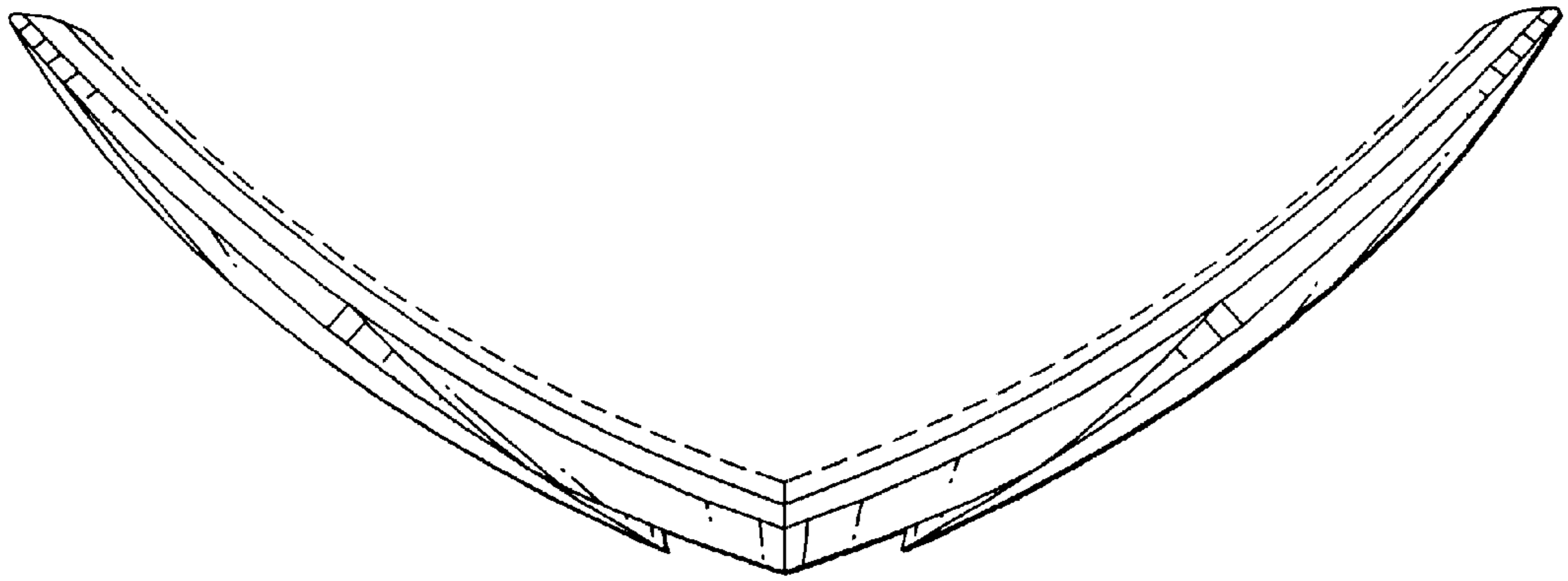


FIG. 5

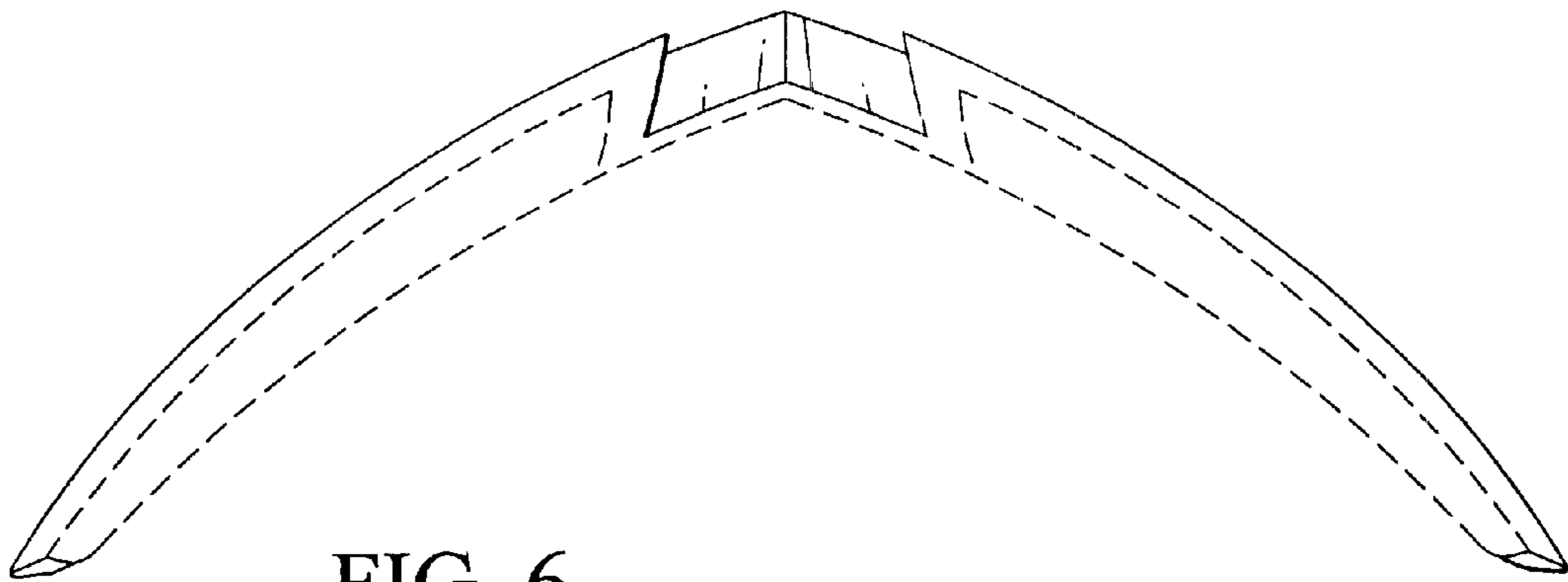


FIG. 6