



US00D476599S

(12) **United States Design Patent**
Whittington

(10) **Patent No.: US D476,599 S**

(45) **Date of Patent: ** Jul. 1, 2003**

(54) **VEHICLE DESIGN**

(76) **Inventor: Peter C. Whittington**, 3205 Cleveland Stret, Hollywood, FL (US) 33021

(**) **Term: 14 Years**

(21) **Appl. No.: 29/165,262**

(22) **Filed: Aug. 6, 2002**

(51) **LOC (7) Cl. 12-14**

(52) **U.S. Cl. D12/7; D12/8**

(58) **Field of Search D12/7, 8, 107; D21/767, 423; 180/180-181, 189, 191-193, 9, 9.1, 25.9, 44, 9.28; 280/28, 28.5, 21, 21.1**

(56) **References Cited**

U.S. PATENT DOCUMENTS

3,568,786	A	*	3/1971	Harsch	280/28	X
4,072,203	A	*	2/1978	Pierson	180/9.44	
4,307,788	A	*	12/1981	Shelton	180/181	
4,421,193	A	*	12/1983	Bissett	180/192	

D447,188	S	*	8/2001	Lan	D21/423	
D460,137	S	*	7/2002	Burger	D21/767	
6,431,302	B2	*	8/2002	Patmont et al.	180/228	
6,435,290	B1	*	8/2002	Justus et al.	180/9.1	

* cited by examiner

Primary Examiner—Nelson C. Holtje

(74) *Attorney, Agent, or Firm*—Malloy & Malloy, P.A.

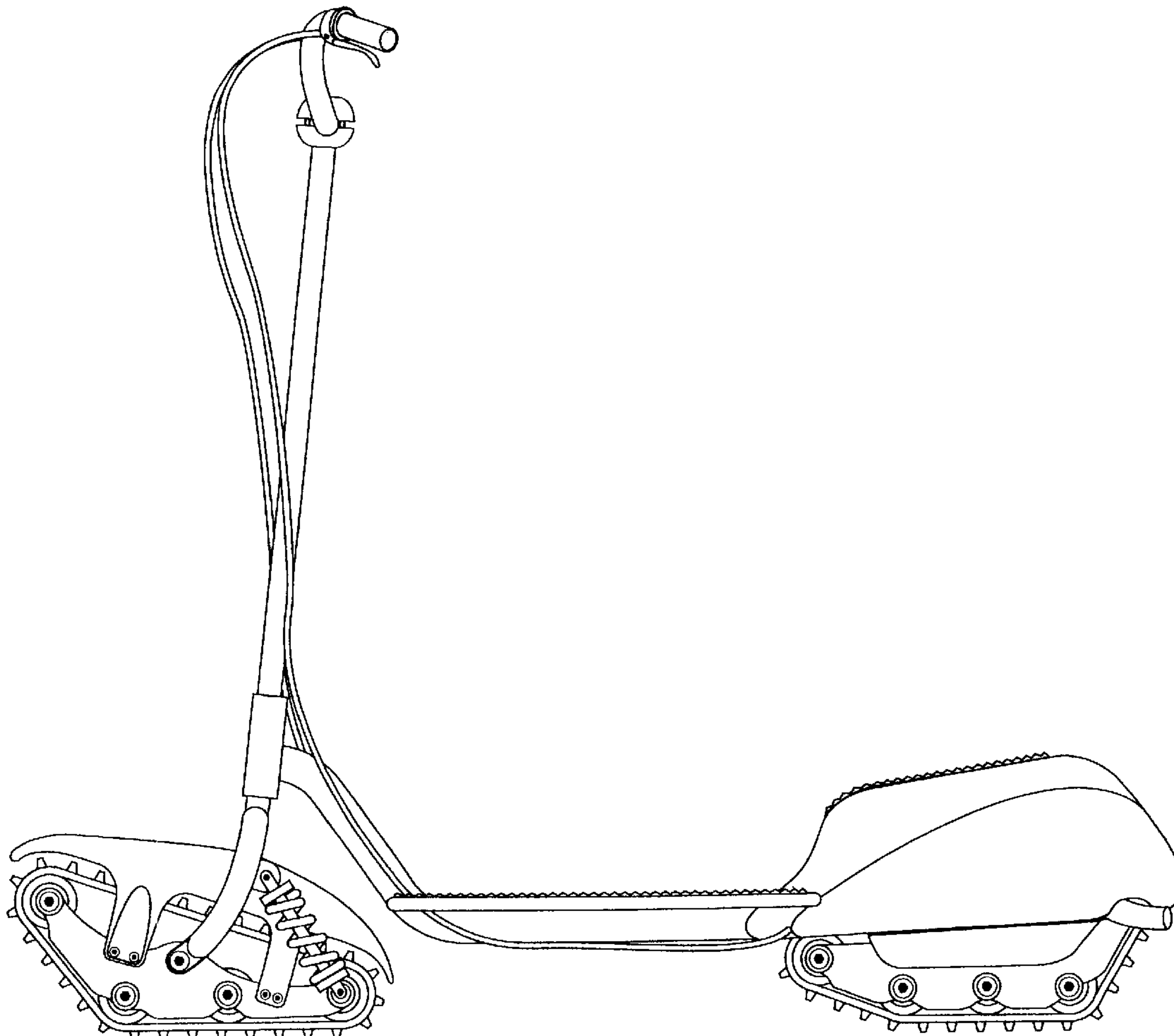
(57) **CLAIM**

The ornamental design for vehicle design, as shown and described.

DESCRIPTION

FIG. 1 is a left side plan view illustrating my design for a vehicle design;
FIG. 2 is a right side plan view of my design;
FIG. 3 is a front plan view of my design;
FIG. 4 is a rear plan view of my design;
FIG. 5 is a bottom view of my design; and,
FIG. 6 is a top view of my design.

1 Claim, 6 Drawing Sheets



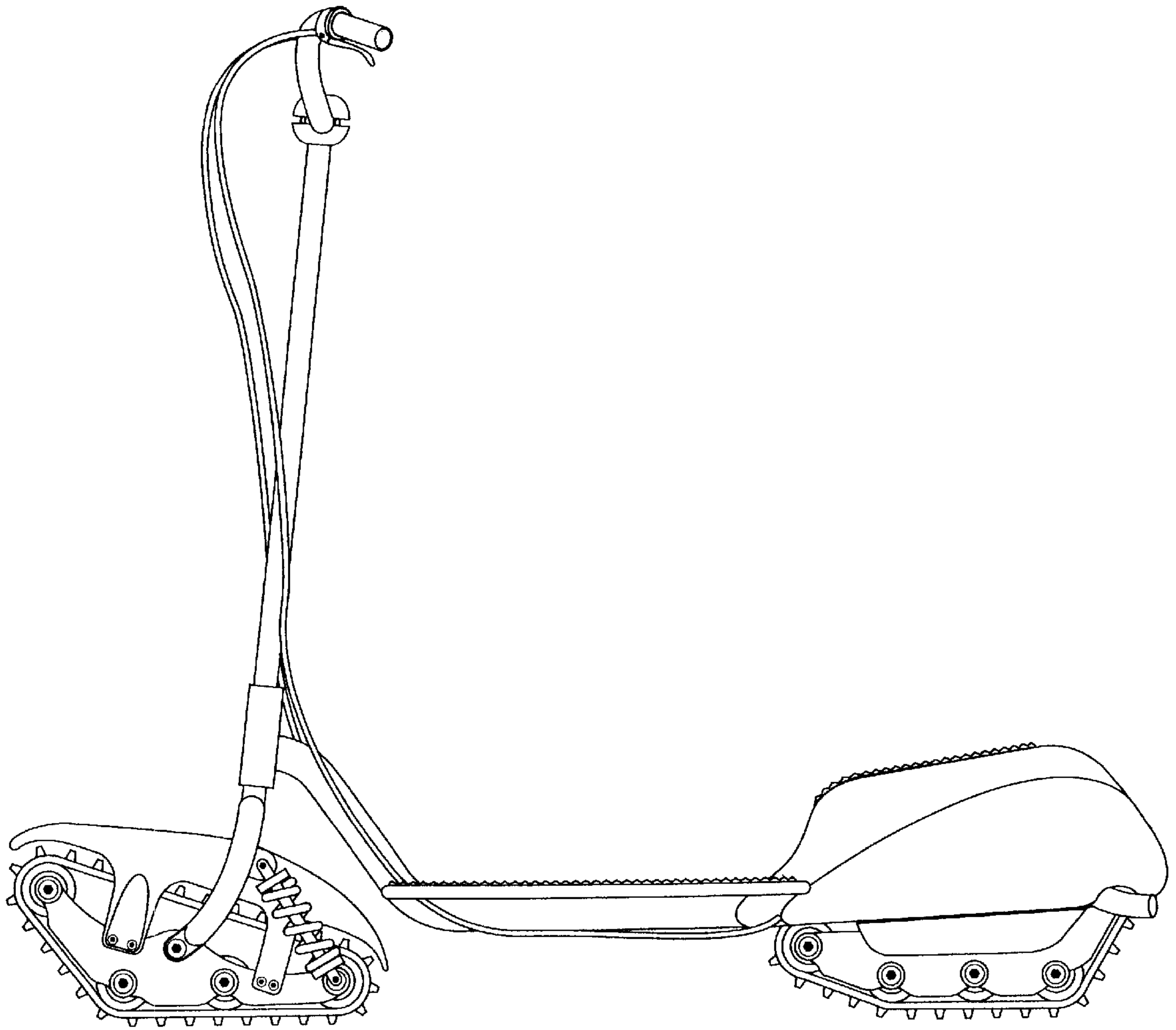


FIG. 1

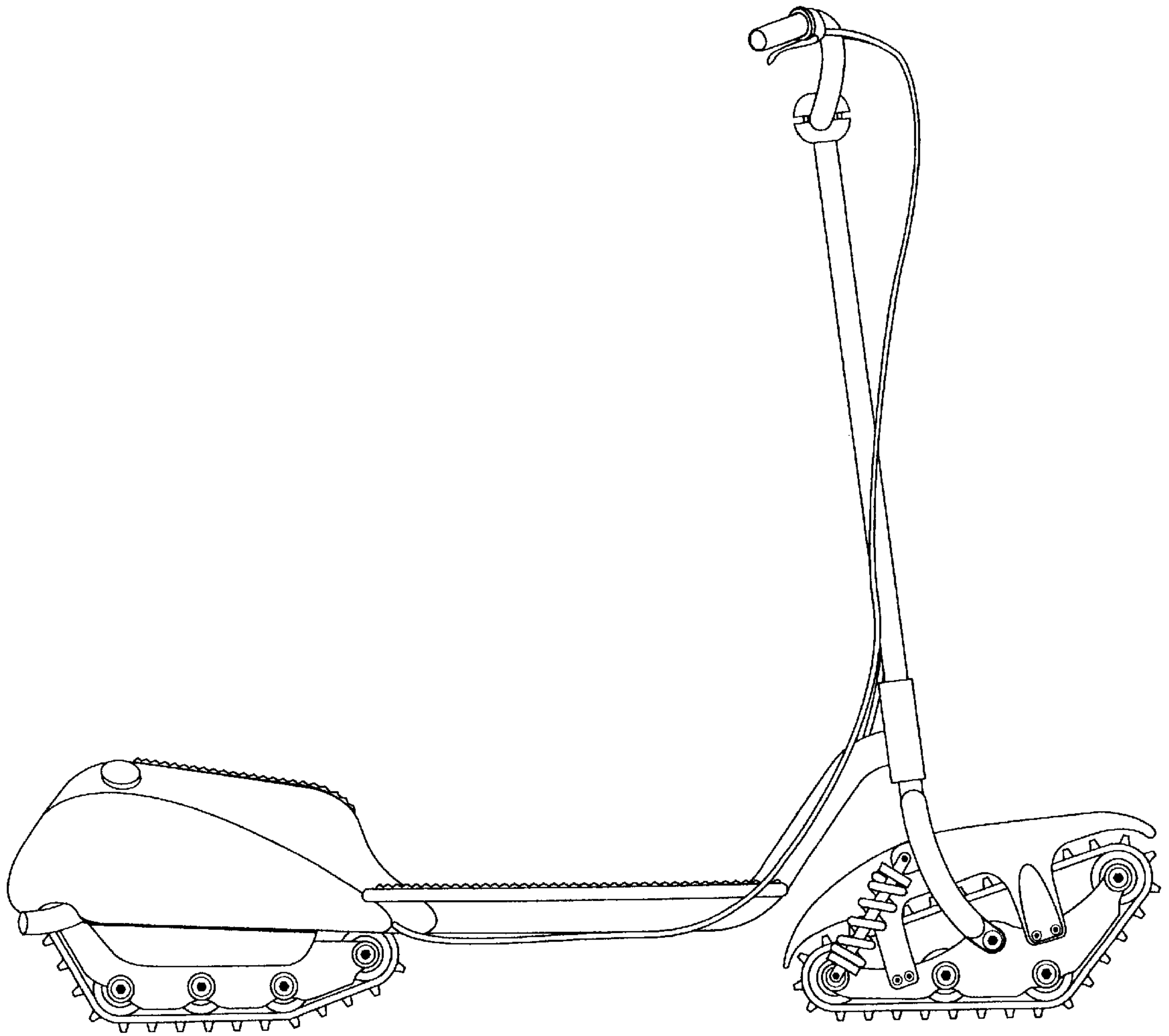


FIG. 2

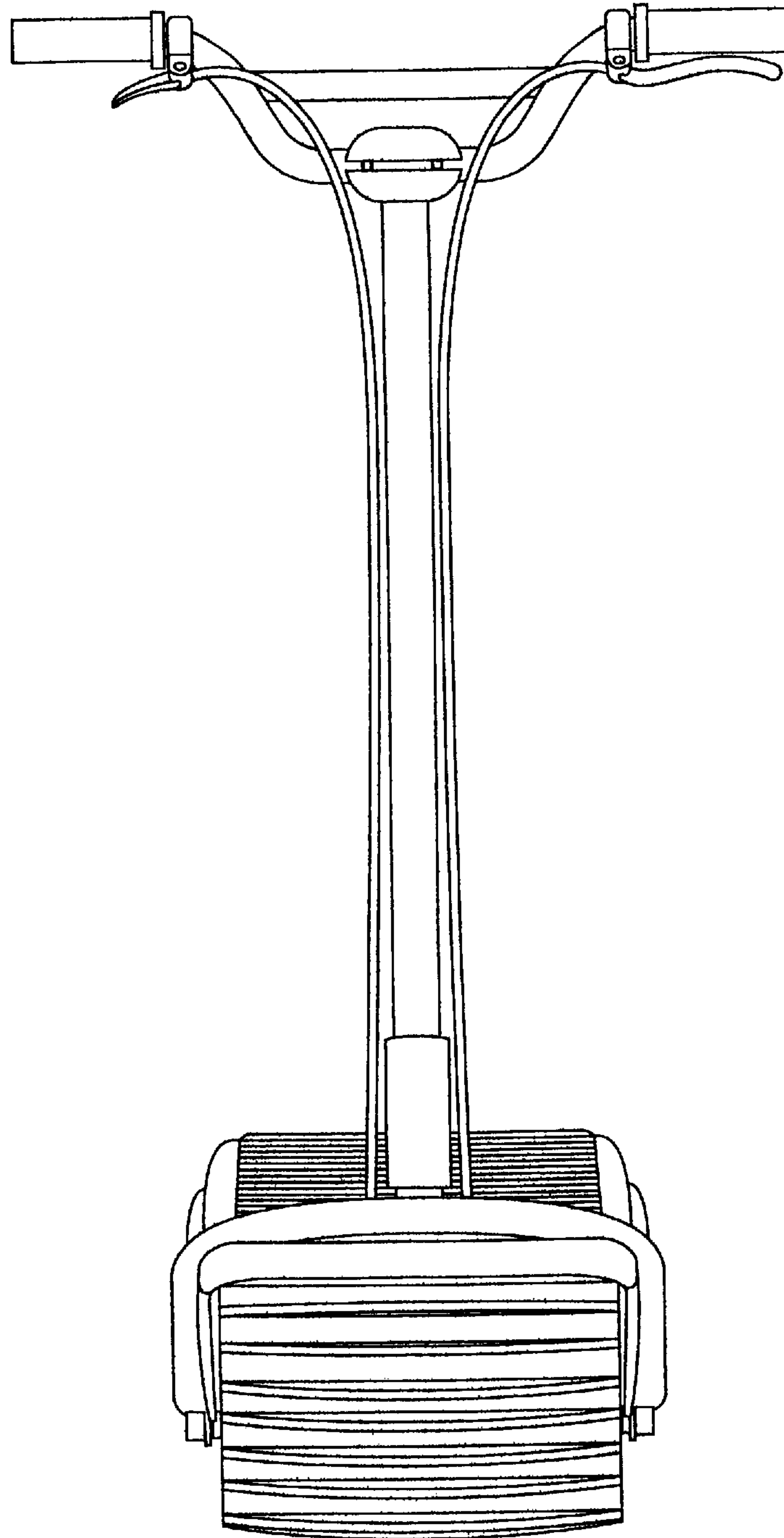


FIG. 3

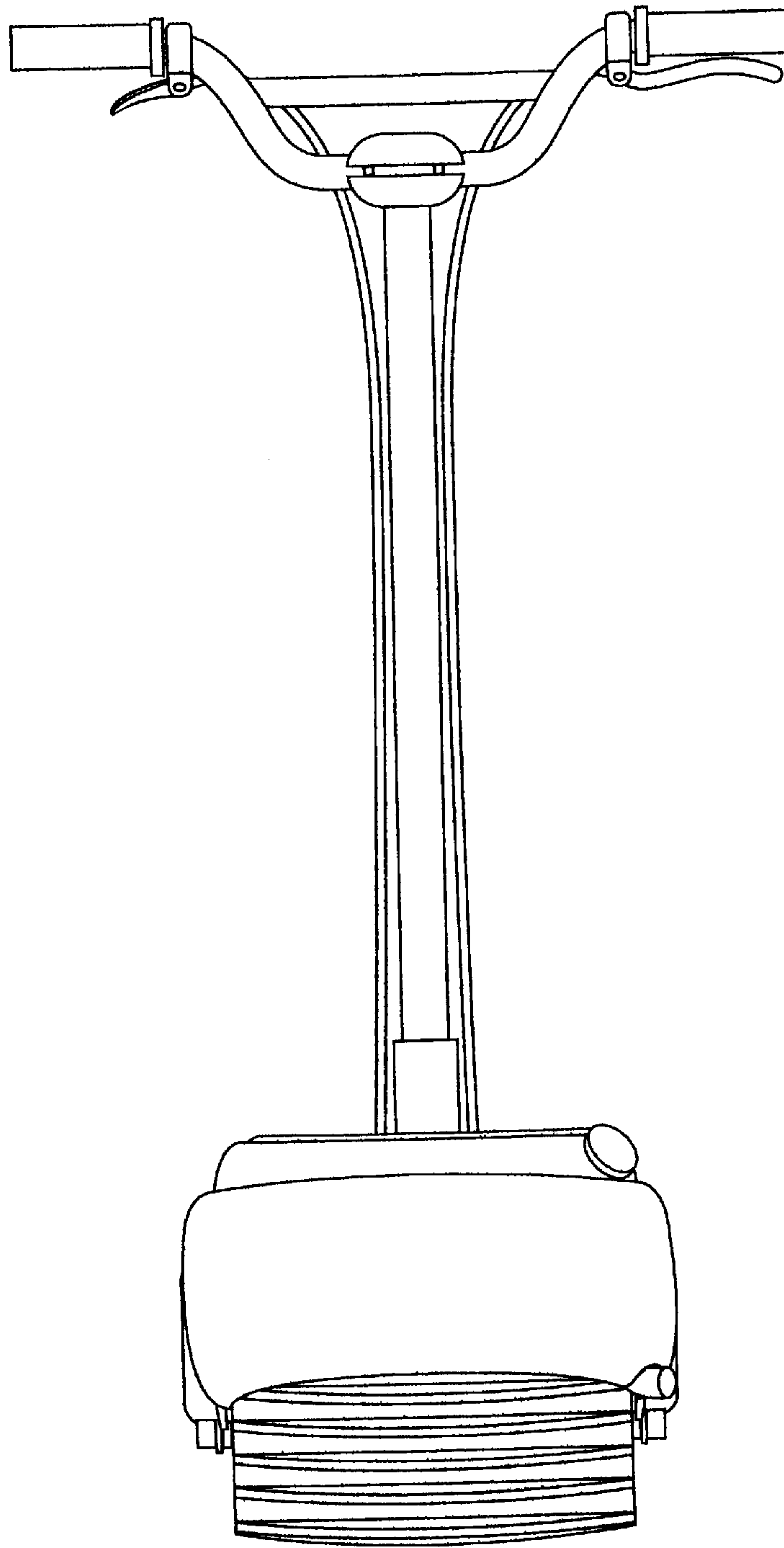


FIG. 4

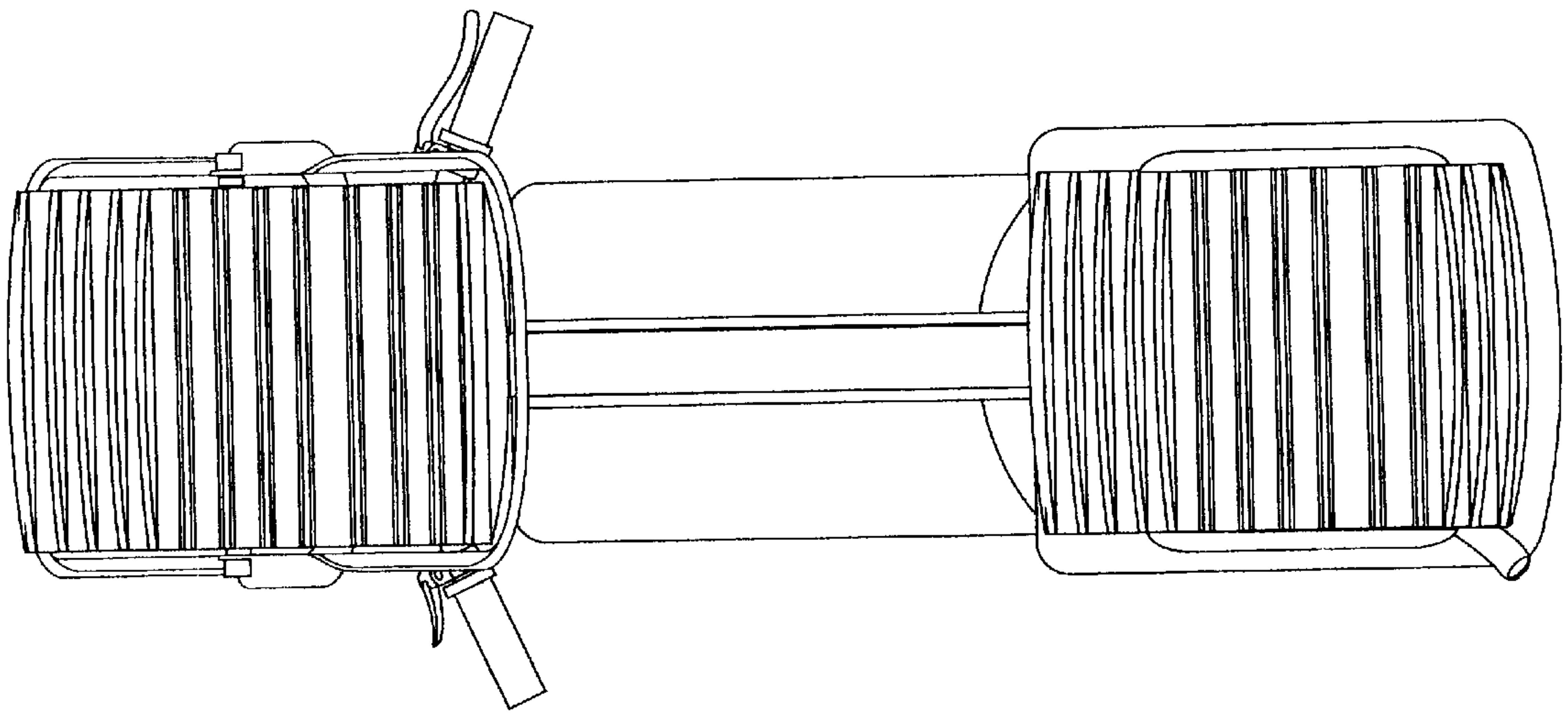


FIG. 5

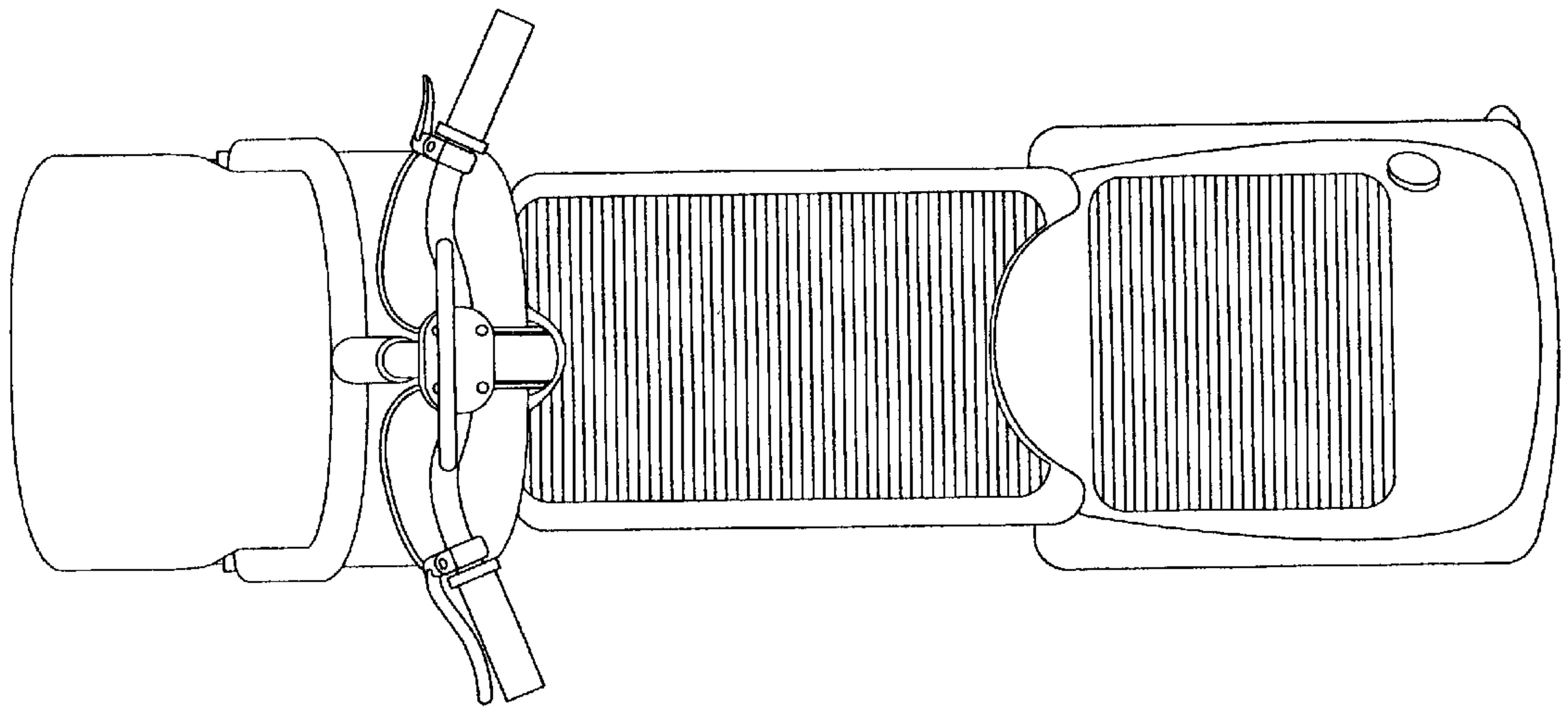


FIG. 6