



US00D476584S

(12) **United States Design Patent**
Zurwelle

(10) **Patent No.: US D476,584 S**

(45) **Date of Patent: ** Jul. 1, 2003**

(54) **LASER LEVEL**

(75) Inventor: **Donald W. Zurwelle**, Lutherville, MD (US)

(73) Assignee: **Black & Decker Inc.**, Newark, DE (US)

(**) Term: **14 Years**

(21) Appl. No.: **29/160,213**

(22) Filed: **May 6, 2002**

Related U.S. Application Data

(63) Continuation of application No. 29/137,580, filed on Feb. 23, 2001, now Pat. No. Des. 464,578.

(51) **LOC (7) Cl. 10-04**

(52) **U.S. Cl. D10/69**

(58) **Field of Search D10/69; 33/291, 33/295, DIG. 21; 356/138, 249, 250; 372/9-30**

(56) **References Cited**

U.S. PATENT DOCUMENTS

5,675,603 A * 10/1997 Jenkins 372/12
5,754,582 A * 5/1998 Dong 372/9

(List continued on next page.)

Primary Examiner—Antoine Duval Davis

(74) *Attorney, Agent, or Firm*—Adan Ayala

(57) **CLAIM**

The ornamental design for a laser level, as shown and described.

DESCRIPTION

FIG. 1 is a front perspective view of an embodiment of a laser level showing my new design, where

FIG. 1-2 show the laser level with a pivotable head assembly in substantially vertical and substantially horizontal positions, respectively, with an installed battery pack, and FIG. 3 show the laser level with the pivotable head assembly in a substantially vertical position without the installed battery pack.

FIG. 4 is a left side elevational view of the embodiment, where

FIGS. 4-5 show the laser level with the pivotable head assembly in substantially vertical and substantially horizontal positions, respectively, with the installed battery pack, and

FIG. 6 show the laser level with the pivotable head assembly in a substantially vertical position without the installed battery pack.

FIG. 7 is a front elevational view of the embodiment, where FIGS. 7-8 show the laser level with the pivotable head assembly in substantially vertical and substantially horizontal positions, respectively.

FIG. 9 is a right side elevational view of the embodiment, where

FIGS. 9-10 show the laser level with the pivotable head assembly in substantially vertical and substantially horizontal positions, respectively, with the installed battery pack and FIG. 11 show the laser level with the pivotable head assembly in a substantially vertical position without the installed battery pack.

FIG. 12 is a rear elevational view of the embodiment, where FIG. 12 shows the laser level with the pivotable head assembly in a substantially vertical position with the installed battery pack, and

FIGS. 13-14 show the laser level with the pivotable head assembly in substantially vertical and substantially horizontal positions, respectively, without the installed battery pack.

FIG. 15 is a top plan view of the embodiment, where FIGS. 15-16 show the laser level with the pivotable head assembly in substantially vertical and substantially horizontal positions, respectively, with the installed battery pack.

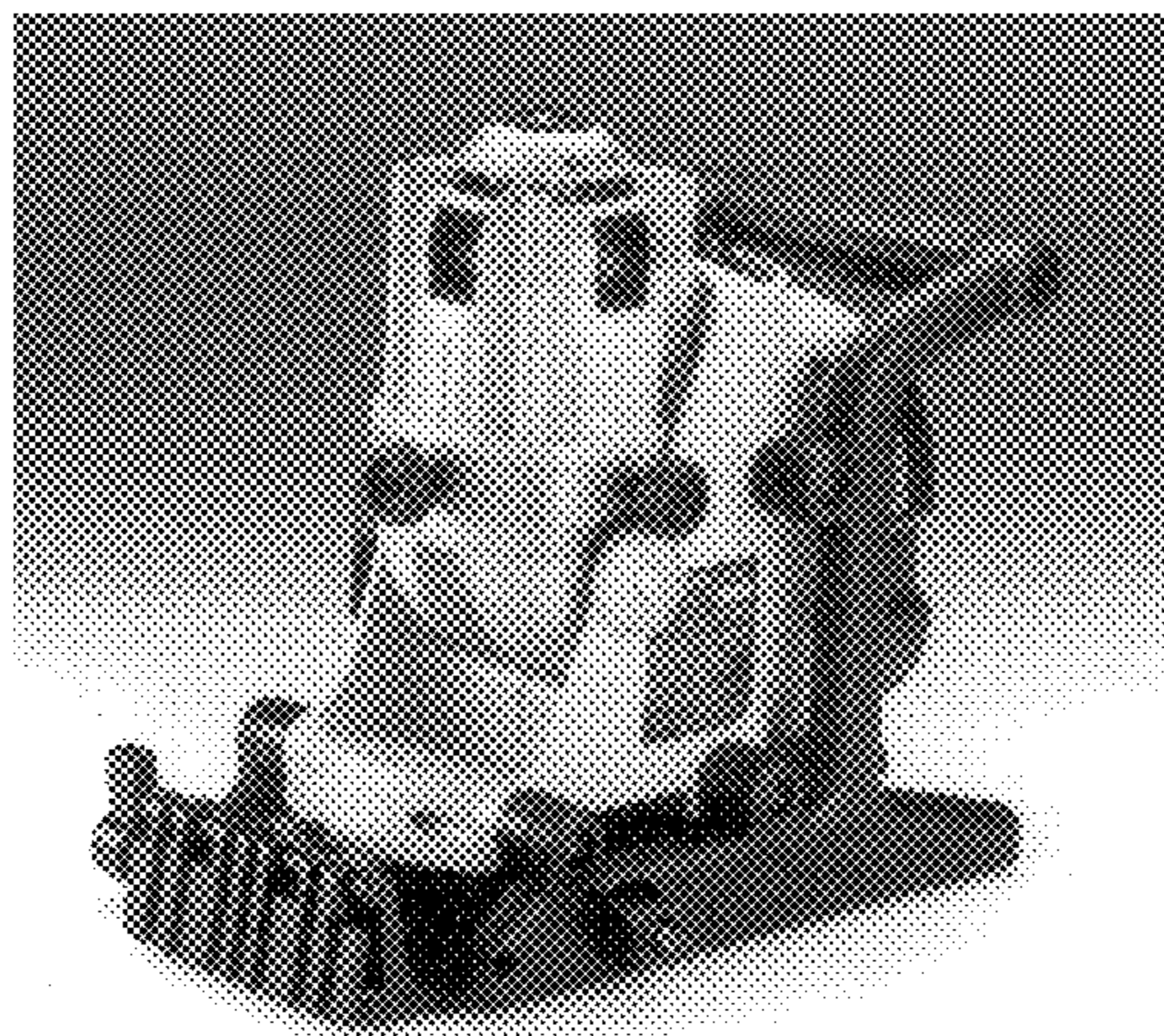
FIG. 17 is a bottom plan view of the embodiment, where the pivotable head assembly is in a substantially horizontal position.

FIG. 18 is a rear perspective view from the right side of the embodiment, where the pivotable head assembly is in a substantially vertical position and the battery pack is removed; and,

FIG. 19 is a rear perspective view from the left side of the embodiment, where the pivotable head assembly is in a substantially horizontal position and the battery pack is removed.

In the above drawings, any wording or numerals shown therein does not form a part of the invention. In addition, the detached or removed battery pack shown in FIGS. 3, 6, 11, 13, 14 and 18-19 does not form a part of the invention.

1 Claim, 19 Drawing Sheets



US D476,584 S

Page 2

U.S. PATENT DOCUMENTS	6,163,969 A * 12/2000 Jan et al.	33/291
D418,432 S * 1/2000 Krantz	D10/69	
6,043,879 A * 3/2000 Dong	33/291	* cited by examiner

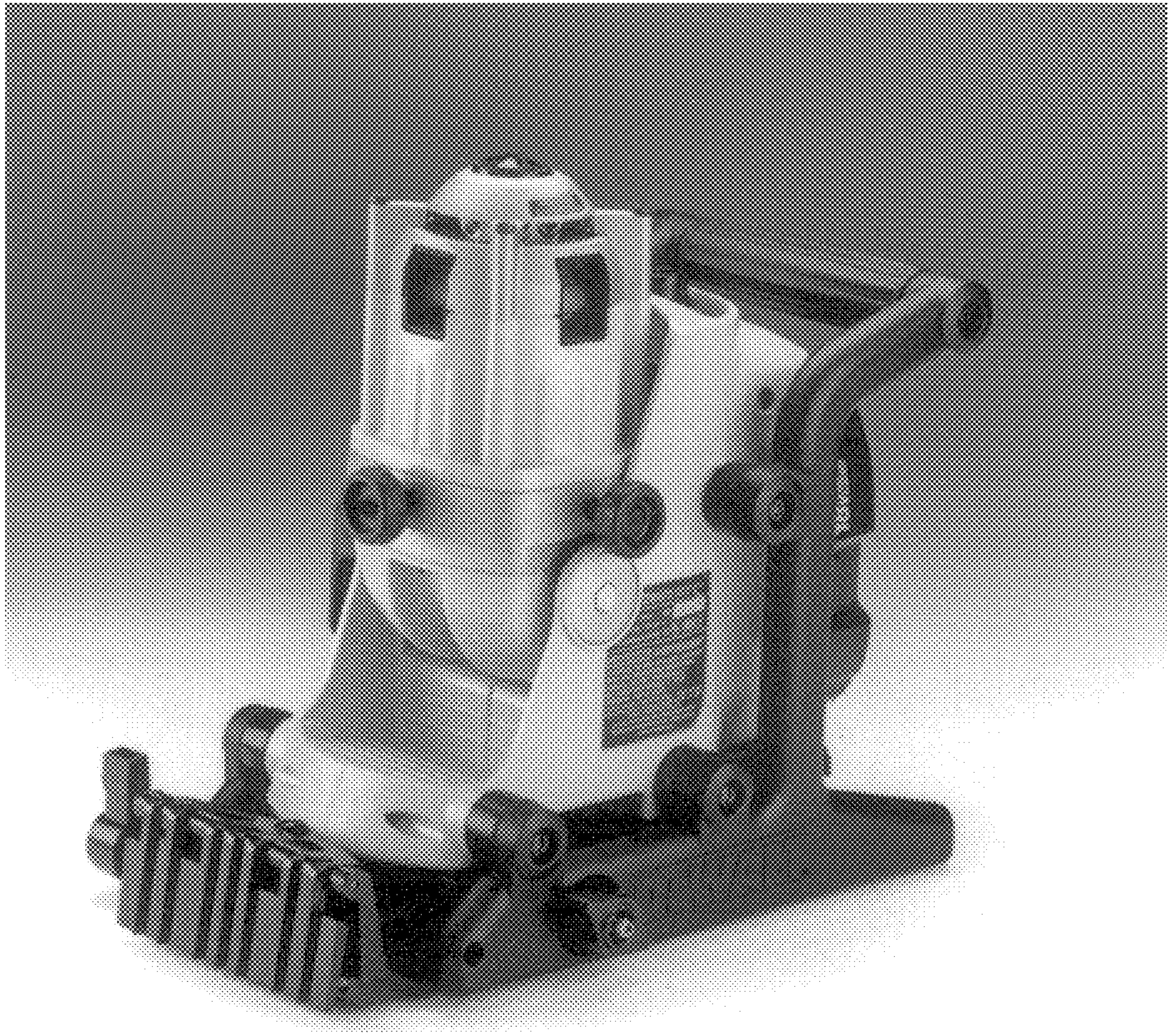


FIG. 1

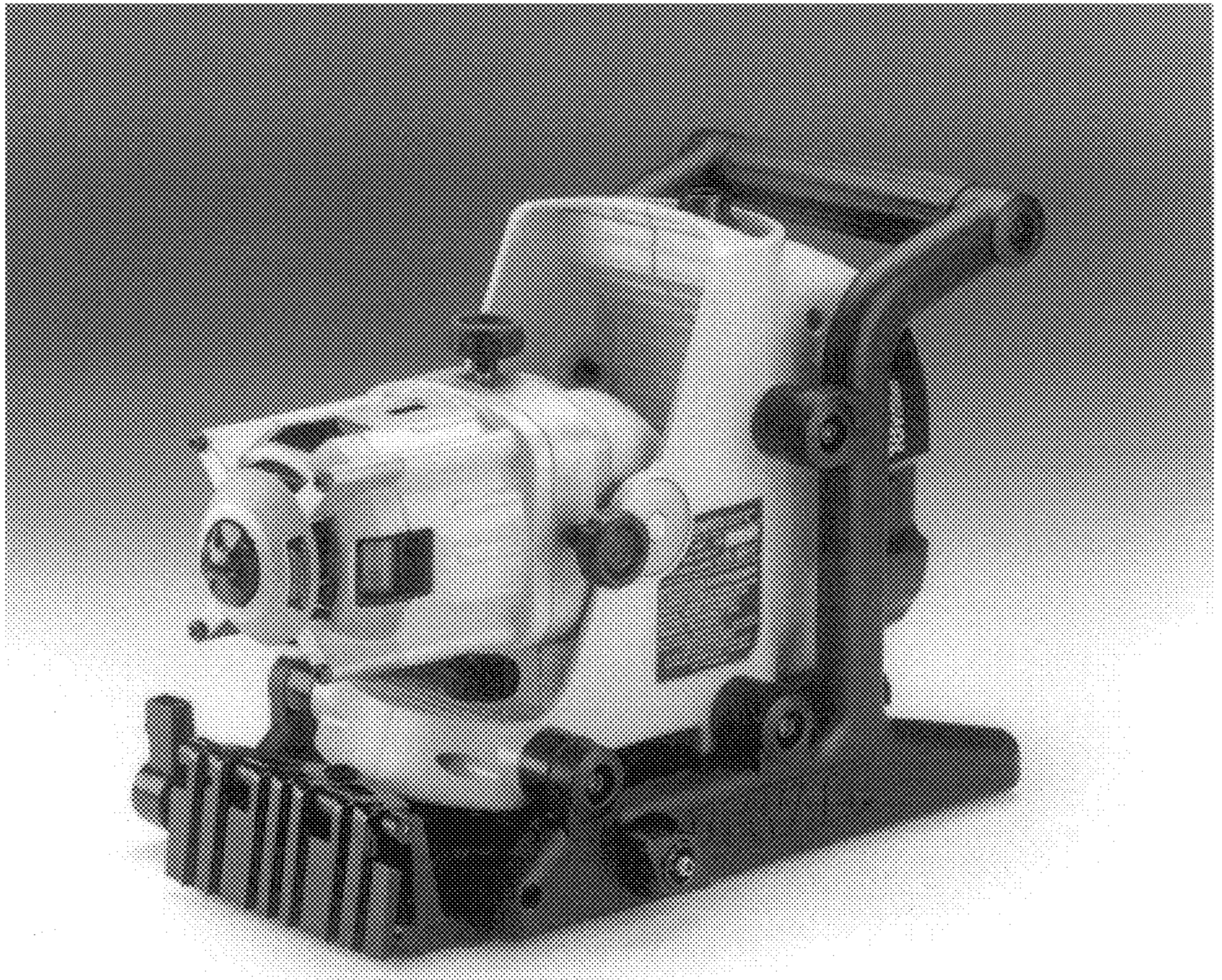


FIG. 2

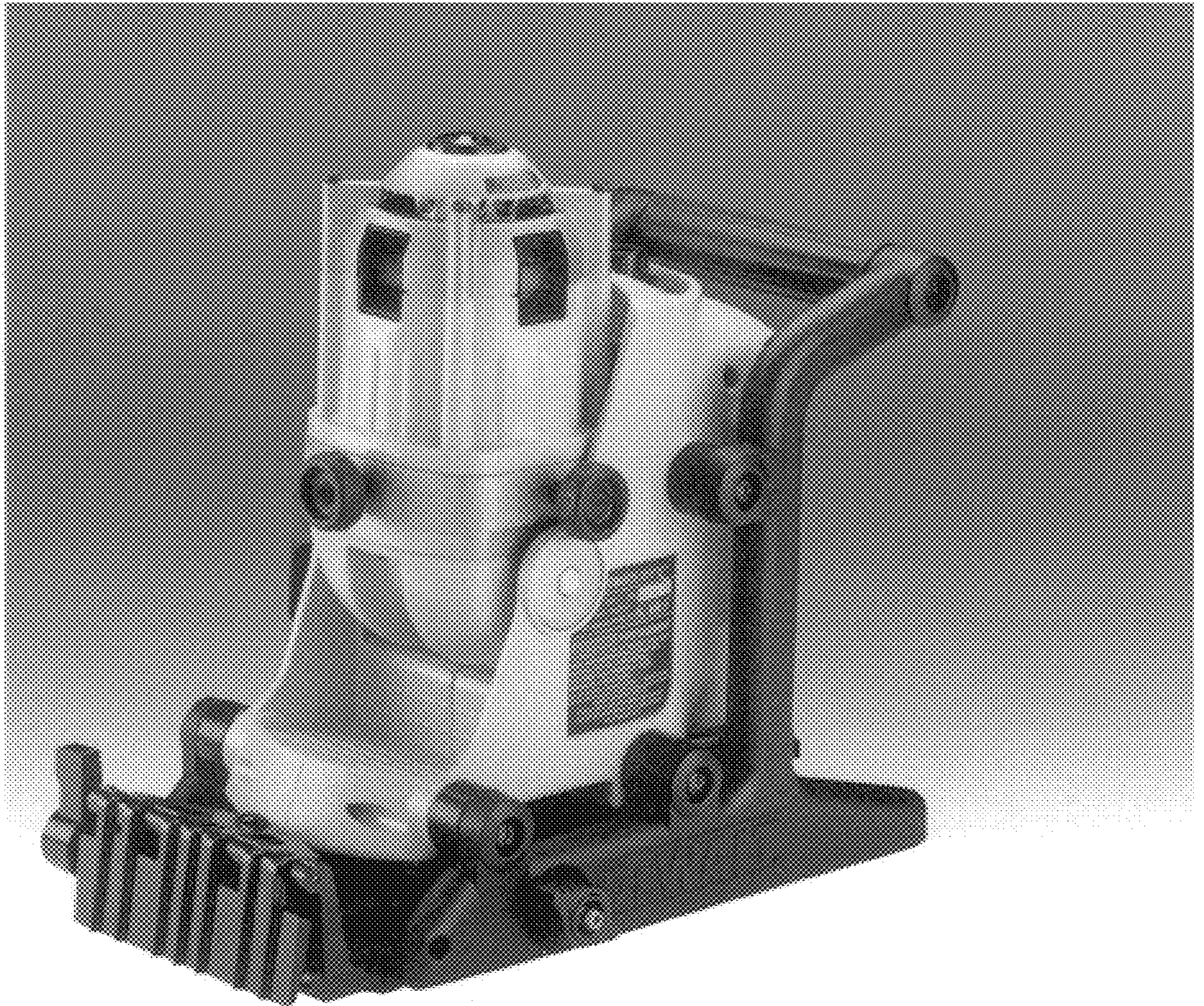


FIG. 3

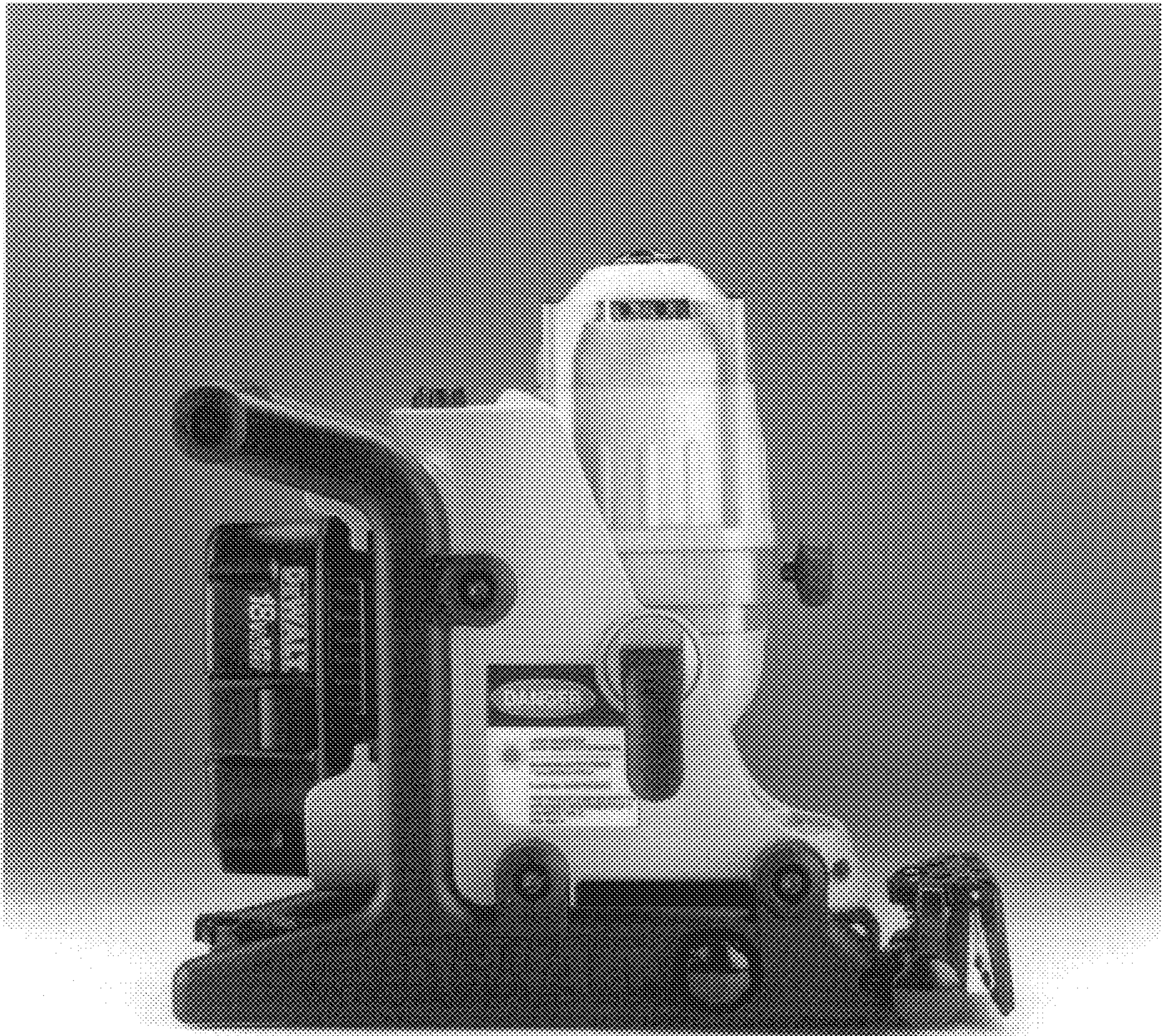


FIG. 4



FIG. 5

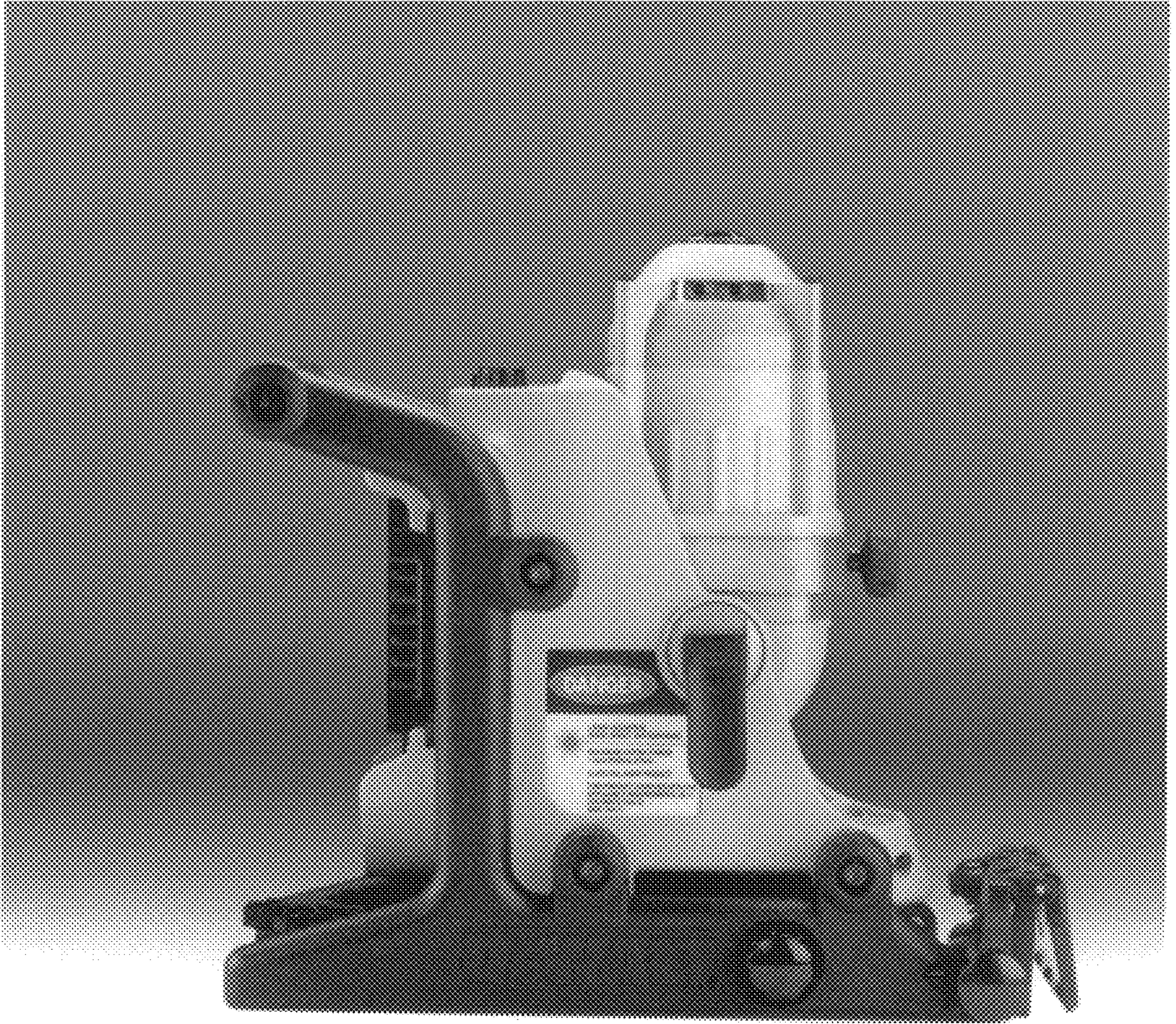


FIG. 6

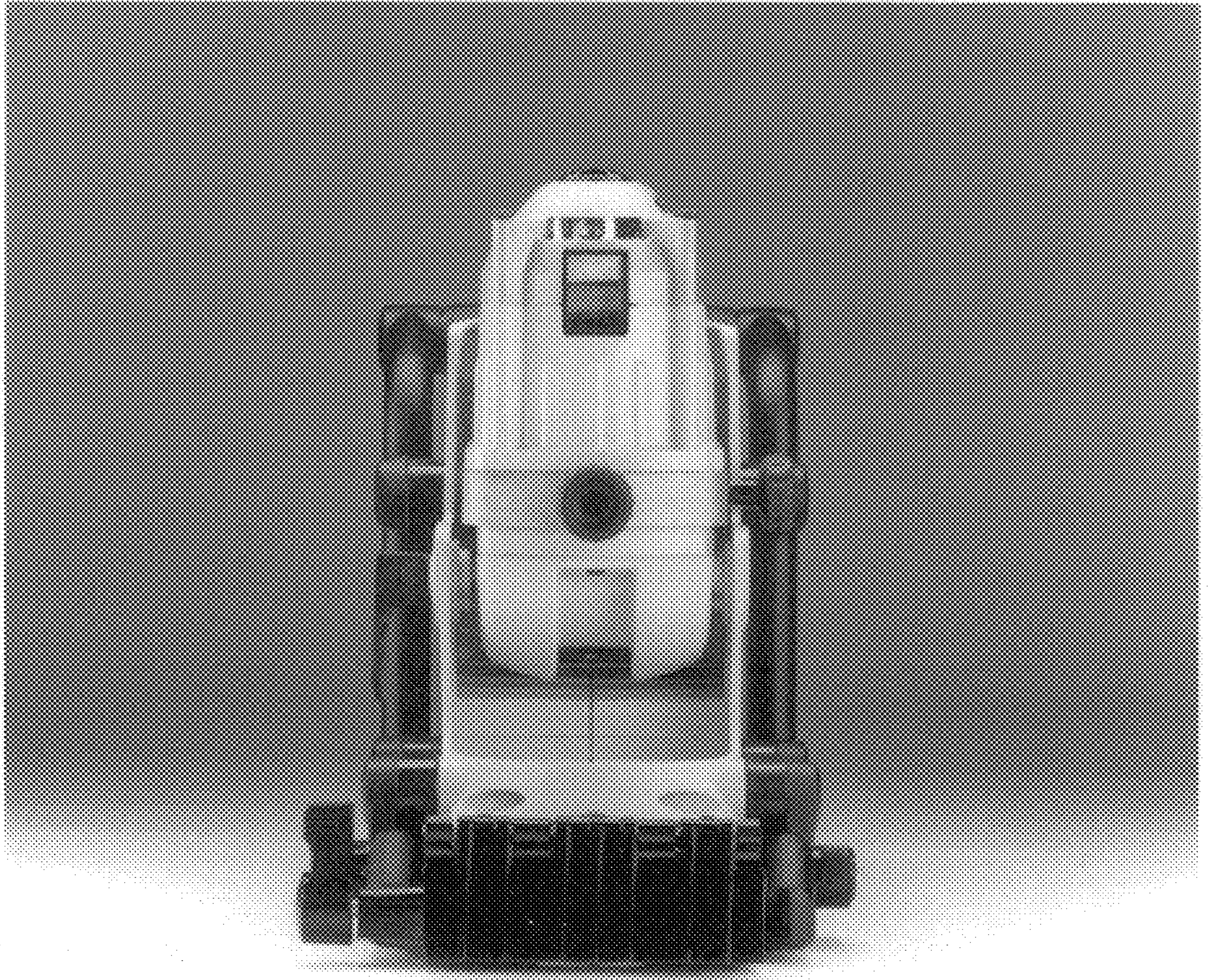


FIG. 7

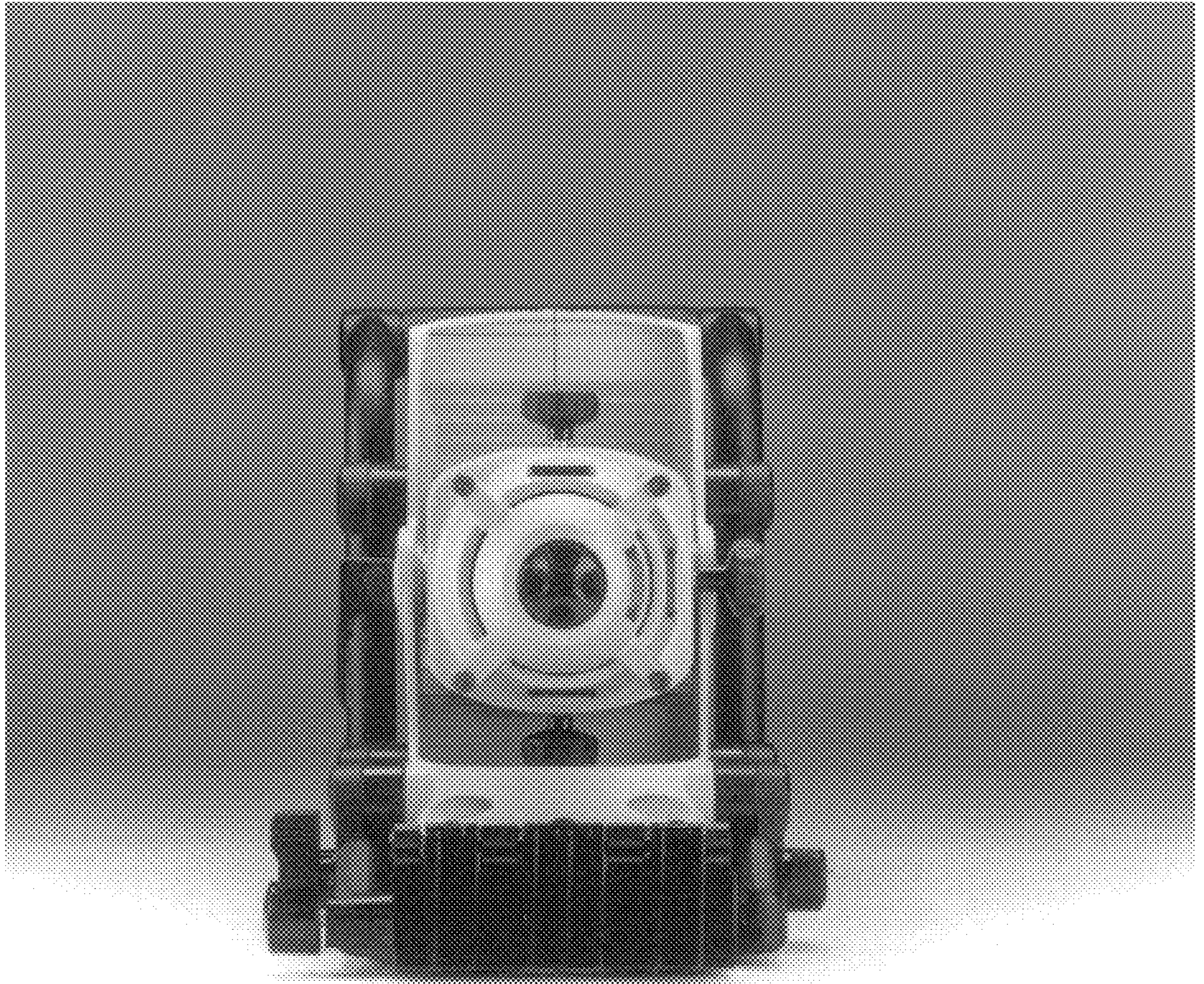


FIG. 8

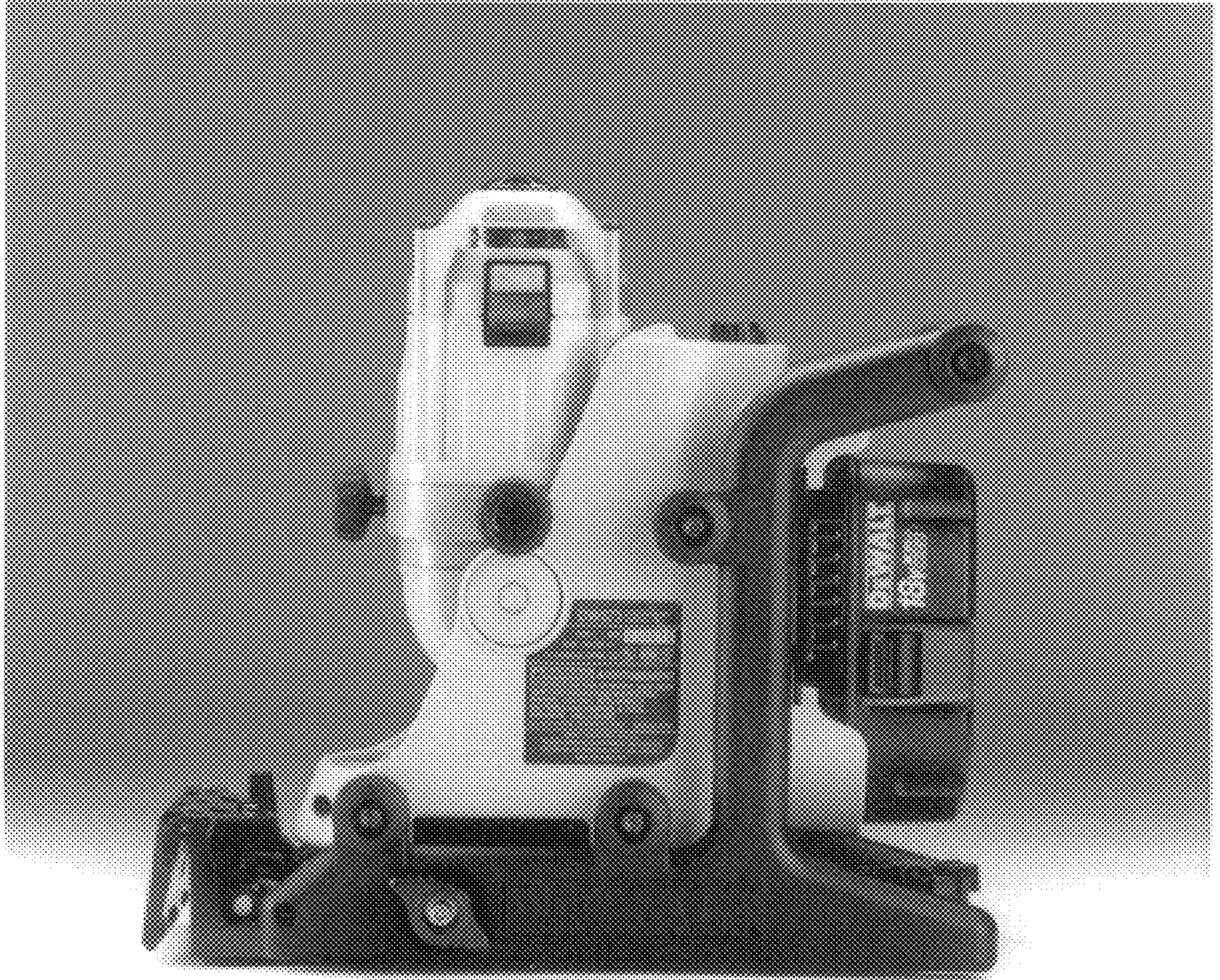


FIG. 9

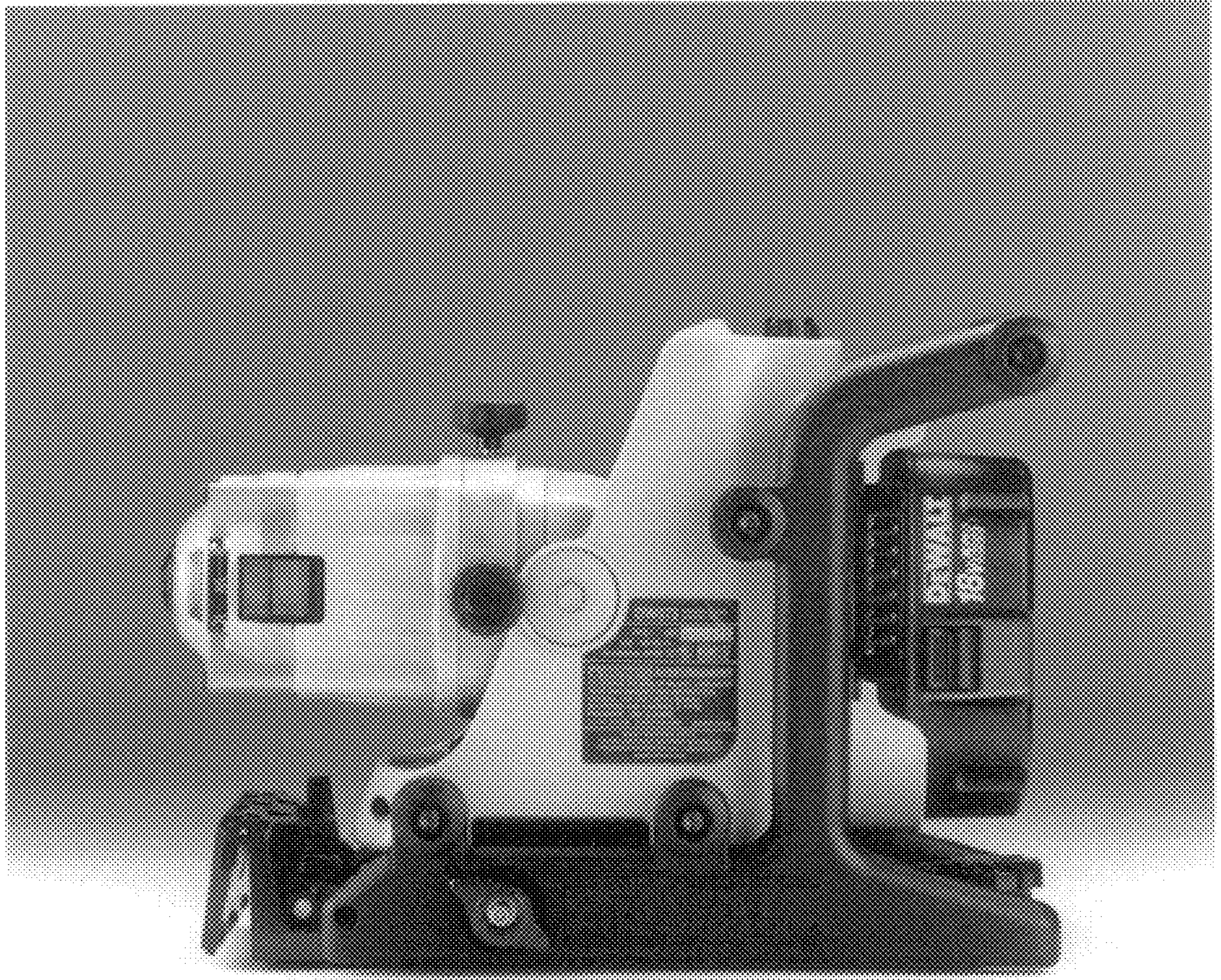


FIG. 10

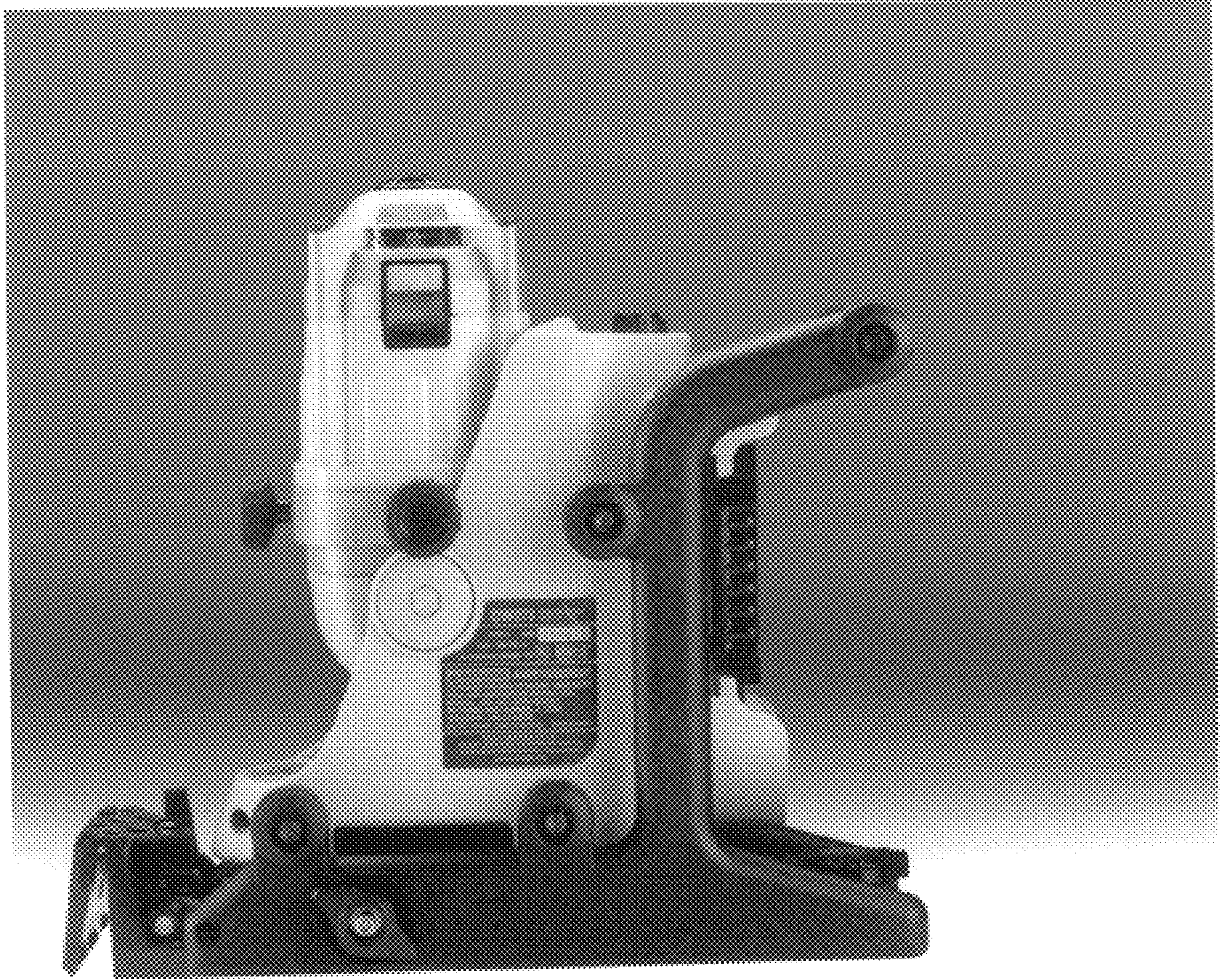


FIG. 11

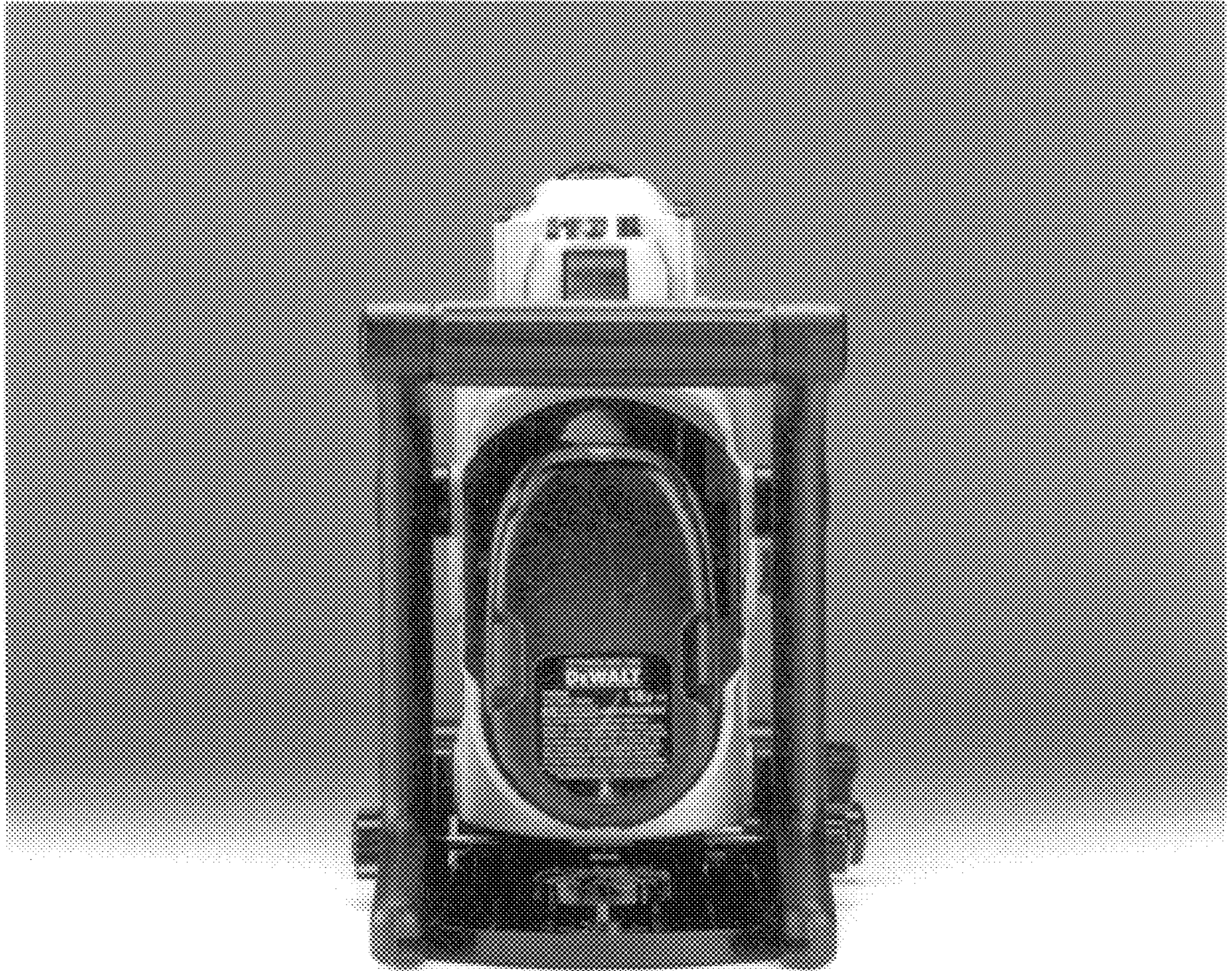


FIG. 12

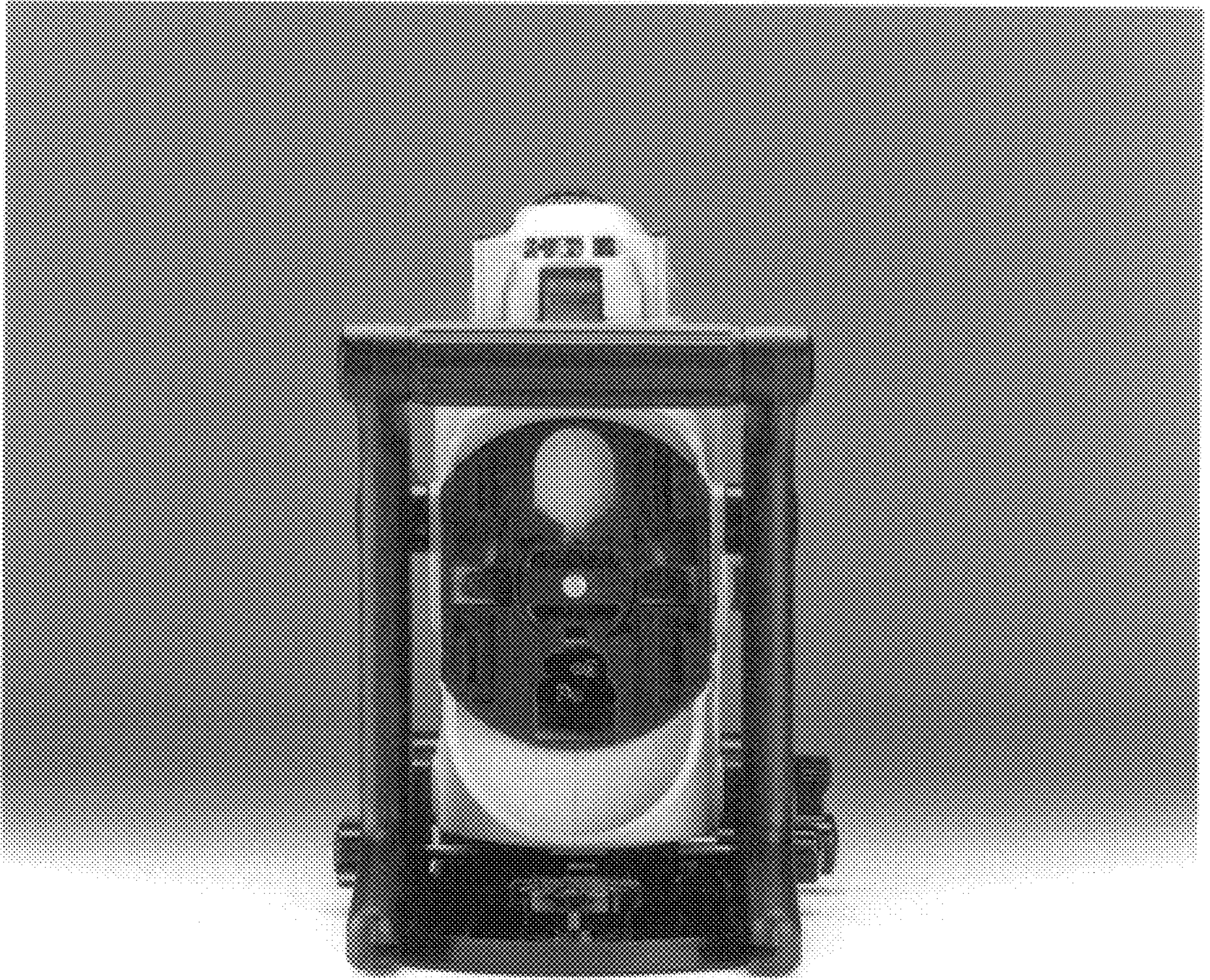


FIG. 13

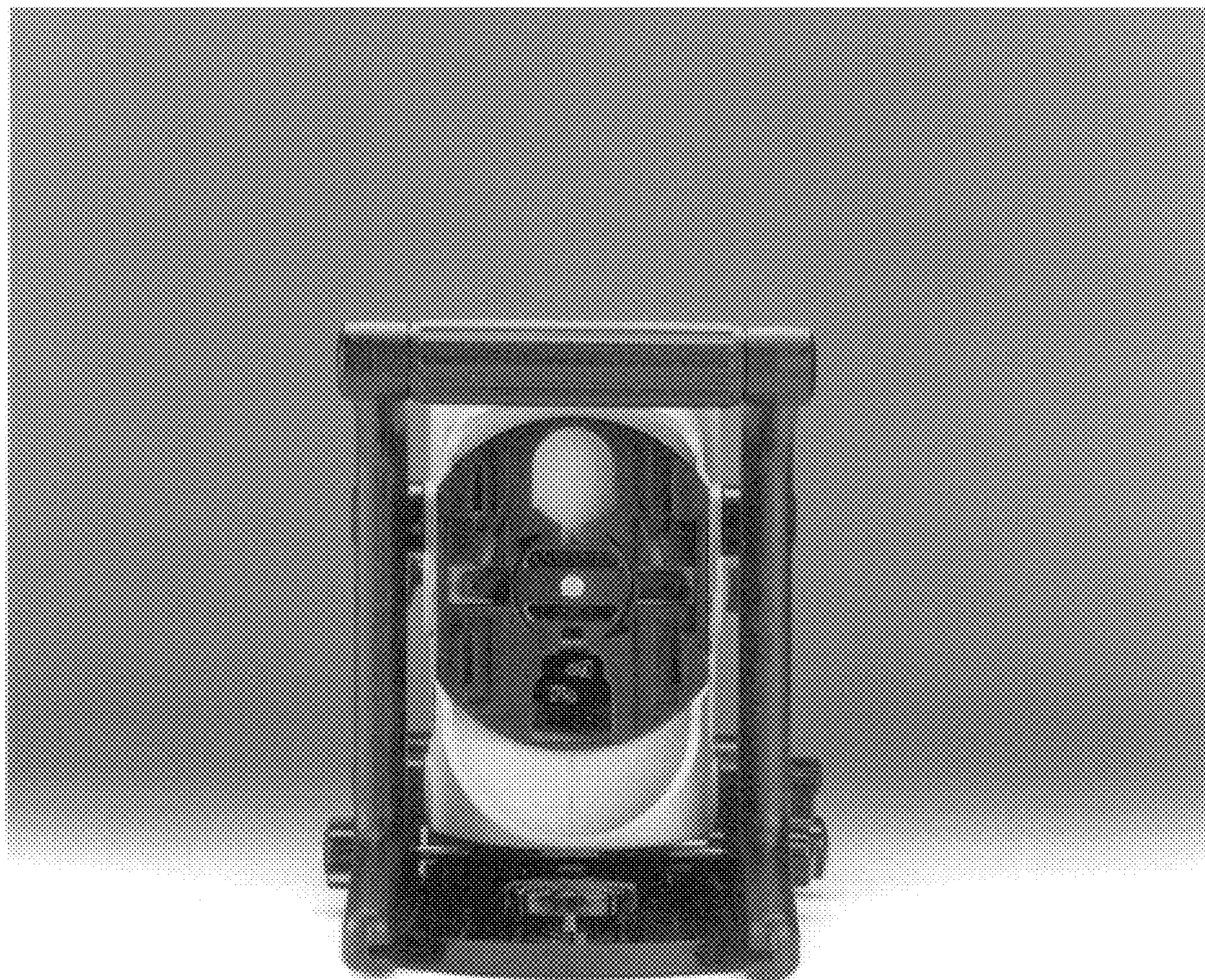


FIG. 14

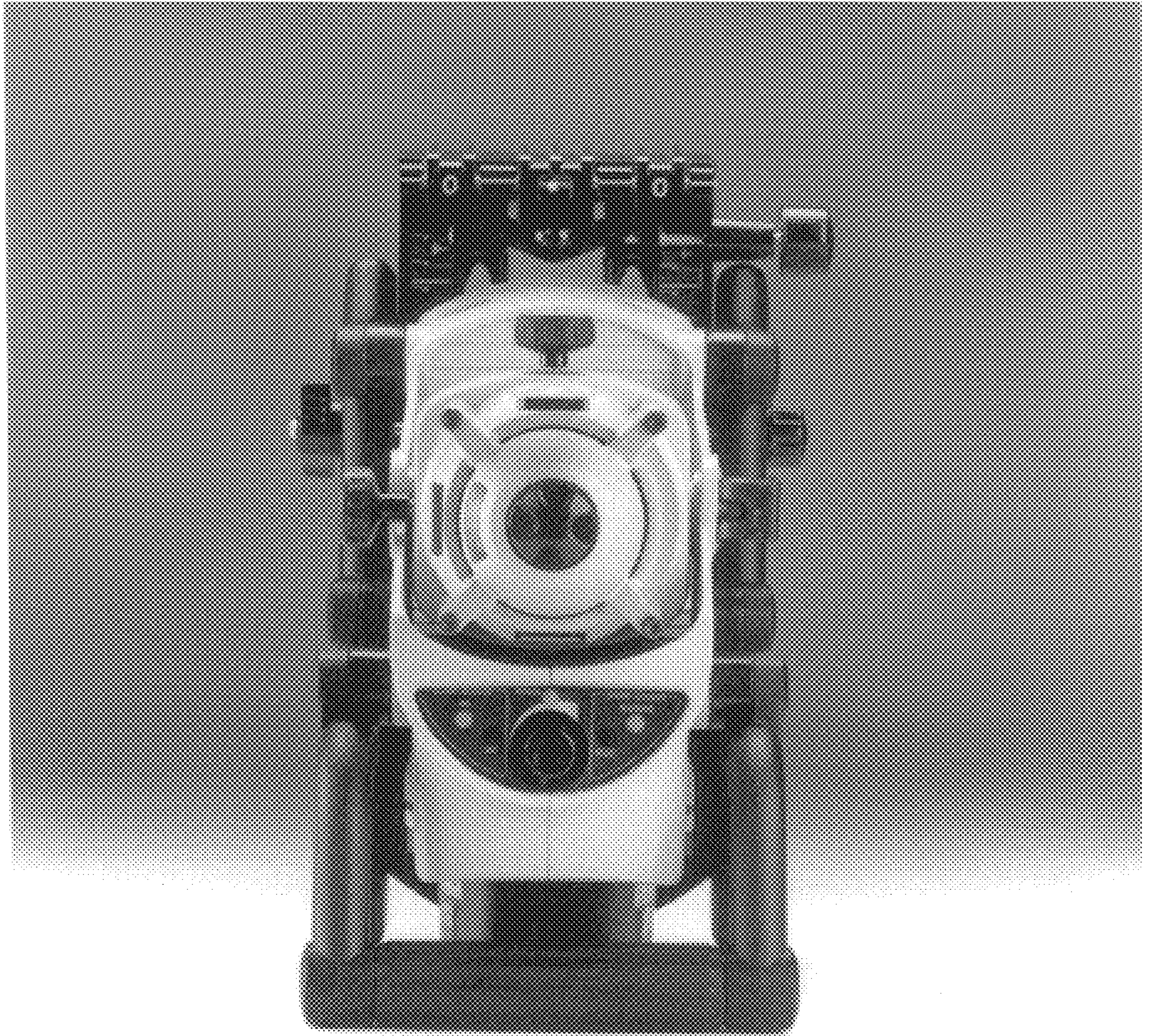


FIG. 15

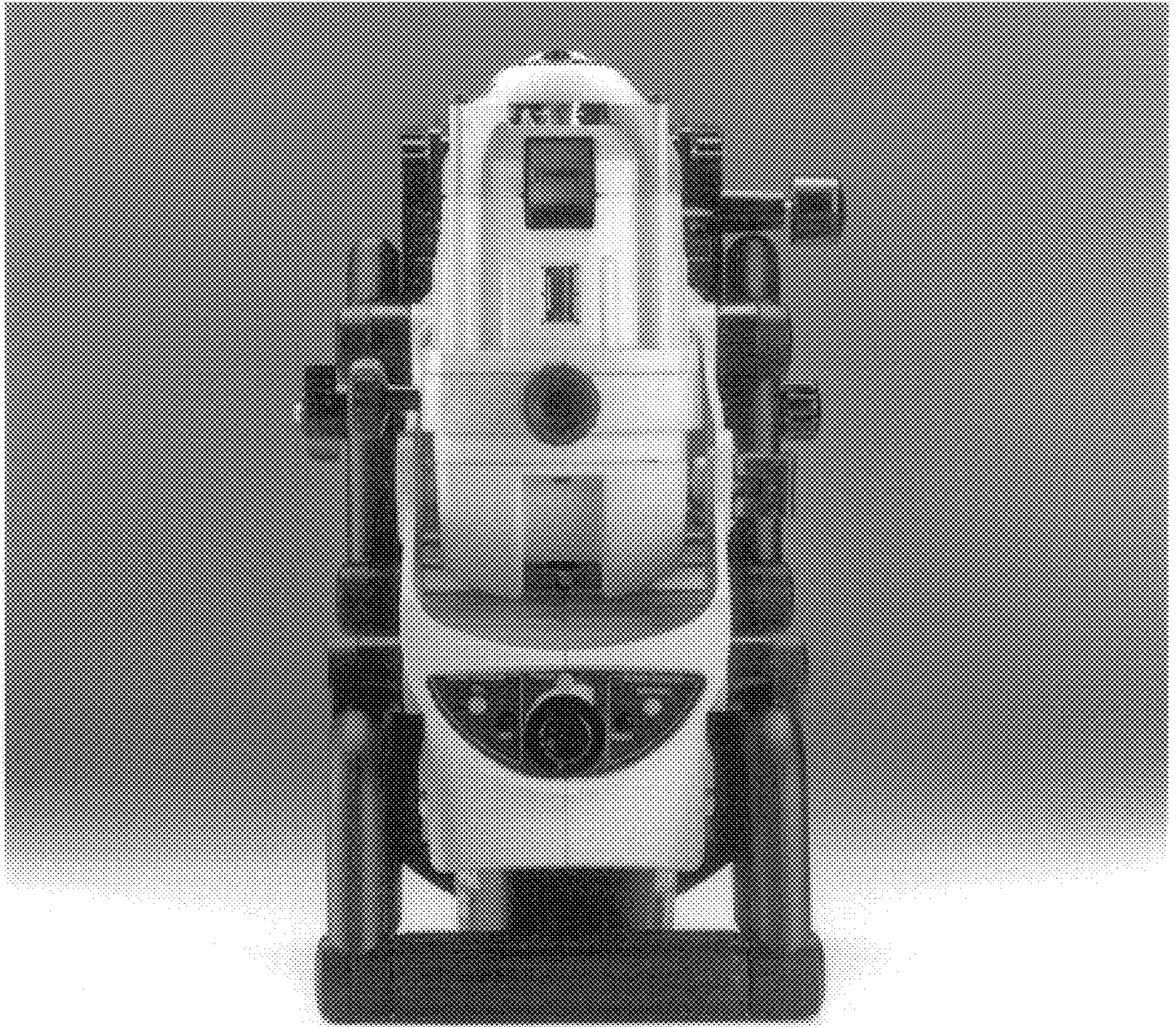


FIG. 16

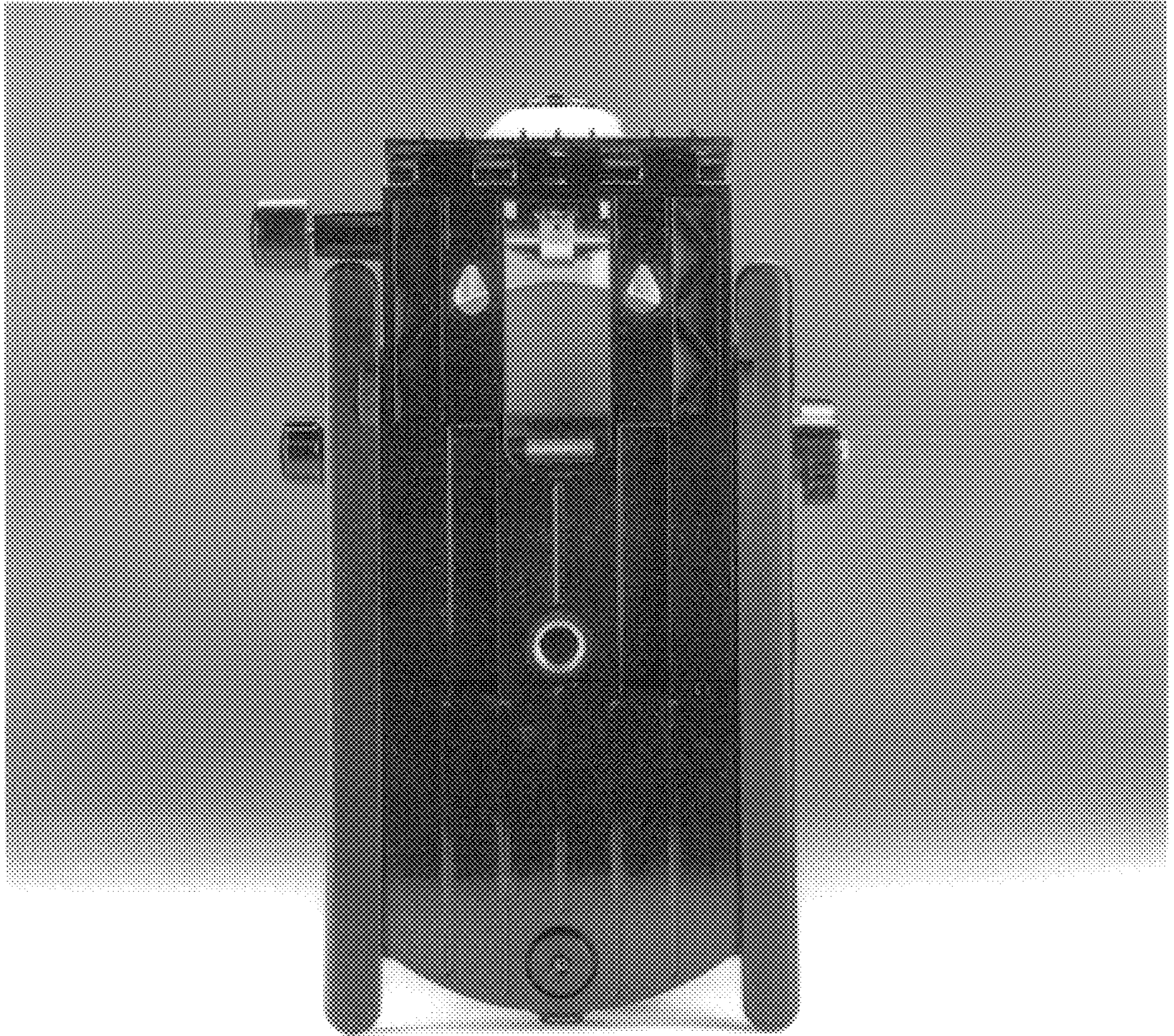


FIG. 17

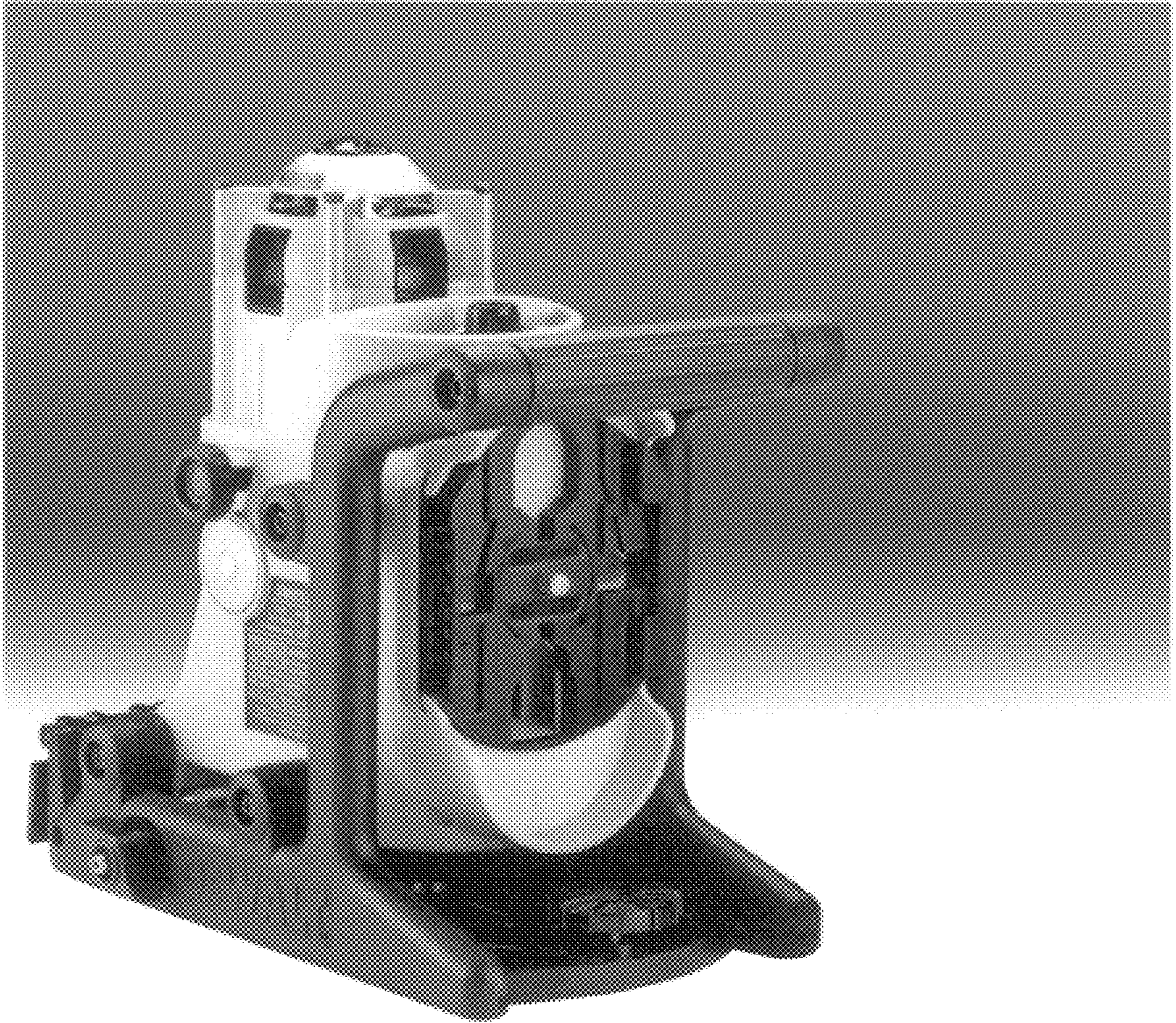


FIG. 18

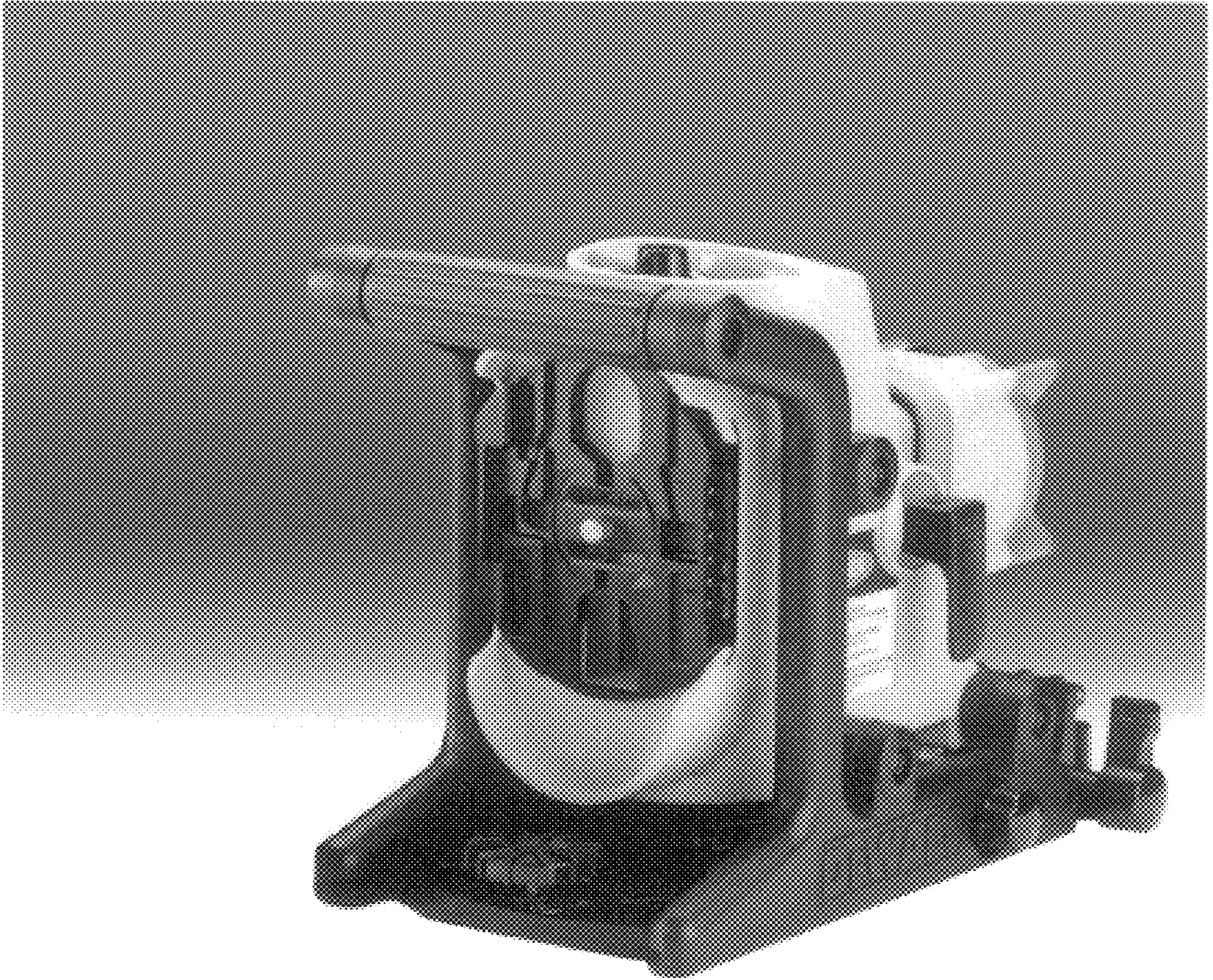


FIG. 19