



US00D476583S

(12) **United States Design Patent**
Bailey

(10) **Patent No.:** **US D476,583 S**

(45) **Date of Patent:** **** Jul. 1, 2003**

(54) **HARDWARE SIZING TOOL**

(75) Inventor: **Brian T. Bailey**, Tucson, AZ (US)

(73) Assignee: **Lloyd T. Bailey**, Tucson, AR (US)

(**) Term: **14 Years**

(21) Appl. No.: **29/166,629**

(22) Filed: **Aug. 30, 2002**

(51) **LOC (7) Cl.** **10-04**

(52) **U.S. Cl.** **D10/64**

(58) **Field of Search** D10/64; D15/147;
33/555.1, 555.2, 562, 563

(56) **References Cited**

U.S. PATENT DOCUMENTS

D278,691 S * 5/1985 Sorrell D10/64

* cited by examiner

Primary Examiner—Antoine Duval Davis

(74) *Attorney, Agent, or Firm*—Peter B. Goldman

(57) **CLAIM**

The ornamental design for an hardware sizing tool, as shown and described.

DESCRIPTION

The ornamental design for an improved device for measuring the size of hardware and metal fasteners, including by way of illustration only nuts, bolts, washers, and screws.

FIG. 1 is a top plan view of a hardware sizing tool in accordance with the invention;

FIG. 2 is a front elevation thereof;

FIG. 3 is a right side elevation thereof;

FIG. 4 is a left side elevation thereof;

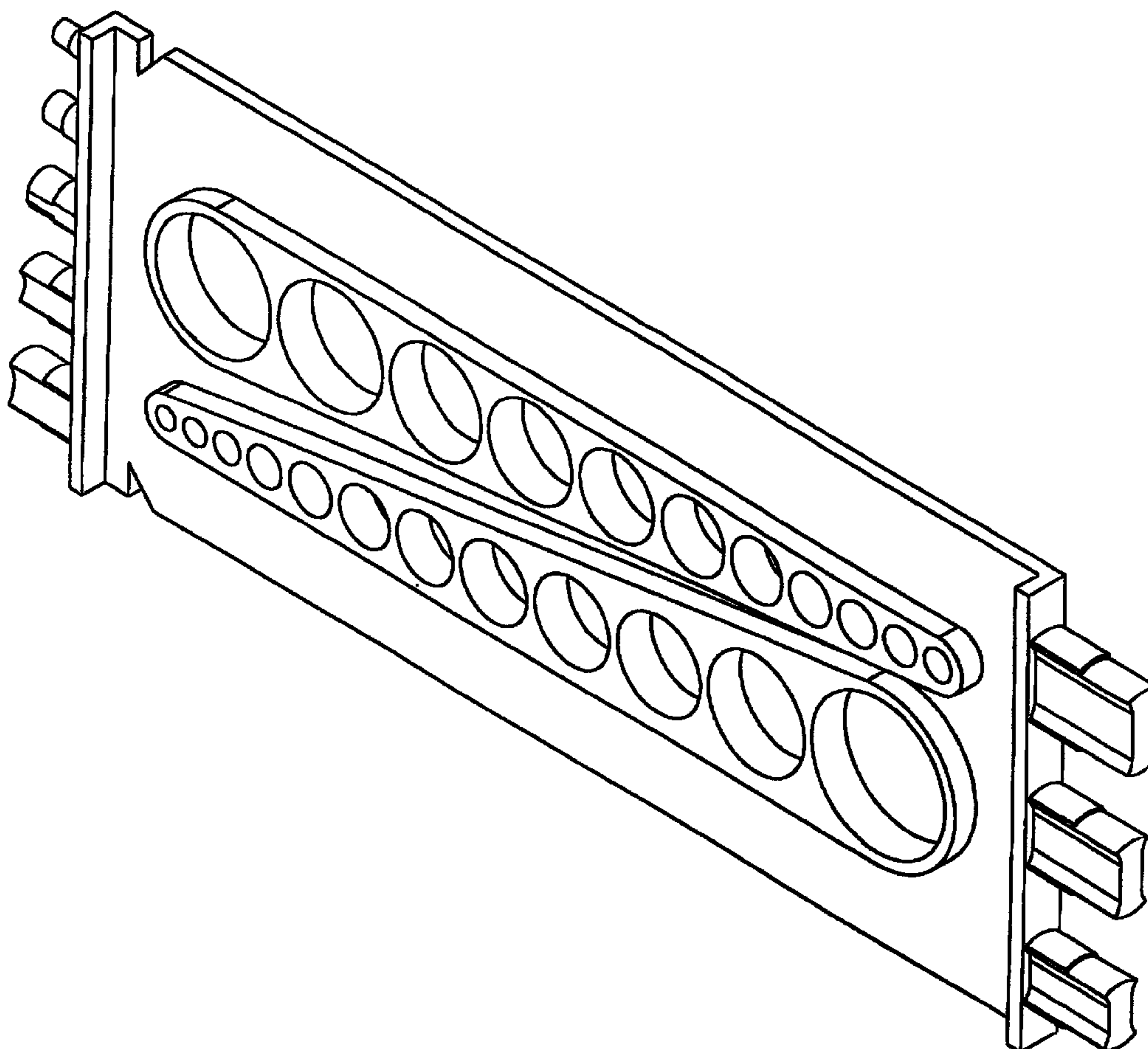
FIG. 5 is a bottom plan view of the sizing tool of FIG. 1;

FIG. 6 is a top perspective view of the sizing tool of FIG. 1; and,

FIG. 7 is a bottom perspective view of the sizing tool of FIG. 1.

The improvements over the prior art permit a wider range of measurement and sizing of hardware, and in particular of fasteners of smaller dimensions than currently may be measured by other sizing tools. The improvements also permit the metric measurement of flathead, wood and sheet metal screws.

1 Claim, 4 Drawing Sheets



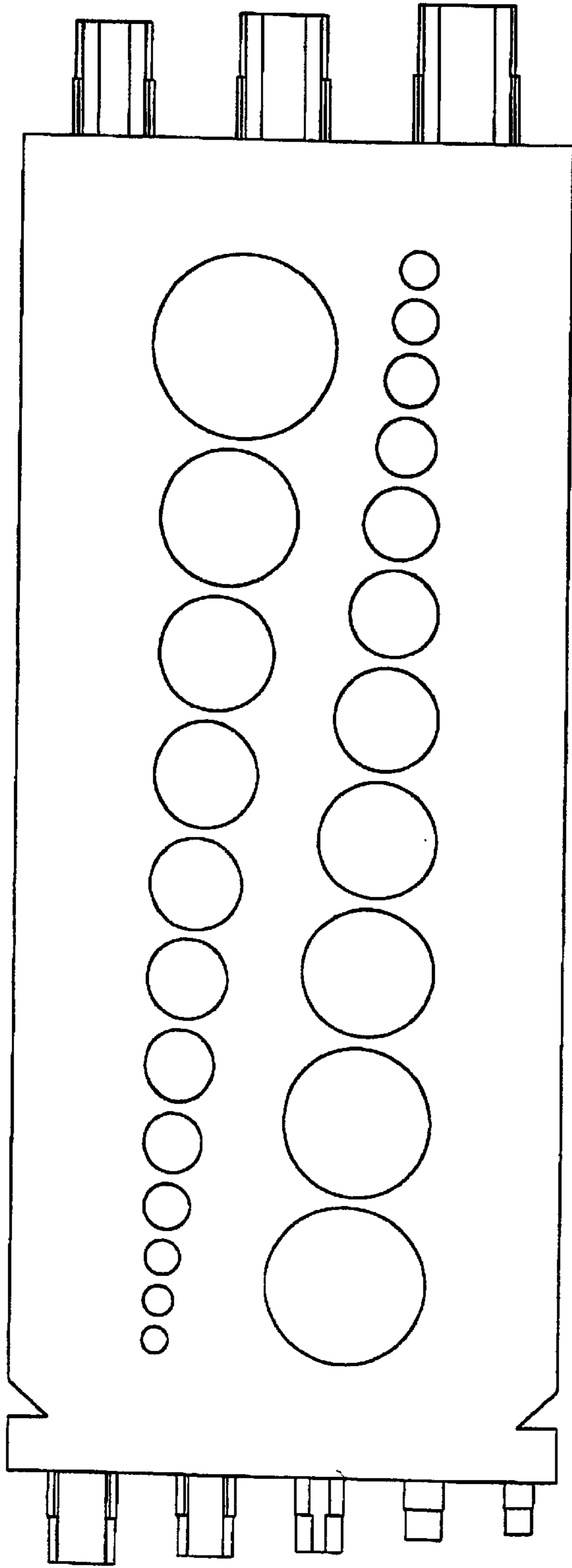


Fig. 1

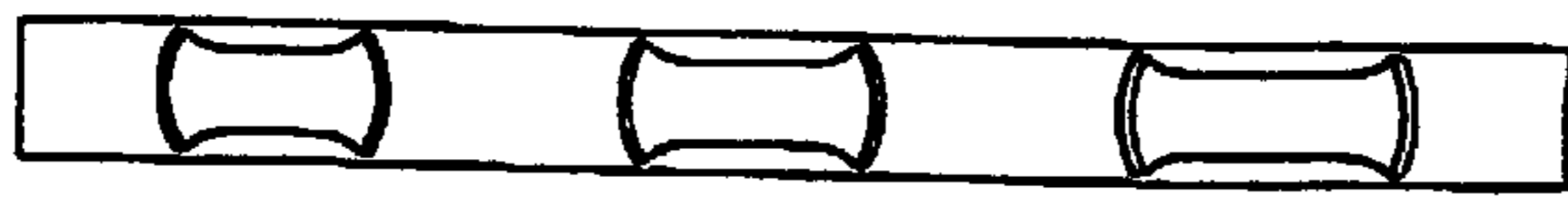


Fig. 3

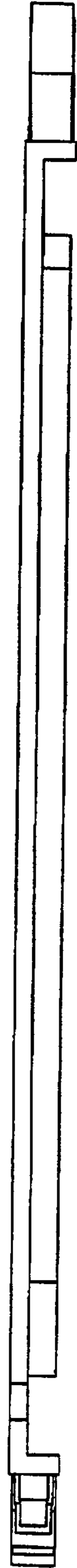


Fig. 2

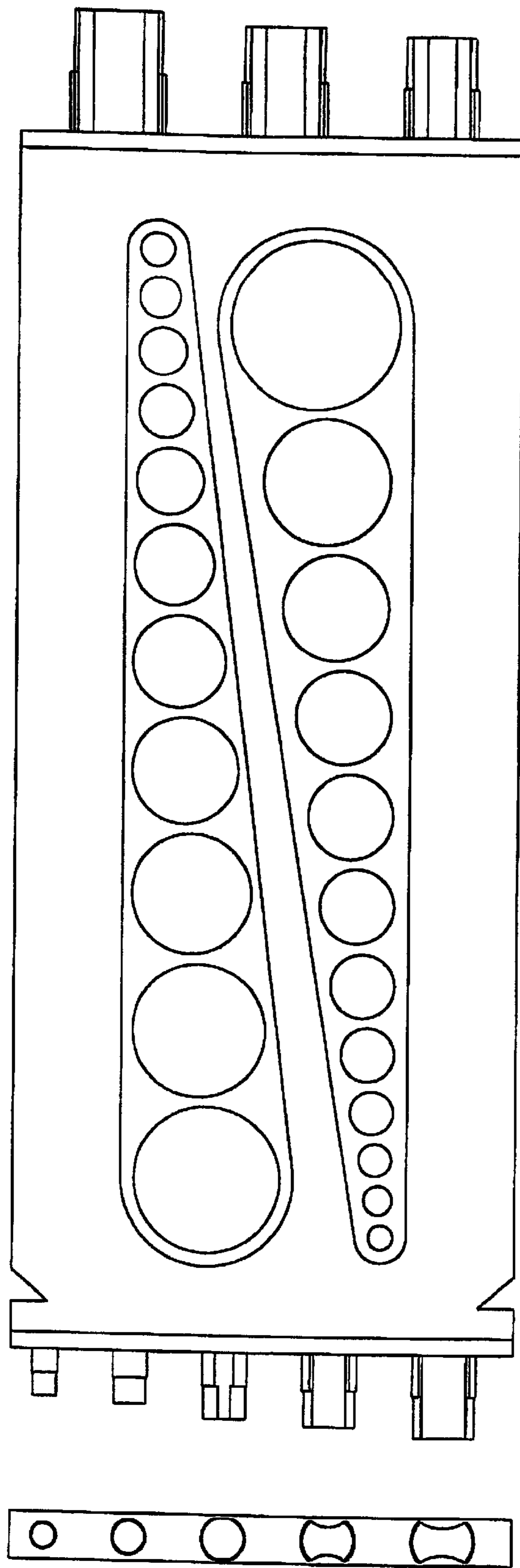


Fig. 5

Fig. 4

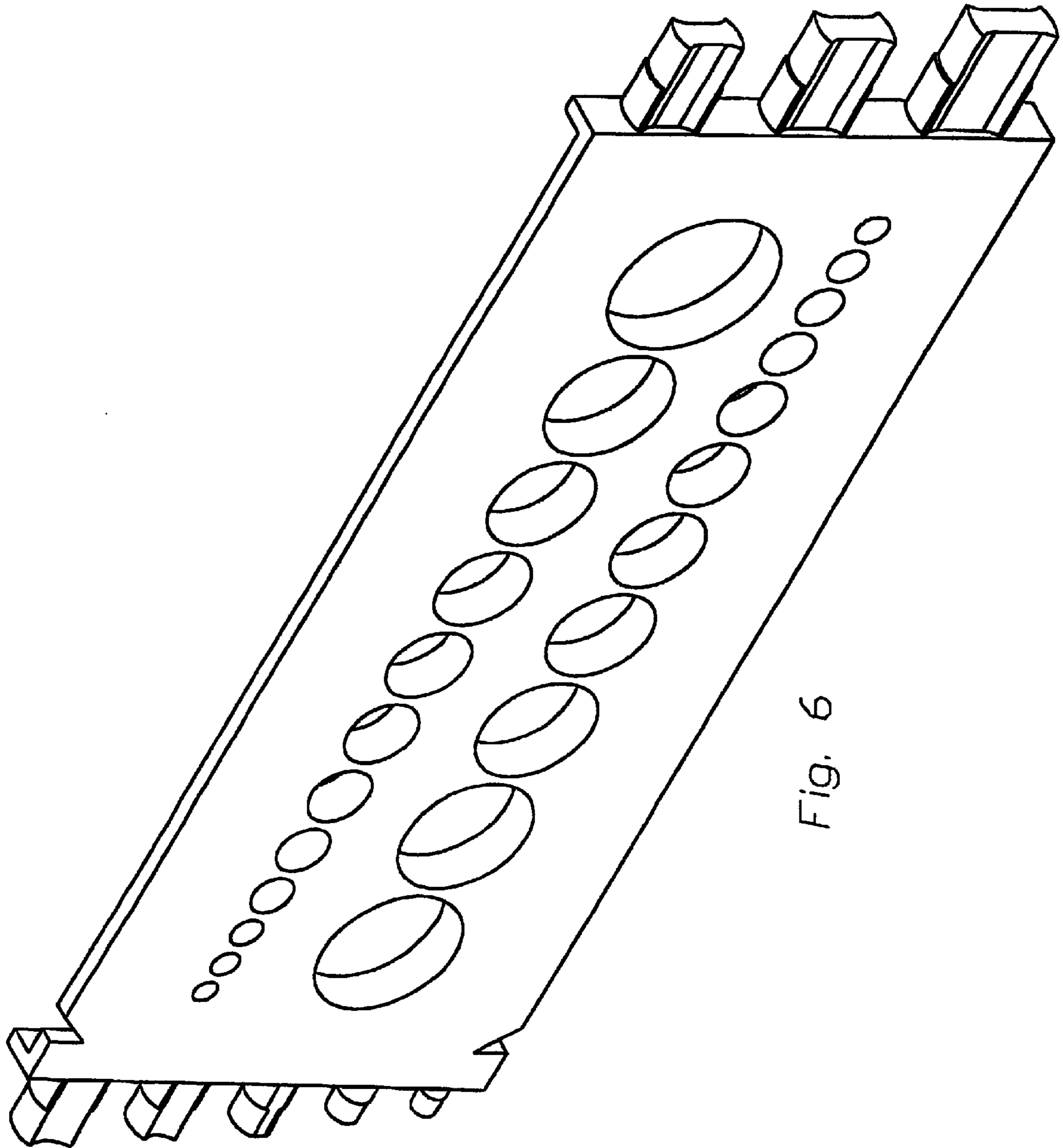


Fig. 6

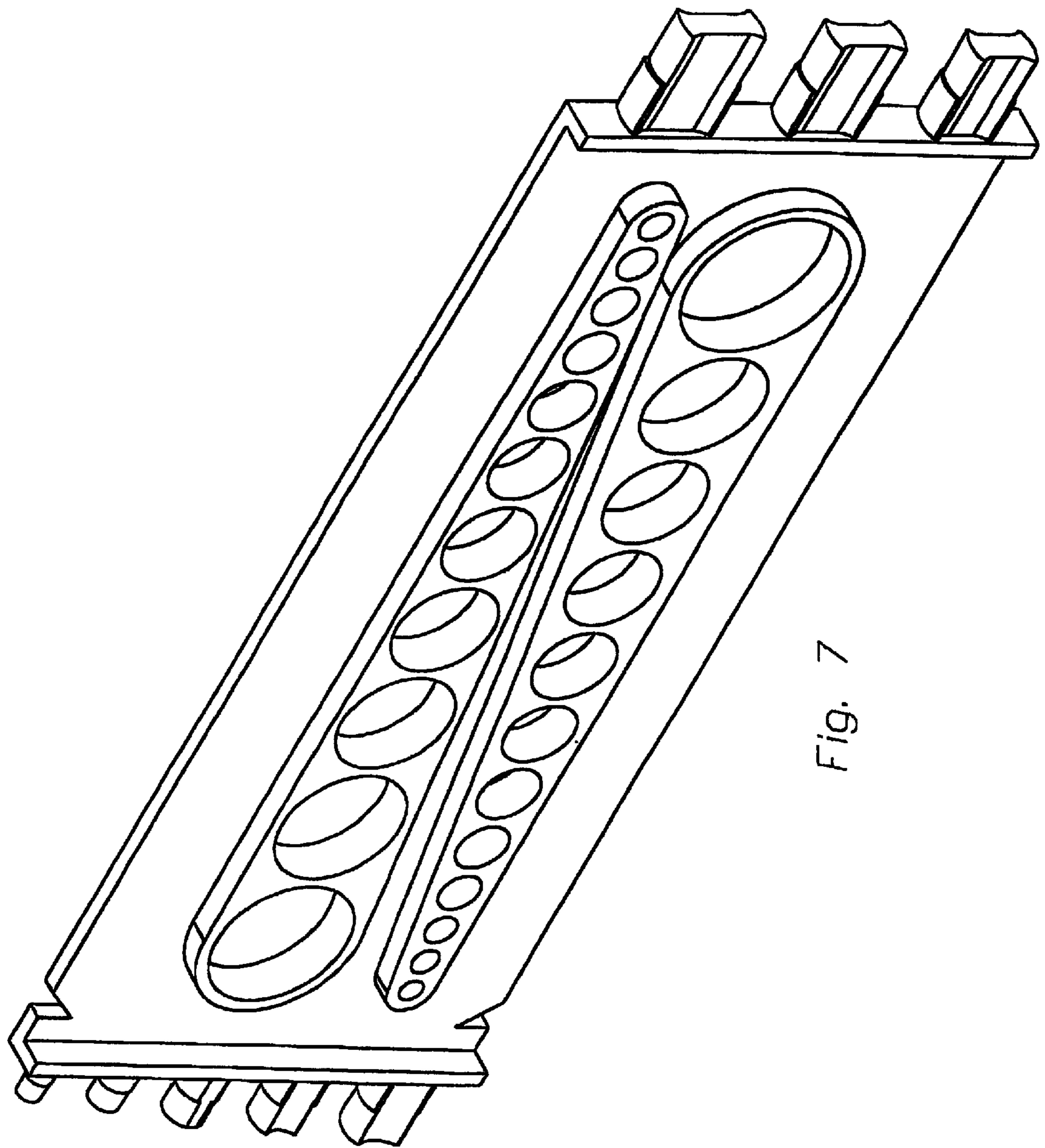


Fig. 7