



US00D476572S

(12) **United States Design Patent**
Merritt

(10) **Patent No.:** **US D476,572 S**

(45) **Date of Patent:** **** Jul. 1, 2003**

(54) **CONTAINER**

(75) **Inventor:** **Ross Merritt**, Northbrook, IL (US)

(73) **Assignee:** **Logo Images, L.L.C.**, Deerfield, IL (US)

(**) **Term:** **14 Years**

(21) **Appl. No.:** **29/154,062**

(22) **Filed:** **Jan. 17, 2002**

(51) **LOC (7) Cl.** **09-01**

(52) **U.S. Cl.** **D9/504; D28/82; D9/558; D9/575**

(58) **Field of Search** D9/500, 502-505, D9/516, 529, 549, 551, 558, 564, 574-575; D28/76, 78, 82; 132/293-307, 314-317; 206/235, 581, 823; 215/215, 235, 236, 244, 258, 334-338

(56) **References Cited**

U.S. PATENT DOCUMENTS

D10,751 S	*	7/1878	Ziegler	D9/503
D28,413 S	*	3/1898	Taite	D9/504
1,103,859 A	*	7/1914	Austin	220/4.21
1,356,662 A	*	10/1920	Sherman	206/582
1,482,786 A	*	2/1924	Dodson	132/303
D118,920 S	*	2/1940	Trevisan	D9/504
5,205,431 A	*	4/1993	Zinnbauer	D28/82 X
5,246,133 A	*	9/1993	James	220/377
D367,902 S	*	3/1996	Silk	D21/710

D373,220 S	*	8/1996	Lund et al.	D28/77
D398,079 S	*	9/1998	Denison	D28/82
D402,412 S	*	12/1998	Thorpe	D28/82
D420,172 S	*	2/2000	Thorpe	D28/82
D426,772 S	*	6/2000	Kahl	D9/449
H1855 H	*	8/2000	Litton et al.	D28/82
D433,190 S	*	10/2000	Finocchiaro et al.	D28/76
D449,410 S	*	10/2001	Rodriguez et al.	D28/82

* cited by examiner

Primary Examiner—Ted Shooman

Assistant Examiner—Carol Rademaker

(74) *Attorney, Agent, or Firm*—Knechtel, Demeur, & Samlan

(57) **CLAIM**

I claim the ornamental design for a container, as shown and described.

DESCRIPTION

FIG. 1 is a perspective view of the container with the container resting on its bottom.

FIG. 2 is a right side view.

FIG. 3 is a top plan view.

FIG. 4 is a left end view.

FIG. 5 is a bottom view.

FIG. 6 is a front elevation view with the rear elevation view being a mirror image thereof; and,

FIG. 7 is a perspective view with the cover of the container in the open position.

1 Claim, 1 Drawing Sheet

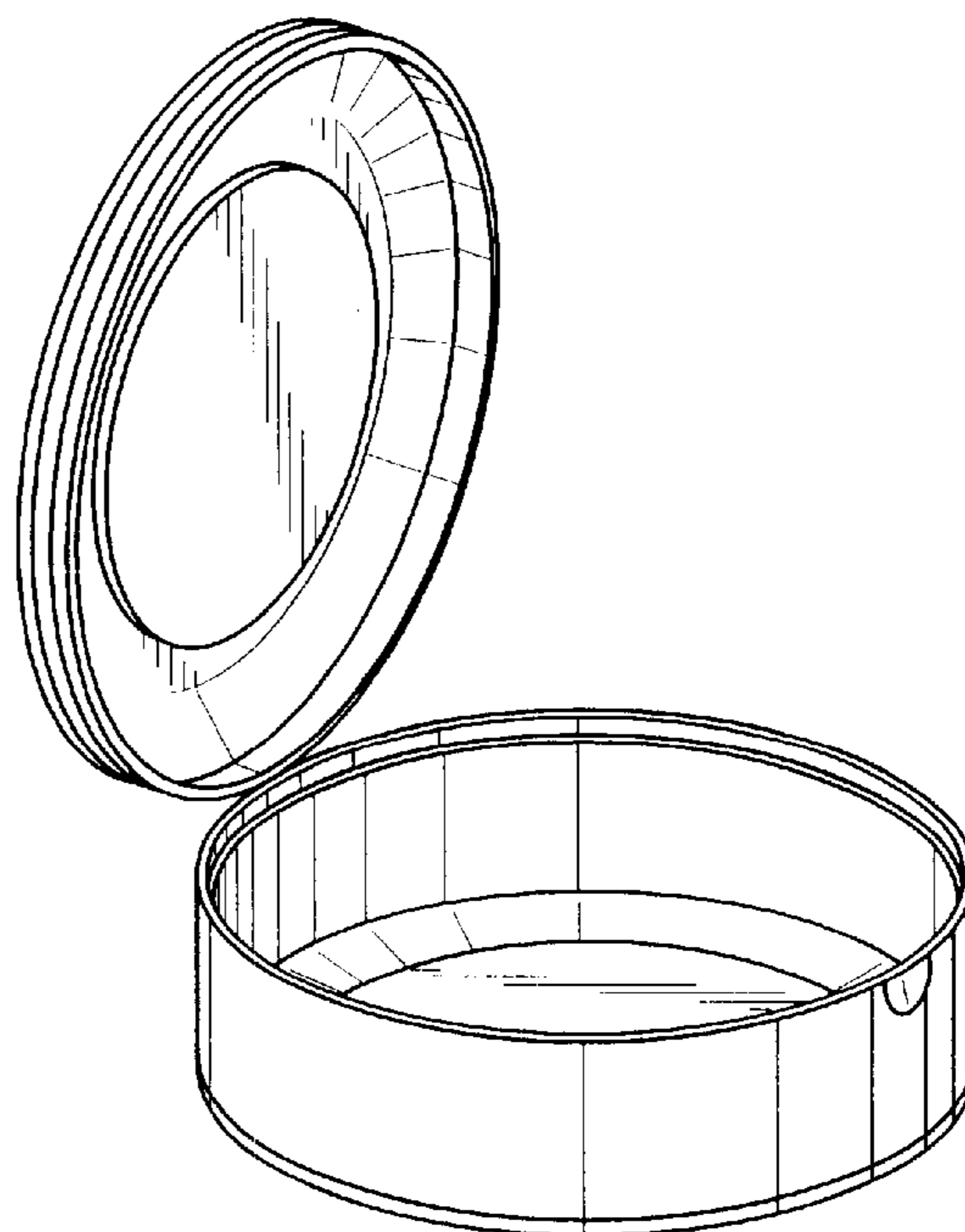
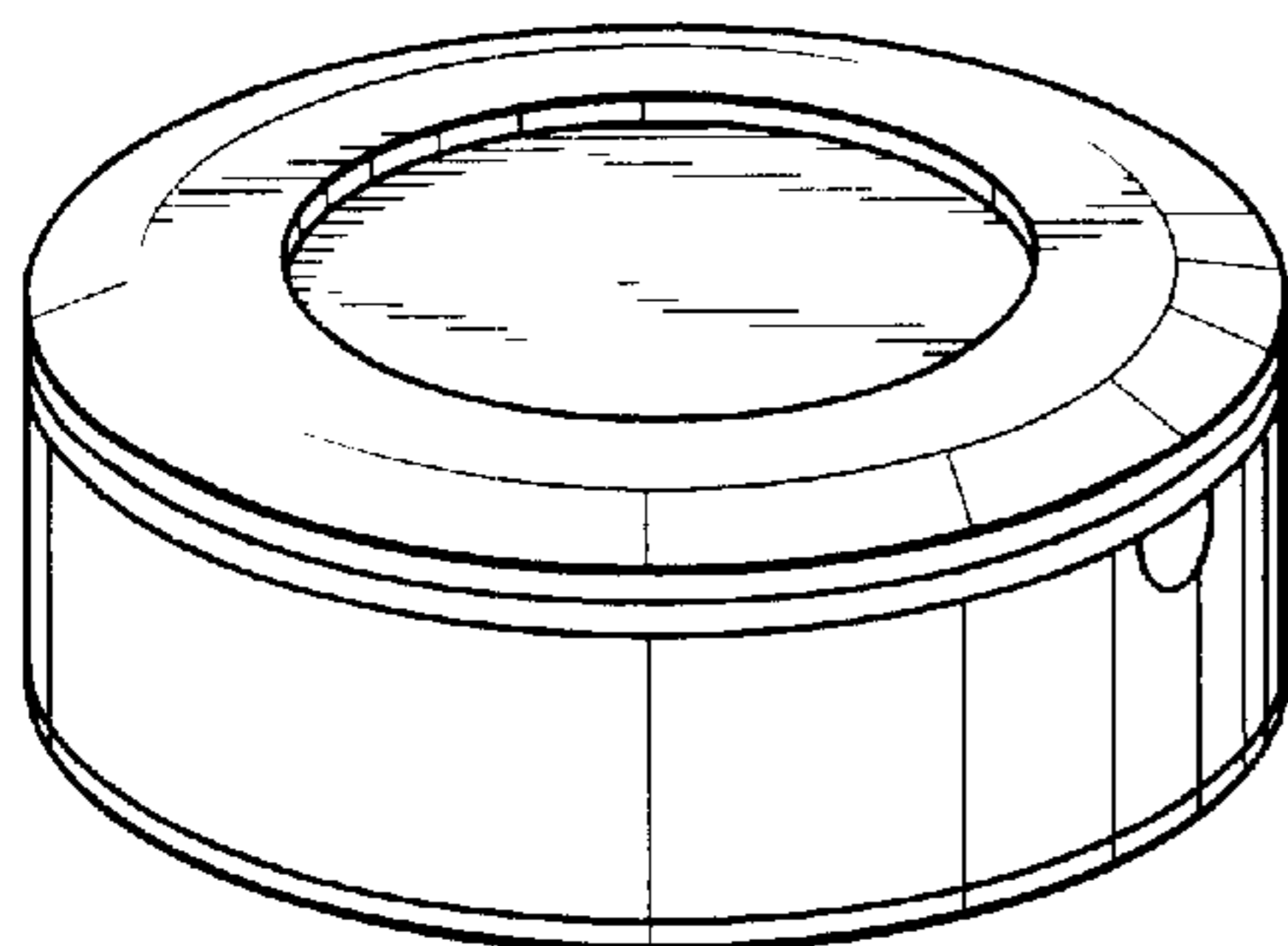


Fig. 1

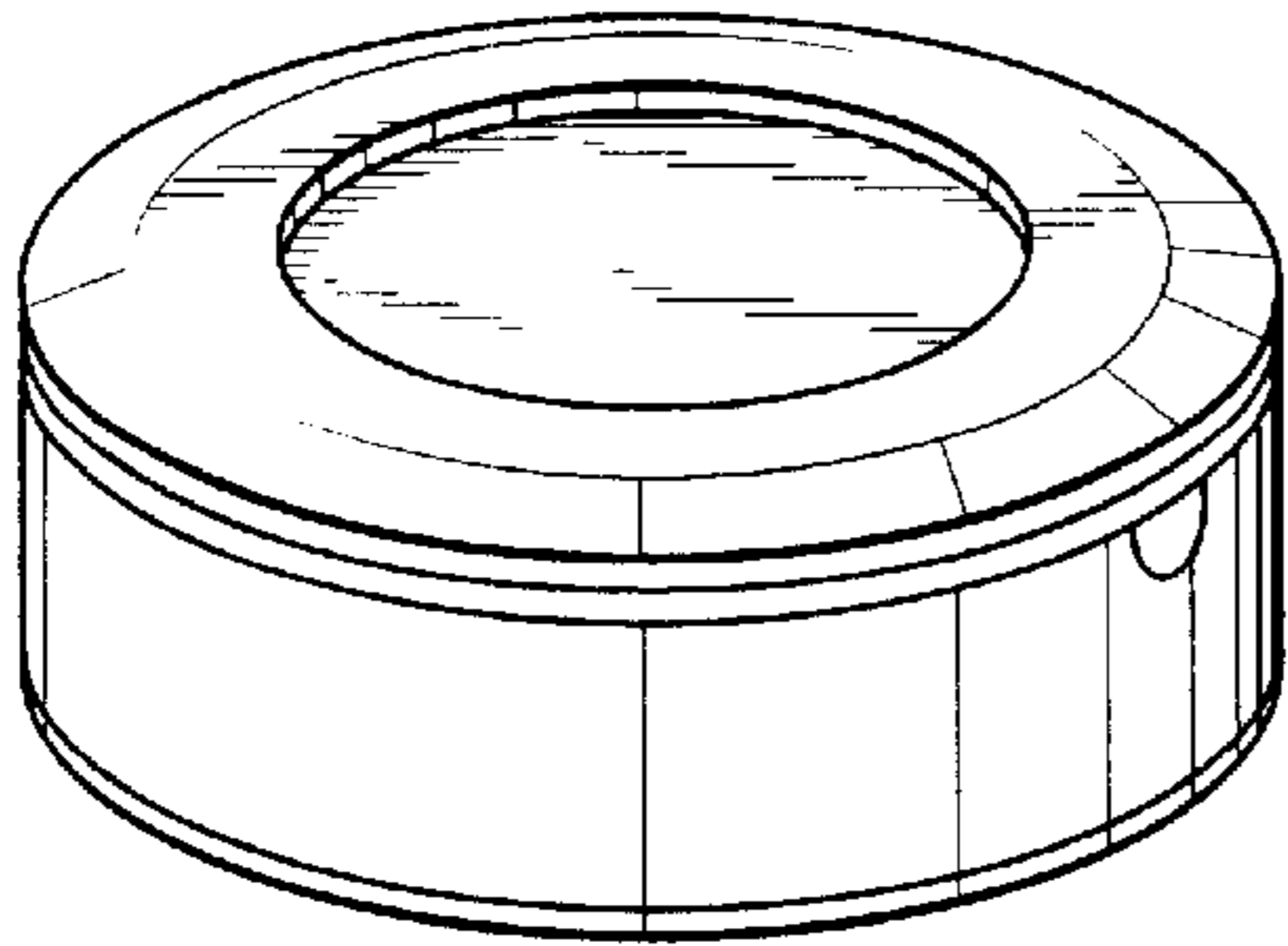


Fig. 4

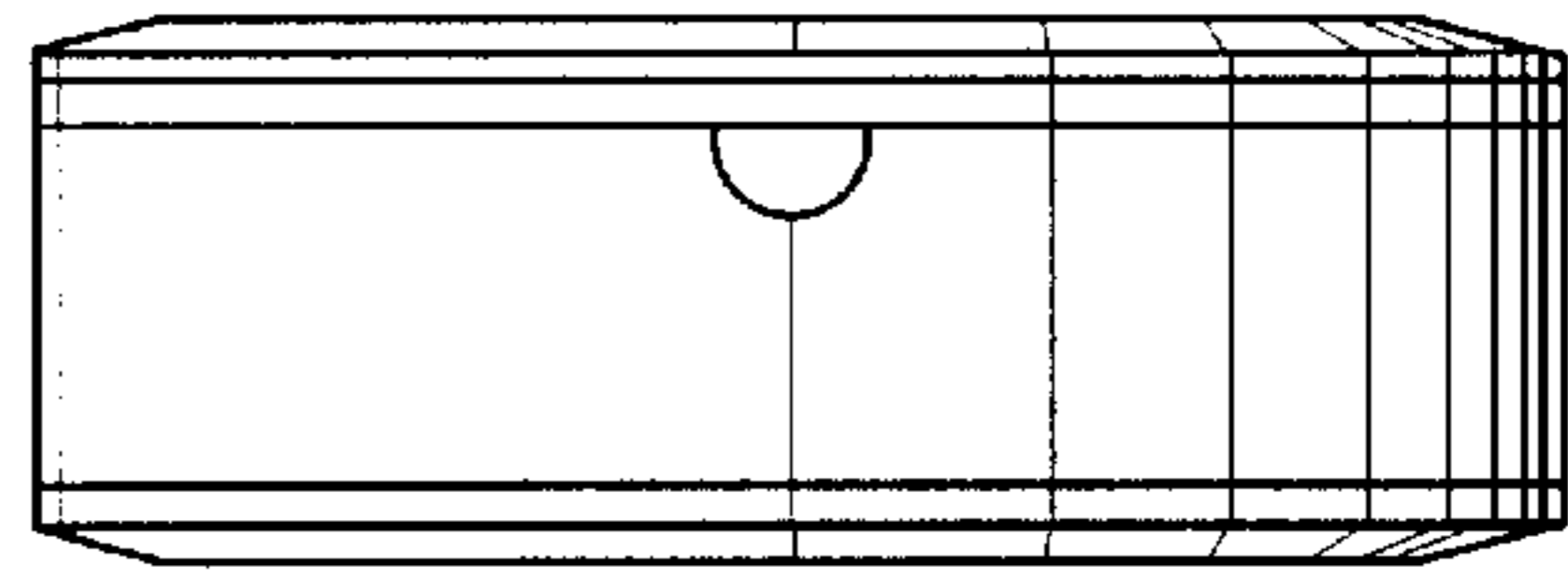


Fig. 2

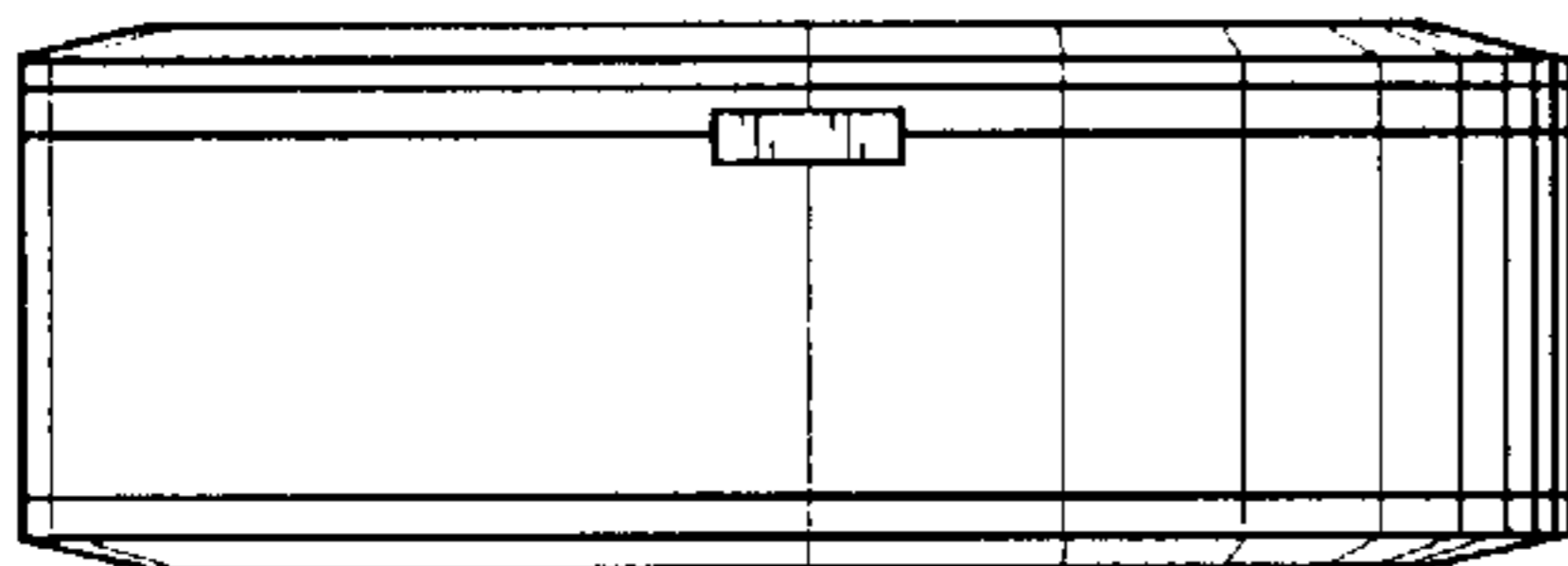


Fig. 5

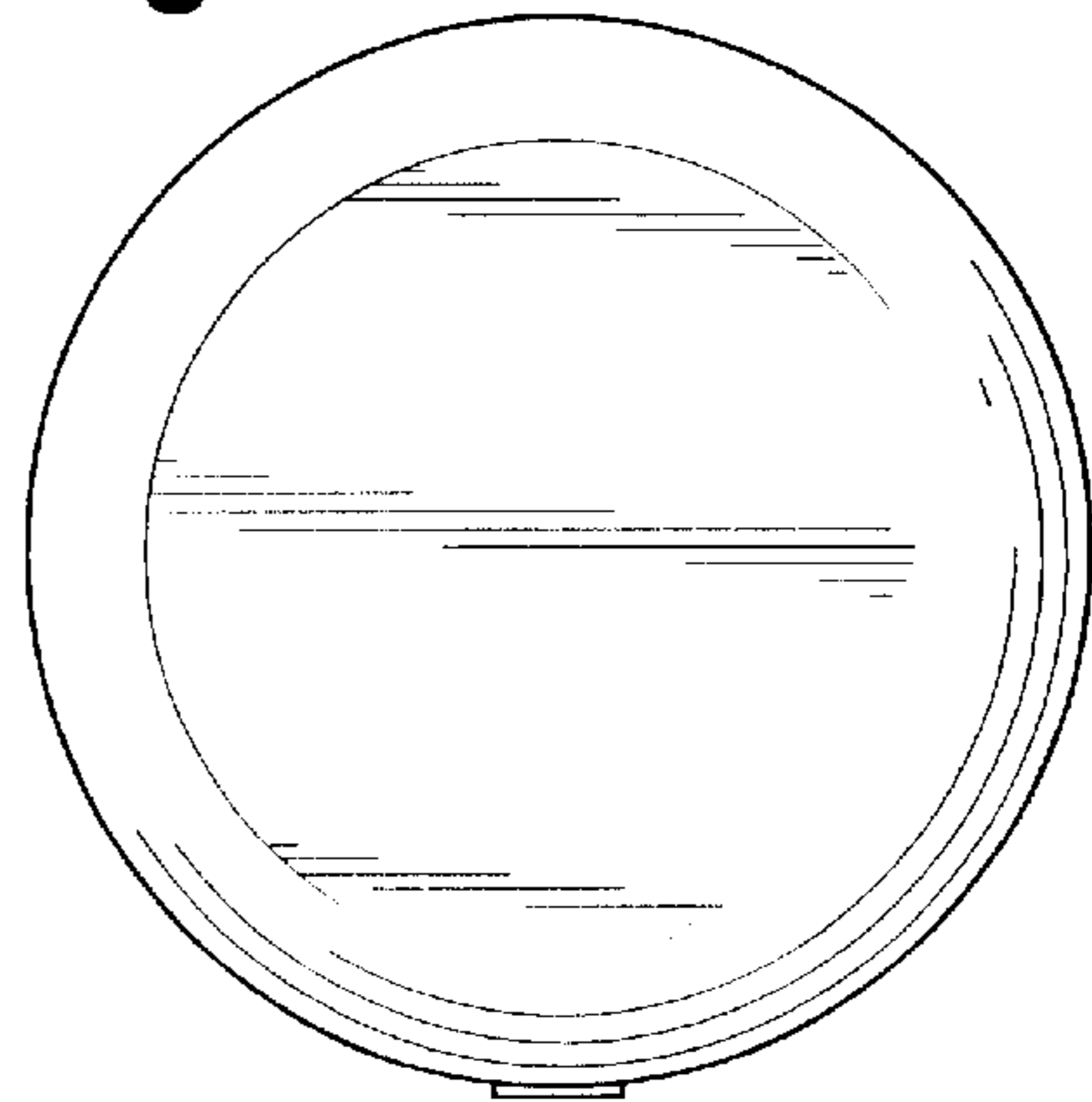


Fig. 6

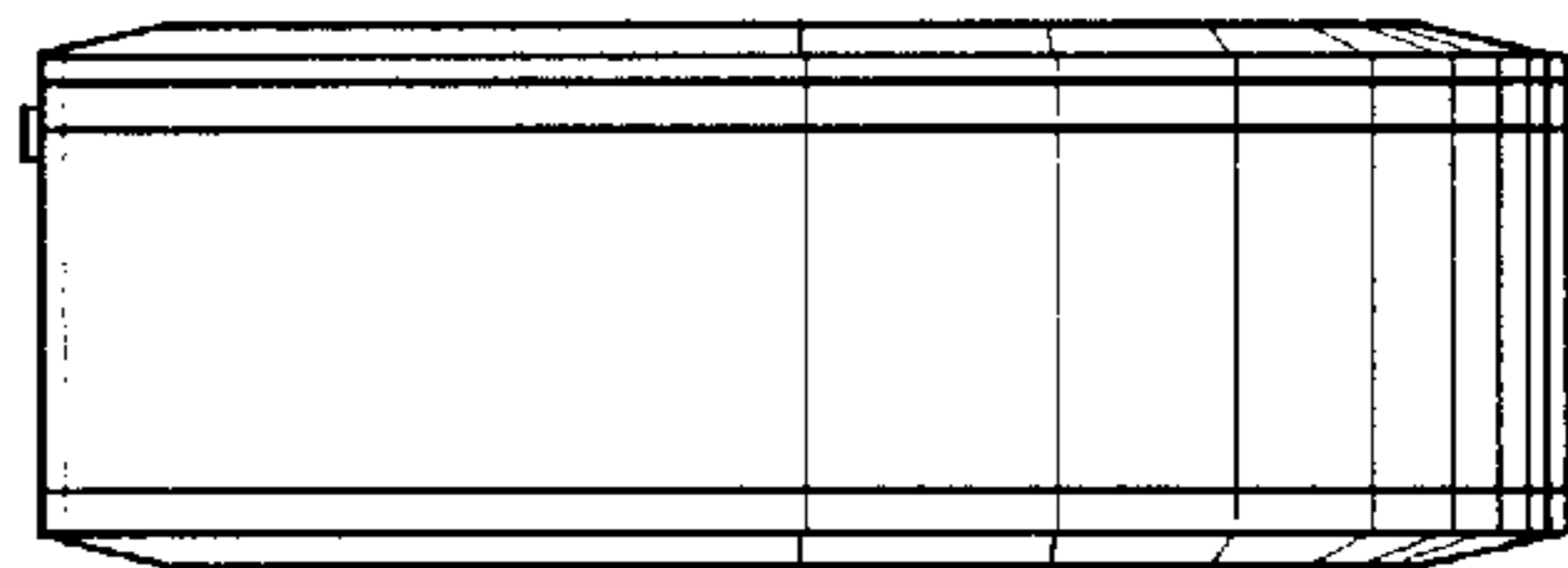


Fig. 3

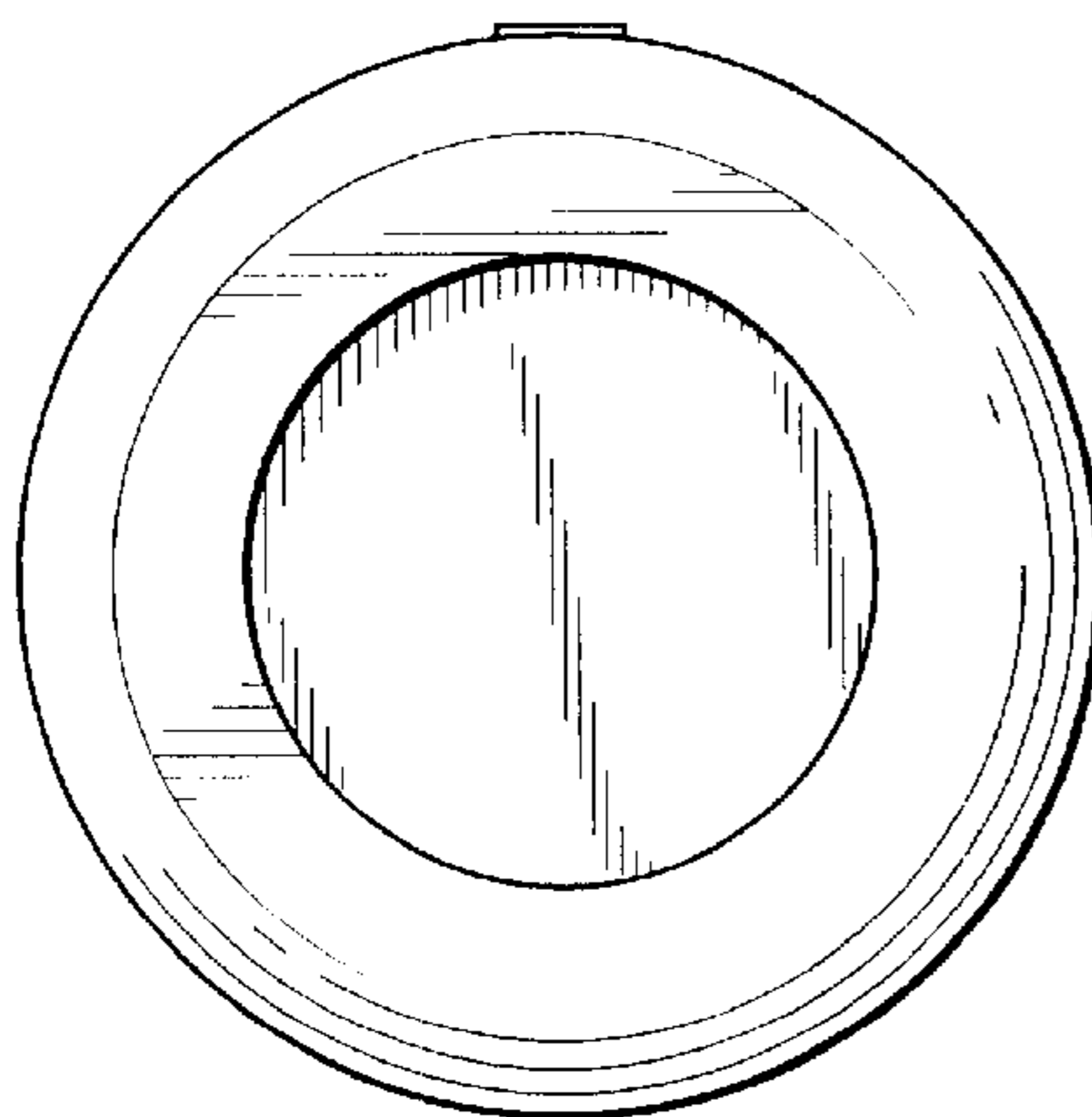


Fig. 7

