



US00D476569S

(12) **United States Design Patent**
Simkins

(10) **Patent No.:** **US D476,569 S**

(45) **Date of Patent:** **** Jul. 1, 2003**

(54) **BOTTLE ATTACHMENT CLIP**

(75) Inventor: **Nelson Simkins**, Rittman, OH (US)

(73) Assignee: **Joseph S. Kanfer**, Richfield, OH (US)

(**) Term: **14 Years**

(21) Appl. No.: **29/160,180**

(22) Filed: **May 7, 2002**

(51) **LOC (7) Cl.** **09-07**

(52) **U.S. Cl.** **D9/455**

(58) **Field of Search** D9/434, 435, 455;
D8/395; D7/619; 215/386, 390; 40/310,
311

(56) **References Cited**

U.S. PATENT DOCUMENTS

973,731 A	*	10/1910	Watkins	40/310
1,417,282 A	*	5/1922	Senio	215/386
1,478,896 A	*	12/1923	Ferency	40/310
1,910,013 A	*	5/1933	Hansen	40/310

D363,017 S	*	10/1995	Noble	D9/434
D431,466 S	*	10/2000	Wang	D9/434
D460,669 S	*	7/2002	Cizek	D9/443

* cited by examiner

Primary Examiner—Louis S. Zarfes

Assistant Examiner—Gregory Andoll

(74) *Attorney, Agent, or Firm*—Reese Taylor

(57) **CLAIM**

I claim the ornamental design for bottle attachment clip, as shown and described.

DESCRIPTION

FIG. 1 is a perspective view showing my new design for a bottle attachment clip;

FIG. 2 is top plan view thereof;

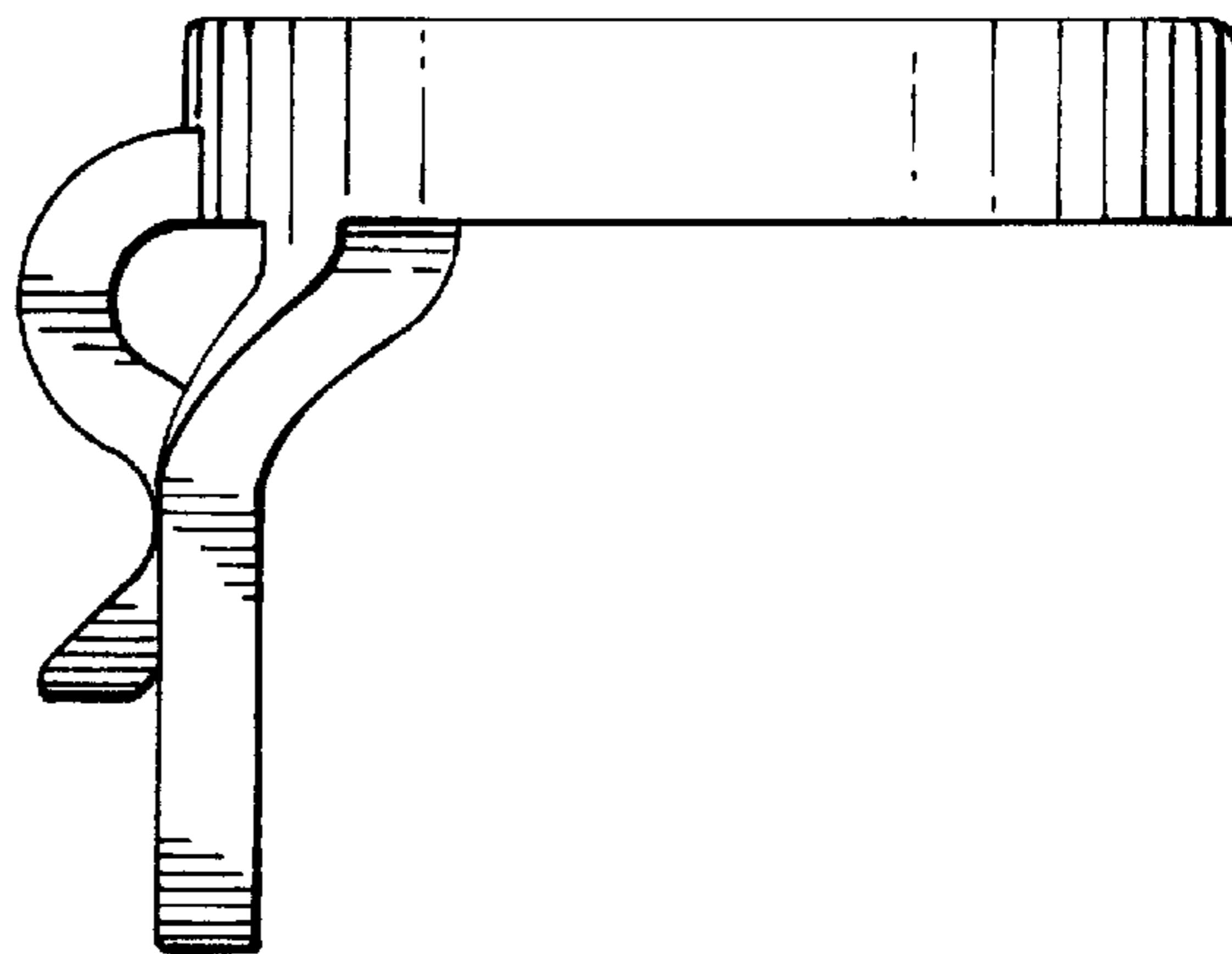
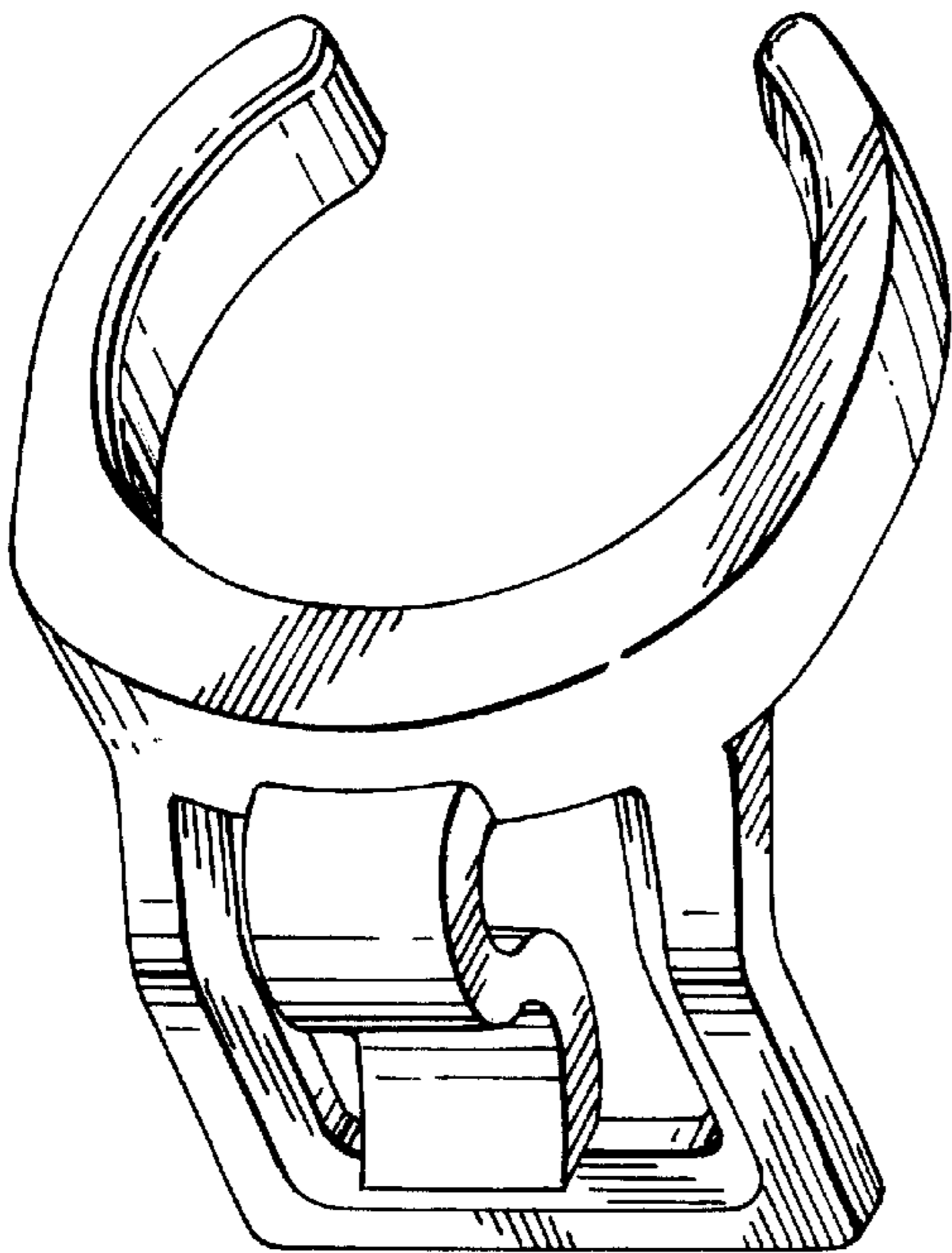
FIG. 3 is a front elevational view thereof;

FIG. 4 is a side elevational view thereof taken from the right of FIG. 3, the opposed side being a mirror image thereof;

FIG. 5 is a rear elevational view thereof; and,

FIG. 6 is a bottom plan thereof.

1 Claim, 2 Drawing Sheets



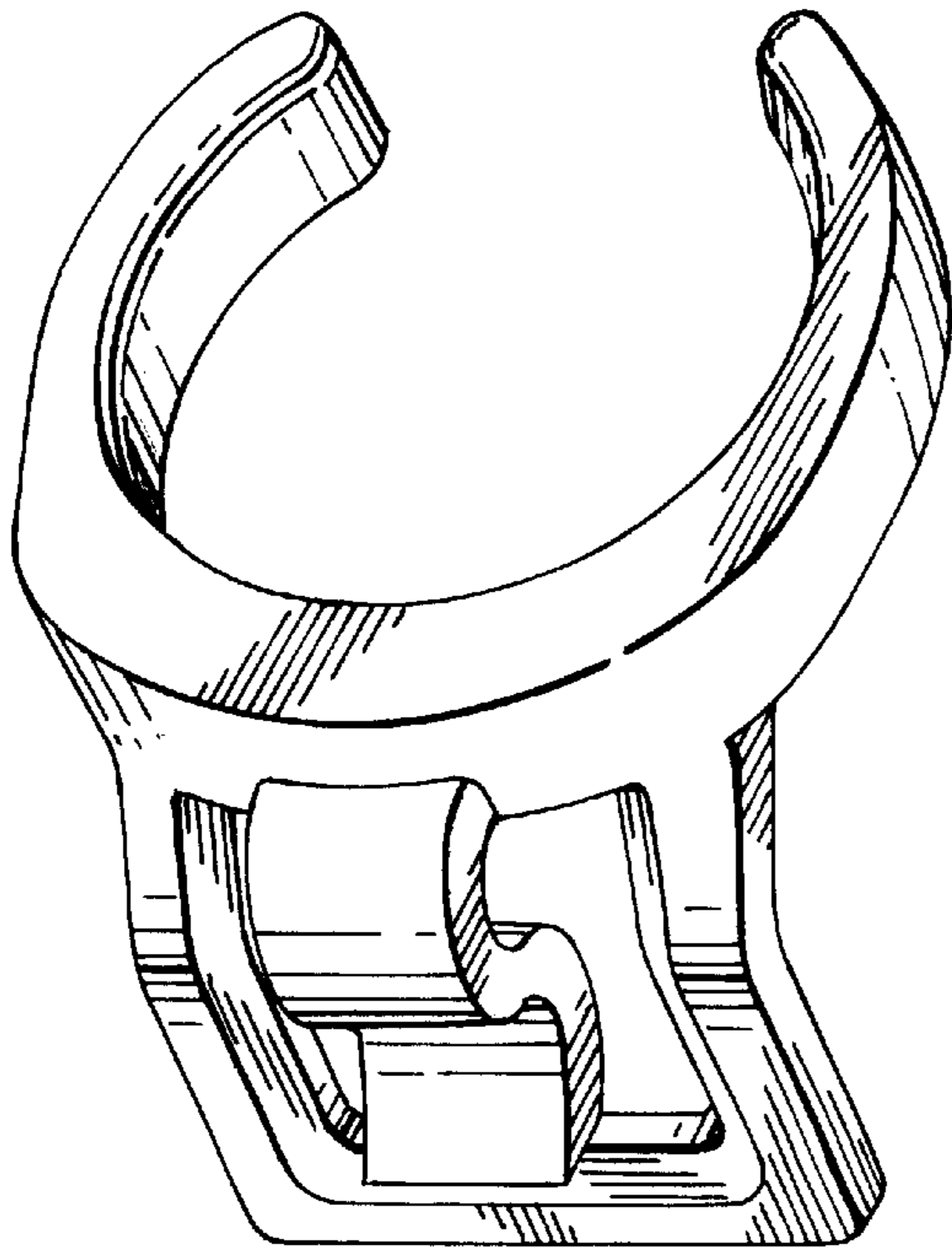


FIG. 1

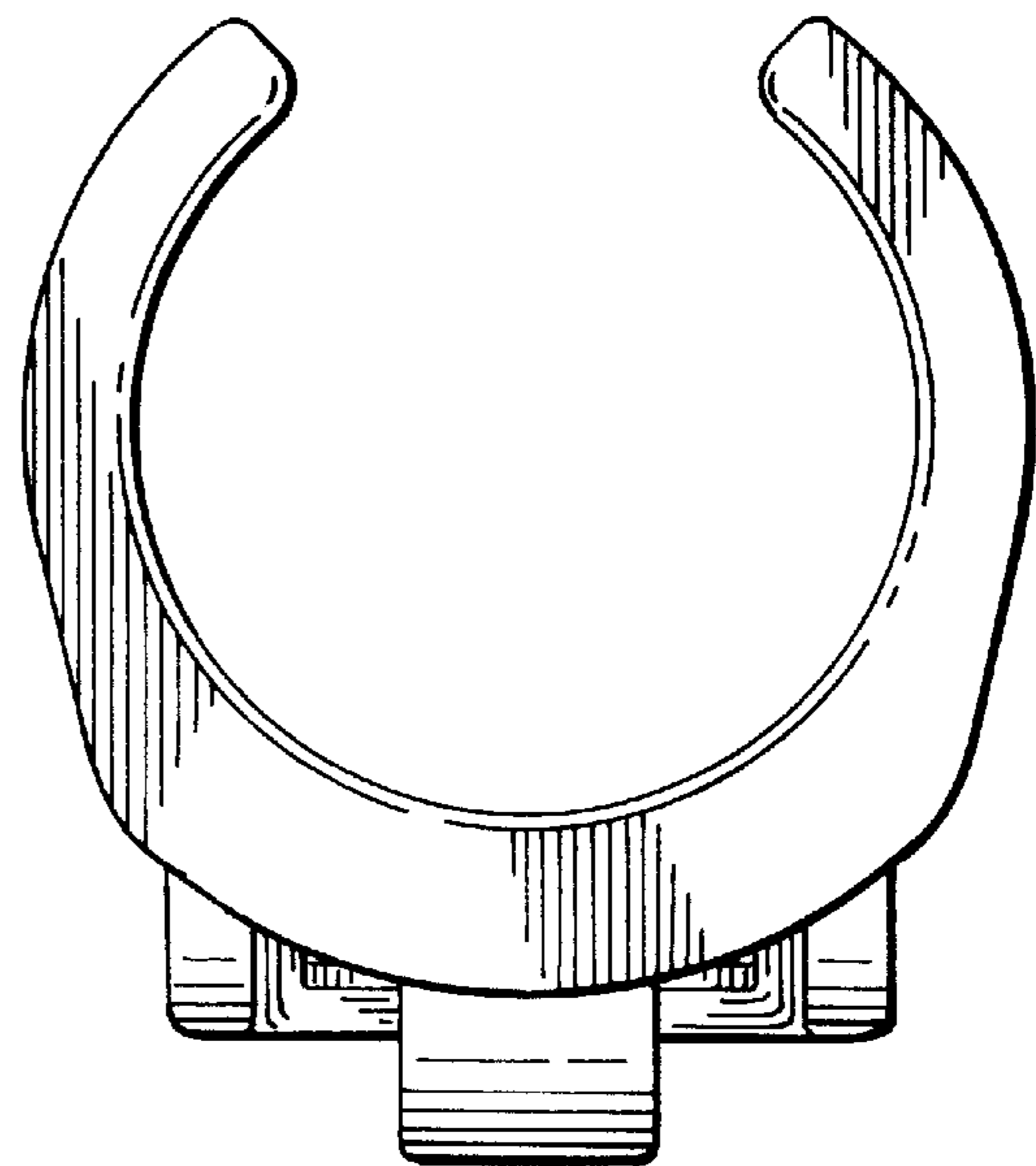


FIG. 2

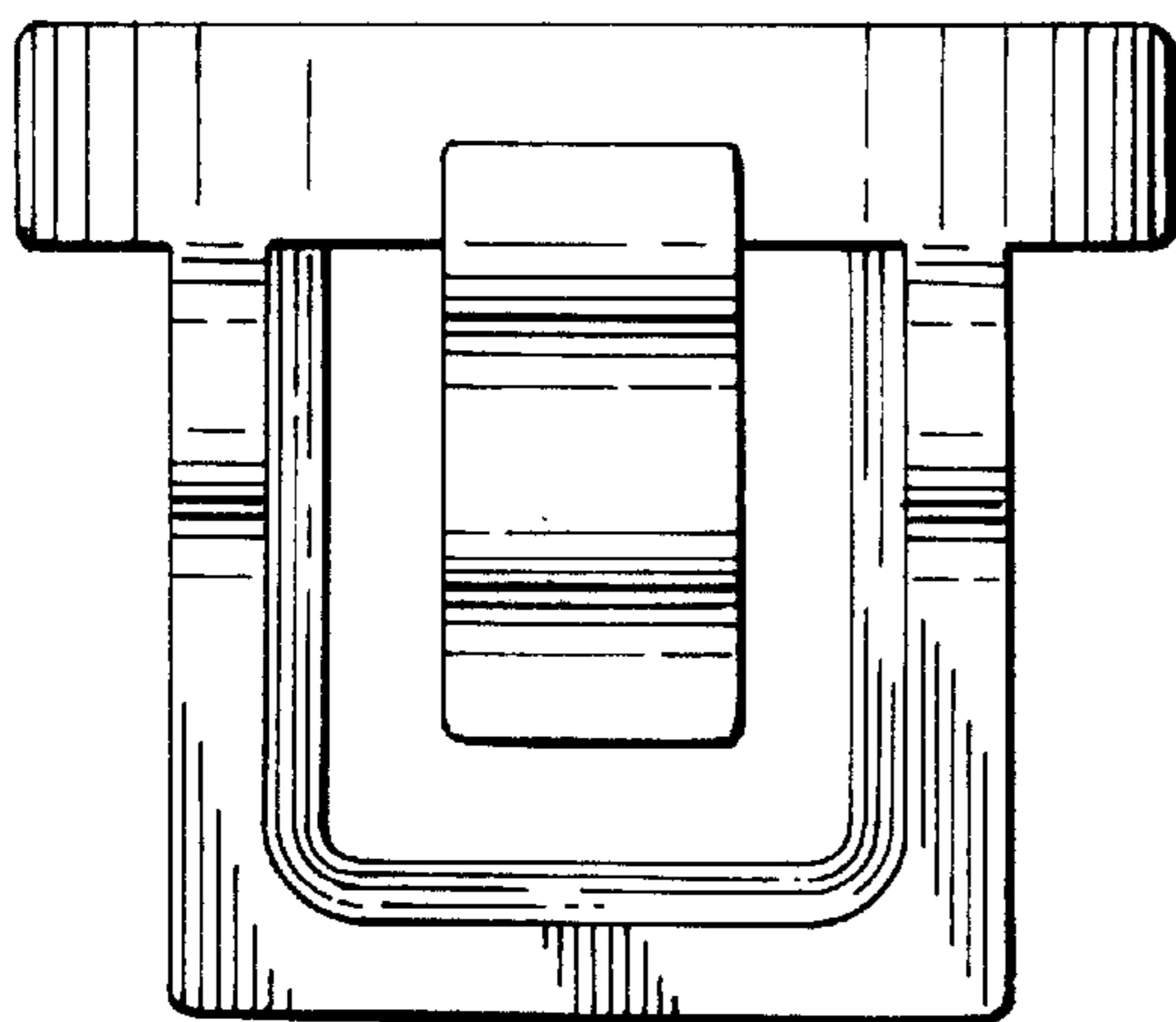


FIG. 3

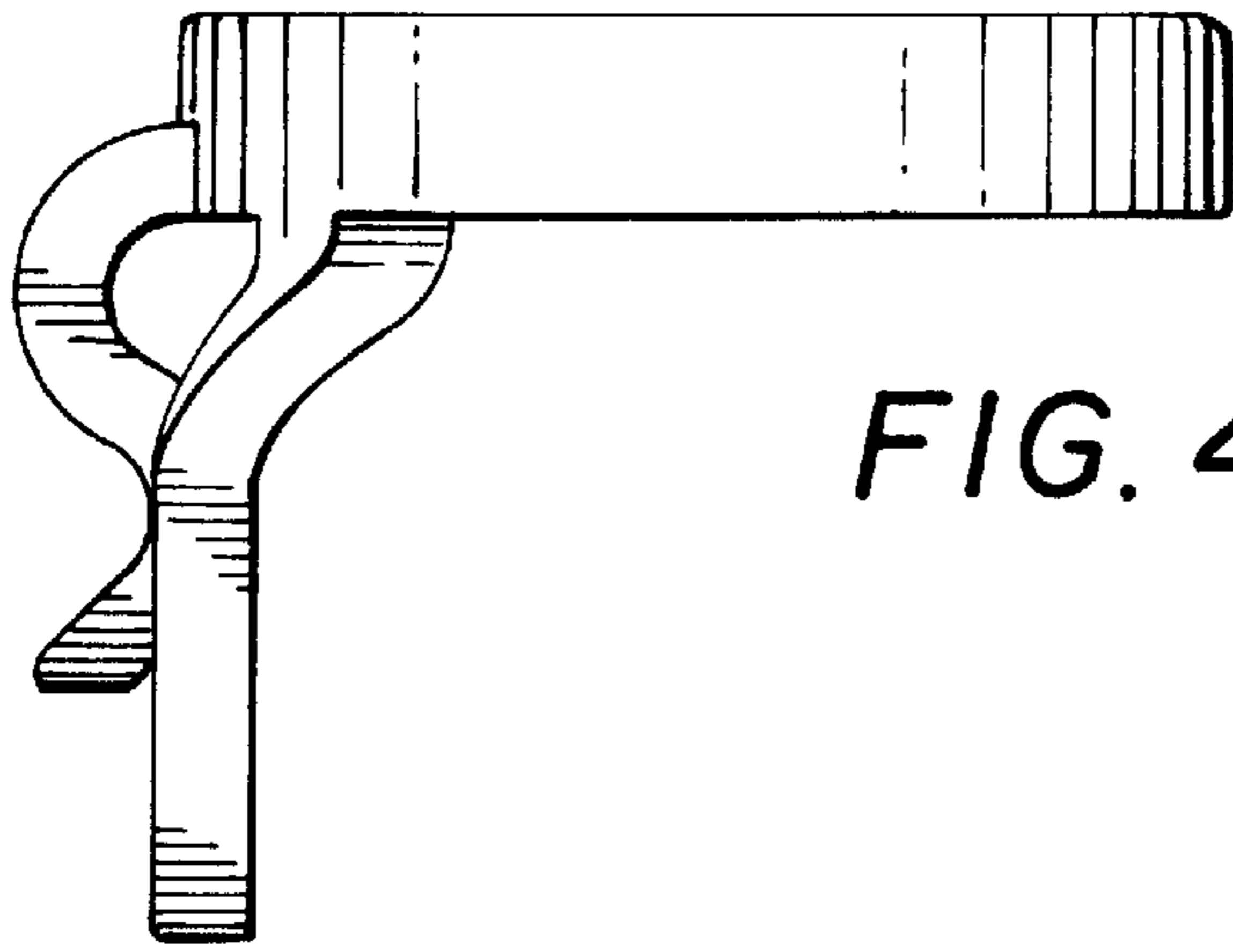


FIG. 4

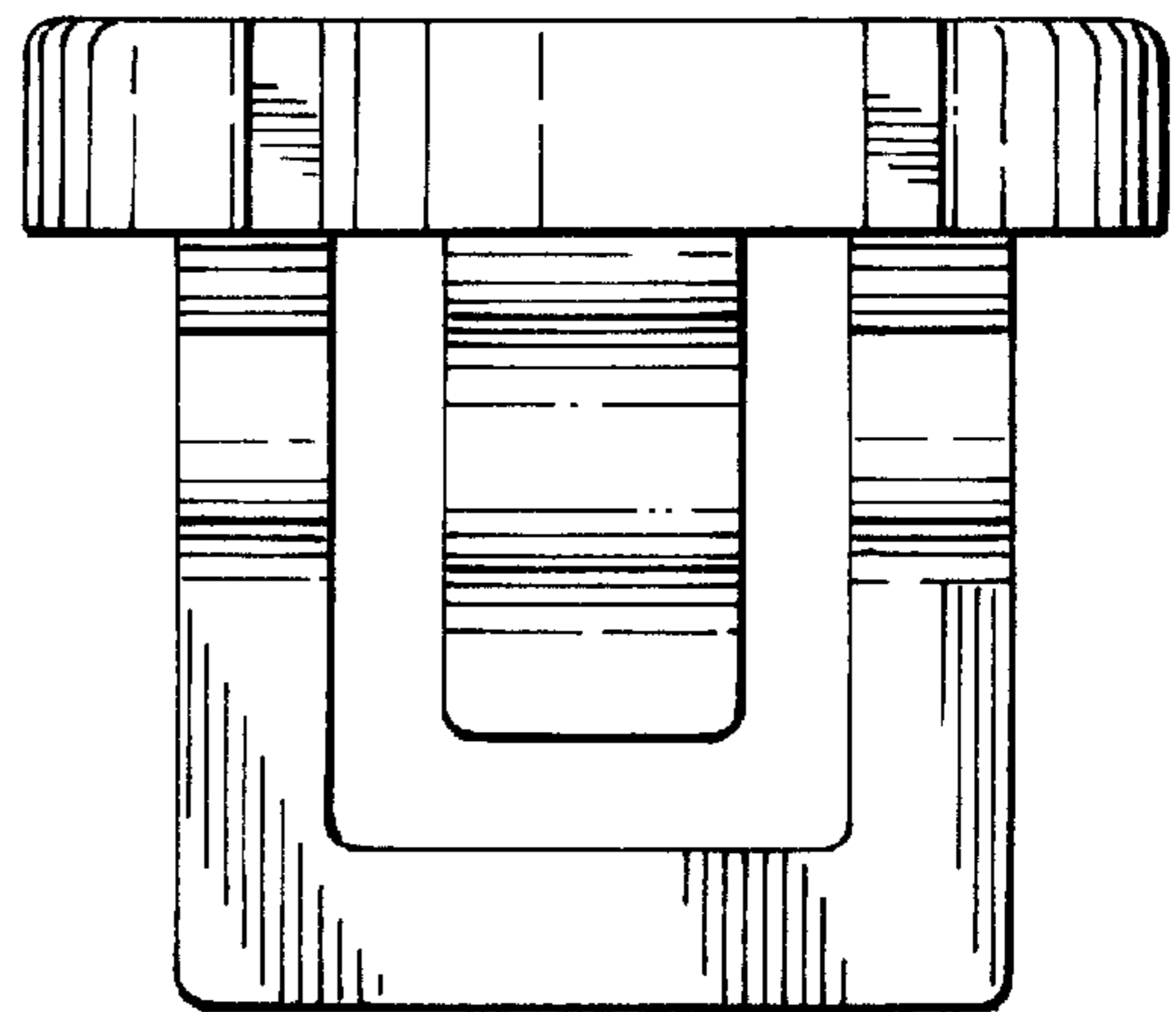


FIG. 5

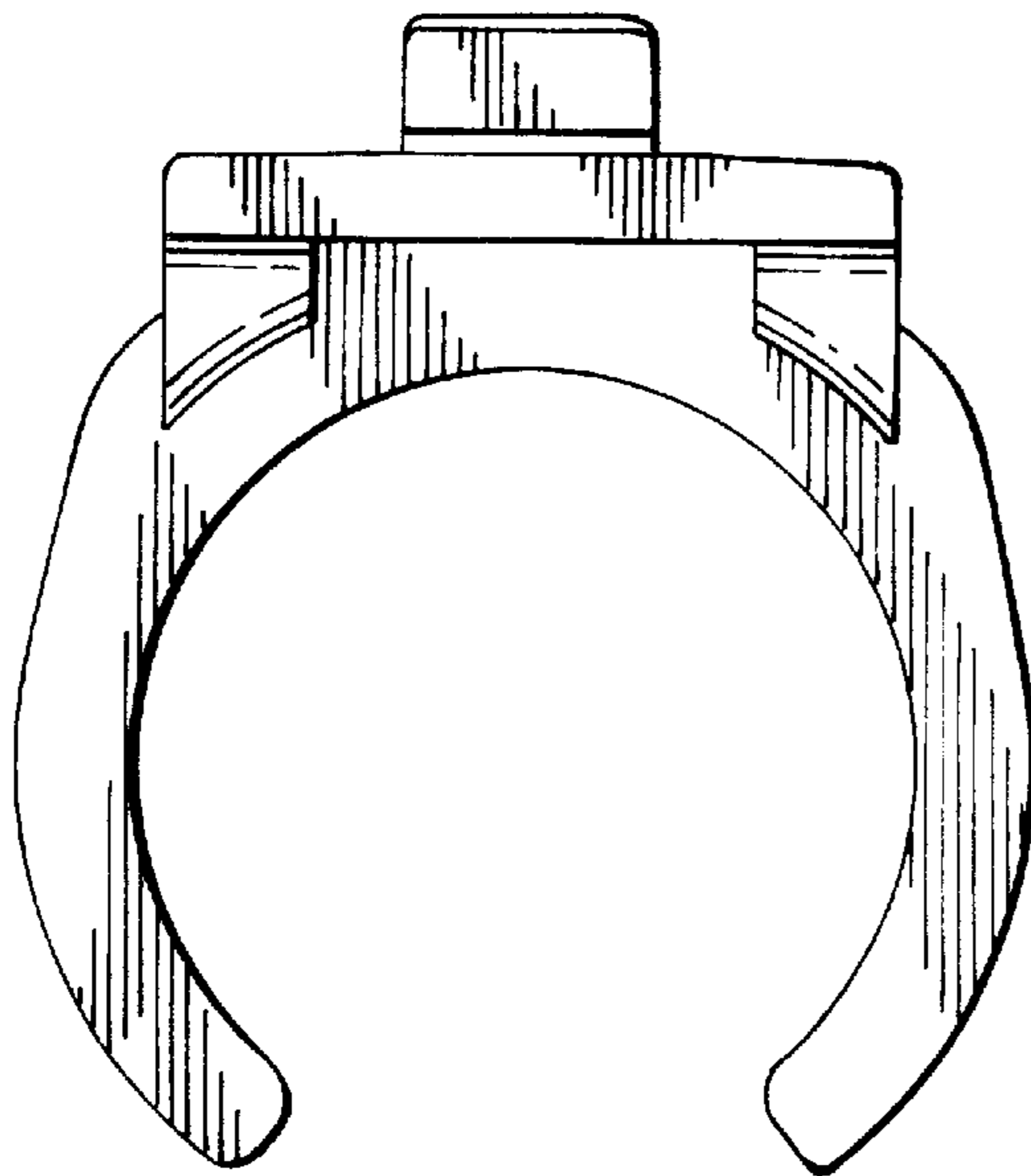


FIG. 6