



US00D476568S

(12) **United States Design Patent**
Mechtold et al.

(10) **Patent No.:** **US D476,568 S**

(45) **Date of Patent:** **** Jul. 1, 2003**

(54) **CAP**
(75) Inventors: **Hartmut Mechtold**, Pforzheim (DE);
Ralf Welter, Buehl (DE)
(73) Assignee: **GlaxoSmithKline Consumer**
Healthcare, Buehl (DE)

2,069,048 A * 1/1937 Rehberger 220/212
2,543,427 A * 2/1951 Warne 141/381
2,754,821 A * 7/1956 Burbig et al. 604/301
D203,896 S * 2/1966 Klun D9/436
3,272,369 A * 9/1966 Grimsley 215/329
3,997,077 A * 12/1976 Mill et al. 220/288
D325,783 S * 4/1992 Anderson D24/192

(**) Term: **14 Years**

* cited by examiner

(21) Appl. No.: **29/164,457**
(22) Filed: **Jul. 23, 2002**

Primary Examiner—Louis S. Zarfaz
Assistant Examiner—Gregory Andoll
(74) *Attorney, Agent, or Firm*—Nora Stein-Fernandez;
Theodore R. Furman; Charles M. Kinzig

(30) **Foreign Application Priority Data**

(57) **CLAIM**

Jan. 23, 2002 (GB) 3000937

The ornamental design for a cap, as shown and described.

(51) **LOC (7) Cl.** **09-07**

DESCRIPTION

(52) **U.S. Cl.** **D9/454; D9/442; D9/443;**
D9/436; D24/120

FIG. 1 is a perspective view of the cap, showing my new design;
FIG. 2 is a side view thereof;
FIG. 3 is a side view rotated 90° to the right of FIG. 2;
FIG. 4 is a top plan view thereof;
FIG. 5 is a bottom plan view thereof; and,
FIG. 6 is a sectional view taken along line 6—6 of FIG. 2.

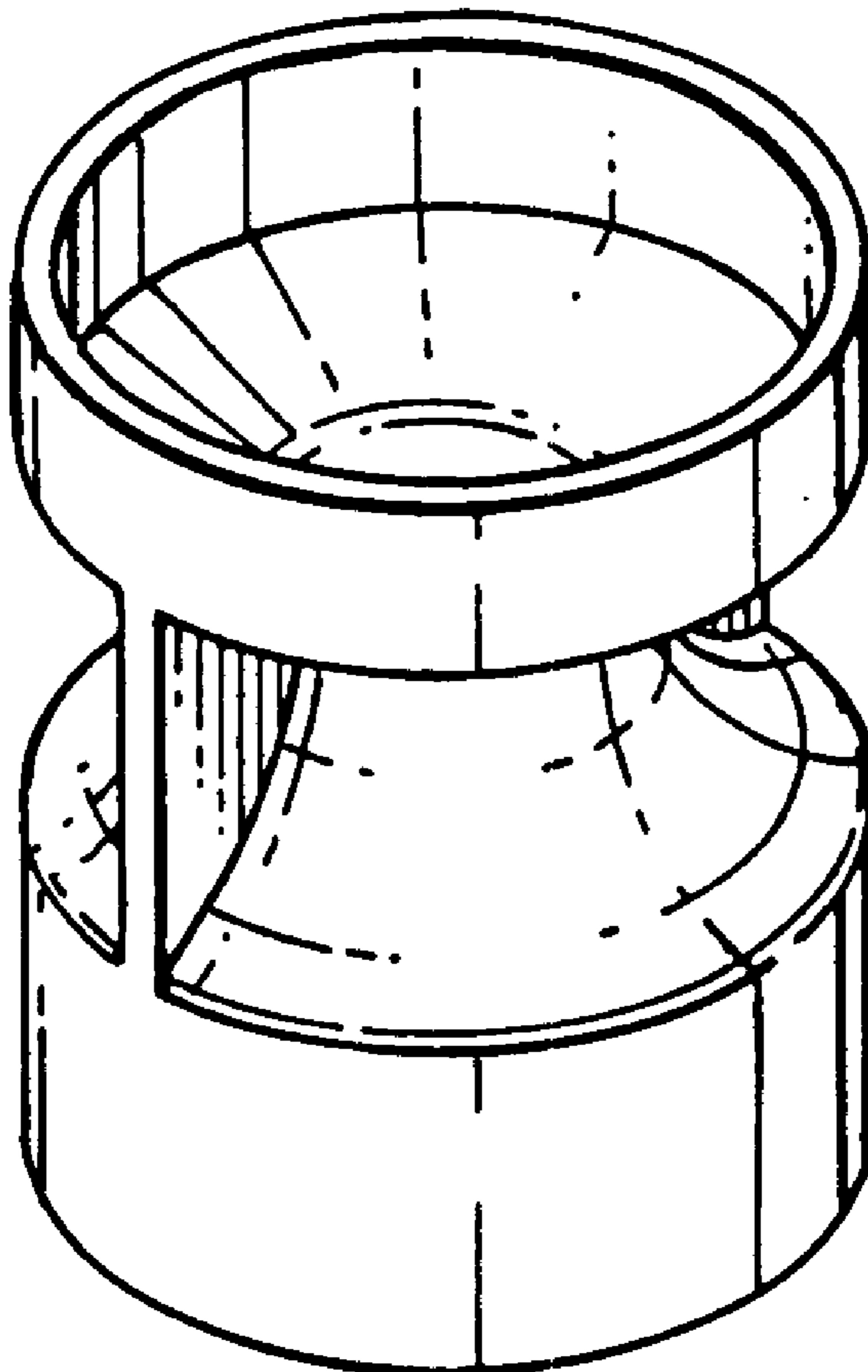
(58) **Field of Search** D9/435, 436, 443,
D9/452, 453, 454; D24/193, 120; 141/381;
215/329, 228, DIG. 1; 220/212, 288; 604/301

(56) **References Cited**

U.S. PATENT DOCUMENTS

2,019,071 A * 10/1935 Carr 604/301

1 Claim, 1 Drawing Sheet



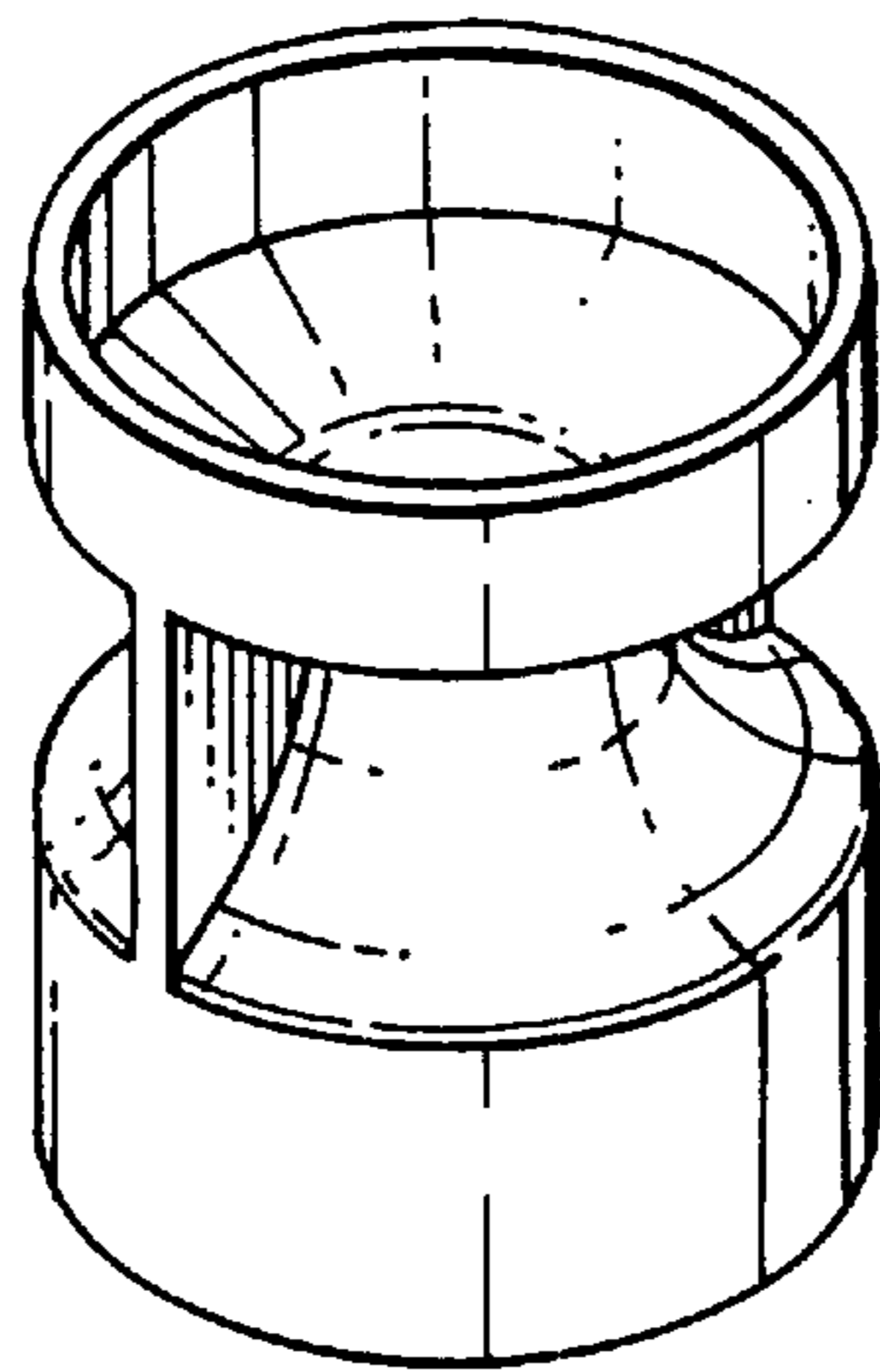


Fig. 1.

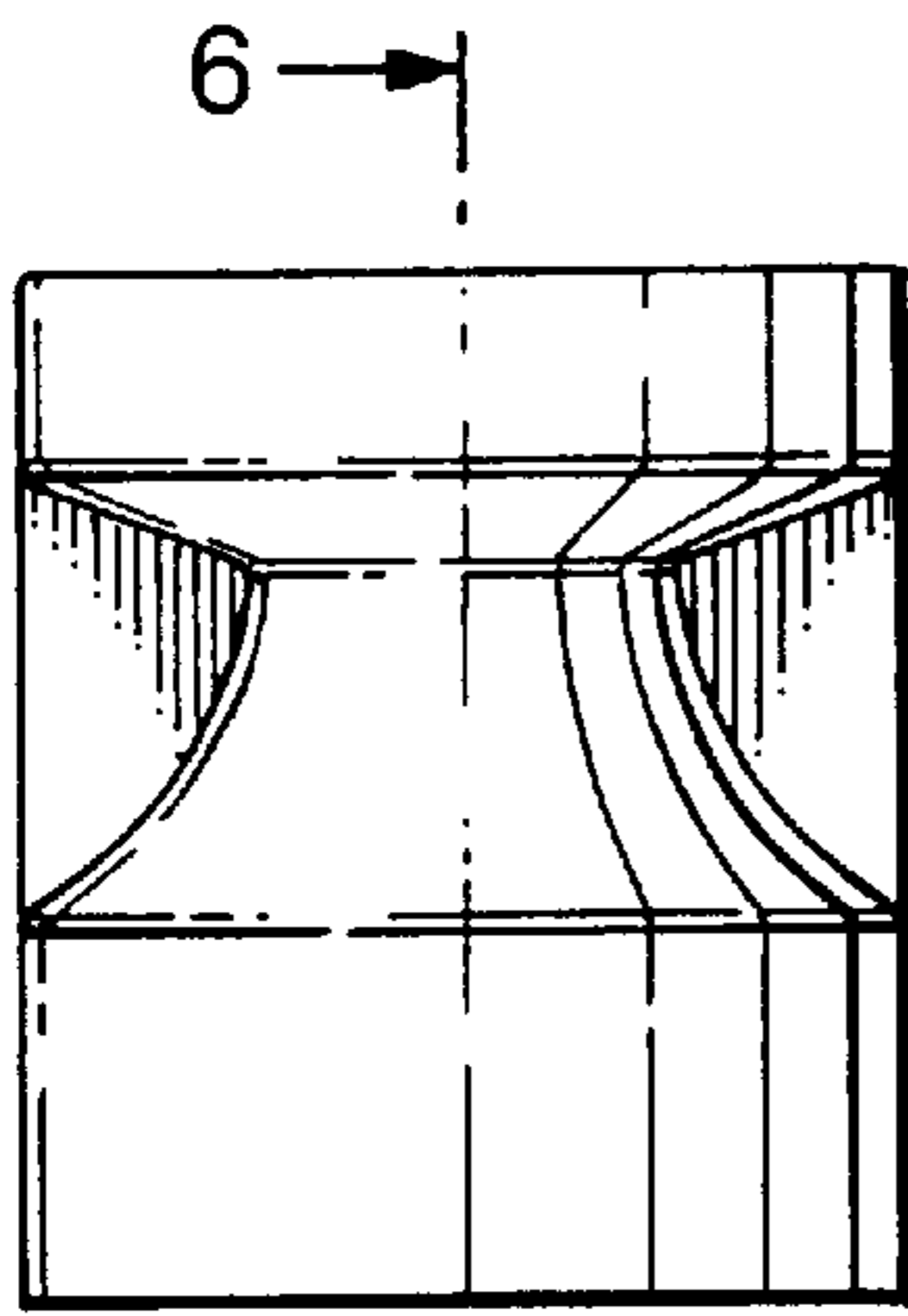


Fig. 2.

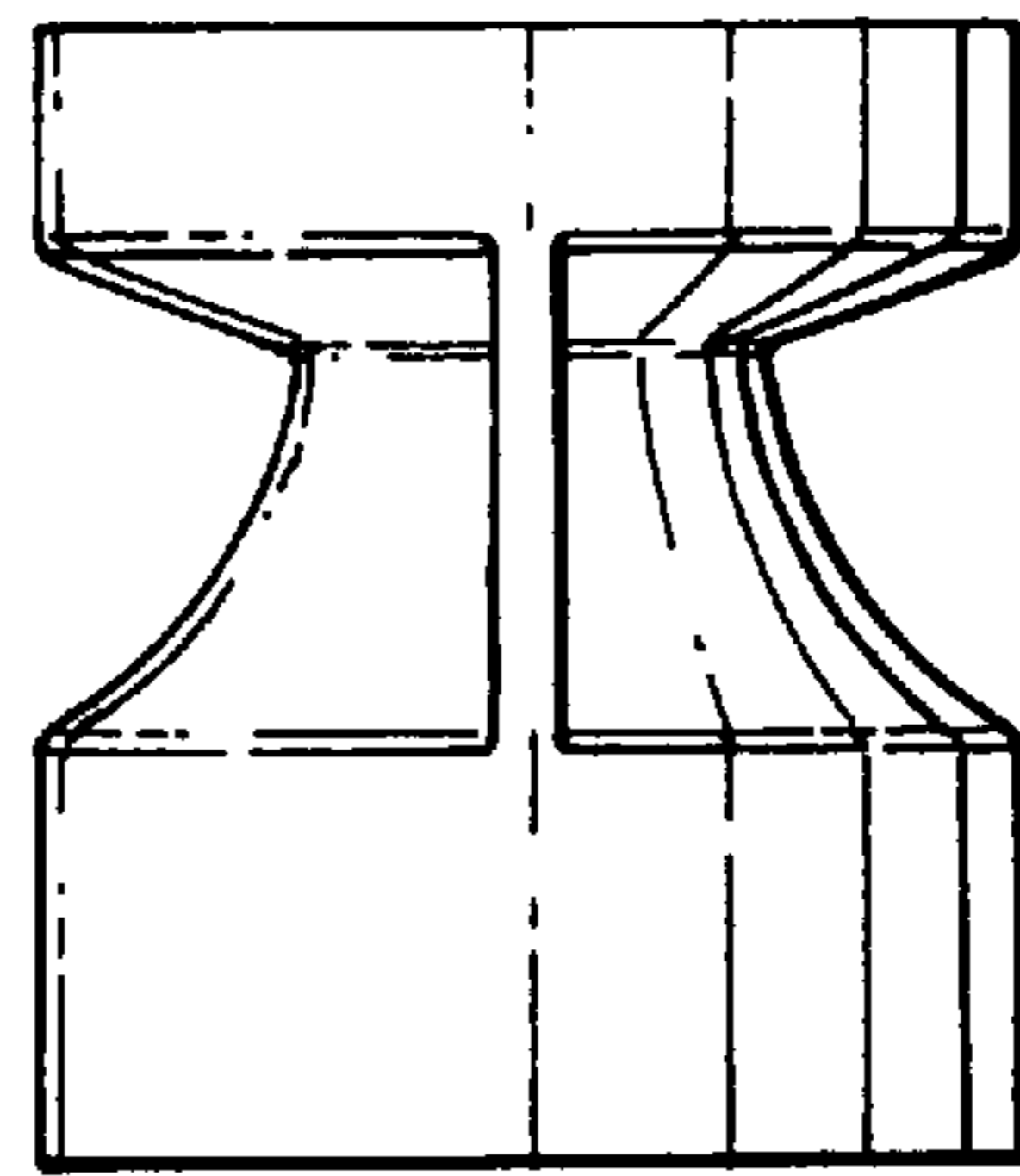


Fig. 3.

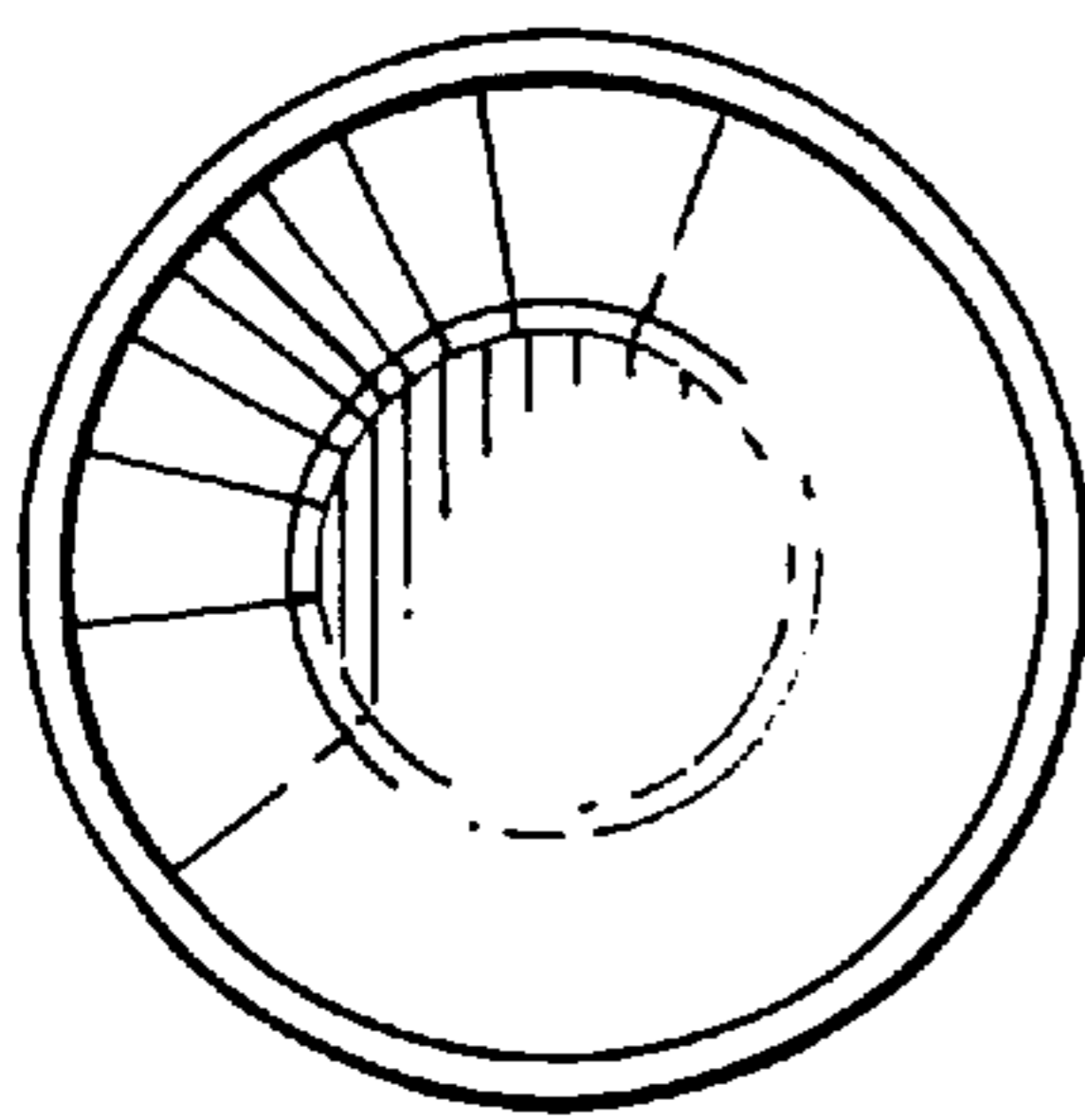


Fig. 4.

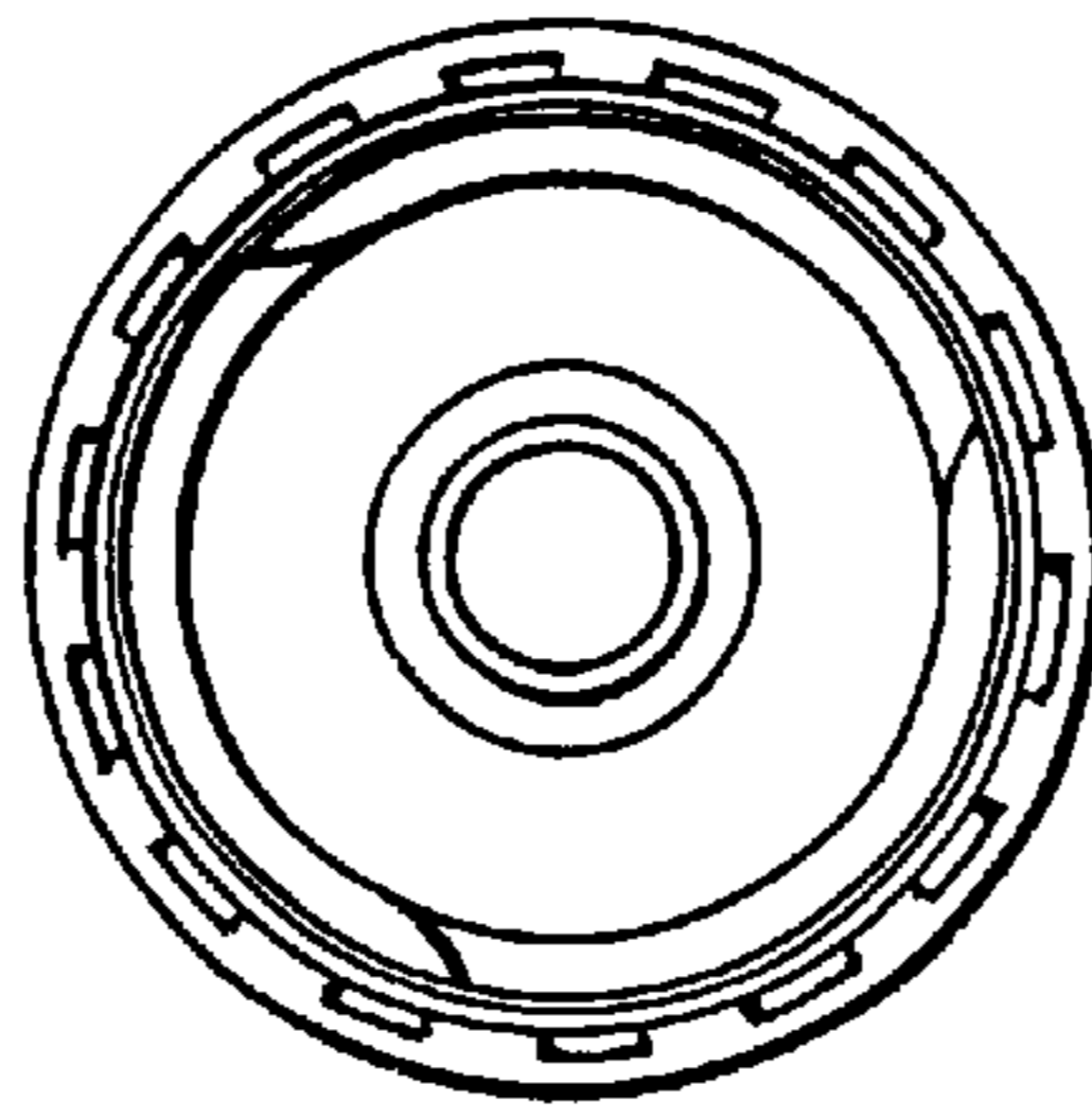


Fig. 5.

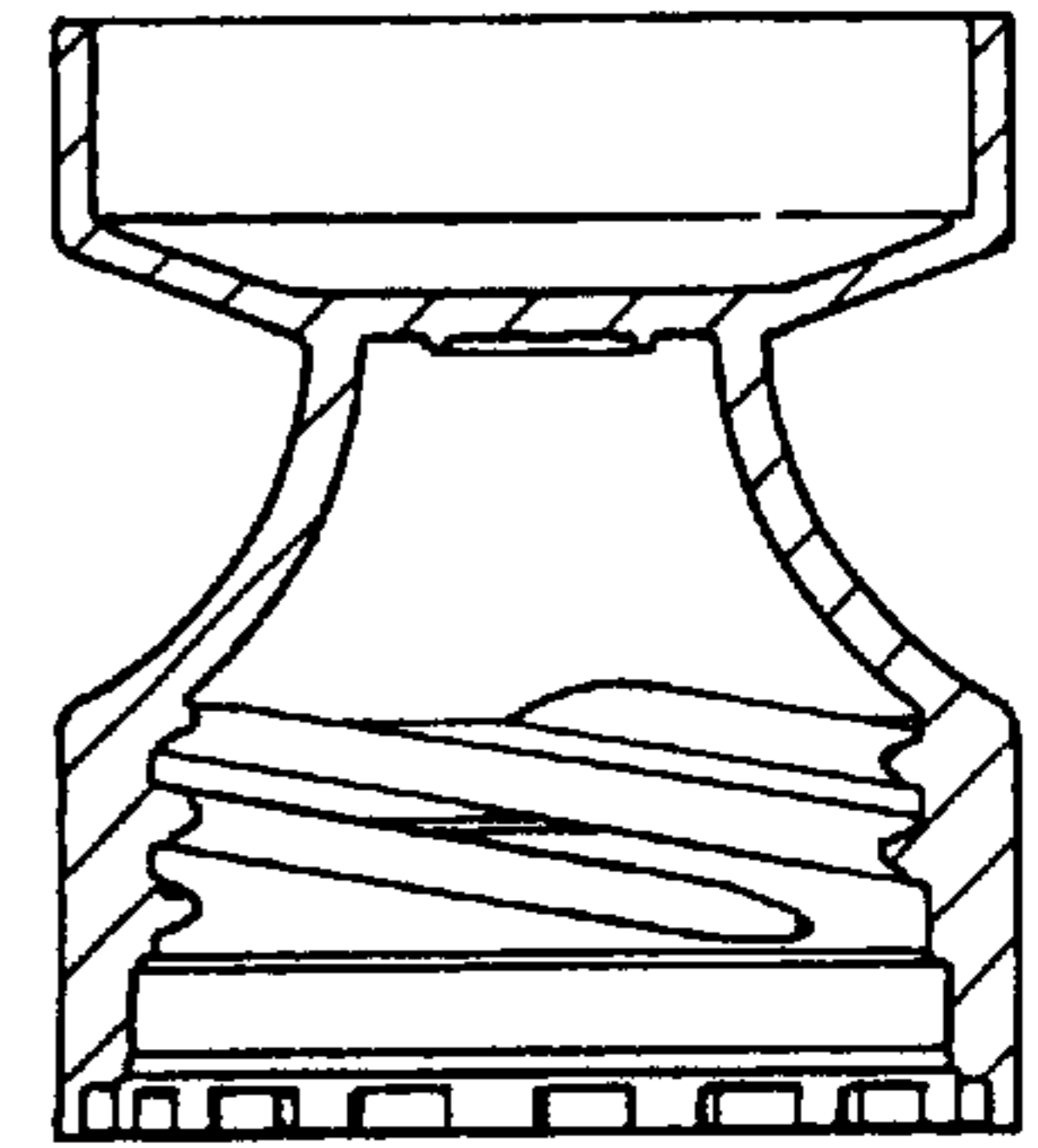


Fig. 6.