



US00D476567S

(12) **United States Design Patent**  
**Weiss et al.**

(10) **Patent No.:** **US D476,567 S**

(45) **Date of Patent:** **\*\* Jul. 1, 2003**

(54) **LID**

(75) Inventors: **David Weiss**, Plantation, FL (US);  
**Stephen Hasselbach**, Cranbury, NJ (US)

(73) Assignee: **Design Safety Corp.**, Plantation, FL (US)

(\*\*) Term: **14 Years**

(21) Appl. No.: **29/149,319**

(22) Filed: **Oct. 10, 2001**

(51) **LOC (7) Cl.** ..... **09-07**

(52) **U.S. Cl.** ..... **D9/454; D9/447; D9/452; D9/438**

(58) **Field of Search** ..... D9/434, 435, 438, D9/447, 450, 449, 454; D7/511; 215/200, 307, 316, 317, 324, 387; 220/200, 306, 307, 711, 712, 713, 719

(56) **References Cited**

**U.S. PATENT DOCUMENTS**

D267,633 S \* 1/1983 Christian ..... D9/438

4,629,088 A \* 12/1986 Durgin ..... 220/713  
D360,133 S \* 7/1995 Boller ..... D9/447  
5,947,323 A \* 9/1999 Freek et al. .... 220/712  
D447,412 S \* 9/2001 Durdon ..... D9/447  
D468,206 S \* 1/2003 Weiss et al. .... D9/447

\* cited by examiner

*Primary Examiner*—Louis S. Zarfaz  
*Assistant Examiner*—Gregory Andoll  
(74) *Attorney, Agent, or Firm*—Nixon Peabody LLP;  
Donald R. Studebaker

(57) **CLAIM**

The ornamental design for a lid, as shown and described.

**DESCRIPTION**

FIG. 1 is a perspective view of a lid;  
FIG. 2 is a side view thereof;  
FIG. 3 is a top view thereof; and,  
FIG. 4 is a bottom view thereof.

**1 Claim, 1 Drawing Sheet**

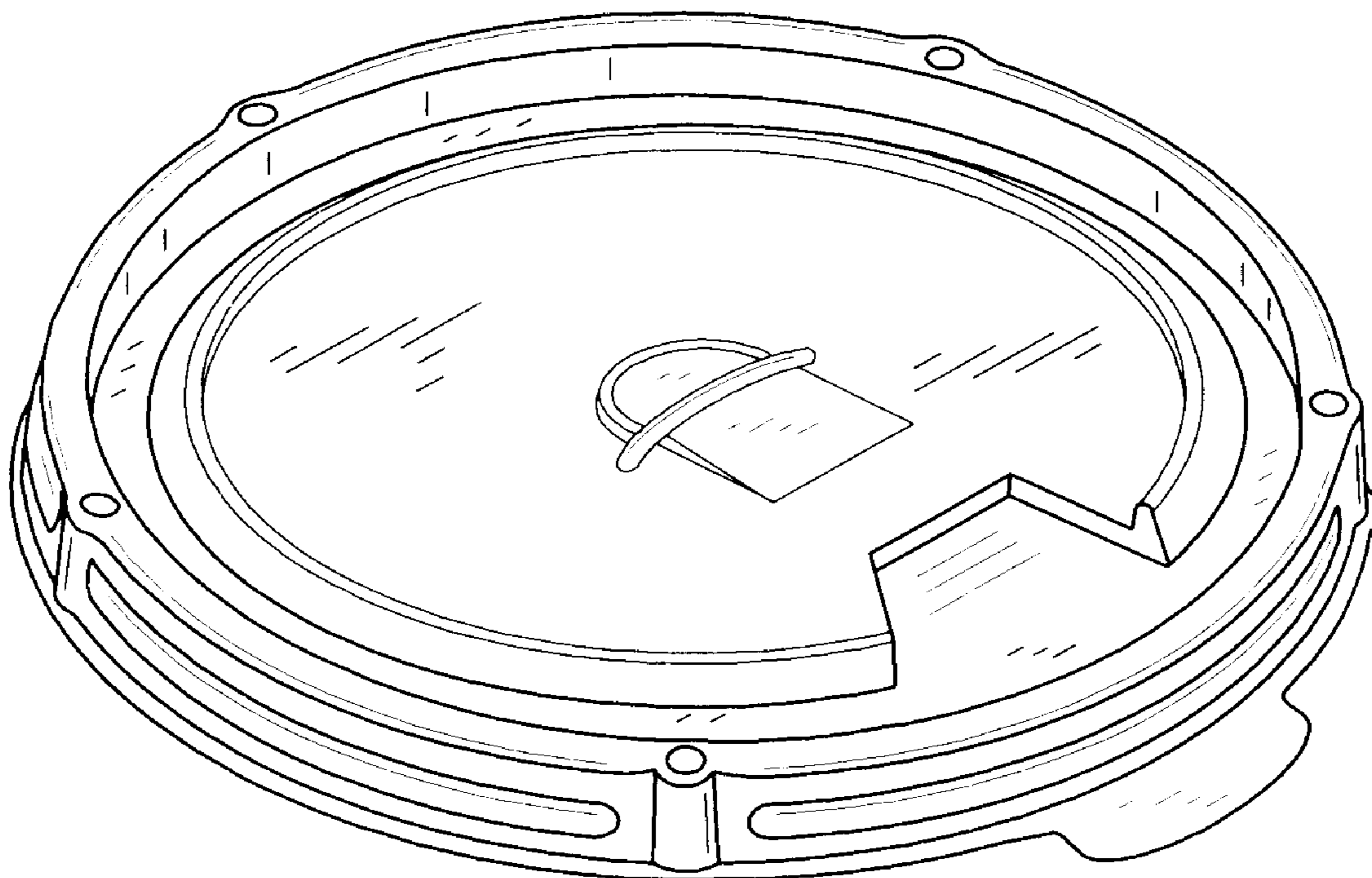


FIG. 2



FIG. 4

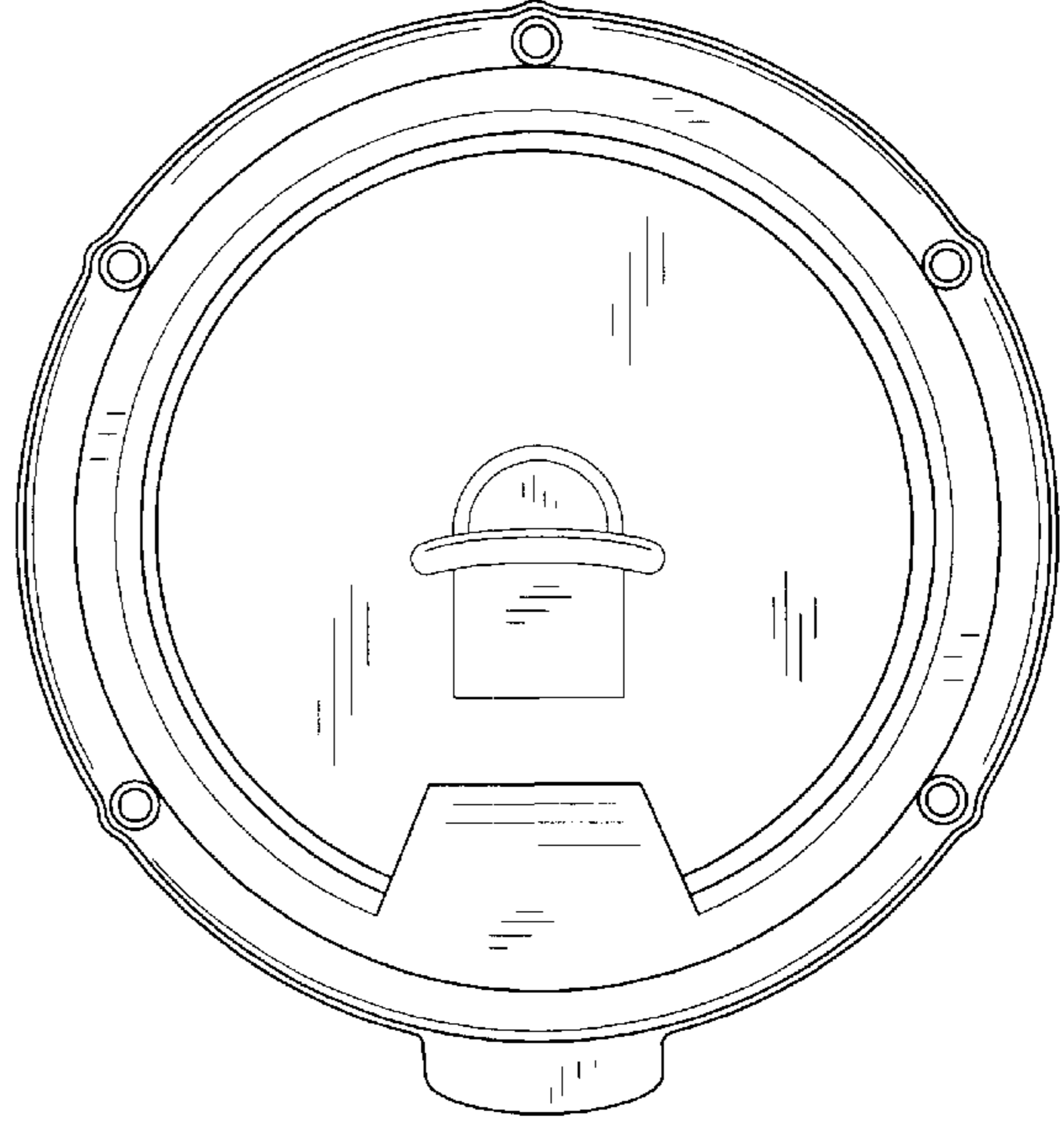


FIG. 1

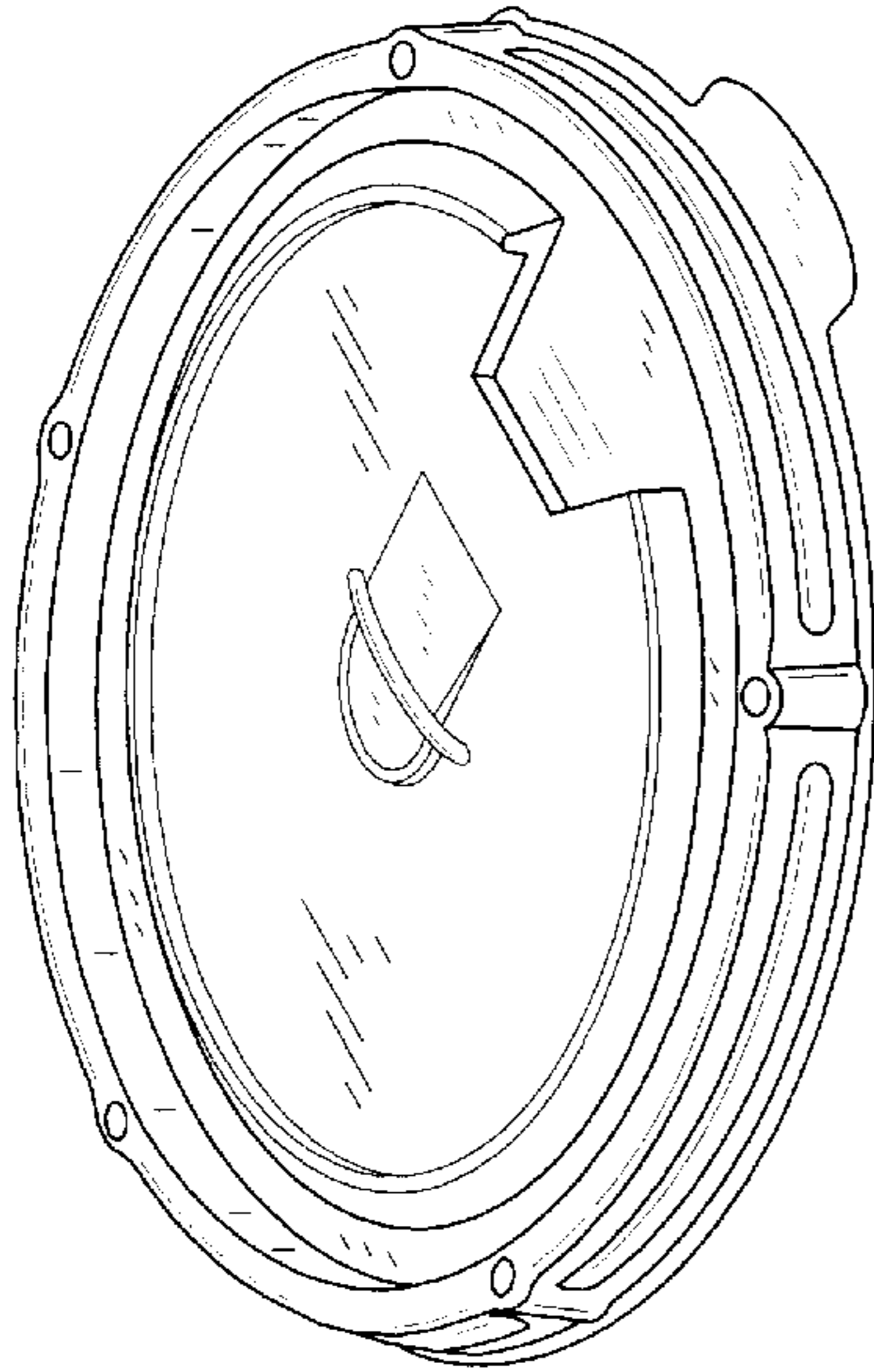
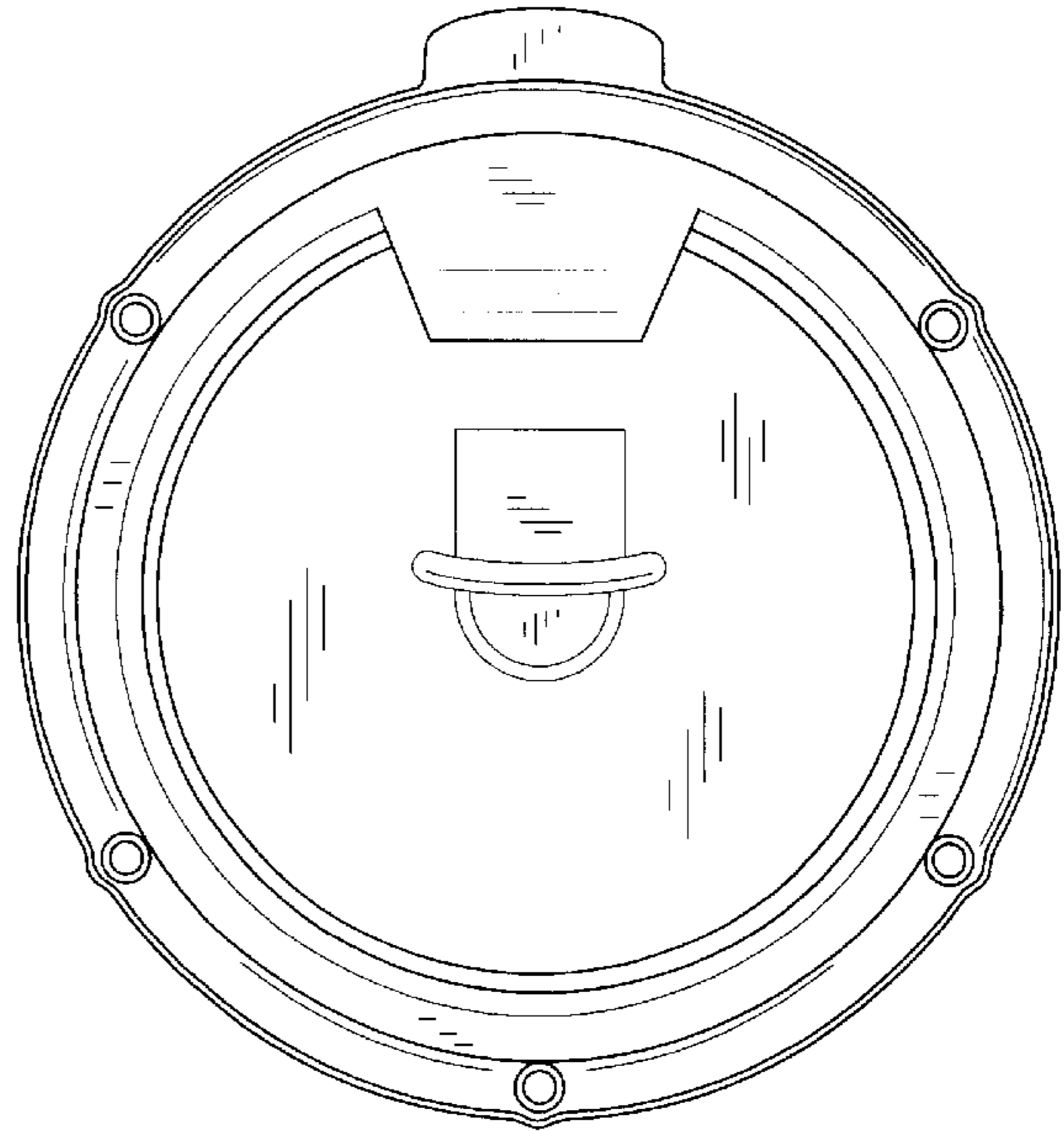


FIG. 3



UNITED STATES PATENT AND TRADEMARK OFFICE  
**CERTIFICATE OF CORRECTION**

PATENT NO. : Des. 476,567 S  
DATED : July 1, 2003  
INVENTOR(S) : David Weiss and Stephen Hasselbach

Page 1 of 1

It is certified that error appears in the above-identified patent and that said Letters Patent is hereby corrected as shown below:

Title page,

Item [75], Inventors, please change the 2<sup>nd</sup> inventor's name from "**Steven**"  
to -- **Stephen D.** --.

Signed and Sealed this

Eleventh Day of November, 2003

A handwritten signature in black ink, appearing to read "James E. Rogan", written over a horizontal line.

JAMES E. ROGAN  
*Director of the United States Patent and Trademark Office*