



US00D476565S

(12) **United States Design Patent**  
**Rosén**

(10) **Patent No.:** **US D476,565 S**

(45) **Date of Patent:** **\*\* Jul. 1, 2003**

(54) **CONNECTING DEVICE**

(75) Inventor: **Åke Rosén**, Rydebäck (SE)

(73) Assignee: **ECO Lean Research & Development A/S**, Copenhagen (DK)

(\*\*) Term: **14 Years**

(21) Appl. No.: **29/149,981**

(22) Filed: **Oct. 26, 2001**

(30) **Foreign Application Priority Data**

Apr. 27, 2001 (SE) ..... 01-0754

(51) **LOC (7) Cl.** ..... **09-07**

(52) **U.S. Cl.** ..... **D9/447; D9/449**

(58) **Field of Search** ..... D9/435, 447, 449,  
D9/450; 222/153.06, 566, 107, 494, 464.1,  
105

(56) **References Cited**

**U.S. PATENT DOCUMENTS**

3,493,146	A	*	2/1970	Connors et al.	.....	222/153.06
D319,190	S	*	8/1991	Wilding	.....	D9/447
D327,429	S	*	6/1992	Hutchinson	.....	D9/435
D334,537	S	*	4/1993	Bryan	.....	D9/447
5,307,955	A	*	5/1994	Viegas	.....	222/107
D381,911	S	*	8/1997	Lathrop	.....	D9/453
5,915,596	A	*	6/1999	Credle	.....	222/105
6,000,848	A	*	12/1999	Massioui	.....	222/464.1
6,378,730	B1	*	4/2002	Reddy	.....	222/566

**FOREIGN PATENT DOCUMENTS**

DE	196 17 024	A1	11/1997
EP	0 491 380	A2	12/1991
EP	0 766 955	A1	4/1997
WO	WO 99/06301		2/1999
WO	WO 99/41155		8/1999
WO	WO 02/087991	A1	11/2002

**OTHER PUBLICATIONS**

Copy of PCT Application SE02/00767, filed Apr. 19, 2002.

\* cited by examiner

*Primary Examiner*—Dominic Simone

(74) *Attorney, Agent, or Firm*—Smith, Gambrell & Russell

(57) **CLAIM**

The ornamental design for a connecting device, as shown and described.

**DESCRIPTION**

FIG. 1 shows a front perspective view from above of the connecting device

FIG. 2 shows a rear perspective view from underneath of the connecting device

FIG. 3 shows a first side view of the connecting device

FIG. 4 shows a front view of the connecting device

FIG. 5 shows a bottom view of the connecting device

FIG. 6 shows a rear view of the connecting device

FIG. 7 shows a second side view of the connecting device

FIG. 8 shows a top view of the connecting device

FIG. 9 shows a front perspective view from above of the connecting device in an opened position

FIG. 10 shows a rear perspective view from underneath of the connecting device in an opened position

FIG. 11 shows a first side view of the connecting device in an opened position

FIG. 12 shows a front view of the connecting device in an opened position

FIG. 13 shows a bottom view of the connecting device in an opened position

FIG. 14 shows a rear view of the connecting device in an opened position

FIG. 15 shows a second side view of the connecting device in an opened position; and,

FIG. 16 shows a top view of the connecting device in an opened position.

**1 Claim, 6 Drawing Sheets**

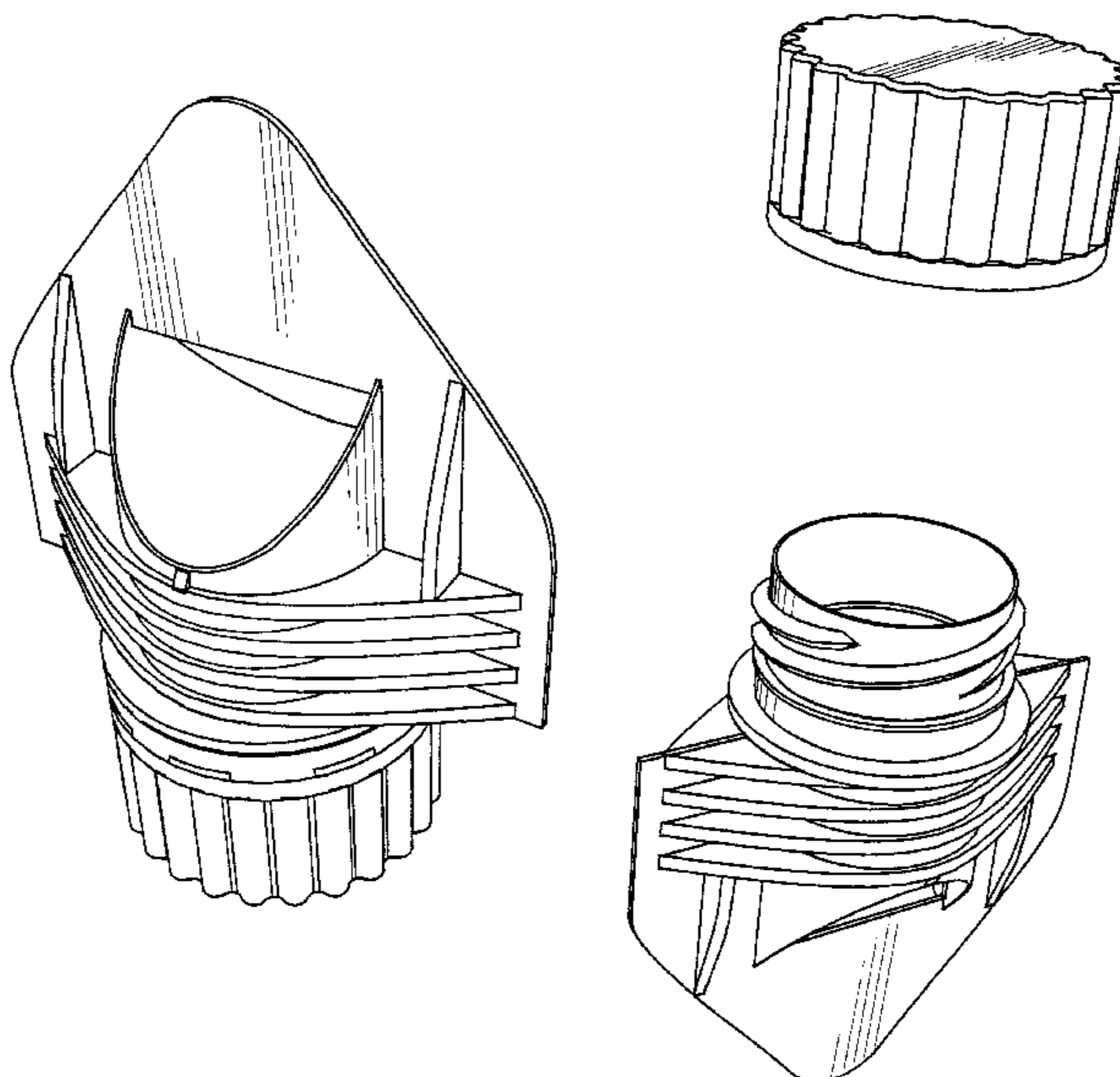


Figure 1

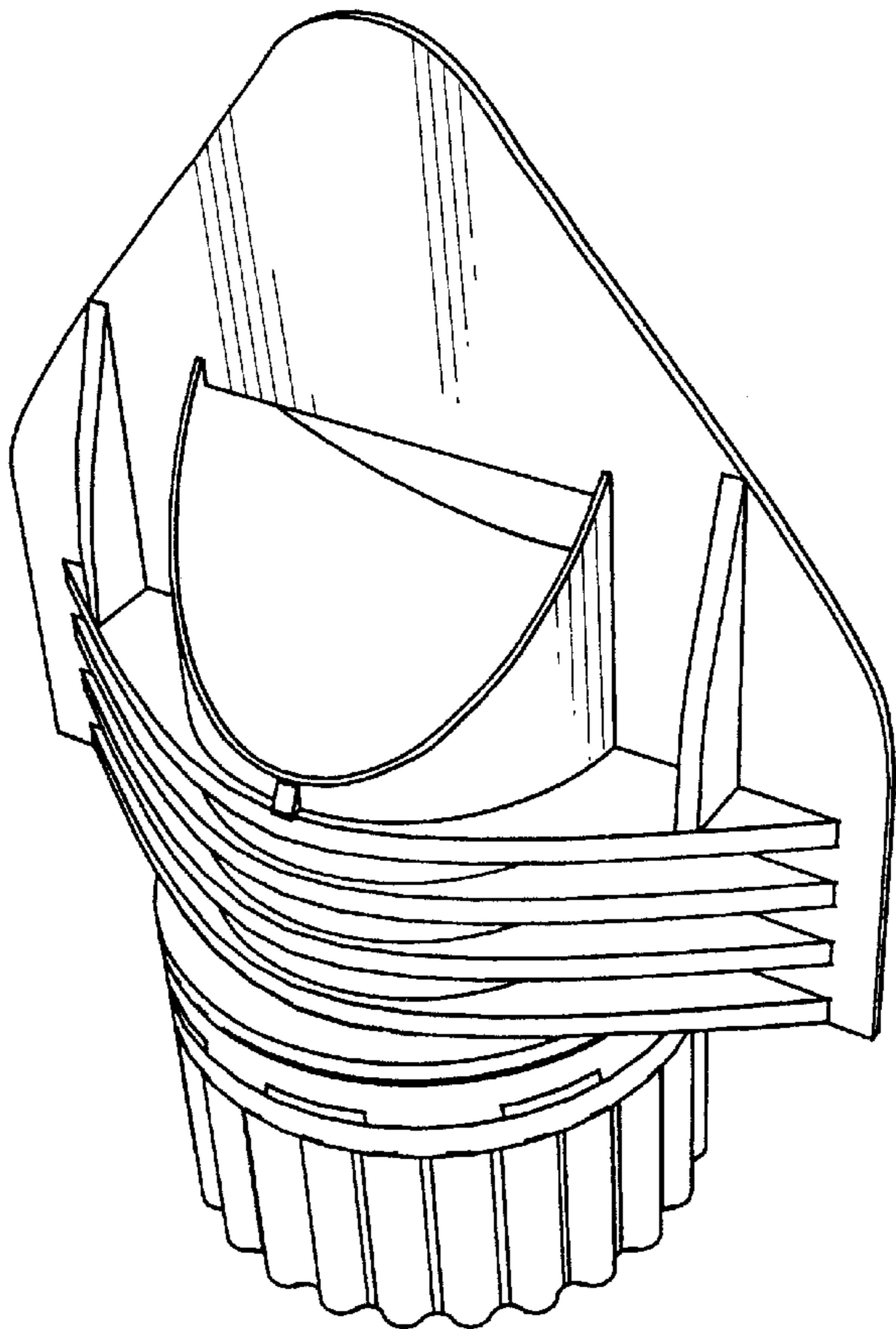
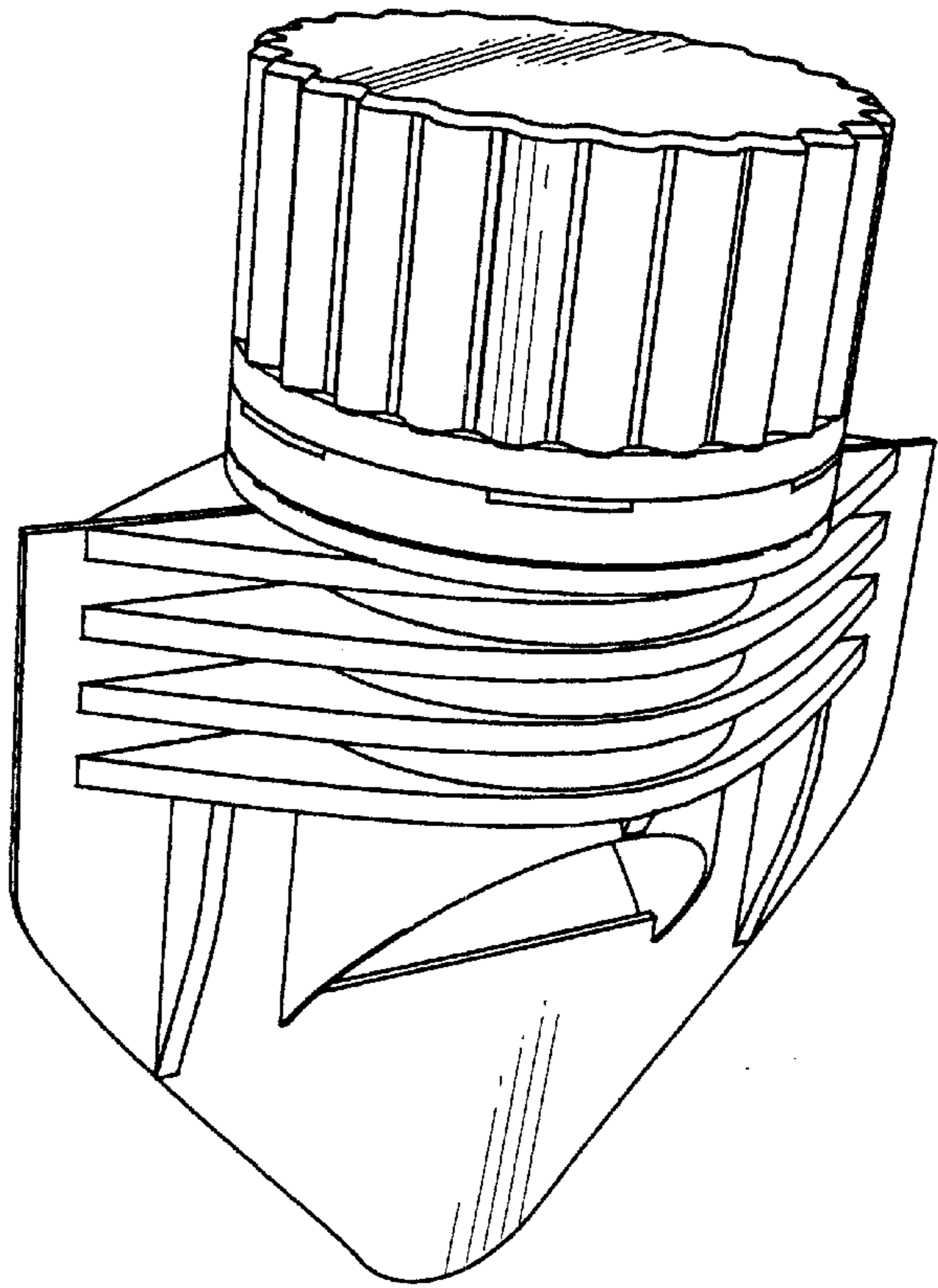


Figure 2

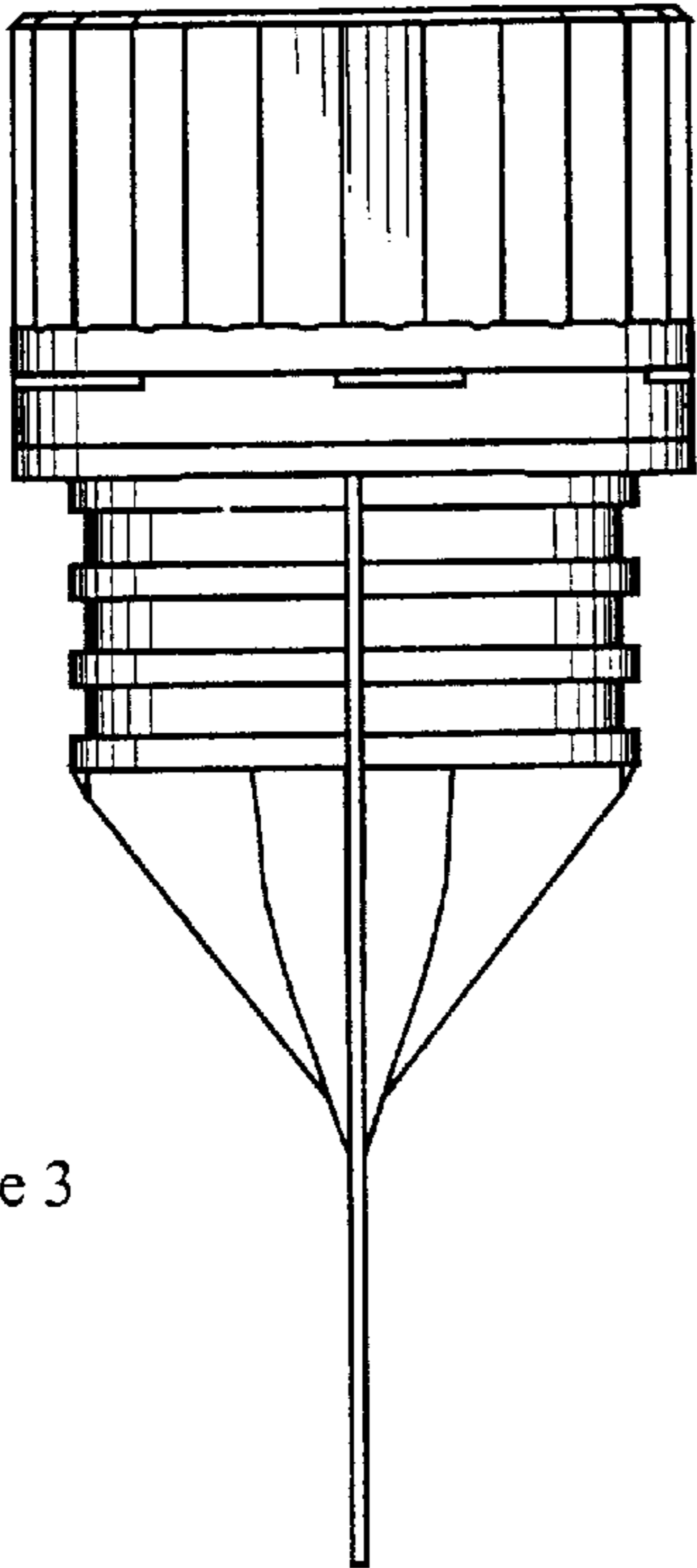


Figure 3

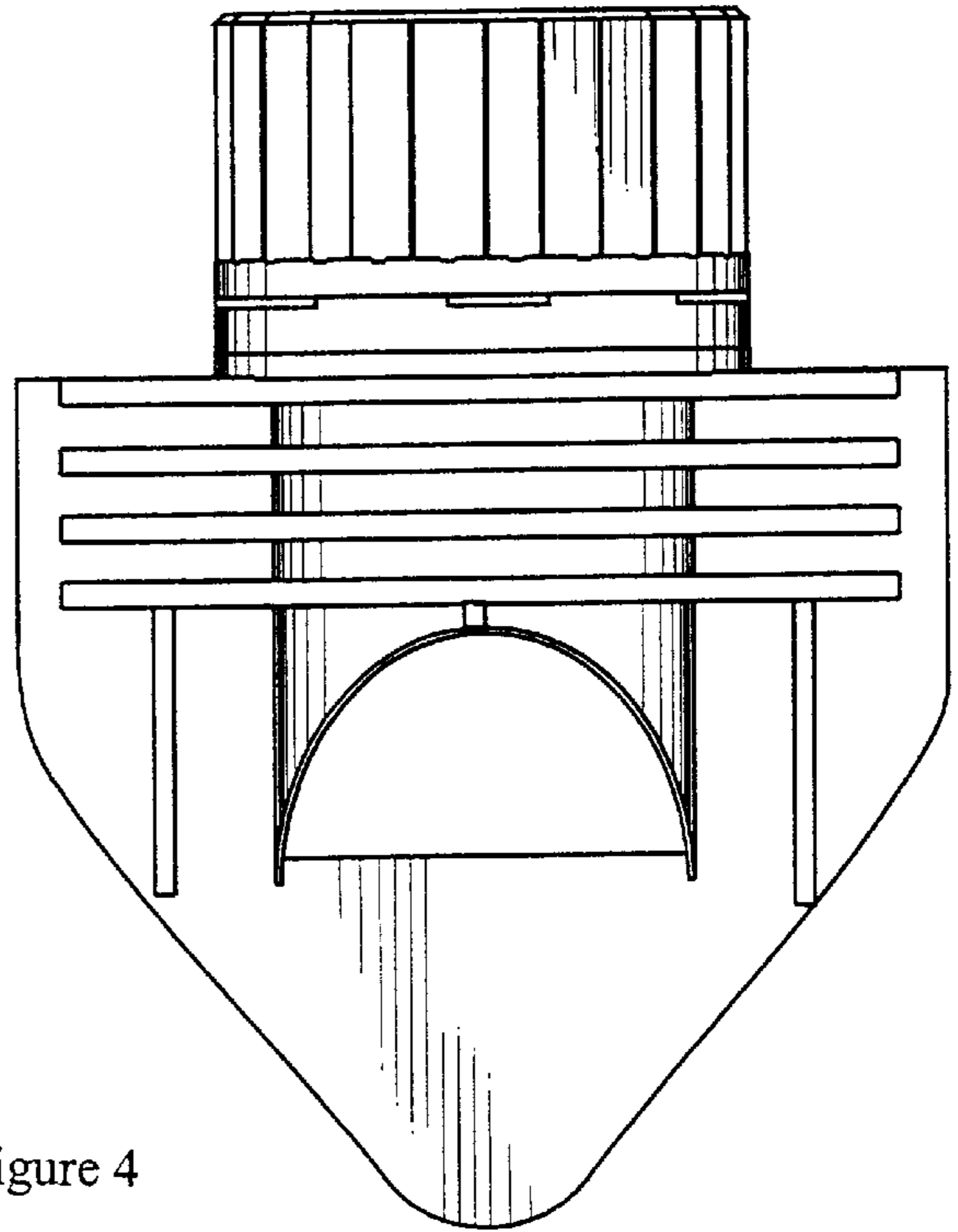


Figure 4

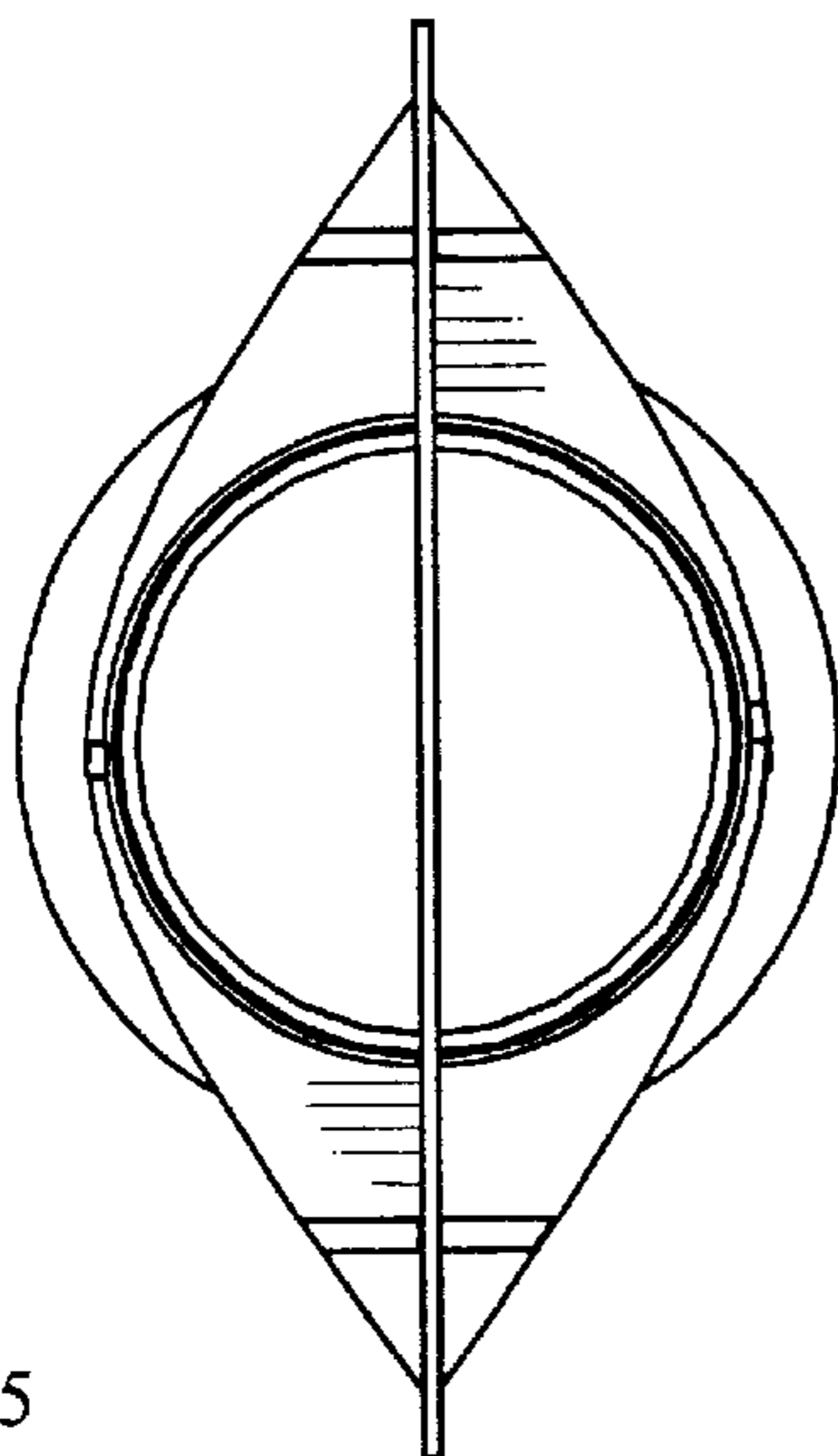


Figure 5

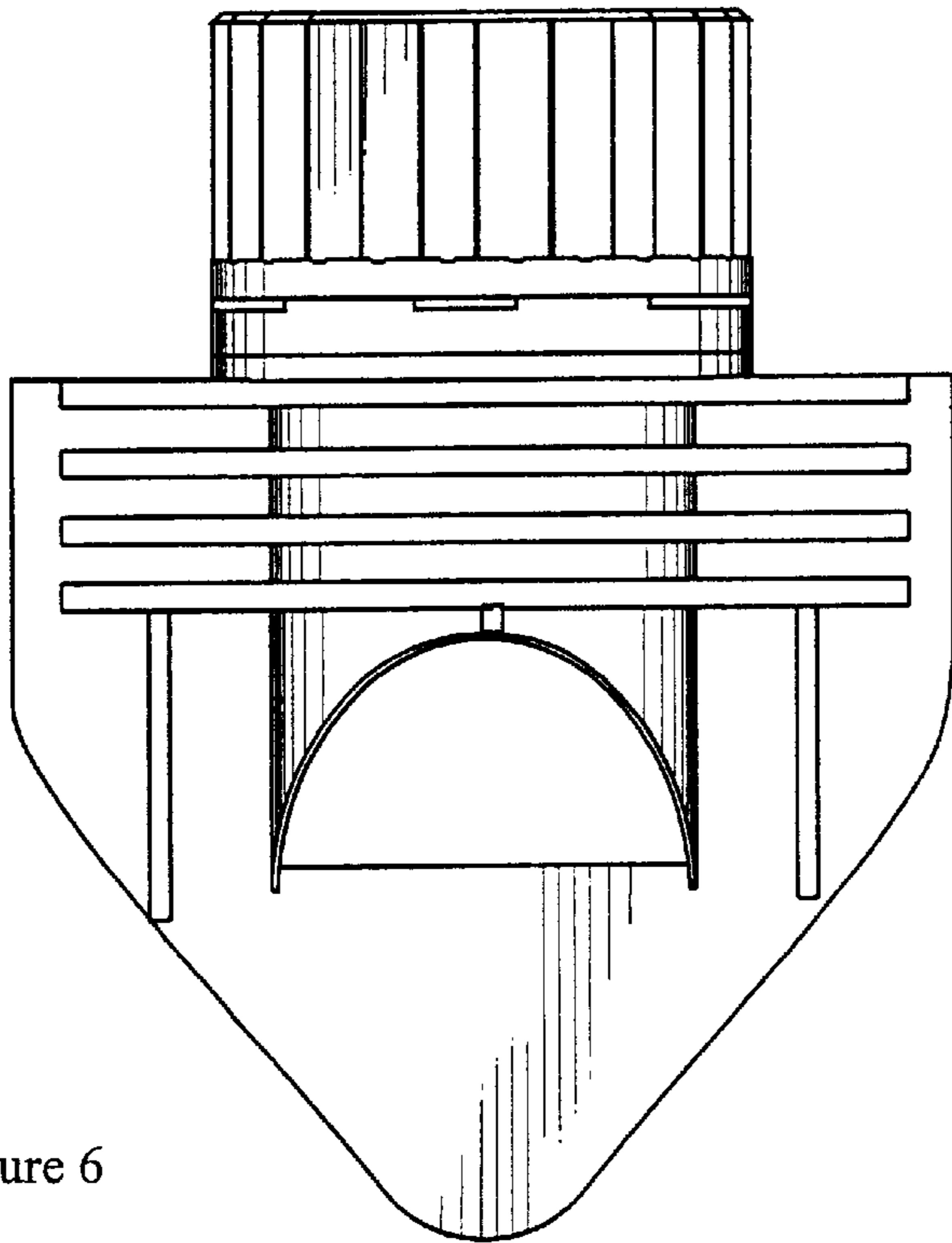


Figure 6

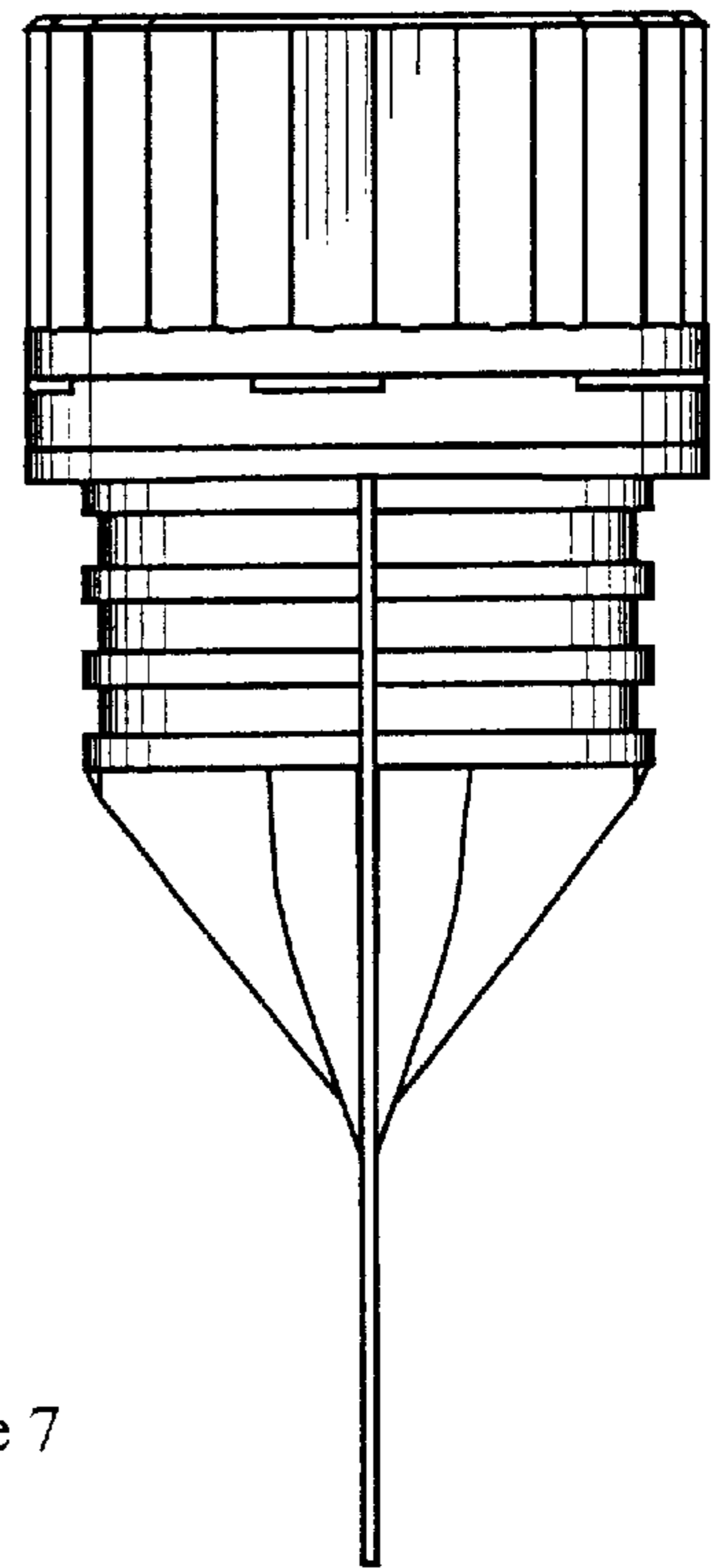


Figure 7

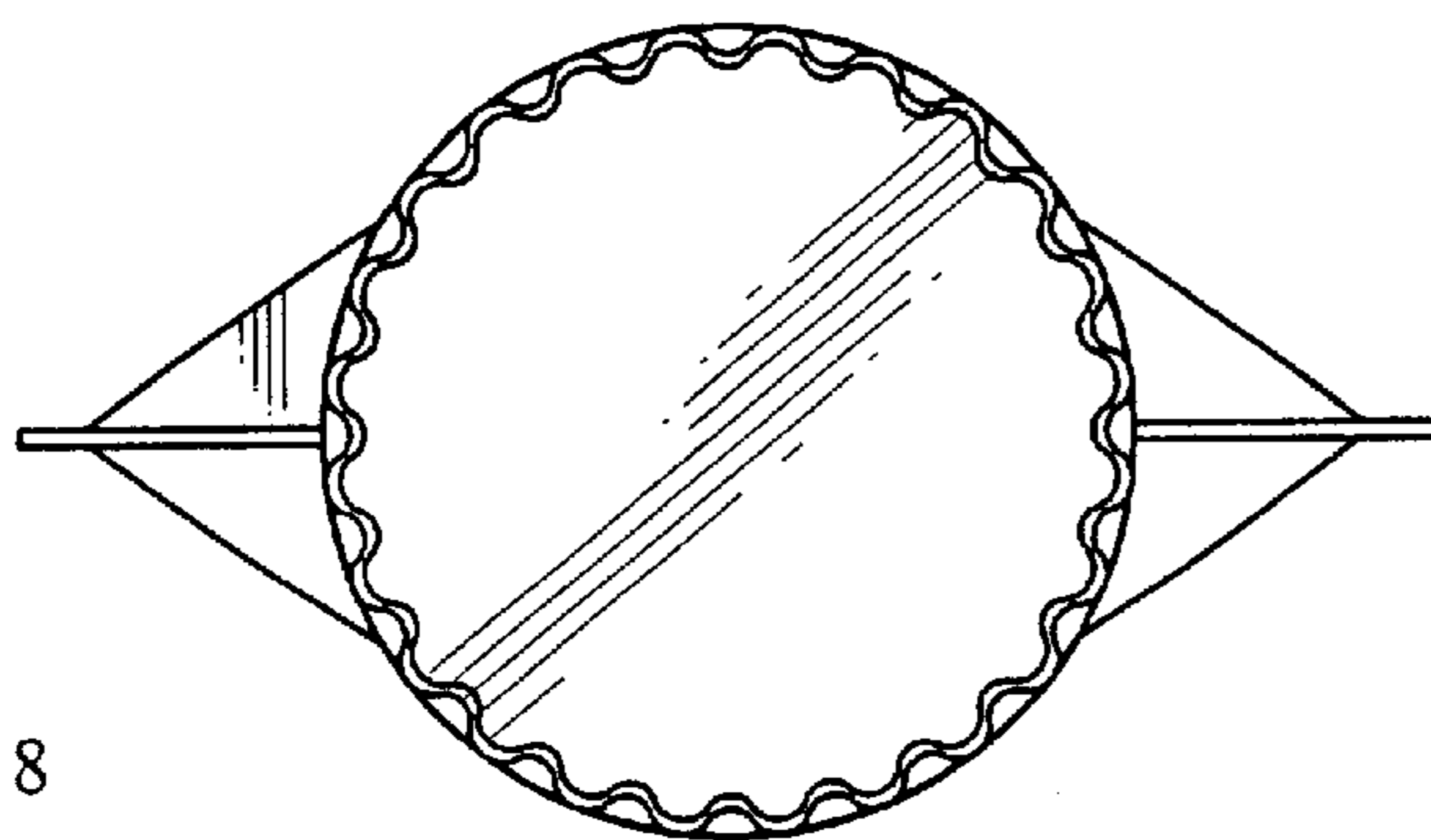


Figure 8

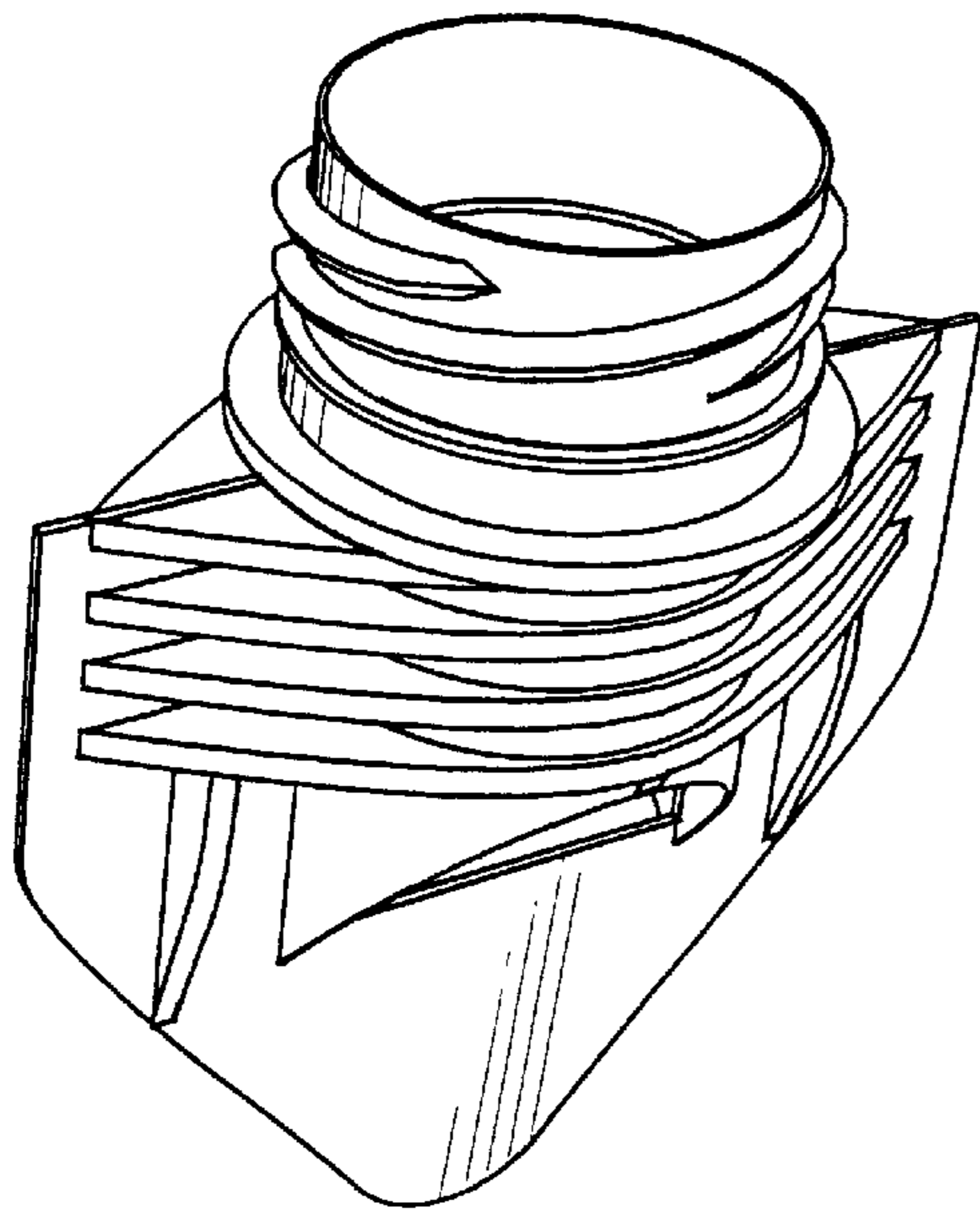
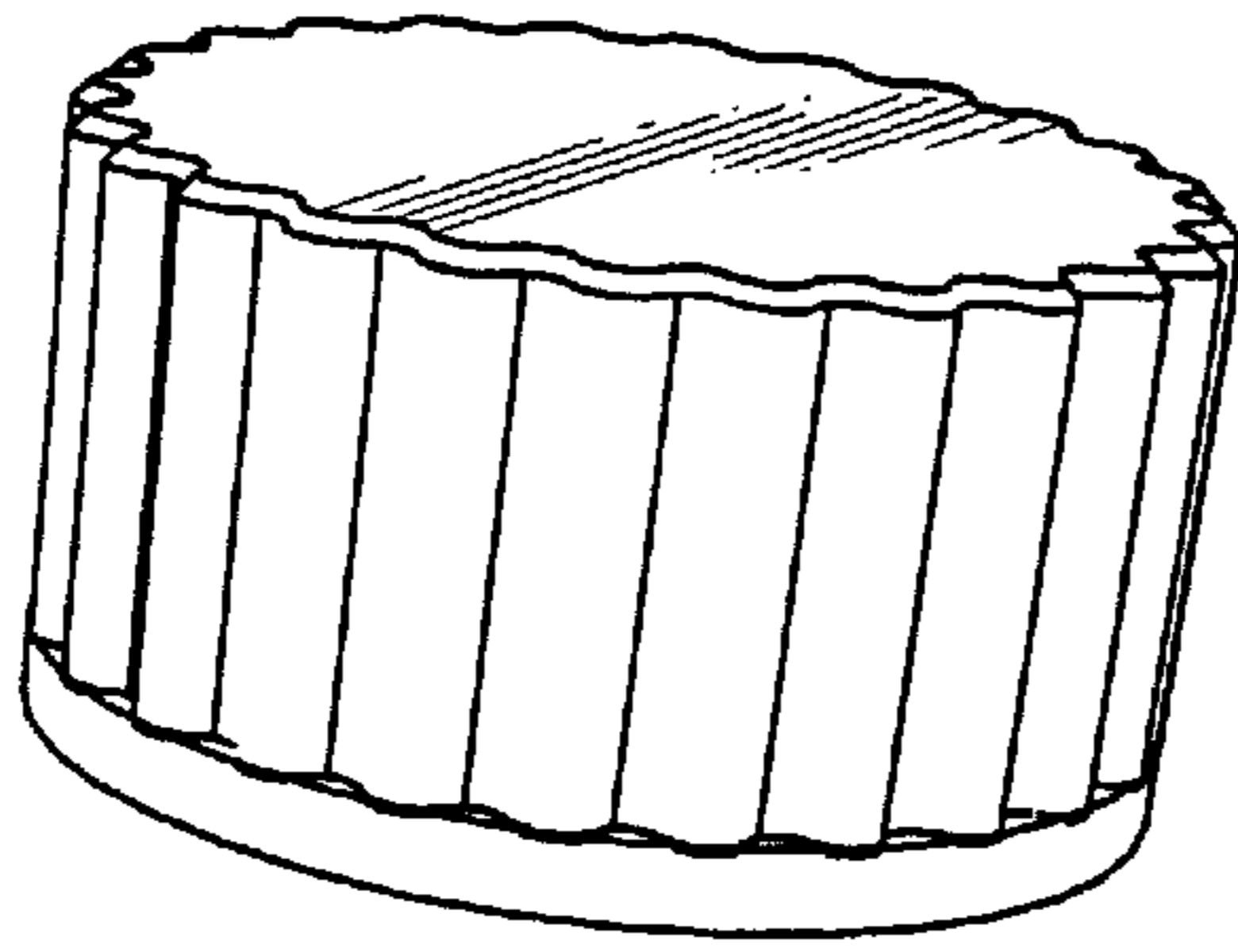


Figure 9

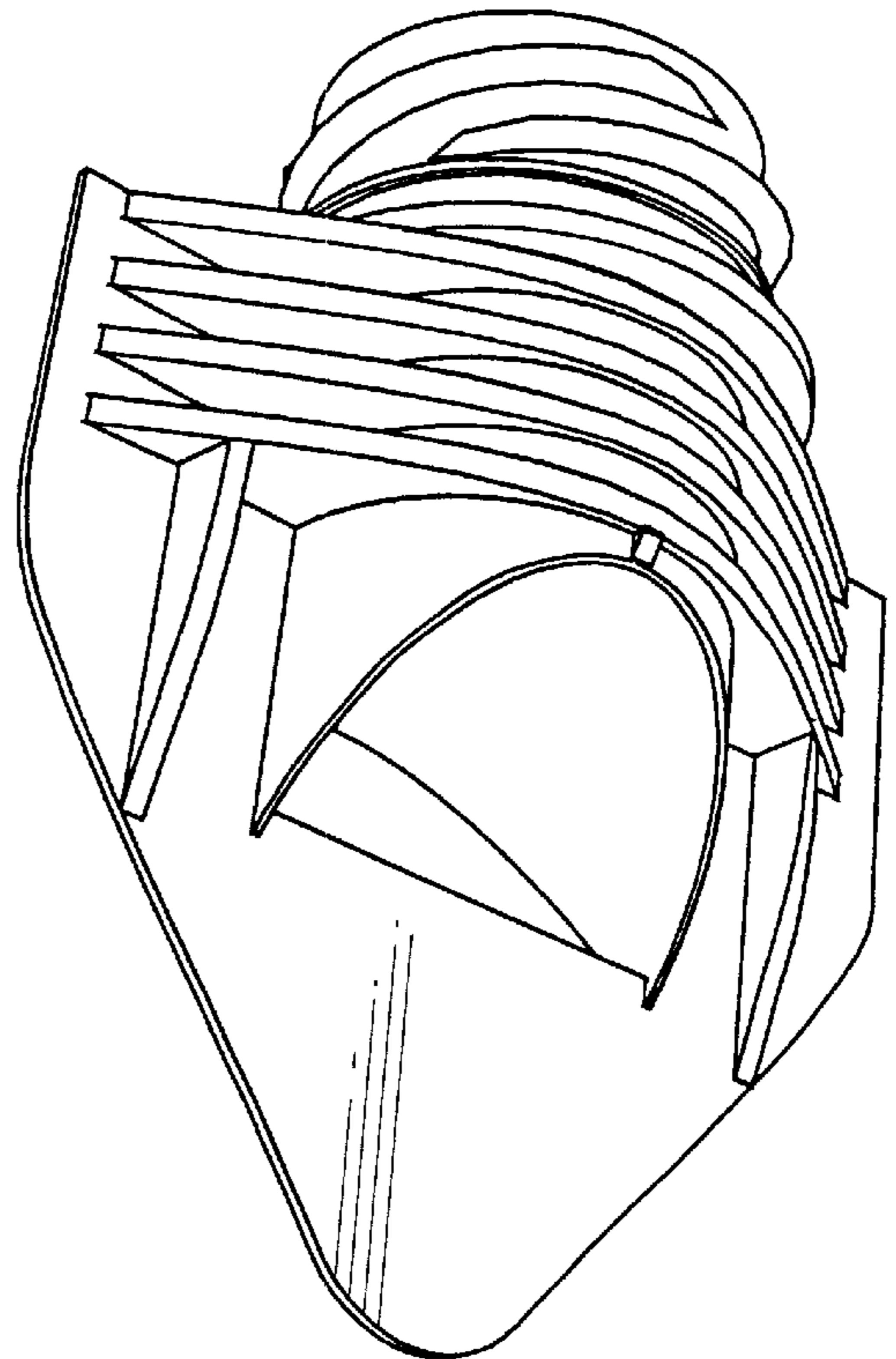
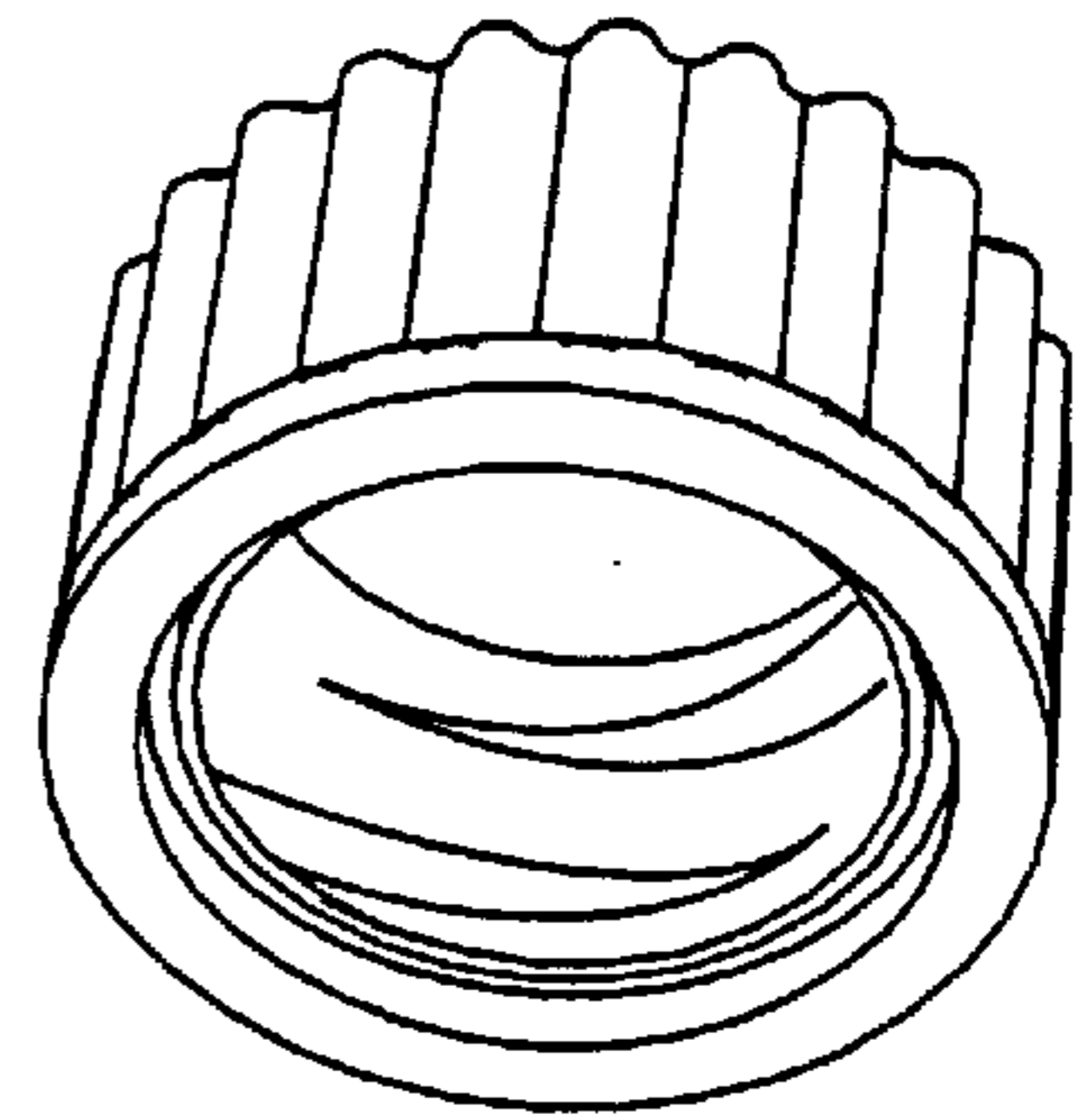


Figure 10

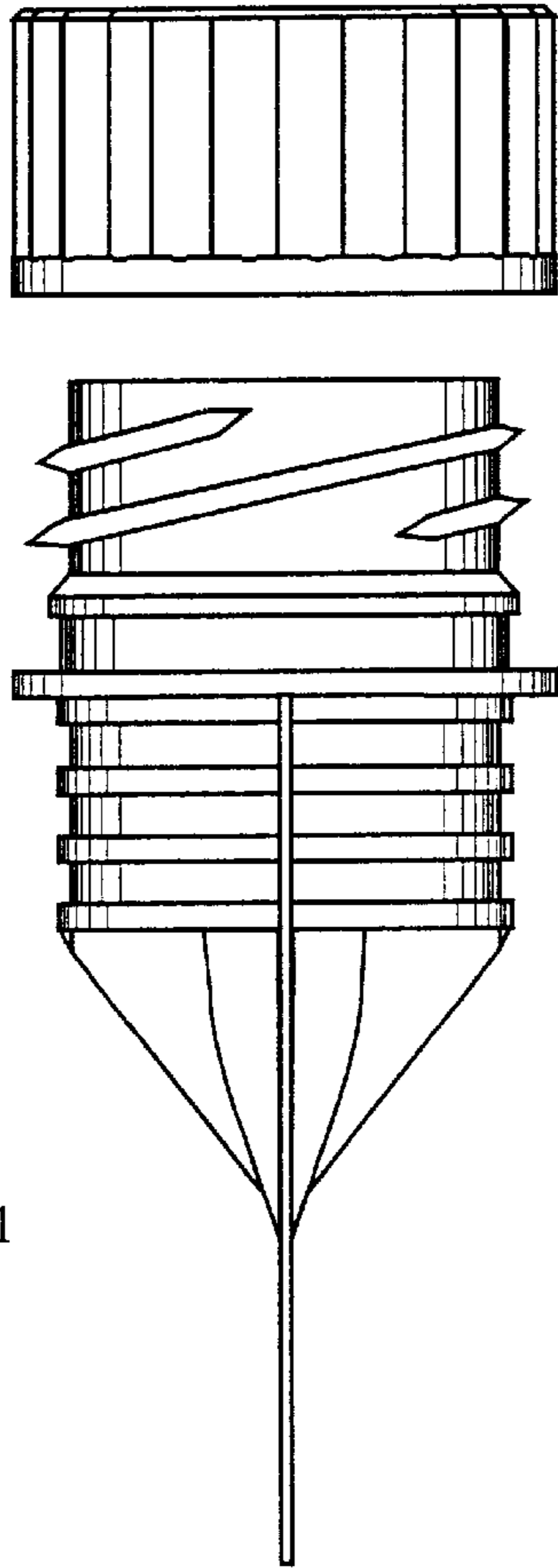


Figure 11

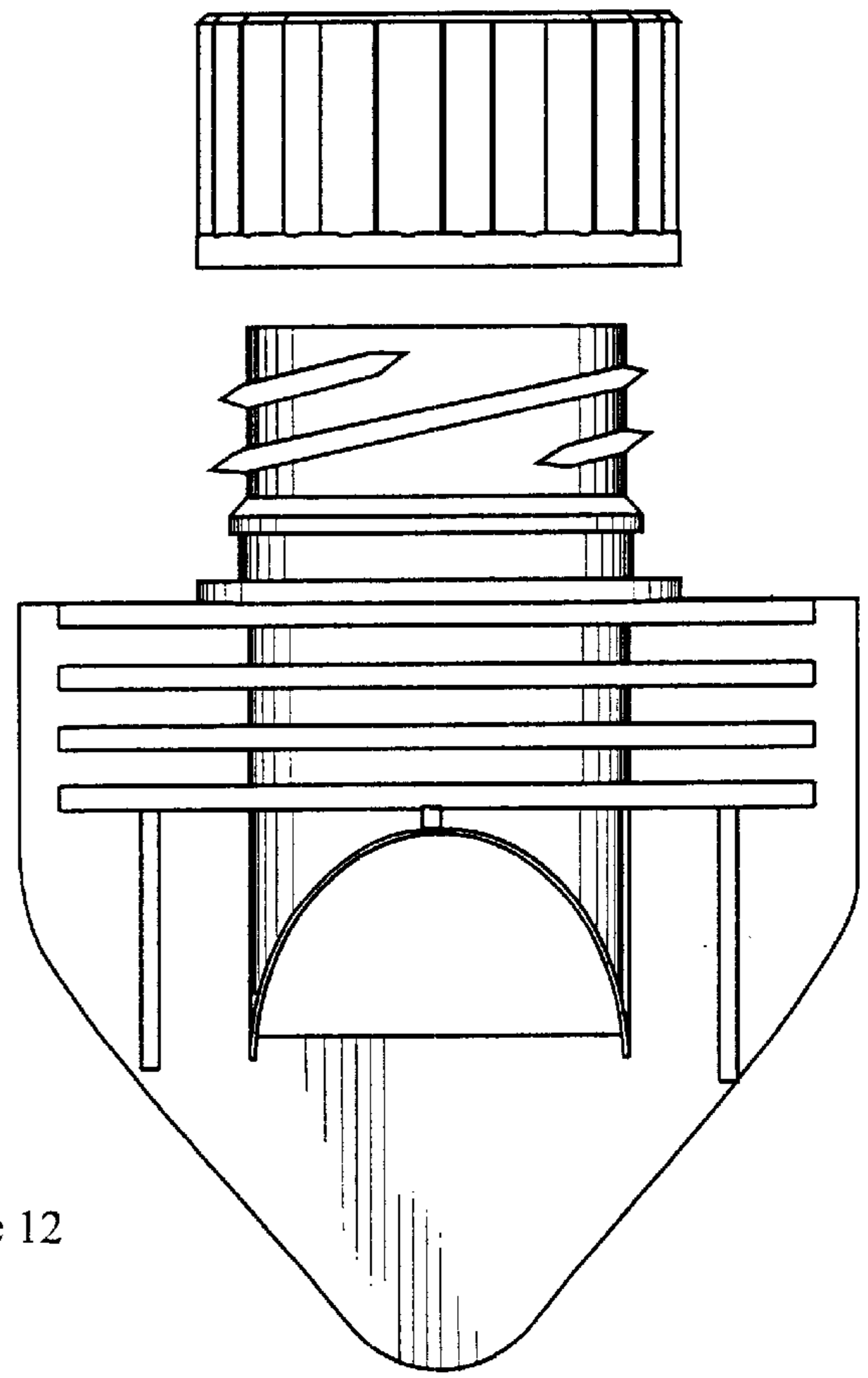


Figure 12

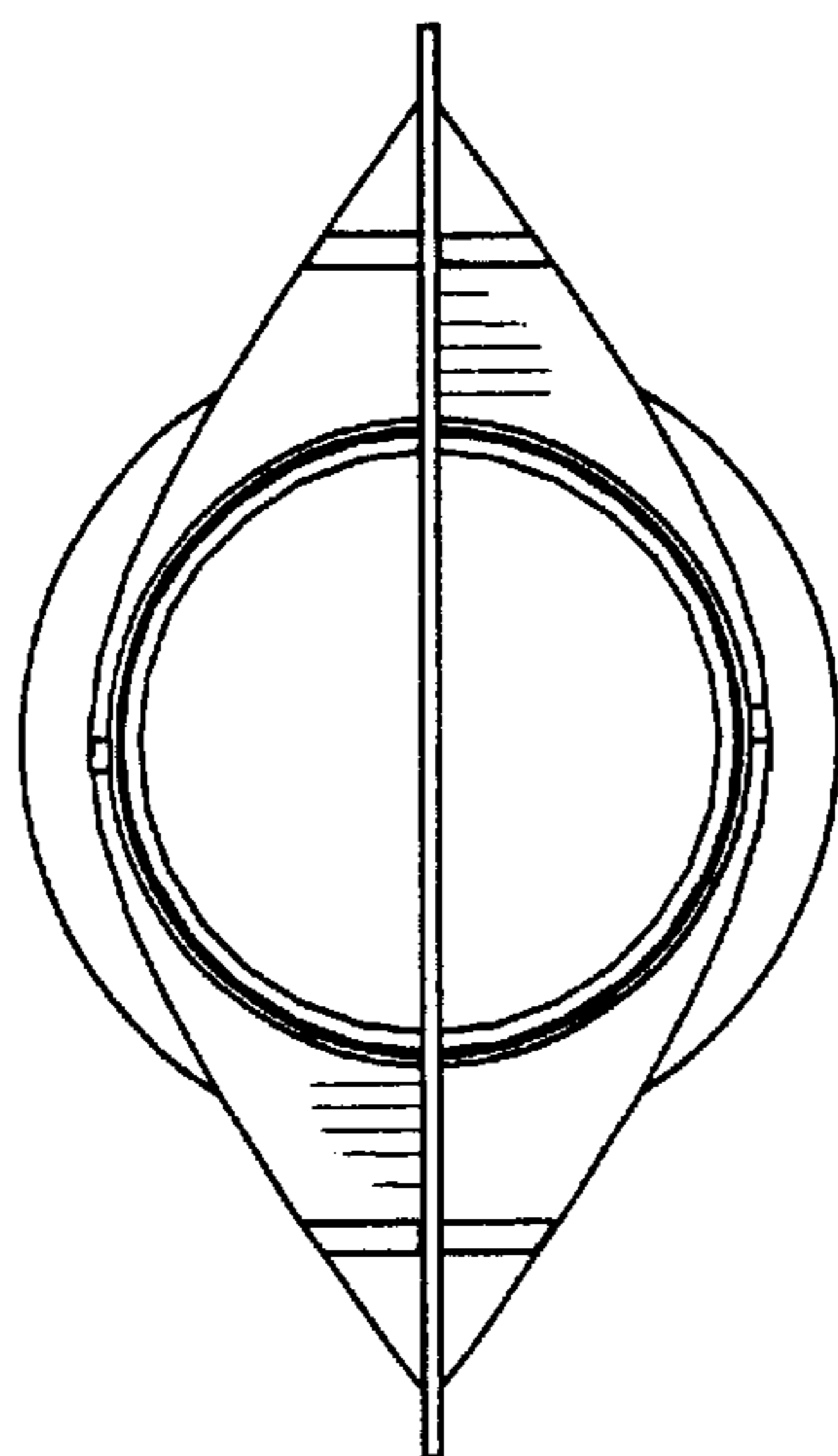


Figure 13

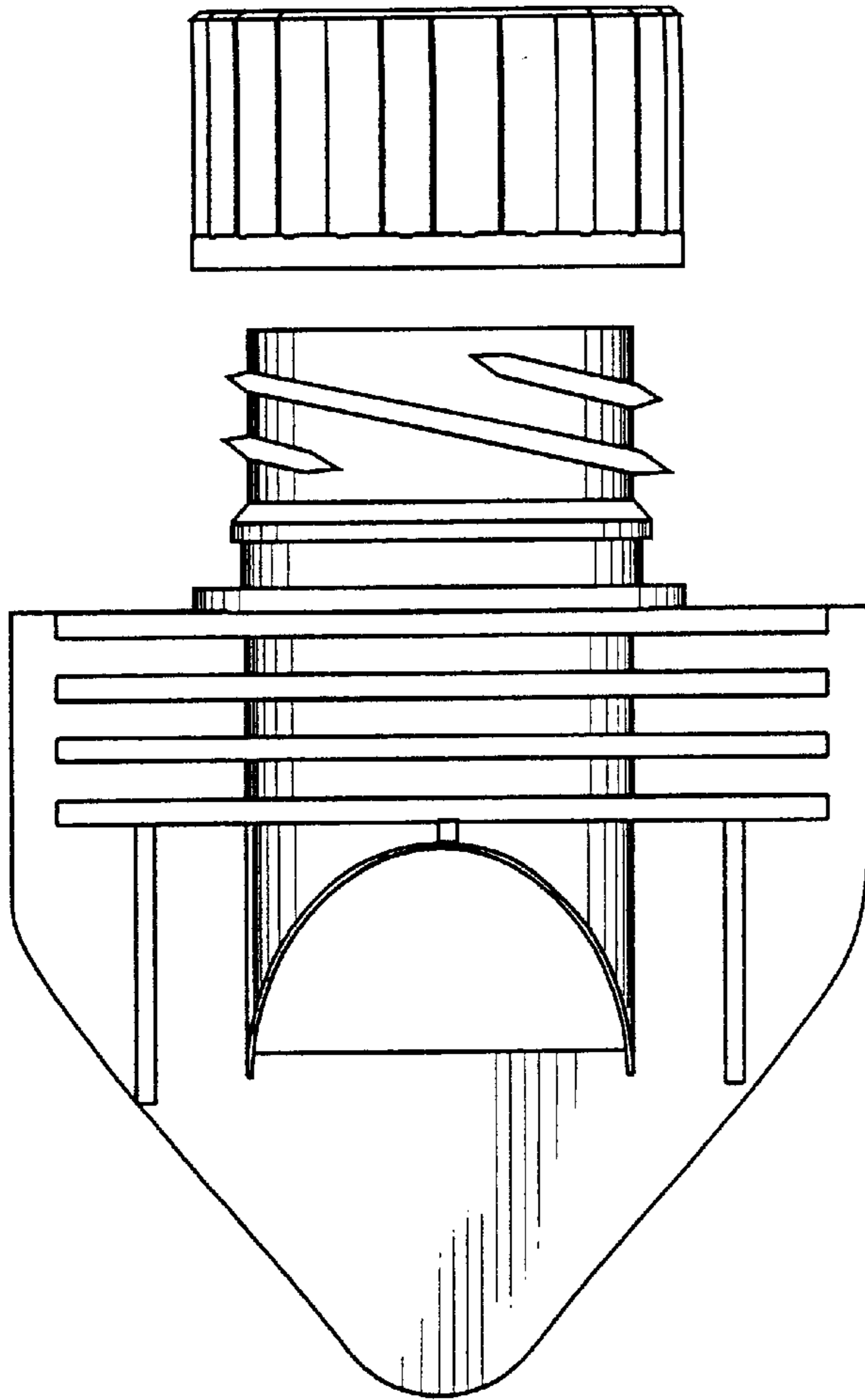


Figure 14

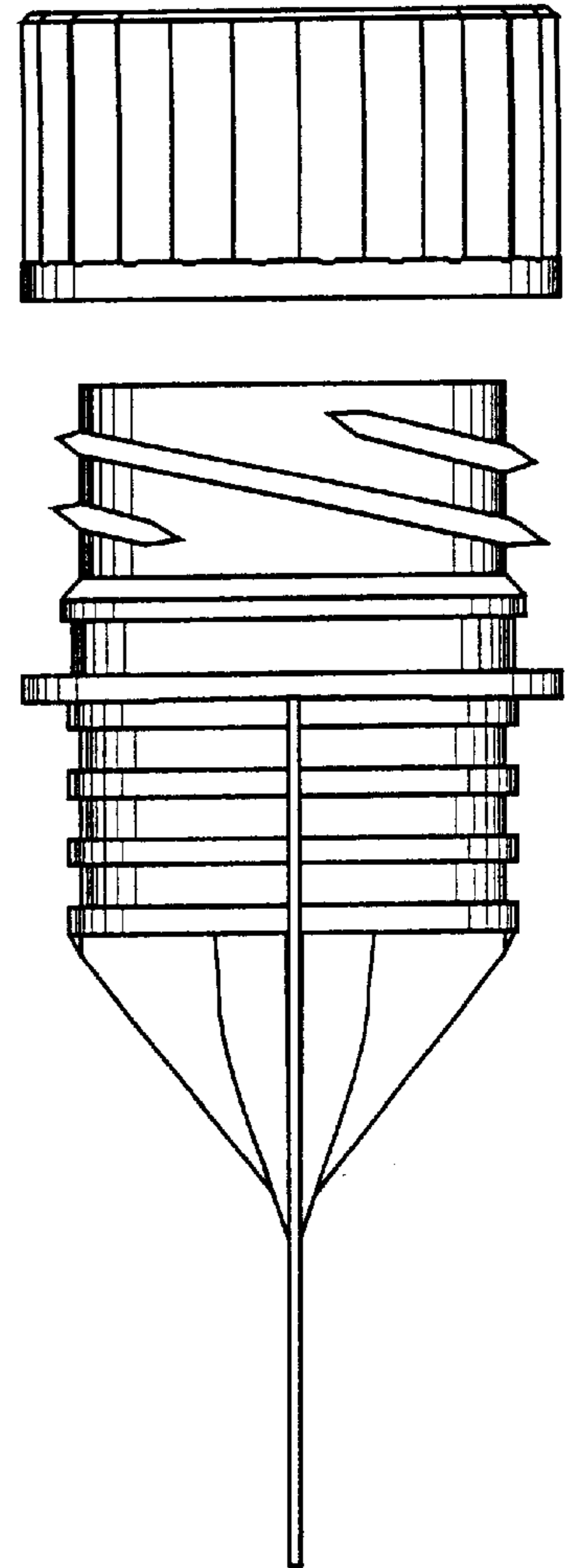


Figure 15

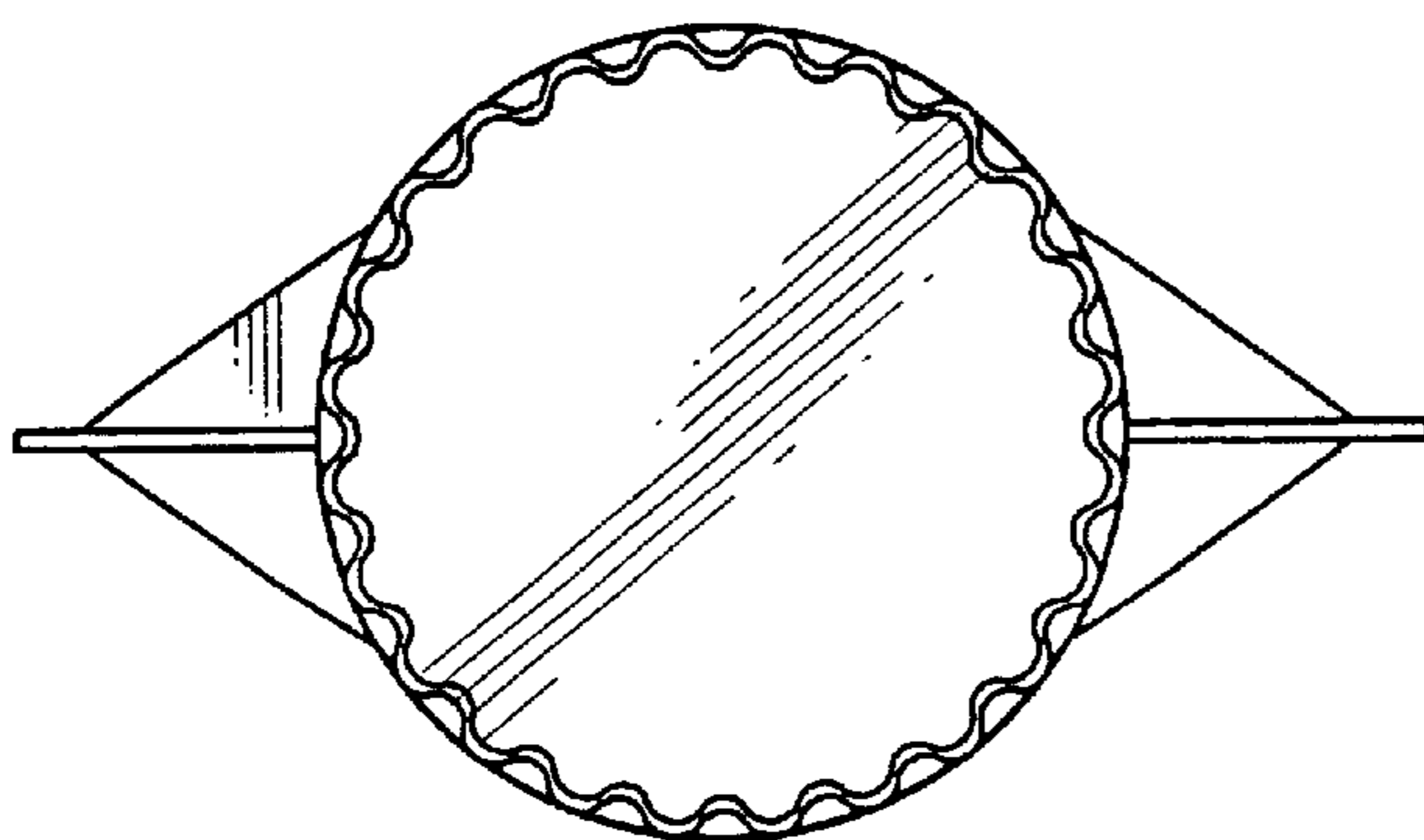


Figure 16